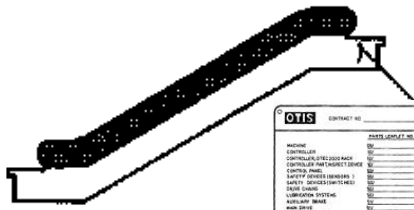


Link ESCALATOR INCLINE TRACK SYSTEM

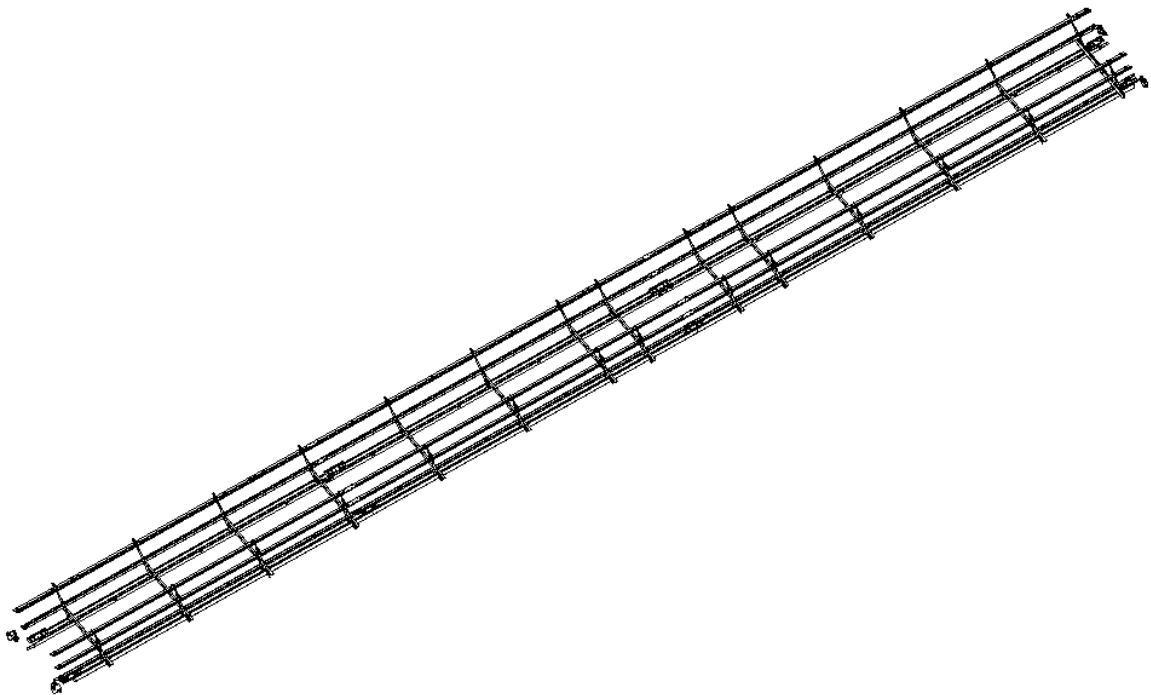
Spare Parts Leaflet

51-HAA26131AV

Mar. 27th, 2019 / Page 1 of 13



OTIS		CONTRACT NO.	TYPE	OTIS	
PARTS LIST				PARTS LIST	
NO.	DESCRIPTION	QTY	UNIT	NO.	DESCRIPTION
1	LINK	1	EA	1	LINK
2	LINK PIN	1	EA	2	LINK PIN
3	LINK ROLLER	1	EA	3	LINK ROLLER
4	LINK ROLLER PIN	1	EA	4	LINK ROLLER PIN
5	LINK ROLLER WHEEL	1	EA	5	LINK ROLLER WHEEL
6	LINK ROLLER WHEEL PIN	1	EA	6	LINK ROLLER WHEEL PIN
7	LINK ROLLER WHEEL RING	1	EA	7	LINK ROLLER WHEEL RING
8	LINK ROLLER WHEEL RING PIN	1	EA	8	LINK ROLLER WHEEL RING PIN
9	LINK ROLLER WHEEL RING RING	1	EA	9	LINK ROLLER WHEEL RING RING
10	LINK ROLLER WHEEL RING RING PIN	1	EA	10	LINK ROLLER WHEEL RING RING PIN
11	LINK ROLLER WHEEL RING RING RING	1	EA	11	LINK ROLLER WHEEL RING RING RING
12	LINK ROLLER WHEEL RING RING RING PIN	1	EA	12	LINK ROLLER WHEEL RING RING RING PIN
13	LINK ROLLER WHEEL RING RING RING RING	1	EA	13	LINK ROLLER WHEEL RING RING RING RING
14	LINK ROLLER WHEEL RING RING RING RING PIN	1	EA	14	LINK ROLLER WHEEL RING RING RING RING PIN
15	LINK ROLLER WHEEL RING RING RING RING RING	1	EA	15	LINK ROLLER WHEEL RING RING RING RING RING
16	LINK ROLLER WHEEL RING RING RING RING RING PIN	1	EA	16	LINK ROLLER WHEEL RING RING RING RING RING PIN
17	LINK ROLLER WHEEL RING RING RING RING RING RING	1	EA	17	LINK ROLLER WHEEL RING RING RING RING RING RING
18	LINK ROLLER WHEEL RING RING RING RING RING RING PIN	1	EA	18	LINK ROLLER WHEEL RING RING RING RING RING RING PIN
19	LINK ROLLER WHEEL RING RING RING RING RING RING RING	1	EA	19	LINK ROLLER WHEEL RING RING RING RING RING RING RING
20	LINK ROLLER WHEEL RING RING RING RING RING RING RING PIN	1	EA	20	LINK ROLLER WHEEL RING RING RING RING RING RING RING PIN
21	LINK ROLLER WHEEL RING RING RING RING RING RING RING RING	1	EA	21	LINK ROLLER WHEEL RING RING RING RING RING RING RING RING
22	LINK ROLLER WHEEL RING RING RING RING RING RING RING RING PIN	1	EA	22	LINK ROLLER WHEEL RING RING RING RING RING RING RING RING PIN
23	LINK ROLLER WHEEL RING RING RING RING RING RING RING RING RING	1	EA	23	LINK ROLLER WHEEL RING RING RING RING RING RING RING RING RING
24	LINK ROLLER WHEEL RING RING RING RING RING RING RING RING RING PIN	1	EA	24	LINK ROLLER WHEEL RING RING RING RING RING RING RING RING RING PIN
25	LINK ROLLER WHEEL RING RING RING RING RING RING RING RING RING RING	1	EA	25	LINK ROLLER WHEEL RING RING RING RING RING RING RING RING RING RING
26	LINK ROLLER WHEEL RING RING RING RING RING RING RING RING RING RING PIN	1	EA	26	LINK ROLLER WHEEL RING RING RING RING RING RING RING RING RING RING PIN
27	LINK ROLLER WHEEL RING RING RING RING RING RING RING RING RING RING RING	1	EA	27	LINK ROLLER WHEEL RING RING RING RING RING RING RING RING RING RING RING
28	LINK ROLLER WHEEL RING RING RING RING RING RING RING RING RING RING RING PIN	1	EA	28	LINK ROLLER WHEEL RING RING RING RING RING RING RING RING RING RING RING PIN
29	LINK ROLLER WHEEL RING RING RING RING RING RING RING RING RING RING RING RING	1	EA	29	LINK ROLLER WHEEL RING RING RING RING RING RING RING RING RING RING RING RING
30	LINK ROLLER WHEEL RING RING RING RING RING RING RING RING RING RING RING RING PIN	1	EA	30	LINK ROLLER WHEEL RING RING RING RING RING RING RING RING RING RING RING RING PIN



Unpublished Work—© Otis Elevator Co.

OTIS

This document does not contain technical information subject to EAR or ITAR

**ESCALATOR ENGINEERING
Otis Elevator Company
OTIS ENGINEERING CHINA
ESCALATOR**

Link ESCALATOR 51-HAA26131AV

History

Leaflet Description

Incline track system for Link (Common 508、Star、 Link)

Leaflet Revisions

Date Revised	Subject Matter Expert	Reason for Revision
Mar. 30, 2019	Wang, Tianci	Original document (CN No.: CNT1900819)
Feb. 10 th , 2023	Pan, Na	Revise (CN No.: CNT2300186)

Related Drawings

Drawing No.	Title	Drawing No.	Title
HAA26131AV	TRACK SYSTEM	HAA386CES	INCLINE TRACK BRACKET
HAA386KT	PLATE	HAA386KV	PLATE
HAA272LS	PLATE	HAA483FL	TRACK
HAA483FM	TRACK	HAA483K	TRACK
HAA483L	TRACK	HAA483F	TRACK

Related Documents

Document ID	Title	Document ID	Title
HE0503D	ODS - INCLINE TRACK SYSTEM	HAA483FM	EBOM - TRACK
HAA483FL	EBOM - TRACK	HAA483K	EBOM - TRACK
HAA483L	EBOM - TRACK		

Subject Matter Expert

Name	Department
Wang, Tianci	SIT-HANGZHOU

About Spare Parts Leaflets...

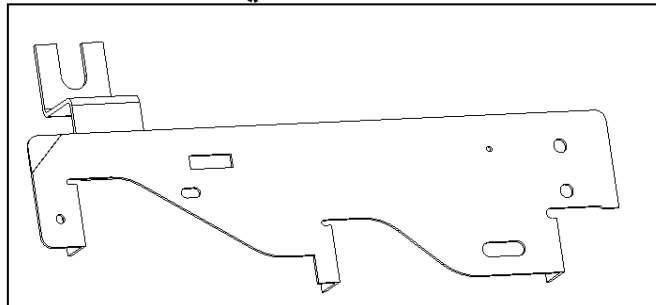
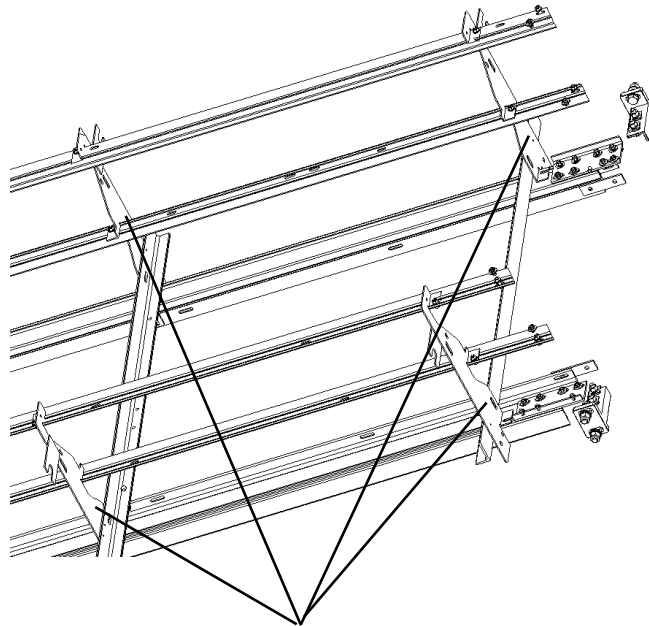
This document lists the lowest replaceable units (LRUs) for the standard version of the product. The LRUs are chosen by a team of Otis associates representing engineering and manufacturing.

While goal of this document is to make parts identification as easy as possible, the document cannot be all-inclusive. Elevator and escalator contracts classified as "special" or "custom" are not addressed here. For such contracts, please refer to specified information, the contract folder, TIPs, Field Education Articles, Construction Letters, etc. for further information.

If you have any suggestions about this document, please contact the subject matter expert listed on this page.

**LINK ESCALATOR
INCLINE TRACK SYSTEM**

**Spare Parts Leaflet
51-HAA26131AV**

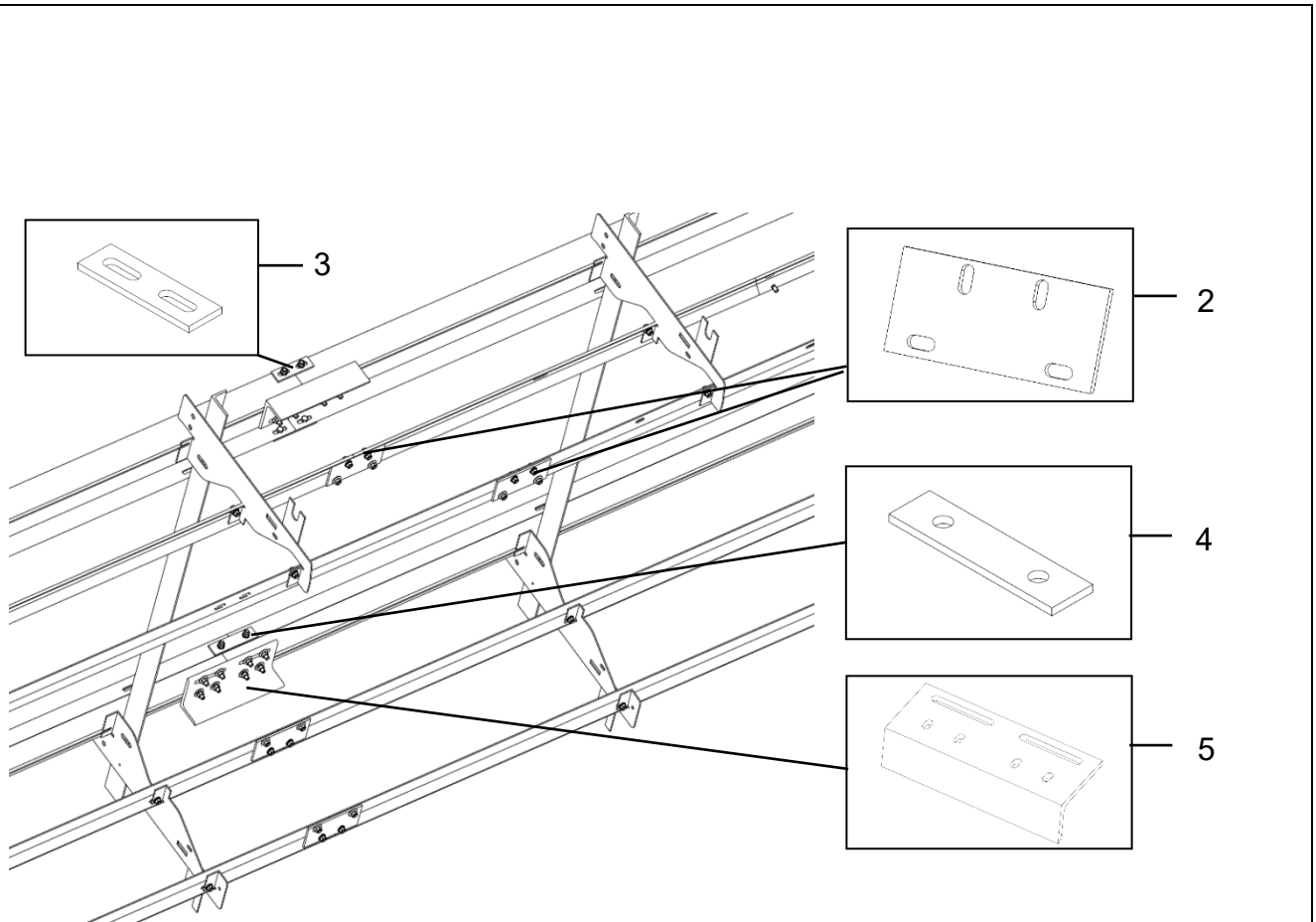


1

		HAA26131AV
REF. No.	PART No.	DESCRIPTION
1	HAA386CES1	TRACK BRACKET, INDOOR, LEFT SIDE
	HAA386CES2	TRACK BRACKET, INDOOR, RIGHT SIDE
	HAA386CES3	TRACK BRACKET, OUTDOOR, LEFT SIDE
	HAA386CES4	TRACK BRACKET, OUTDOOR, RIGHT SIDE
	HAA386CES5	TRACK BRACKET, INDOOR, LEFT SIDE
	HAA386CES6	TRACK BRACKET, INDOOR, RIGHT SIDE
	HAA386CES7	TRACK BRACKET, OUTDOOR, LEFT SIDE
	HAA386CES8	TRACK BRACKET, OUTDOOR, RIGHT SIDE

LINK ESCALATOR UPPER TRACK SYSTEM

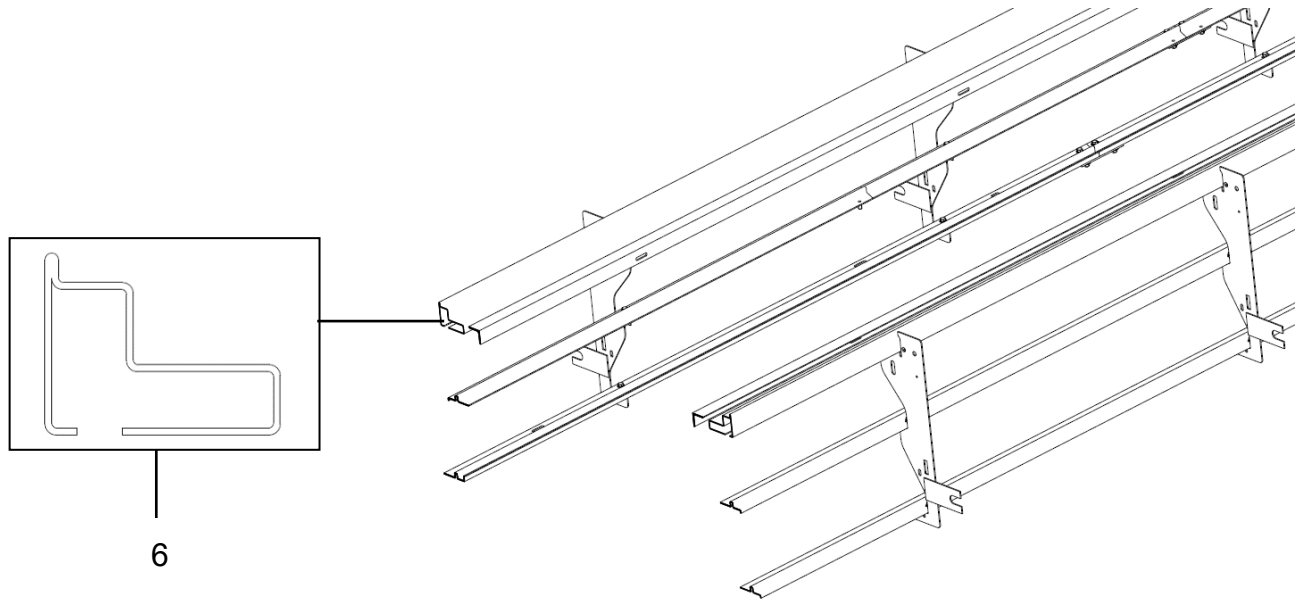
Spare Parts Leaflet
51-HAA26131AV



HAA26131AV		
REF. No.	PART No.	DESCRIPTION
2	HAA386KT1	STEP ROLLER TRACK CONNECTING PLATE, INDOOR
	HAA386KT2	STEP ROLLER TRACK CONNECTING PLATE, OUTDOOR
3	HAA386KV103	MAIN TRACK SIDE PLACE CONNECTION PLATE, INDOOR
	HAA386KV104	MAIN TRACK SIDE PLACE CONNECTION PLATE, OUTDOOR
4	HAA386KV101	UPTHRUST TRACK CONNECTION PLATE, INDOOR
	HAA386KV102	UPTHRUST TRACK CONNECTION PLATE, OUTDOOR
5	HAA272LS105	MAIN TRACK CONNECTION PLATE, INCLINATION 30° , INDOOR
	HAA272LS106	MAIN TRACK CONNECTION PLATE, INCLINATION 30° , OUTDOOR
	HAA272LS107	MAIN TRACK CONNECTION PLATE, INCLINATION 35° , INDOOR
	HAA272LS108	MAIN TRACK CONNECTION PLATE, INCLINATION 35° , OUTDOOR

LINK ESCALATOR INCLINE TRACK SYSTEM

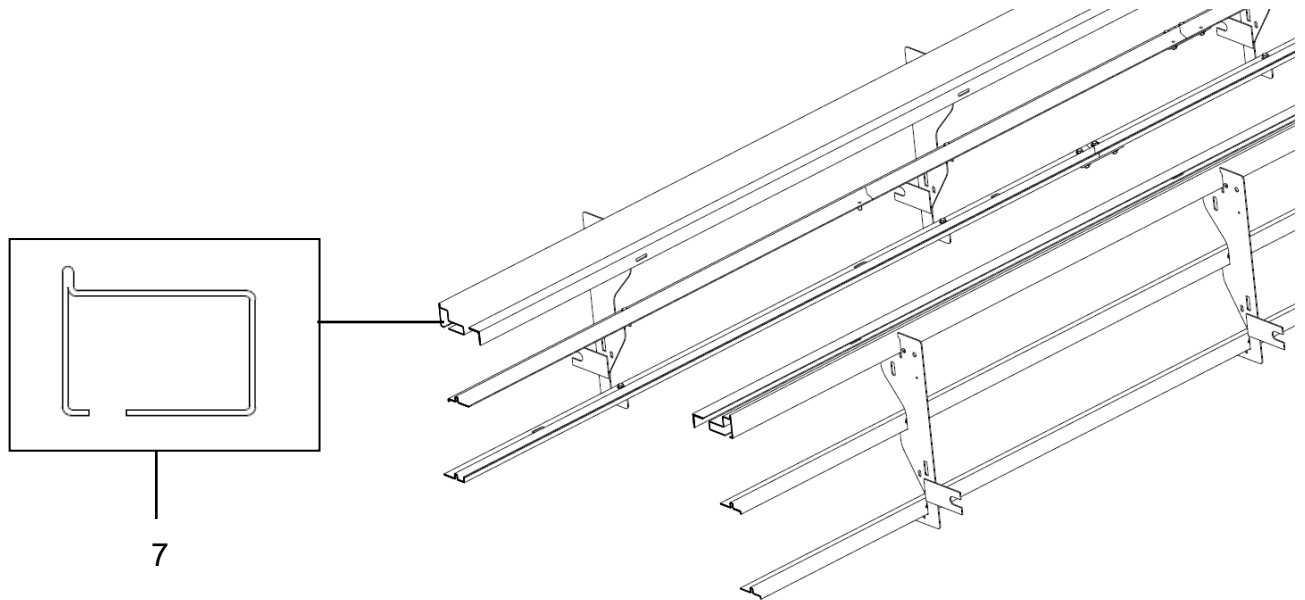
Spare Parts Leaflet
51-HAA26131AV



		HAA26131AV
REF. No.	PART No.	DESCRIPTION
6	HAA483FL3	CHAIN ROLLER TRACK, L=4048MM, INCLINATION 30°, PASSENGER
	HAA483FL4	CHAIN ROLLER TRACK, L=3060MM, INCLINATION 30°, PASSENGER
	HAA483FL5	CHAIN ROLLER TRACK, L=3060MM, INCLINATION 30°, PASSENGER, LEFT SIDE
	HAA483FL6	CHAIN ROLLER TRACK, L=3060MM, INCLINATION 30°, PASSENGER, RIGHT SIDE
	HAA483FL993	CHAIN ROLLER TRACK, INCLINATION 30°, PASSENGER, LEFT SIDE
	HAA483FL992	CHAIN ROLLER TRACK, INCLINATION 30°, PASSENGER, LEFT SIDE
	HAA483FL991	CHAIN ROLLER TRACK, INCLINATION 30°, PASSENGER
	HAA483FL990	CHAIN ROLLER TRACK, INCLINATION 30°, PASSENGER
	HAA483FL989	CHAIN ROLLER TRACK, INCLINATION 30°, PASSENGER, RIGHT SIDE
	HAA483FL988	CHAIN ROLLER TRACK, INCLINATION 30°, PASSENGER
	HAA483FL987	CHAIN ROLLER TRACK, INCLINATION 30°, PASSENGER, RIGHT SIDE
	HAA483FL986	CHAIN ROLLER TRACK, INCLINATION 30°, PASSENGER, LEFT SIDE
	HAA483FL985	CHAIN ROLLER TRACK, INCLINATION 30°, PASSENGER, RIGHT SIDE
	HAA483FL984	CHAIN ROLLER TRACK, INCLINATION 30°, PASSENGER
	HAA483FL983	CHAIN ROLLER TRACK, INCLINATION 30°, PASSENGER, RIGHT SIDE
HAA483FL982	CHAIN ROLLER TRACK, INCLINATION 30°, PASSENGER, LEFT SIDE	

**LINK ESCALATOR
UPPER TRACK SYSTEM**

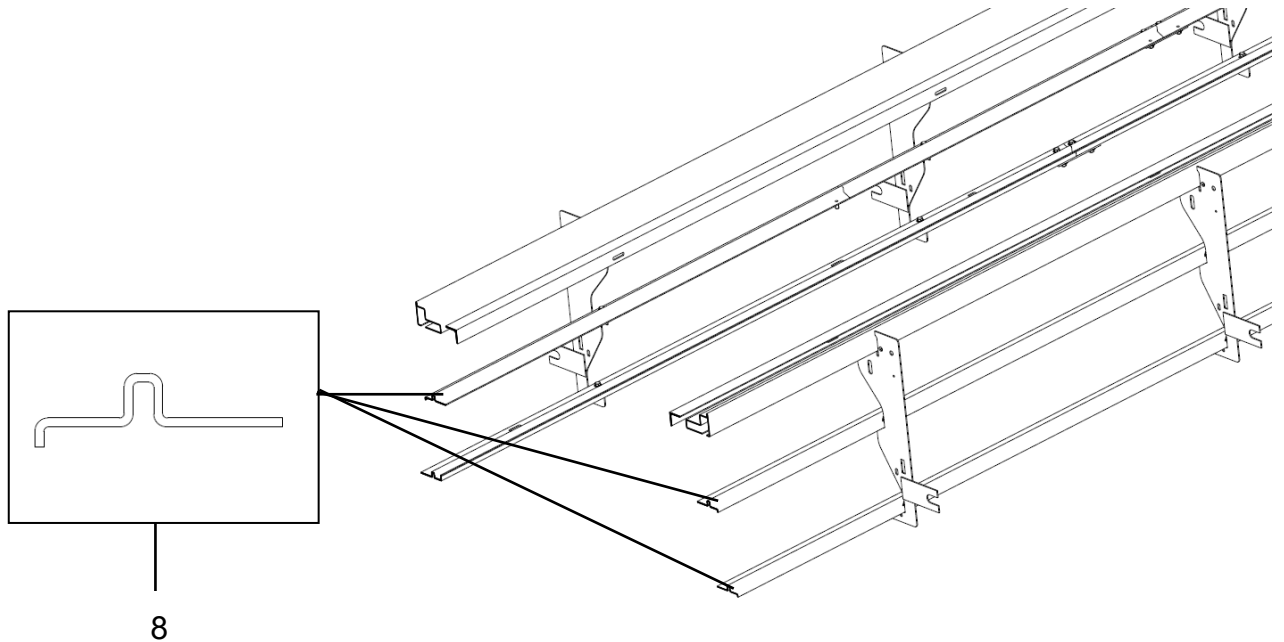
**Spare Parts Leaflet
51-HAA26131AV**



		HAA26131AV
REF. No.	PART No.	DESCRIPTION
7	HAA483FM1	CHAIN ROLLER TRACK, L=3060MM, INCLINATION 35°, PASSENGER, LEFT SIDE
	HAA483FM2	CHAIN ROLLER TRACK, L=3060MM, INCLINATION 35°, PASSENGER, RIGHT SIDE
	HAA483FM995	CHAIN ROLLER TRACK, INCLINATION 35°, PASSENGER
	HAA483FM994	CHAIN ROLLER TRACK, INCLINATION 35°, PASSENGER, LEFT SIDE
	HAA483FM993	CHAIN ROLLER TRACK, INCLINATION 35°, PASSENGER, RIGHT SIDE
	HAA483FM992	CHAIN ROLLER TRACK, INCLINATION 35°, PASSENGER, LEFT SIDE
	HAA483FM991	CHAIN ROLLER TRACK, INCLINATION 35°, PASSENGER, RIGHT SIDE
	HAA483FM990	CHAIN ROLLER TRACK, INCLINATION 35°, PASSENGER
	HAA483FM989	CHAIN ROLLER TRACK, INCLINATION 35°, PASSENGER, LEFT SIDE
	HAA483FM988	CHAIN ROLLER TRACK, INCLINATION 35°, PASSENGER, RIGHT SIDE

LINK ESCALATOR INCLINE TRACK SYSTEM

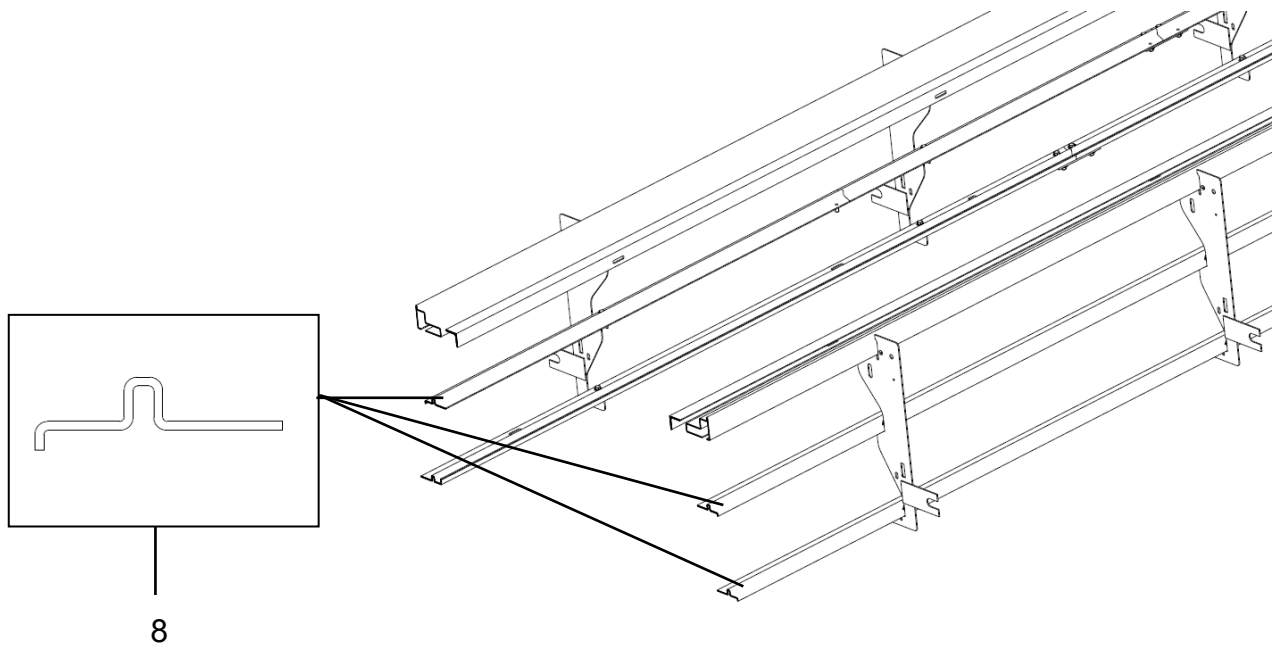
Spare Parts Leaflet
51-HAA26131AV



		HAA26131AV
REF. No.	PART No.	DESCRIPTION
8	HAA483K5	STEP ROLLER TRACK, L=4048MM, RETURN, LEFT SIDE
	HAA483K8	STEP ROLLER TRACK, L=3060MM, RETURN, LEFT SIDE
	HAA483K12	STEP ROLLER TRACK, L=3043MM, RETURN, LEFT SIDE
	HAA483K973	STEP ROLLER TRACK, RETURN, LEFT SIDE
	HAA483K971	STEP ROLLER TRACK, RETURN, LEFT SIDE
	HAA483K958	STEP ROLLER TRACK, RETURN, LEFT SIDE
	HAA483K956	STEP ROLLER TRACK, RETURN, LEFT SIDE
	HAA483K950	STEP ROLLER TRACK, RETURN, LEFT SIDE
	HAA483K944	STEP ROLLER TRACK, RETURN, LEFT SIDE
	HAA483K943	STEP ROLLER TRACK, RETURN, LEFT SIDE
	HAA483K940	STEP ROLLER TRACK, RETURN, LEFT SIDE
	HAA483K939	STEP ROLLER TRACK, RETURN, LEFT SIDE
	HAA483K924	STEP ROLLER TRACK, RETURN, LEFT SIDE

**LINK ESCALATOR
UPPER TRACK SYSTEM**

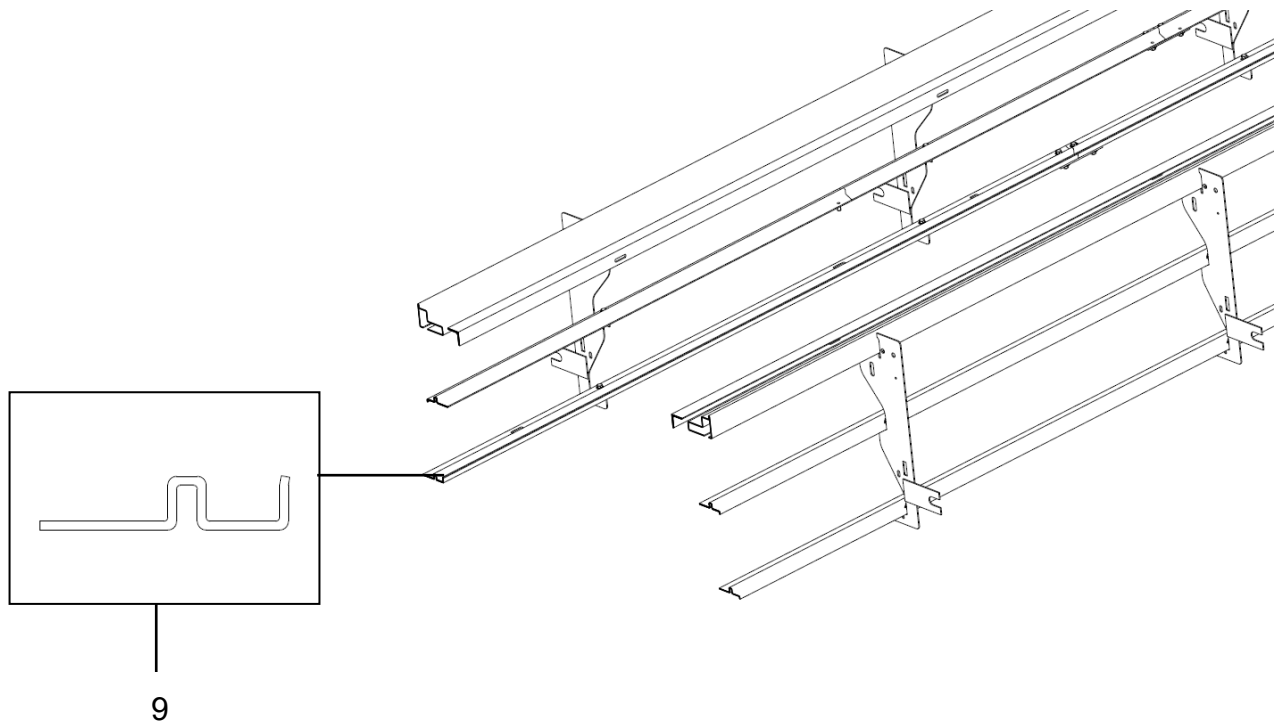
**Spare Parts Leaflet
51-HAA26131AV**



		HAA26131AV
REF. No.	PART No.	DESCRIPTION
8	HAA483K6	STEP/ CHAIN ROLLER TRACK, L=4048MM, RETURN, RIGHT SIDE
	HAA483K9	STEP/ CHAIN ROLLER TRACK, L=3060MM, RETURN, RIGHT SIDE
	HAA483K10	CHAIN ROLLER TRACK, L=3060MM, RETURN, RIGHT SIDE
	HAA483K11	STEP/ CHAIN ROLLER TRACK, L=3043MM, RETURN, RIGHT SIDE
	HAA483K972	STEP/ CHAIN ROLLER TRACK, RETURN, RIGHT SIDE
	HAA483K970	STEP/ CHAIN ROLLER TRACK, RETURN, RIGHT SIDE
	HAA483K957	STEP/ CHAIN ROLLER TRACK, RETURN, RIGHT SIDE
	HAA483K955	STEP/ CHAIN ROLLER TRACK, RETURN, RIGHT SIDE
	HAA483K949	STEP/ CHAIN ROLLER TRACK, RETURN, RIGHT SIDE
	HAA483K942	STEP/ CHAIN ROLLER TRACK, RETURN, RIGHT SIDE
	HAA483K941	STEP/ CHAIN ROLLER TRACK, RETURN, RIGHT SIDE
	HAA483K938	STEP/ CHAIN ROLLER TRACK, RETURN, RIGHT SIDE
	HAA483K937	STEP/ CHAIN ROLLER TRACK, RETURN, RIGHT SIDE
	HAA483K925	STEP/ CHAIN ROLLER TRACK, RETURN, RIGHT SIDE

LINK ESCALATOR INCLINE TRACK SYSTEM

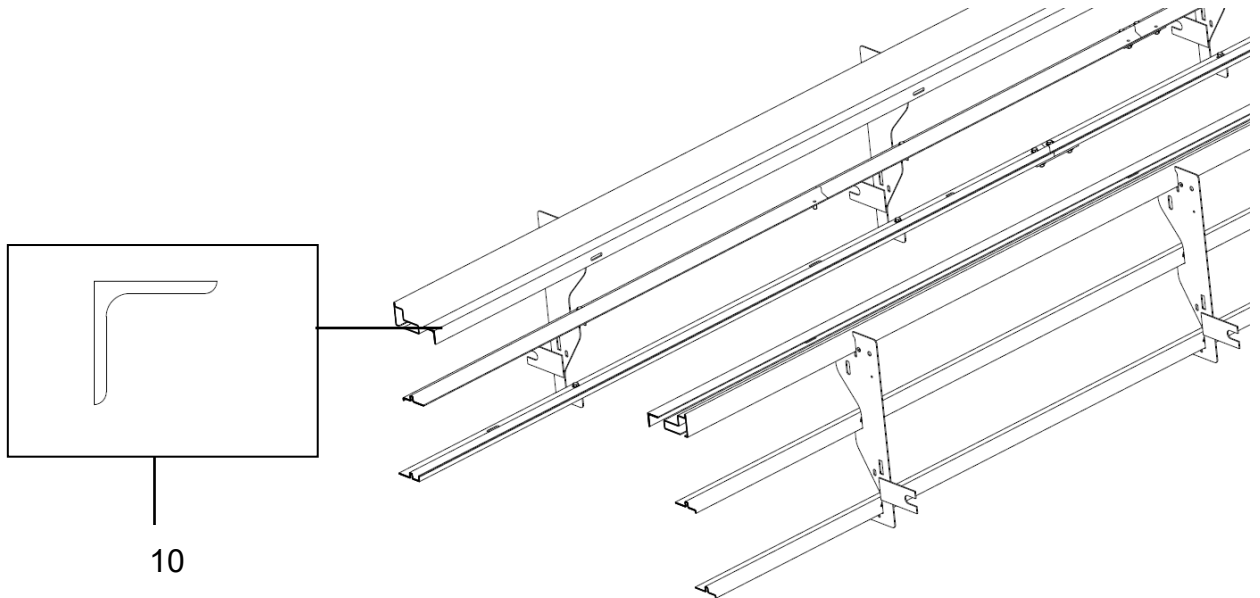
Spare Parts Leaflet
51-HAA26131AV



		HAA26131AV
REF. No.	PART No.	DESCRIPTION
9	HAA483L3	CHAIN ROLLER TRACK, L=4048MM, RETURN, LEFT SIDE
	HAA483L4	CHAIN ROLLER TRACK, L=3060MM, RETURN, LEFT SIDE
	HAA483L5	CHAIN ROLLER TRACK, L=3043MM, RETURN, LEFT SIDE
	HAA483L971	CHAIN ROLLER TRACK, RETURN, LEFT SIDE
	HAA483L986	CHAIN ROLLER TRACK, RETURN, LEFT SIDE
	HAA483L985	CHAIN ROLLER TRACK, RETURN, LEFT SIDE
	HAA483L984	CHAIN ROLLER TRACK, RETURN, LEFT SIDE
	HAA483L983	CHAIN ROLLER TRACK, RETURN, LEFT SIDE
	HAA483L980	CHAIN ROLLER TRACK, RETURN, LEFT SIDE
	HAA483L977	CHAIN ROLLER TRACK, RETURN, LEFT SIDE
	HAA483L976	CHAIN ROLLER TRACK, RETURN, LEFT SIDE
	HAA483L975	CHAIN ROLLER TRACK, RETURN, LEFT SIDE
	HAA483L974	CHAIN ROLLER TRACK, RETURN, LEFT SIDE

**LINK ESCALATOR
UPPER TRACK SYSTEM**

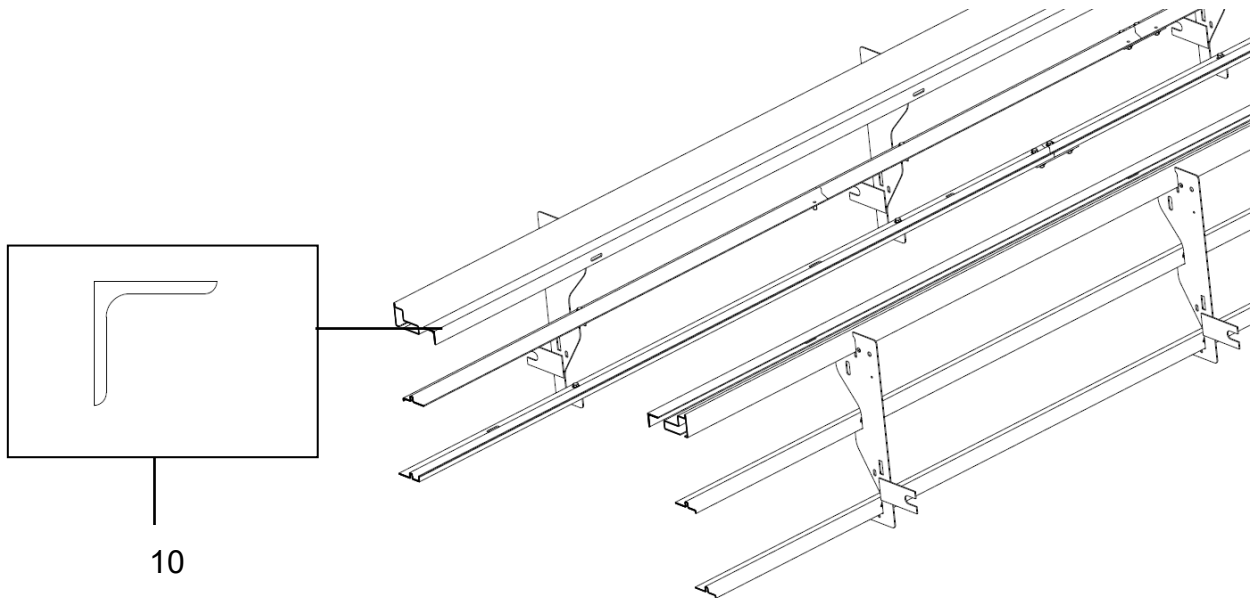
**Spare Parts Leaflet
51-HAA26131AV**



		HAA26131AV
REF. No.	PART No.	DESCRIPTION
10	HAA483F2	UPTRUSH TRACK, L=3004MM, INDOOR, LEFT SIDE
	HAA483F4	UPTRUSH TRACK, L=3004MM, OUTDOOR, LEFT SIDE
	HAA483F5	UPTRUSH TRACK, L=4018MM, INDOOR, LEFT SIDE
	HAA483F6	UPTRUSH TRACK, L=4018MM, OUTDOOR, LEFT SIDE
	HAA483F13	UPTRUSH TRACK, L=2987MM, INDOOR, LEFT SIDE
	HAA483F14	UPTRUSH TRACK, L=2987MM, OUTDOOR, LEFT SIDE
	HAA483F999	UPTRUSH TRACK, INDOOR, LEFT SIDE
	HAA483F996	UPTRUSH TRACK, INDOOR, LEFT SIDE
	HAA483F995	UPTRUSH TRACK, INDOOR, LEFT SIDE
	HAA483F990	UPTRUSH TRACK, OUTDOOR, LEFT SIDE
	HAA483F974	UPTRUSH TRACK, OUTDOOR, LEFT SIDE
	HAA483F973	UPTRUSH TRACK, OUTDOOR, LEFT SIDE
	HAA483F968	UPTRUSH TRACK, INDOOR, LEFT SIDE

LINK ESCALATOR INCLINE TRACK SYSTEM

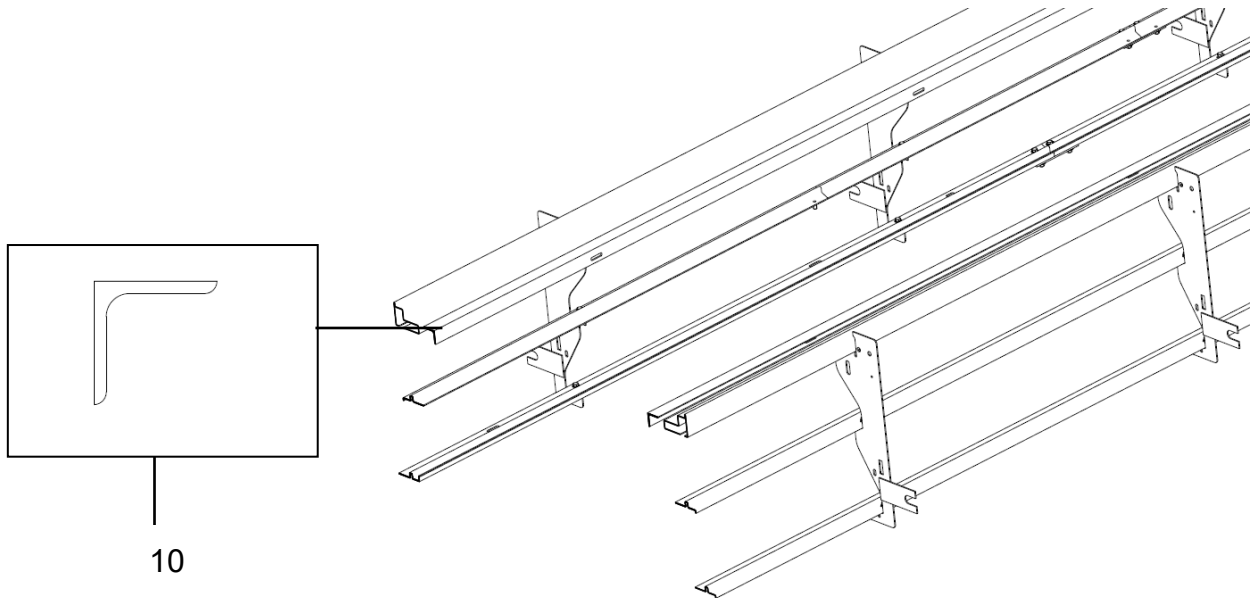
Spare Parts Leaflet
51-HAA26131AV



		HAA26131AV
REF. No.	PART No.	DESCRIPTION
10	HAA483F967	UPTRUSH TRACK, INDOOR, LEFT SIDE
	HAA483F966	UPTRUSH TRACK, OUTDOOR, LEFT SIDE
	HAA483F965	UPTRUSH TRACK, OUTDOOR, LEFT SIDE
	HAA483F964	UPTRUSH TRACK, INDOOR, LEFT SIDE
	HAA483F963	UPTRUSH TRACK, OUTDOOR, LEFT SIDE
	HAA483F962	UPTRUSH TRACK, INDOOR, LEFT SIDE
	HAA483F961	UPTRUSH TRACK, OUTDOOR, LEFT SIDE
	HAA483F960	UPTRUSH TRACK, INDOOR, LEFT SIDE
	HAA483F959	UPTRUSH TRACK, OUTDOOR, LEFT SIDE
	HAA483F958	UPTRUSH TRACK, INDOOR, LEFT SIDE
	HAA483F957	UPTRUSH TRACK, OUTDOOR, LEFT SIDE
	HAA483F939	UPTRUSH TRACK, INDOOR, LEFT SIDE
	HAA483F938	UPTRUSH TRACK, OUTDOOR, LEFT SIDE

**LINK ESCALATOR
UPPER TRACK SYSTEM**

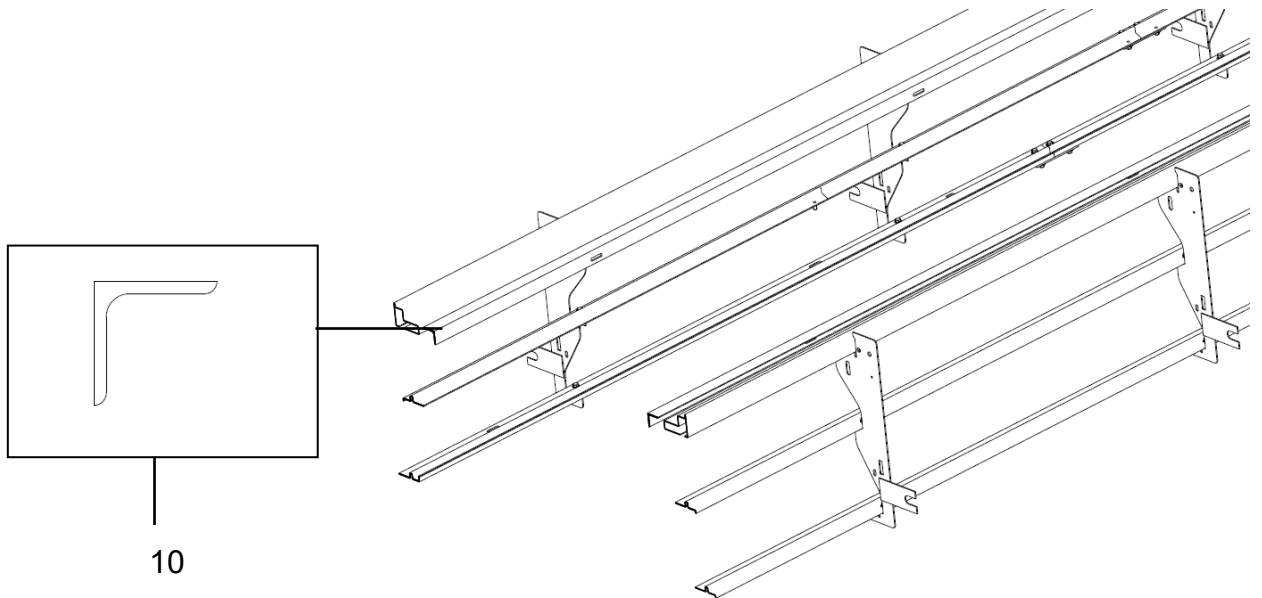
**Spare Parts Leaflet
51-HAA26131AV**



		HAA26131AV
REF. No.	PART No.	DESCRIPTION
10	HAA483F8	UPTRUSH TRACK, L=3004MM, INDOOR, RIGHT SIDE
	HAA483F10	UPTRUSH TRACK, L=3004MM, OUTDOOR, RIGHT SIDE
	HAA483F11	UPTRUSH TRACK, L=4018MM, INDOOR, RIGHT SIDE
	HAA483F12	UPTRUSH TRACK, L=4018MM, OUTDOOR, RIGHT SIDE
	HAA483F15	UPTRUSH TRACK, L=2987MM, INDOOR, RIGHT SIDE
	HAA483F16	UPTRUSH TRACK, L=2987MM, OUTDOOR, RIGHT SIDE
	HAA483F989	UPTRUSH TRACK, INDOOR, RIGHT SIDE
	HAA483F986	UPTRUSH TRACK, INDOOR, RIGHT SIDE
	HAA483F985	UPTRUSH TRACK, INDOOR, RIGHT SIDE
	HAA483F978	UPTRUSH TRACK, OUTDOOR, RIGHT SIDE
	HAA483F975	UPTRUSH TRACK, OUTDOOR, RIGHT SIDE
	HAA483F956	UPTRUSH TRACK, OUTDOOR, RIGHT SIDE
	HAA483F951	UPTRUSH TRACK, INDOOR, RIGHT SIDE

LINK ESCALATOR INCLINE TRACK SYSTEM

Spare Parts Leaflet
51-HAA26131AV



		HAA26131AV
REF. No.	PART No.	DESCRIPTION
10	HAA483F950	UPTRUSH TRACK, INDOOR, RIGHT SIDE
	HAA483F949	UPTRUSH TRACK, OUTDOOR, RIGHT SIDE
	HAA483F948	UPTRUSH TRACK, OUTDOOR, RIGHT SIDE
	HAA483F947	UPTRUSH TRACK, INDOOR, RIGHT SIDE
	HAA483F946	UPTRUSH TRACK, OUTDOOR, RIGHT SIDE
	HAA483F945	UPTRUSH TRACK, INDOOR, RIGHT SIDE
	HAA483F944	UPTRUSH TRACK, OUTDOOR, RIGHT SIDE
	HAA483F943	UPTRUSH TRACK, INDOOR, RIGHT SIDE
	HAA483F942	UPTRUSH TRACK, OUTDOOR, RIGHT SIDE
	HAA483F941	UPTRUSH TRACK, INDOOR, RIGHT SIDE
	HAA483F940	UPTRUSH TRACK, OUTDOOR, RIGHT SIDE
	HAA483F937	UPTRUSH TRACK, INDOOR, RIGHT SIDE
	HAA483F936	UPTRUSH TRACK, OUTDOOR, RIGHT SIDE