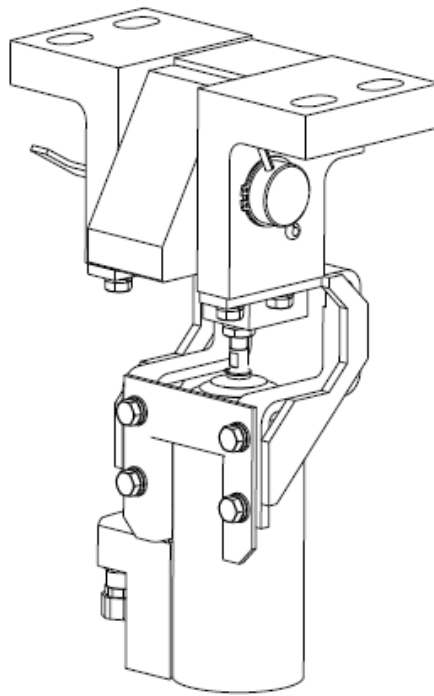
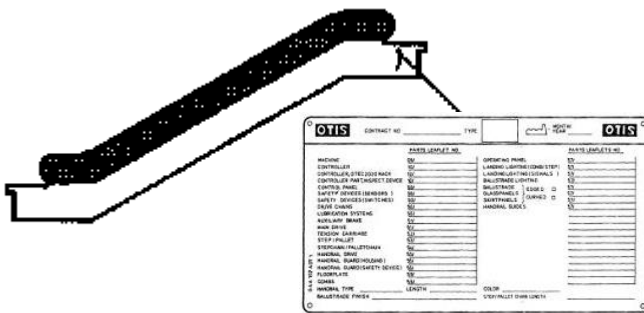


# ESCALATOR EL. MAGNETICAL AUXILIARY BRAKE

Spare Parts Leaflet

51- HE1303A

Jun. 20, 2019/ Page 1 of 3



Unpublished Work—© Otis Elevator Co.

**OTIS**

**Safety First!**

**ESCALATOR ENGINEERING**  
Otis Elevator Company  
**OTIS ENGINEERING CHINA**  
**ESCALATOR**

**ESCALATOR**  
**51- HE1303A**

# History

## Leaflet Description

EL. MAGNETICAL AUXILIARY BRAKE CALIPER TYPE

### Leaflet Revisions

Date Revised	Subject Matter Expert	Reason for Revision
2019-06-20	Wang, Yun	Full update (CN NO.: CNT1900819)

### Related Drawings

Drawing No.	Title	Drawing No.	Title
HAA26220N7/8	EL. MAGNETICAL AUXILIARY BRAKE		

### Related Documents

Document ID	Title
BOM HAA26220N7/8	EL. MAGNETICAL AUXILIARY BRAKE

### Subject Matter Expert

Name	Department
Wang, Yun	OTIS ENGINEERING CHINA ESCALATOR

### About Spare Parts Leaflets...

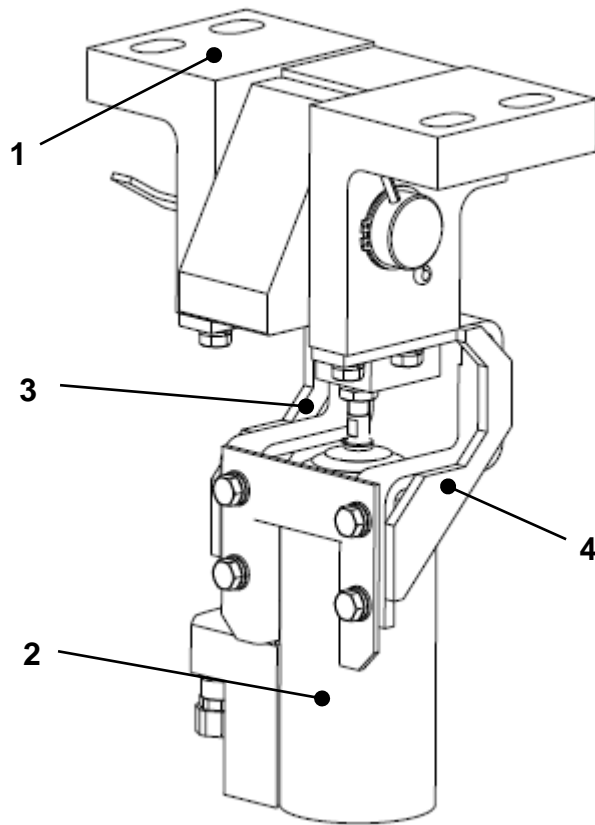
This document lists the lowest replaceable units (LRUs) for the standard version of the product. The LRUs are chosen by a team of Otis associates representing engineering and manufacturing.

While goal of this document is to make parts identification as easy as possible, the document cannot be all-inclusive. Elevator and escalator contracts classified as "special" or "custom" are not addressed here. For such contracts, please refer to specified information, the contract folder, TIPs, Field Education Articles, Construction Letters, etc. for further information.

If you have any suggestions about this document, please contact the subject matter expert listed on this page.

**ESCALATOR  
AUXILIARY BRAKE  
EL. MAGNETICAL**

**Spare Parts Leaflet  
51- HE1303A**



HAA26220N7/8			
REF. No.	PART No.	DESCRIPTION	ENVIRONMENT
1	HAA26220M7	AUX. BRAKE TRIGGER DEVICE	INDOOR
	HAA26220M8	AUX. BRAKE TRIGGER DEVICE	OUTDOOR
2	HAA330B3	AUX. BRAKE SOLENOID	INDOOR/ OUTDOOR
3	HAA316DGA1	BRACKET	INDOOR
	HAA316DGA2	BRACKET	OUTDOOR
4	HAA316DGA5	BRACKET	INDOOR
	HAA316DGA6	BRACKET	OUTDOOR