

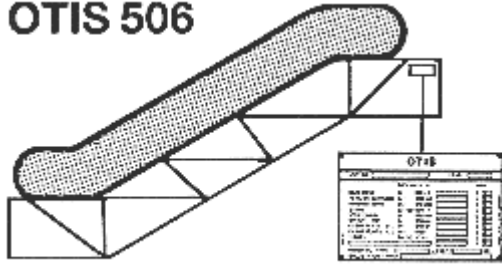
SPL 52-9703AB - (Only For Replacement) Tension Carriage

Unpublished Work - © Otis Elevator Company. Any unauthorized reproduction, disclosure, or distribution of copies or content by any person of any portion of this work may be a violation of Copyright Law of the United States of America. All rights reserved.

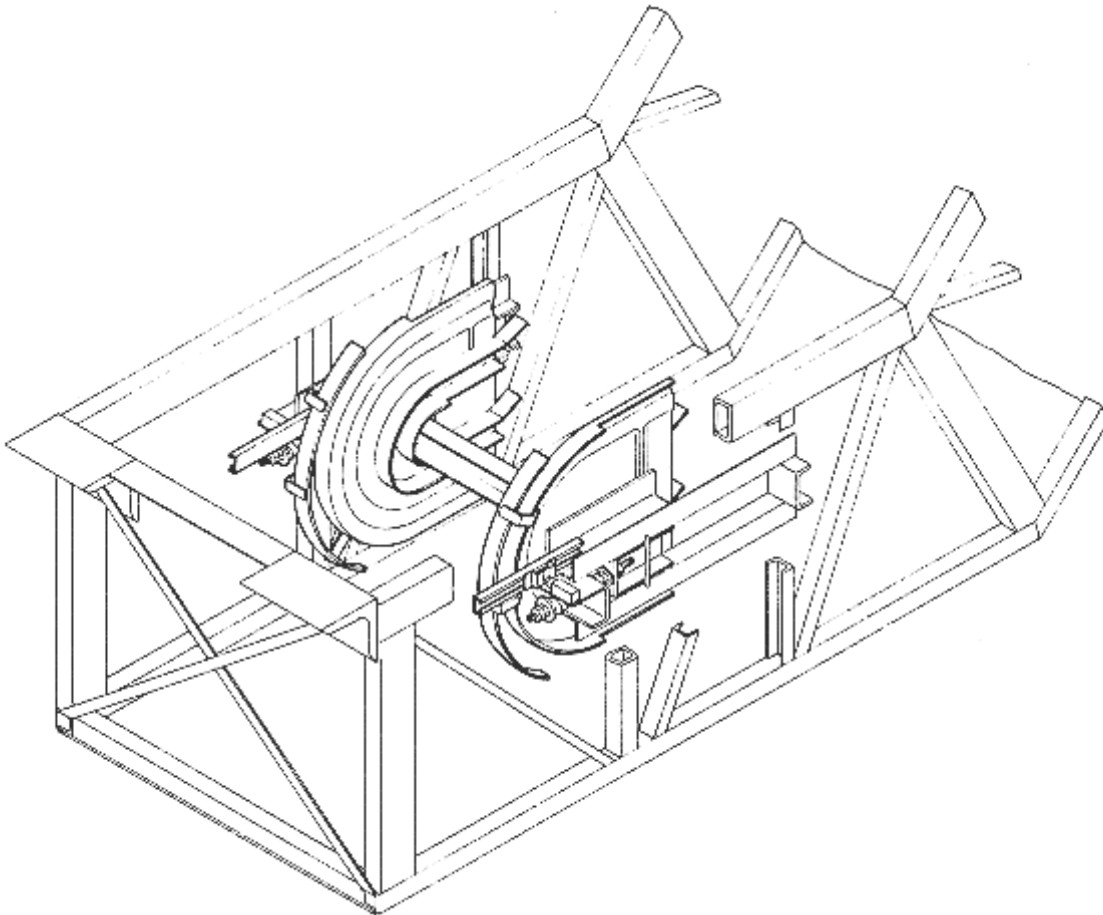
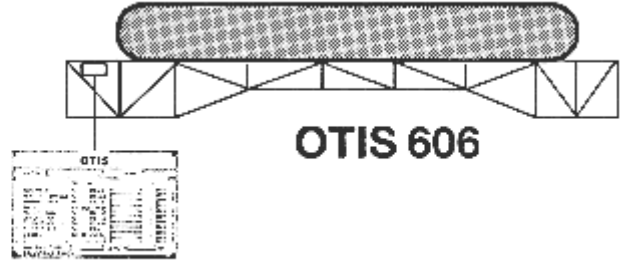
OTIS 506
April 1992

Page 1

OTIS 506

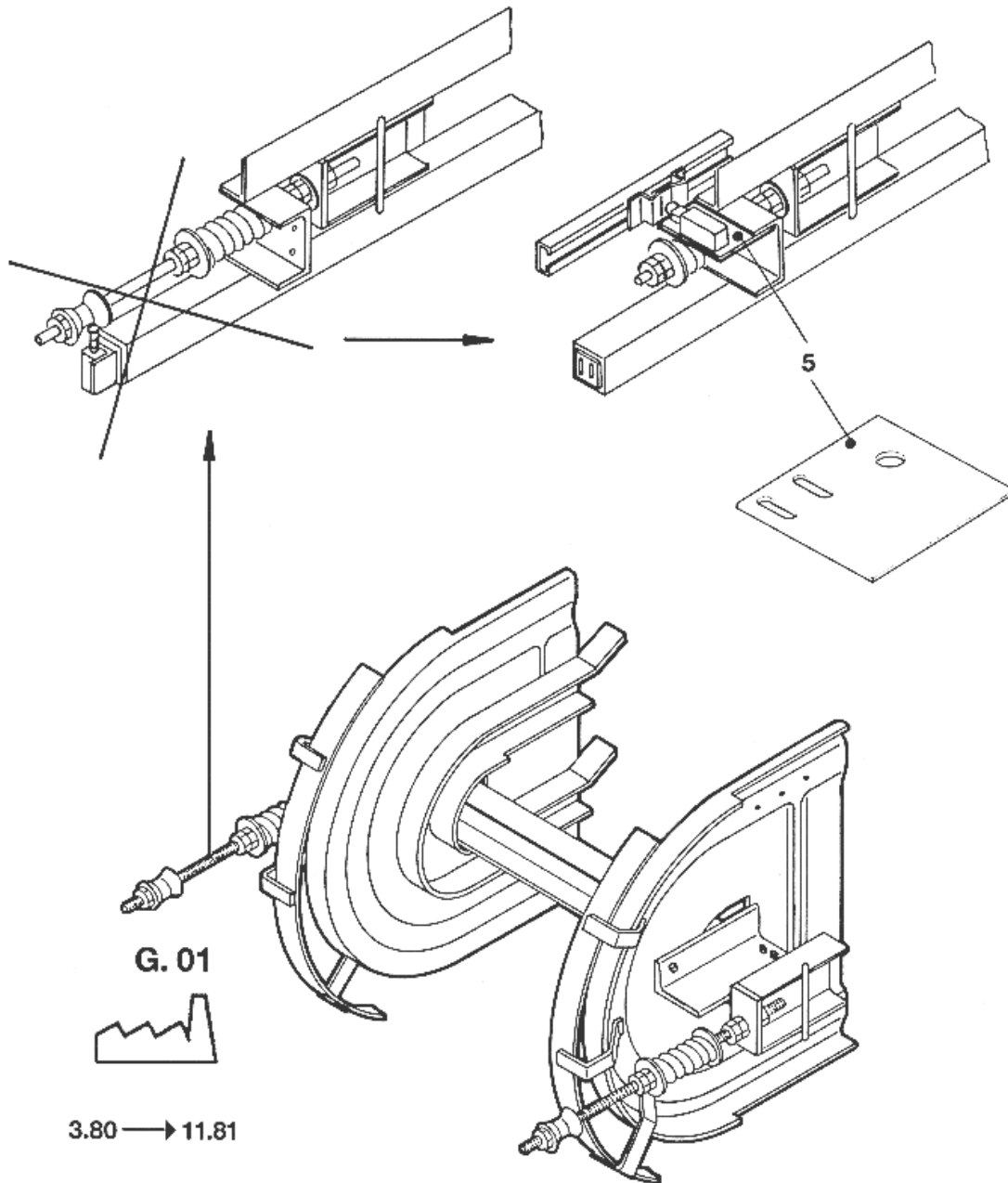


OTIS 606



SPL 52-9703AB - (Only For Replacement) Tension Carriage

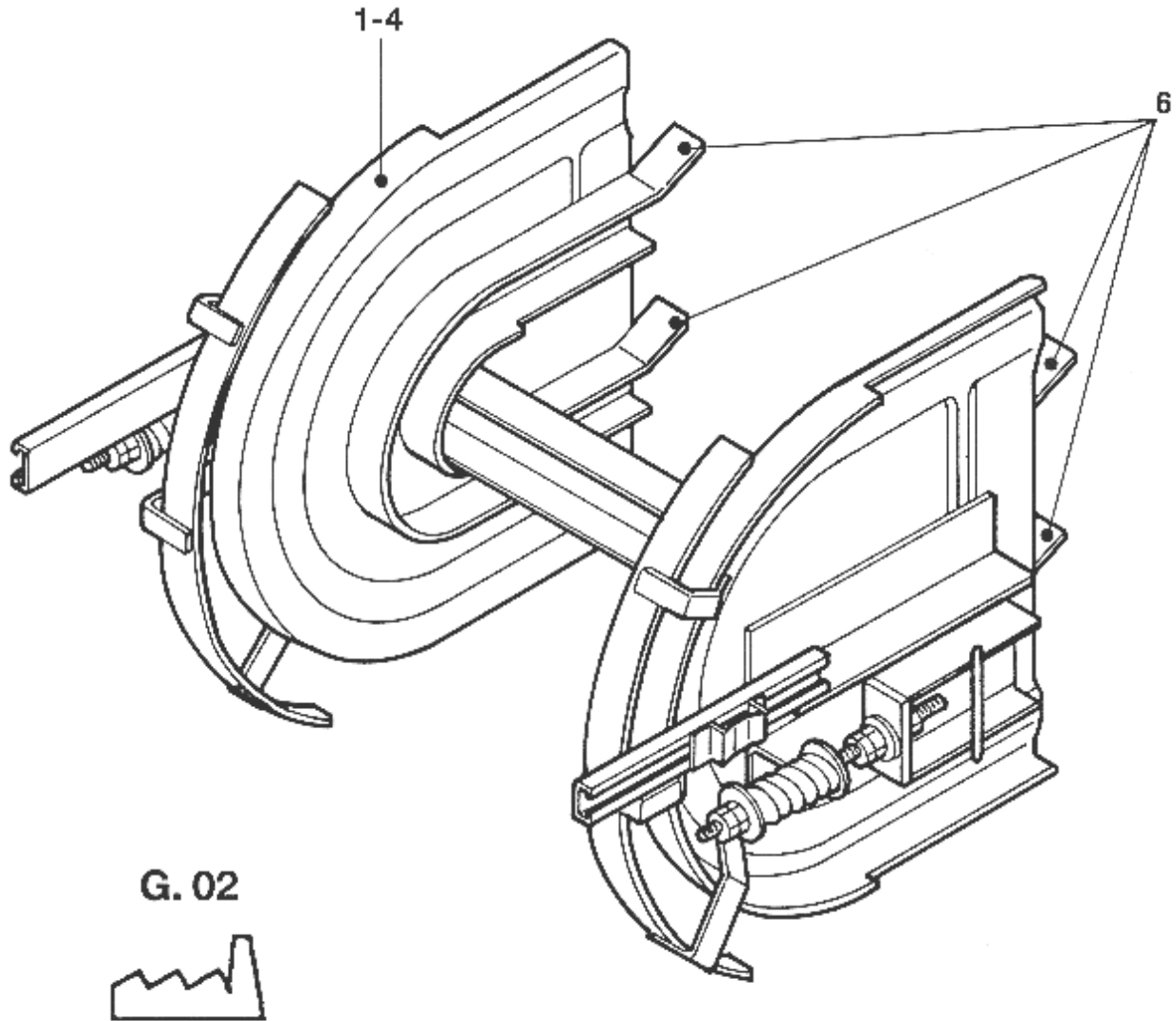
Page 2



VINTAGE				
G.01		G.02		
REF. No	PART OR ML	PART OR ML	DESCRIPTION	TYPE
1	9703AB11		Tension carriage compl.	600
2	9703AB12		Tension carriage compl.	800
3	9703AB13		Tension carriage compl.	900
4	9703AB14		Tension carriage compl.	1000
	+			
5	GO386BVP1		Adapterplate	

SPL 52-9703AB - (Only For Replacement) Tension Carriage

Page 3



12.81 → 10.91

VINTAGE				
G.01		G.02		
REF. No	PART OR ML	PART OR ML	DESCRIPTION	TYPE
1	9703AB11		Tension carriage compl.	600
2	9703AB12		Tension carriage compl.	800
3	9703AB13		Tension carriage compl.	900
4	9703AB14		Tension carriage compl.	1000
6		GO386BFC9	Plate	