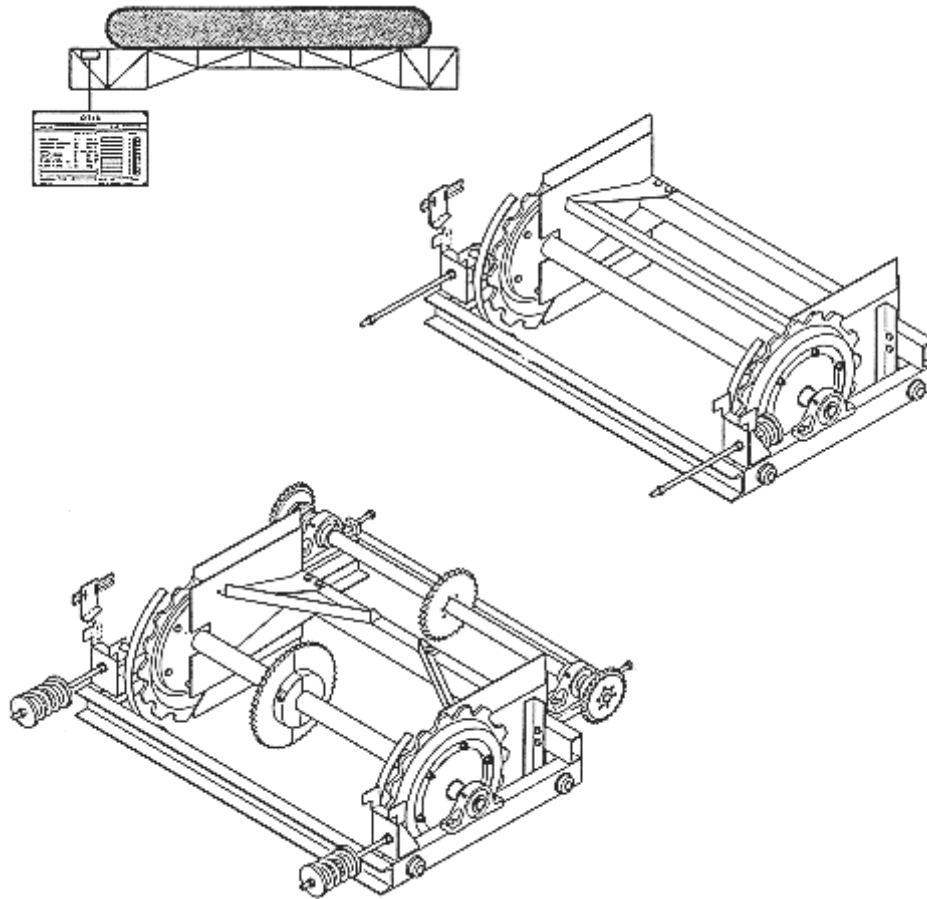


# SPL 52-9741BR - Tension Carriage

Unpublished Work - © Otis Elevator Company. Any unauthorized reproduction, disclosure, or distribution of copies or content by any person of any portion of this work may be a violation of Copyright Law of the United States of America. All rights reserved.

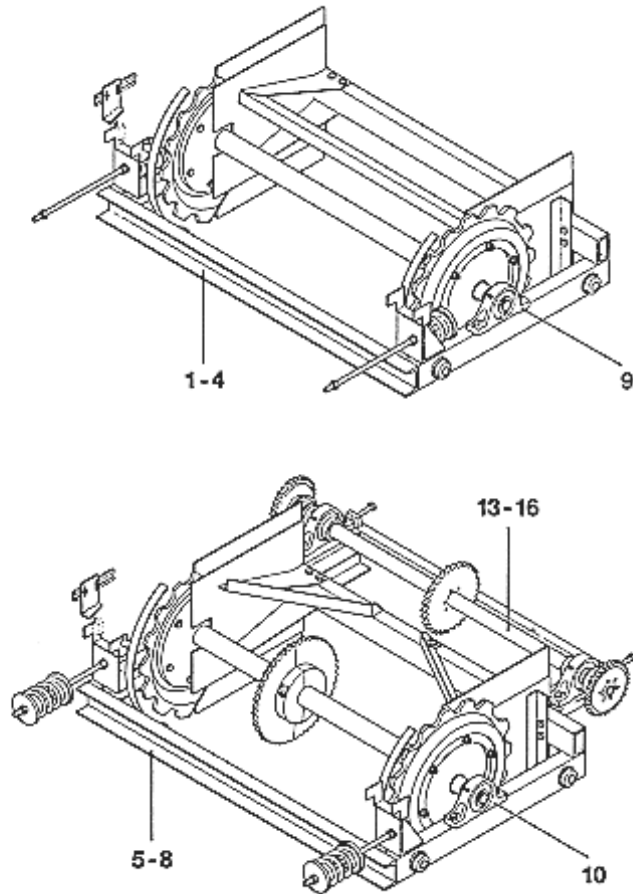
OTIS 606  
March 1984

Page 1



## SPL 52-9741BR - Tension Carriage

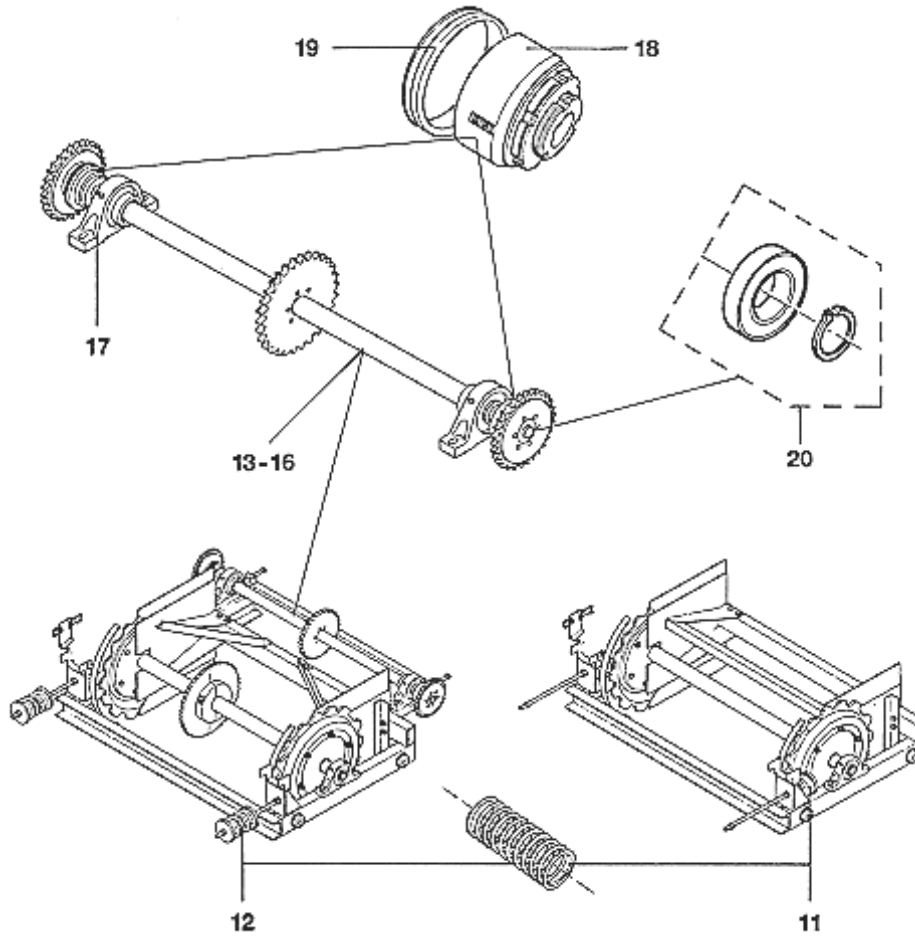
Page 2



SERIAL G. 01			
REF. No	PART OR ML	DESCRIPTION	TYPE
1	9741BR1	Tension carriage compl.	600
2	9741BR2	Tension carriage compl.	800
3	9741BR3	Tension carriage compl.	900
4	9741BR4	Tension carriage compl.	1000
5	9741BR5	Tension carr. compl. with 2. handraildrive	600
6	9741BR6	Tension carr. compl. with 2. handraildrive	800
7	9741BR7	Tension carr. compl. with 2. handraildrive	900
8	9741BR8	Tension carr. compl. with 2. handraildrive	1000
9	GO2215R4	Bearing compl. & Hardware for fastening	
10	GO2215R12	Bearing compl. & Hardware for fastening	

## SPL 52-9741BR - Tension Carriage

Page 3



SERIAL G. 01			
REF. No	PART OR ML	DESCRIPTION	TYPE
11	90GD6	Spring	
12	90ND1	Spring	
13	9741GH5	Countershaft compl.	600
14	9741GH6	Countershaft compl.	800
15	9741GH7	Countershaft compl.	900
16	9741GH8	Countershaft compl.	1000
17	GO2215R34	Bearing compl. & Hardware for fastening	
18	GO218A1	Clutch	
19	86405	V-Ring V 120	
20	GO2215R25	Bearing with ring	