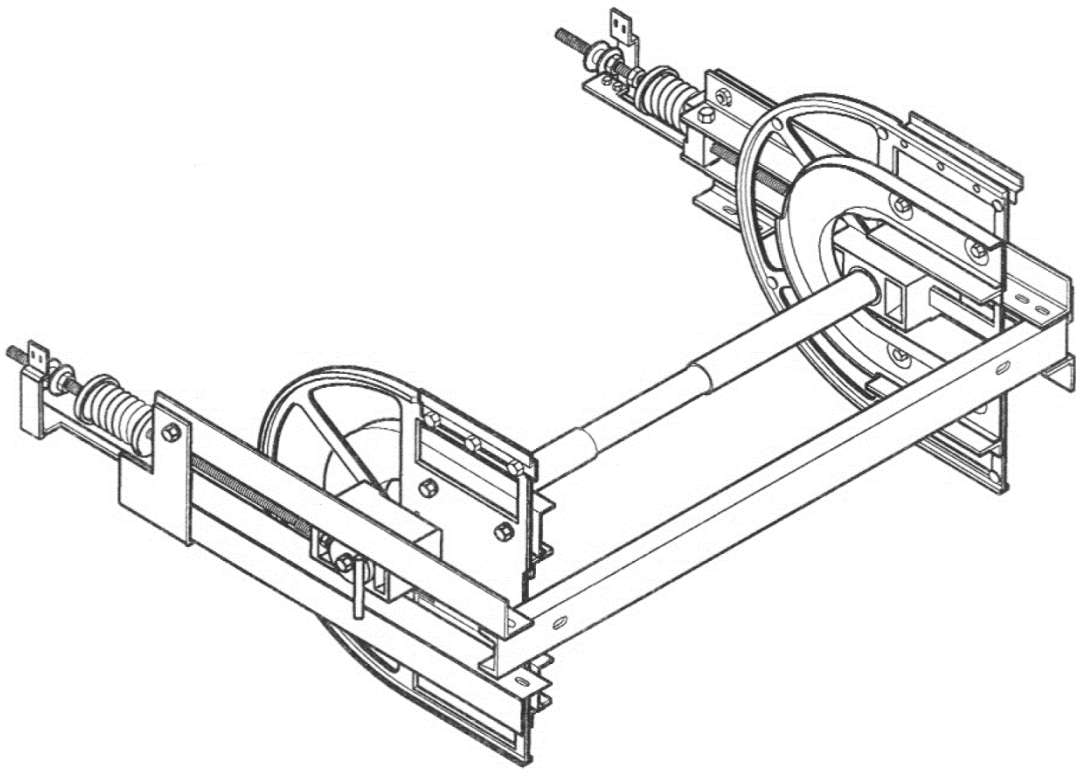


**OCE521 Escalator  
TG(L) Assembly**

**Spare Parts Leaflet**

**52-ASA00A064**

**12/19/2011 / Page 1 of 3**



**OTIS**

**Escalator Department  
Otis Elevator Company  
Changwon, Korea**

**Leaflet Description**

OCE521 Escalator Lower Terminal Gear Assembly

**Leaflet Revisions**

<b>Date Revised</b>	<b>Subject Matter Expert</b>	<b>Reason for Revision</b>
December 19, 2011		Release

**Related Drawings**

<b>Drawing No.</b>	<b>Title</b>	<b>Drawing No.</b>	<b>Title</b>
ASA00A065	TG(L) Assembly		

**Related Documents**

<b>Document ID</b>	<b>Title</b>

**Subject Matter Expert**

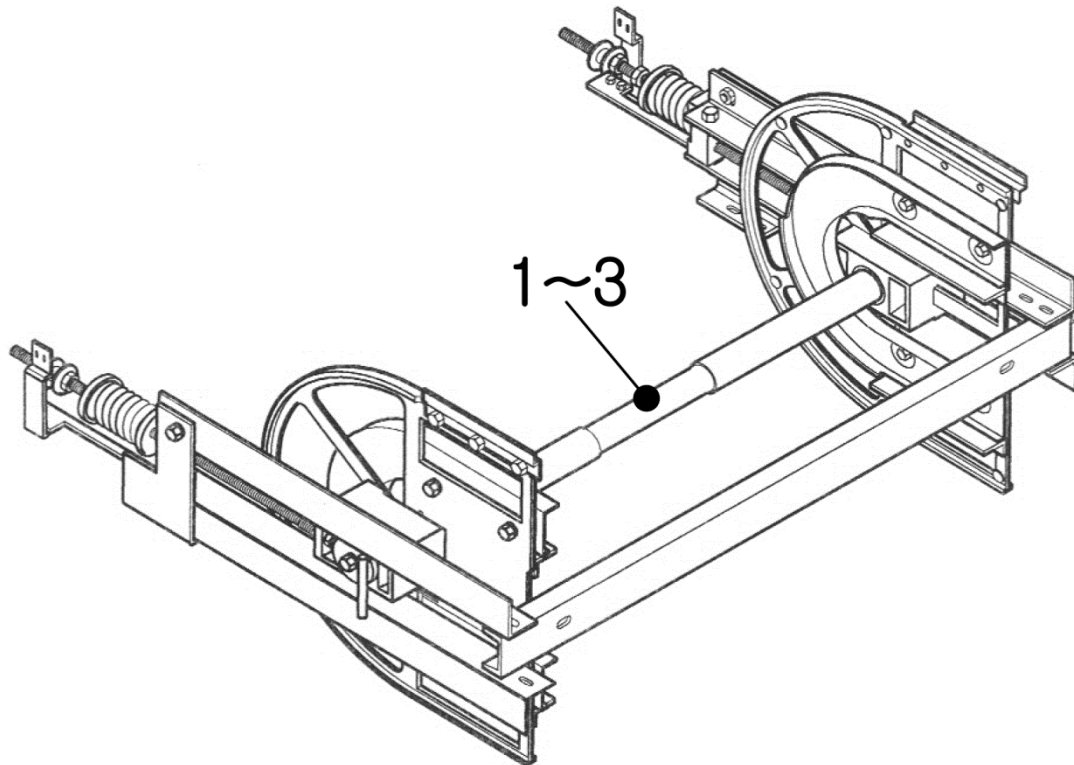
<b>Name</b>	<b>Department</b>
Tom Charney	OSC Service Engineering

**About Spare Parts Leaflets...**

This document lists the lowest replaceable units (LRUs) for the standard version of the product. The LRUs are chosen by a team of Otis associates representing engineering and manufacturing.

While goal of this document is to make parts identification as easy as possible, the document cannot be all-inclusive. Elevator and escalator contracts classified as "special" or "custom" are not addressed here. For such contracts, please refer to specified information, the contract folder, TIPs, Field Education Articles, Construction Letters, etc. for further information.

If you have any suggestions about this document, please contact the subject matter expert listed on this page.



W/O VINTAGE		
REF. No.	PART No.	DESCRIPTION
1	ASA00A064A	Tg(L) Assembly, 48 in. Type
2	ASA00A064E	Tg(L) Assembly, 40 in. Type
3	ASA00A064B	Tg(L) Assembly, 32 in. Type