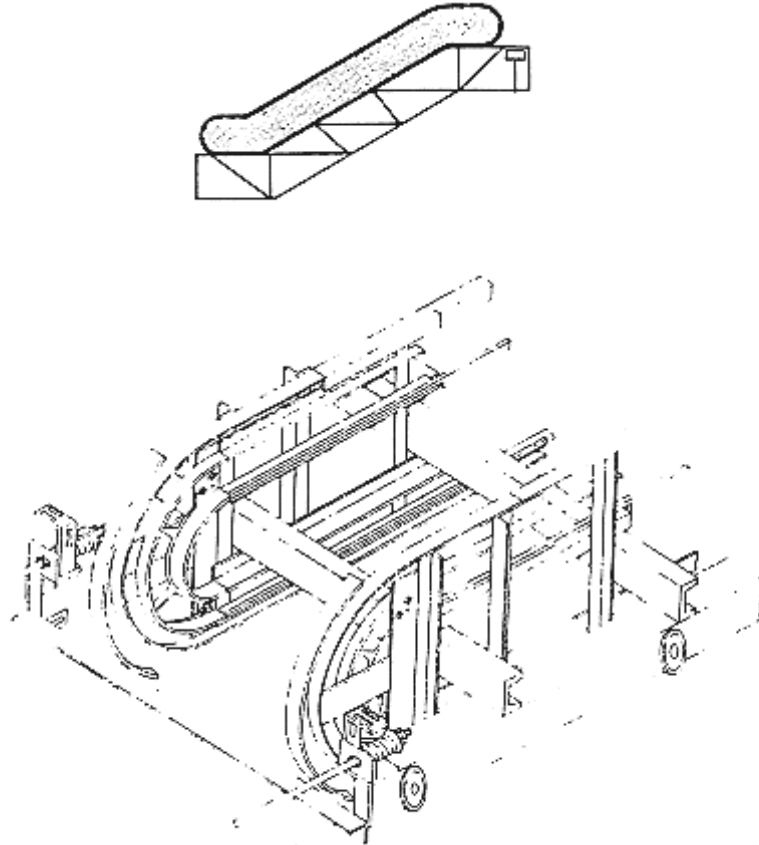


# SPL 52-BAA26160C - Tension Carriage UBSL 600/1000

Unpublished Work - © Otis Elevator Company. Any unauthorized reproduction, disclosure, or distribution of copies or content by any person of any portion of this work may be a violation of Copyright Law of the United States of America. All rights reserved.

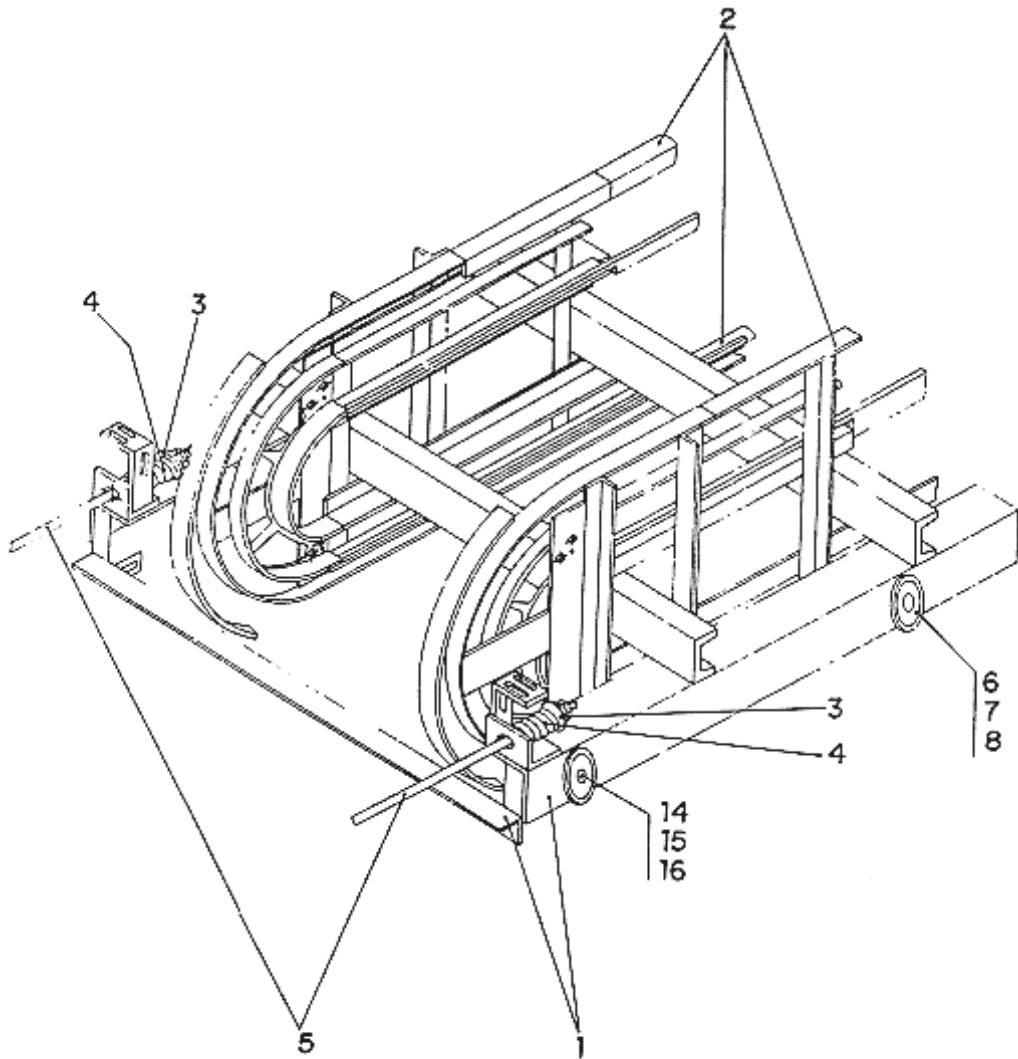
July 1993

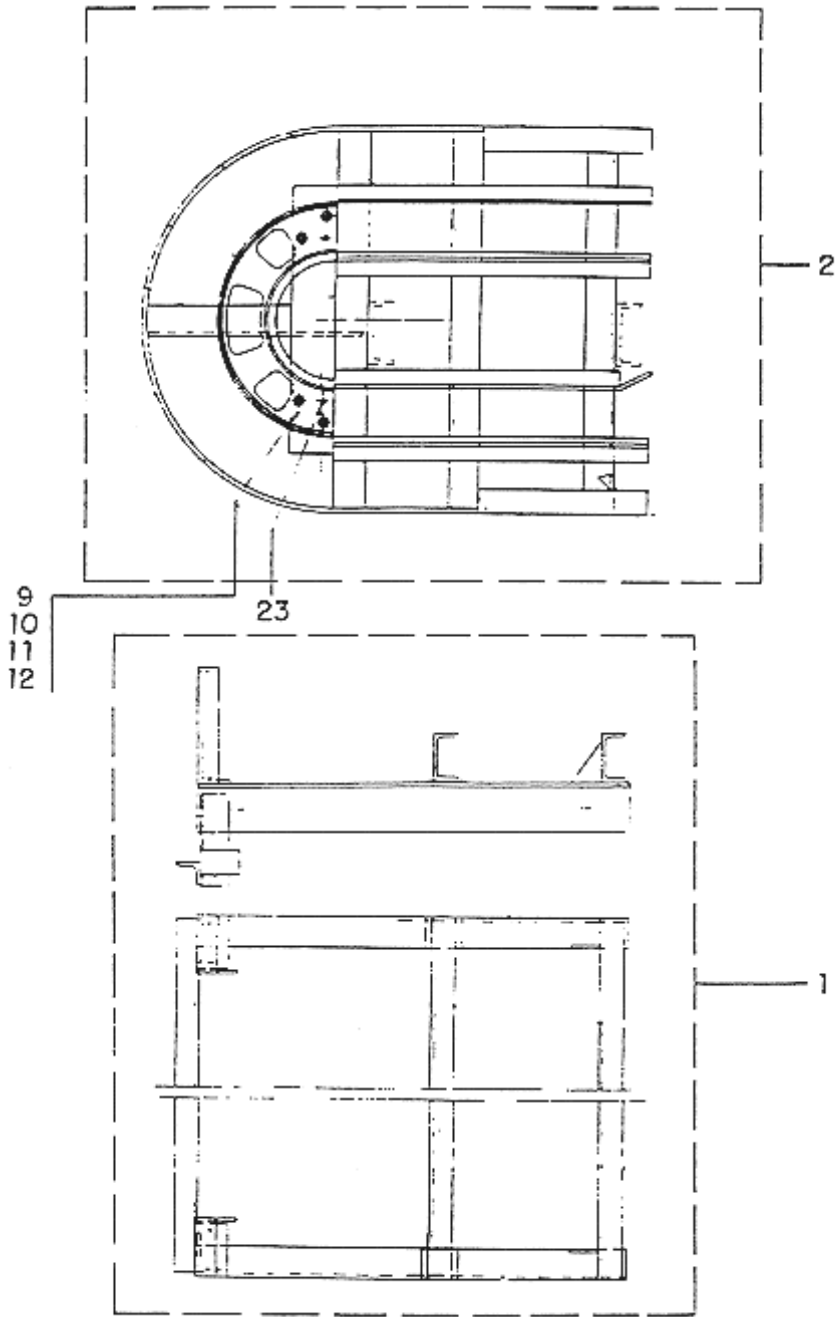
Page 1



SPL 52-BAA26160C - Tension Carriage UBSL 600/1000

Page 2





**SPL 52-BAA26160C - Tension Carriage UBSL 600/1000**

Page 4

REF. NUM.	DESCRIPTION		PART OR ML
1	FRAME	TYPE 600	BAA374X1
		TYPE 1000	BAA374X2
2	TRACK	AS SHOW	BAA483AL1
		OPPOSITE	BAA483AL2
3	WASHER		GO133F1
4	SPRING		90AD10
5	ROD		GO96VD2
6	ROLLER		GO456AD1
7	PIN		GO77FD1
8	BUSHING		GX355E505
9	BOLT FE CC M12 x 30 DIN6912		40CH184000
10	NUT FE SEXT M12 DIN934		43D182500
11	WASHER PARAL A13 DIN125		03PB181900
12	WASHER PRS B12 DIN127		03PG181200
13	PIN AC10 x 20 DIN1481		41EA030500
14	WASHER		127VB5
15	WASHER FE SEG A16.5 DIN679B		03SA182600
16	NUT FS M16 DIN934		43SD182800

||  
||  
||