



# 508NCE/512NCE Escalator

## History

### Leaflet Description

#### 508NCE & 512NCE ANSI ESCALATOR TRACK INCLINE SECTION

#### Leaflet Revisions

| Date Revised  | Subject Matter Expert | Reason for Revision |
|---------------|-----------------------|---------------------|
| Oct. 30, 2009 | Liu, Zhaohui          | Original document   |
|               |                       |                     |
|               |                       |                     |

#### Related Drawings

| Drawing No. | Title                 | Drawing No. | Title |
|-------------|-----------------------|-------------|-------|
| DAA26131AF  | Track Incline Section |             |       |

#### Related Documents

| Document ID    | Title                 |
|----------------|-----------------------|
| BOM DAA26131AF | Track Incline Section |

#### Subject Matter Expert

| Name         | Department    |
|--------------|---------------|
| Liu, Zhaohui | SIT GUANGZHOU |

#### About Spare Parts Leaflets...

This document lists the lowest replaceable units (LRUs) for the standard version of the product. The LRUs are chosen by a team of Otis associates representing engineering and manufacturing.

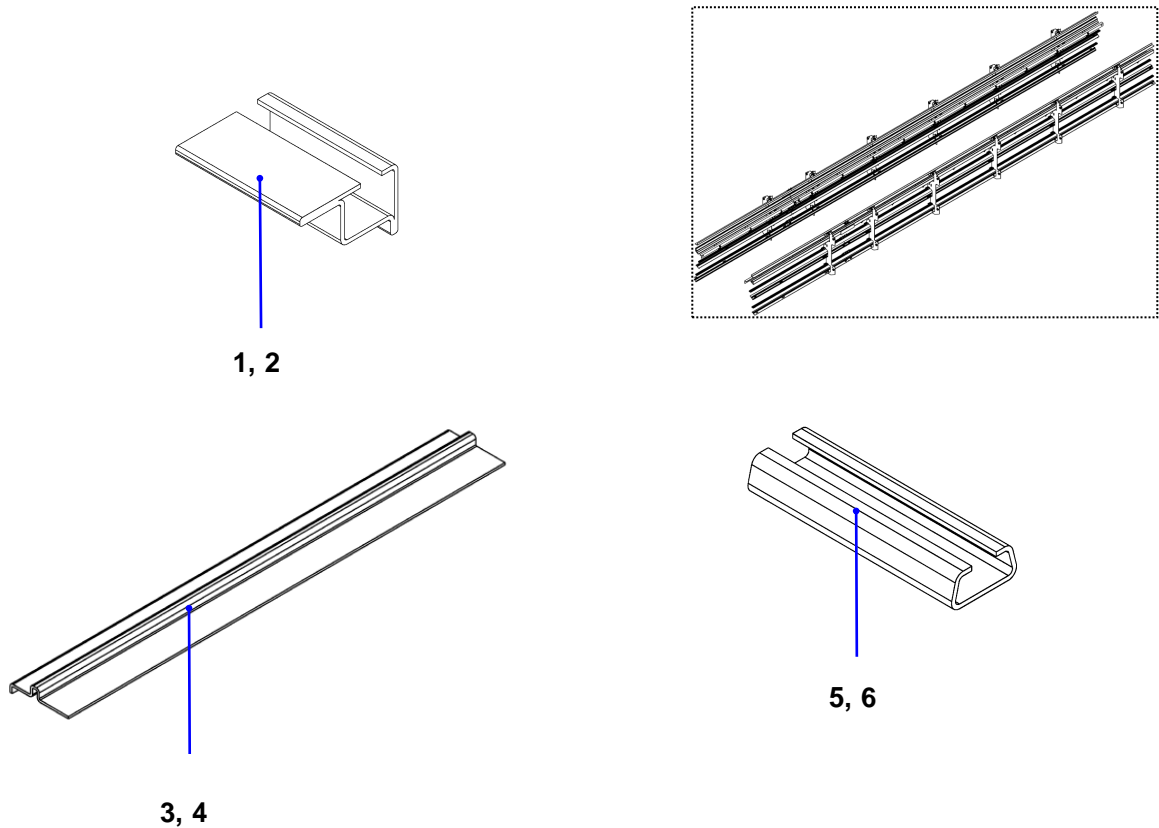
While goal of this document is to make parts identification as easy as possible, the document cannot be all-inclusive. Elevator and escalator contracts classified as "special" or "custom" are not addressed here. For such contracts, please refer to specified information, the contract folder, TIPs, Field Education Articles, Construction Letters, etc. for further information.

If you have any suggestions about this document, please contact the subject matter expert listed on this page.

# 508NCE/512NCE Escalator Track Incline Section

**Spare Parts Leaflet**  
**52-DAA26131AF**

**FOR 508NCE ANSI**

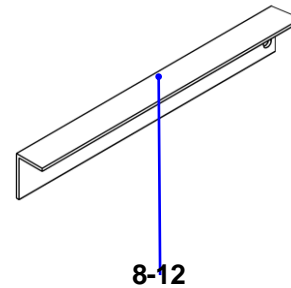
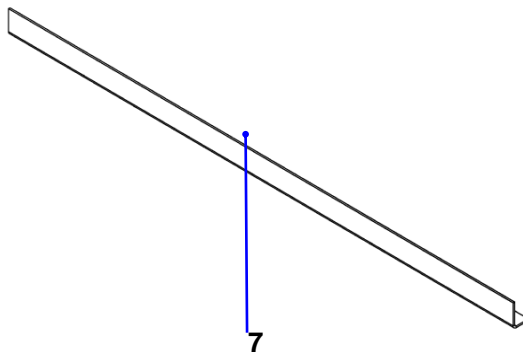
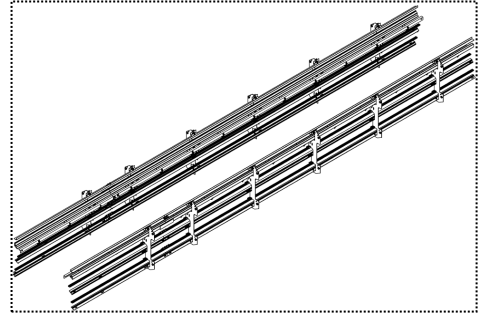


| DAA26131AF |                |                                                    |         |
|------------|----------------|----------------------------------------------------|---------|
| REF. No.   | PART No.       | DESCRIPTION                                        |         |
| 1          | DAA50NQV       | Track for passenger line                           | Indoor  |
| 2          | GOA50FK        | Track for passenger line                           | Outdoor |
| 3          | DAA50NQN       | Step roller and chain roller track for return side | Indoor  |
| 4          | 1S-GO50AAD6000 | Step roller and chain roller track for return side | Outdoor |
| 5          | DAA50NQR       | Upthrust track for return side                     | Indoor  |
| 6          | GO50WH         | Upthrust track for return side                     | Outdoor |

# 508NCE/512NCE Escalator Track Incline Section

## Spare Parts Leaflet 52-DAA26131AF

FOR 508NCE/512NCE ANSI

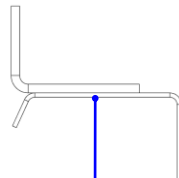
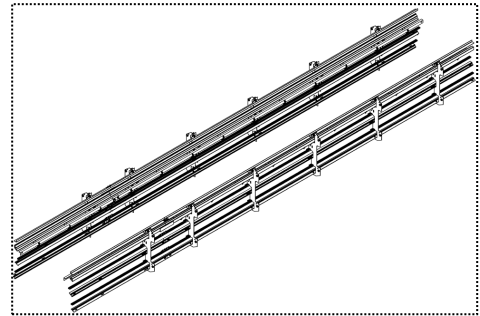


| DAA26131AF |             |                                                  |         |
|------------|-------------|--------------------------------------------------|---------|
| REF. No.   | PART No.    | DESCRIPTION                                      |         |
| 7          | DAA50AQ     | Upthrust track for passenger side                |         |
| 8          | DAA483GT1   | Upthrust track, 5.8m                             | Indoor  |
| 9          | GAA483CEA1  | Upthrust track, 5.8m                             | Outdoor |
| 10         | DAA483GT2   | Upthrust track, 2.9m                             | Indoor  |
| 11         | GAA483CEA2  | Upthrust track, 2.9m                             | Outdoor |
| 12         | DAA483GT-V1 | Upthrust track, length per spec. ONLY FOR 512NCE | Indoor  |

# 508NCE/512NCE Escalator Track Incline Section

# Spare Parts Leaflet 52-DAA26131AF

FOR 508NCE/512NCE ANSI



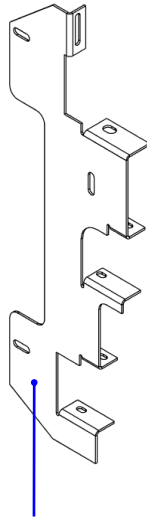
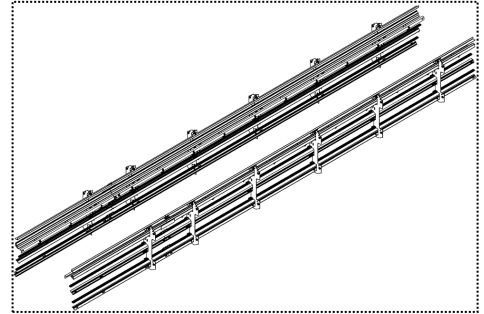
13-21

| DAA26131AF |            |                                                             |         |
|------------|------------|-------------------------------------------------------------|---------|
| REF. No.   | PART No.   | DESCRIPTION                                                 |         |
| 13         | DAA483GC1  | Upthrust track with cover, 5.8m                             | Outdoor |
| 14         | GAA483CGM1 | Upthrust track with cover, 5.8m                             |         |
| 15         | DAA483GF1  | Upthrust track with cover, 5.8m                             |         |
| 16         | DAA483GC2  | Upthrust track with cover, 2.9m                             |         |
| 17         | GAA483CGM2 | Upthrust track with cover, 2.9m                             |         |
| 18         | DAA483GF2  | Upthrust track with cover, 2.9m                             |         |
| 19         | DAA483GC-V | Upthrust track with cover, length per spec. Only for 512NCE |         |
| 20         | DAA483CGM2 | Upthrust track with cover, length per spec. Only for 512NCE |         |
| 21         | DAA483GF-V | Upthrust track with cover, length per spec. Only for 512NCE |         |

**508NCE/512NCE Escalator  
Track Incline Section**

**Spare Parts Leaflet  
52-DAA26131AF**

FOR 508NCE/512NCE ANSI



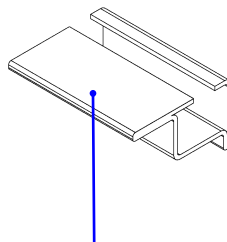
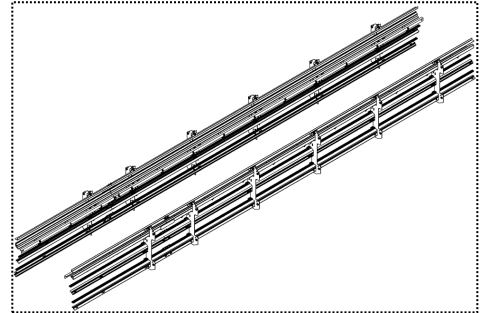
22-23

|                 |                   |                          |         |
|-----------------|-------------------|--------------------------|---------|
|                 | <b>DAA26131AF</b> |                          |         |
| <b>REF. No.</b> | <b>PART No.</b>   | <b>DESCRIPTION</b>       |         |
| 22              | DAA318AV2         | Track holder for H-frame | Indoor  |
| 23              | DAA318AV12        | Track holder for H-frame | Outdoor |

# 508NCE/512NCE Escalator Track Incline Section

# Spare Parts Leaflet 52-DAA26131AF

FOR 512NCE ANSI



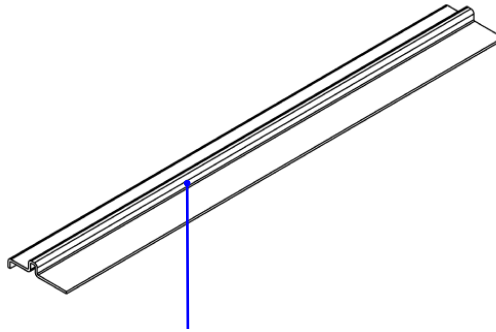
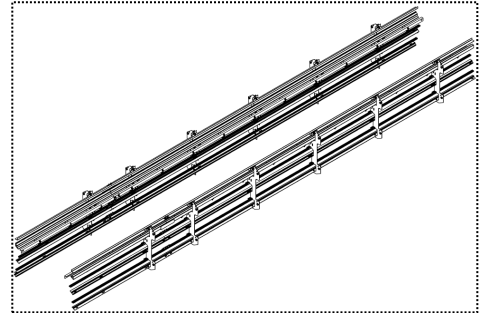
24-29

| DAA26131AF |               |                                            |         |
|------------|---------------|--------------------------------------------|---------|
| REF. No.   | PART No.      | DESCRIPTION                                |         |
| 24         | DAA483GV1     | Track for passenger side, 5.8m             | Indoor  |
| 25         | DAA483GV2     | Track for passenger side, 2.9m             |         |
| 26         | DAA483GV101   | Track for passenger side, 5.8m             | Outdoor |
| 27         | DAA483GV102   | Track for passenger side, 2.9m             |         |
| 28         | DAA483GV-V1   | Track for passenger side, length per spec. | Indoor  |
| 29         | DAA483GV-V101 | Track for passenger side, length per spec. | Outdoor |

# 508NCE/512NCE Escalator Track Incline Section

# Spare Parts Leaflet 52-DAA26131AF

FOR 512NCE ANSI



30-37

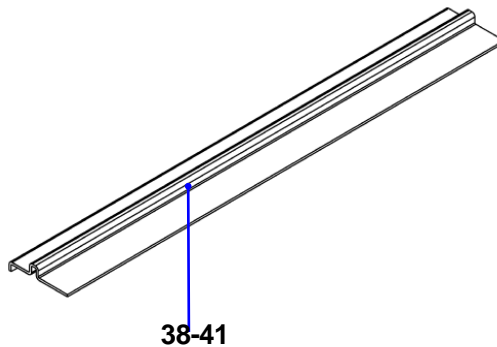
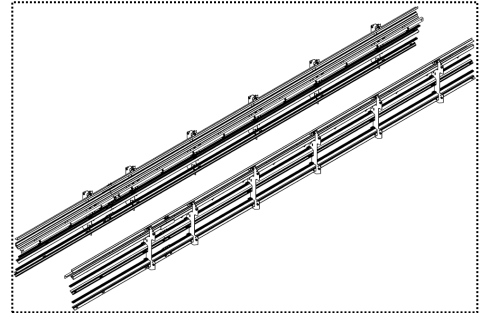
| DAA26131AF |             |                                                     |         |
|------------|-------------|-----------------------------------------------------|---------|
| REF. No.   | PART No.    | DESCRIPTION                                         |         |
| 30         | DAA483GS1   | Step roller track for return side, left side, 5.9m  | Indoor  |
| 31         | DAA483GS2   | Step roller track for return side, right side, 5.9m |         |
| 32         | DAA483GS3   | Step roller track for return side, left side, 2.8m  |         |
| 33         | DAA483GS4   | Step roller track for return side, right side, 2.8m |         |
| 34         | DAA483GS101 | Step roller track for return side, left side, 5.9m  | Outdoor |
| 35         | DAA483GS102 | Step roller track for return side, right side, 5.9m |         |
| 36         | DAA483GS103 | Step roller track for return side, left side, 2.8m  |         |
| 37         | DAA483GS104 | Step roller track for return side, right side, 2.8m |         |



# 508NCE/512NCE Escalator Track Incline Section

**Spare Parts Leaflet  
52-DAA26131AF**

**FOR 512NCE ANSI**

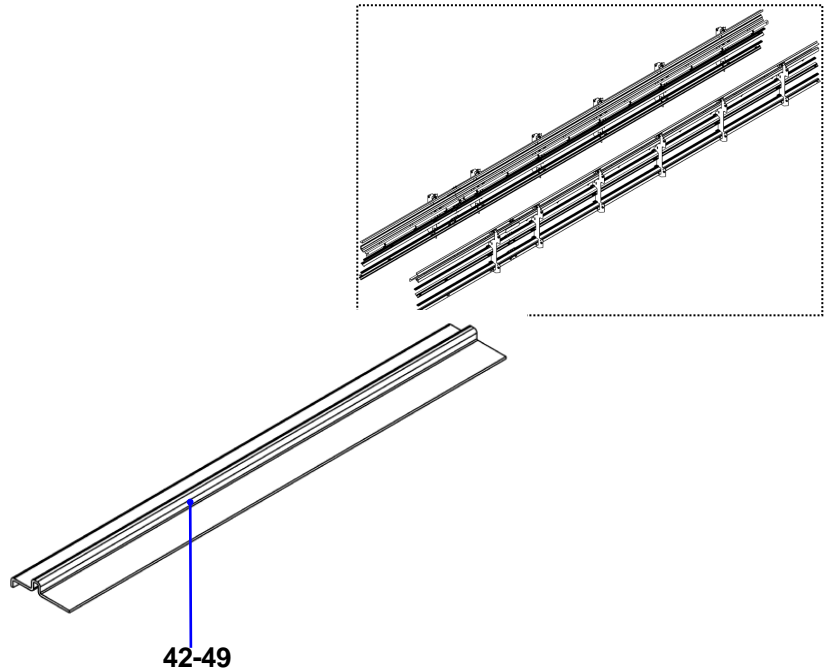


| DAA26131AF |               |                                                                 |         |
|------------|---------------|-----------------------------------------------------------------|---------|
| REF. No.   | PART No.      | DESCRIPTION                                                     |         |
| 38         | DAA483GS-V1   | Step roller track for return side, left side, length per spec.  | Indoor  |
| 39         | DAA483GS-V2   | Step roller track for return side, right side, length per spec. |         |
| 40         | DAA483GS-V101 | Step roller track for return side, left side, length per spec.  | Outdoor |
| 41         | DAA483GS-V102 | Step roller track for return side, right side, length per spec. |         |

# 508NCE/512NCE Escalator Track Incline Section

# Spare Parts Leaflet 52-DAA26131AF

FOR 512NCE ANSI

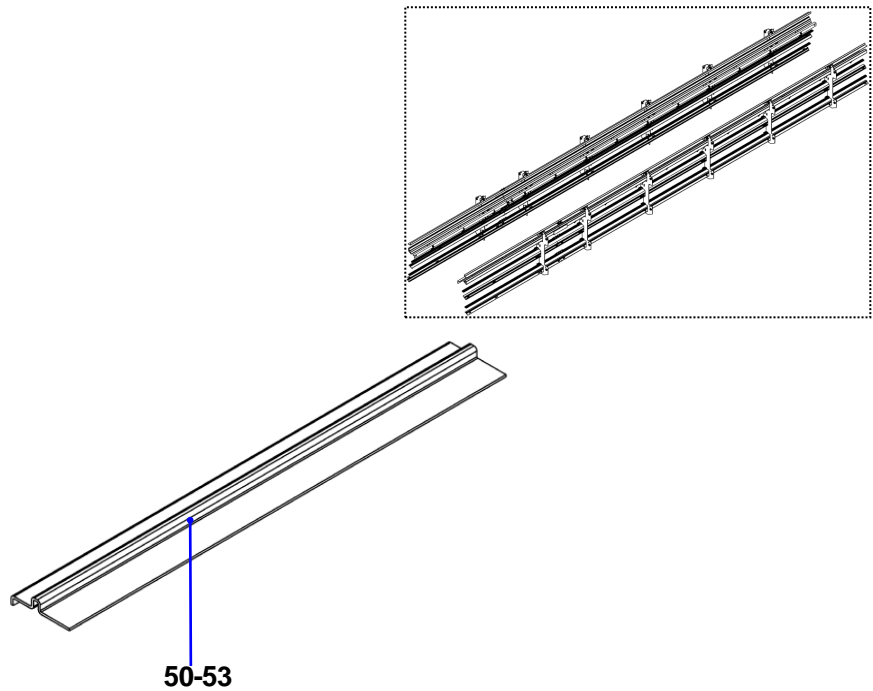


| DAA26131AF |             |                                                           |         |
|------------|-------------|-----------------------------------------------------------|---------|
| REF. No.   | PART No.    | DESCRIPTION                                               |         |
| 42         | DAA483FJ1   | Step chain roller track for return side, left side, 5.9m  | Indoor  |
| 43         | DAA483FJ2   | Step chain roller track for return side, right side, 5.9m |         |
| 44         | DAA483FJ3   | Step chain roller track for return side, left side, 2.8m  |         |
| 45         | DAA483FJ4   | Step chain roller track for return side, right side, 2.8m |         |
| 46         | DAA483FJ101 | Step chain roller track for return side, left side, 5.9m  | Outdoor |
| 47         | DAA483FJ102 | Step chain roller track for return side, right side, 5.9m |         |
| 48         | DAA483FJ103 | Step chain roller track for return side, left side, 2.8m  |         |
| 49         | DAA483FJ104 | Step chain roller track for return side, right side, 2.8m |         |

# 508NCE/512NCE Escalator Track Incline Section

# Spare Parts Leaflet 52-DAA26131AF

FOR 512NCE ANSI

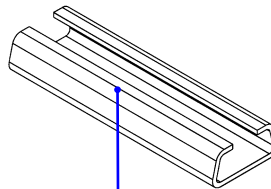
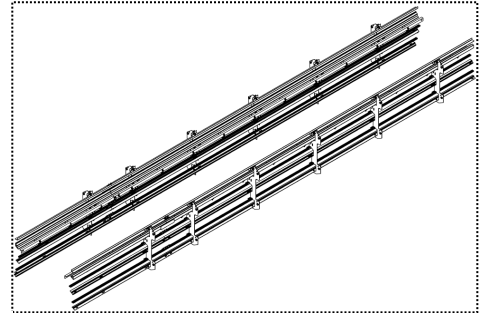


| DAA26131AF |               |                                                                       |         |
|------------|---------------|-----------------------------------------------------------------------|---------|
| REF. No.   | PART No.      | DESCRIPTION                                                           |         |
| 50         | DAA483FJ-V1   | Step chain roller track for return side, left side, length per spec.  | Indoor  |
| 51         | DAA483FJ-V2   | Step chain roller track for return side, right side, length per spec. |         |
| 52         | DAA483FJ-V101 | Step chain roller track for return side, left side, length per spec.  | Outdoor |
| 53         | DAA483FJ-V102 | Step chain roller track for return side, right side, length per spec. |         |

# 508NCE/512NCE Escalator Track Incline Section

# Spare Parts Leaflet 52-DAA26131AF

FOR 512NCE ANSI



54-59

| DAA26131AF |            |                                                  |         |
|------------|------------|--------------------------------------------------|---------|
| REF. No.   | PART No.   | DESCRIPTION                                      |         |
| 54         | DAA483GX1  | Upthrust track for return side, 5.9m             | Indoor  |
| 55         | DAA483GX2  | Upthrust track for return side, 2.8m             |         |
| 56         | DAA483GX-V | Upthrust track for return side, length per spec. |         |
| 57         | DAA483CDJ1 | Upthrust track for return side, 5.9m             | Outdoor |
| 58         | DAA483CDJ2 | Upthrust track for return side, 2.8m             |         |
| 59         | GAA483CDJ  | Upthrust track for return side, length per spec. |         |