

508NCE Escalator DAA26131AH

History

Leaflet Description

508NCE ANSI escalator track lower landing, indoor

Leaflet Revisions

| Date Revised | Subject Matter Expert | Reason for Revision |
|---------------|-----------------------|---------------------|
| Oct. 30, 2009 | Liu, Zhaohui | Original document |
| | | |
| | | |

Related Drawings

| Drawing No. | Title | Drawing No. | Title |
|-------------|---------------------|-------------|-------|
| DAA26131AH | Track lower landing | | |

Related Documents

| Document ID | Title |
|----------------|---------------------|
| BOM DAA26131AH | Track lower landing |

Subject Matter Expert

| Name | Department |
|--------------|---------------|
| Liu, Zhaohui | SIT GUANGZHOU |

About Spare Parts Leaflets...

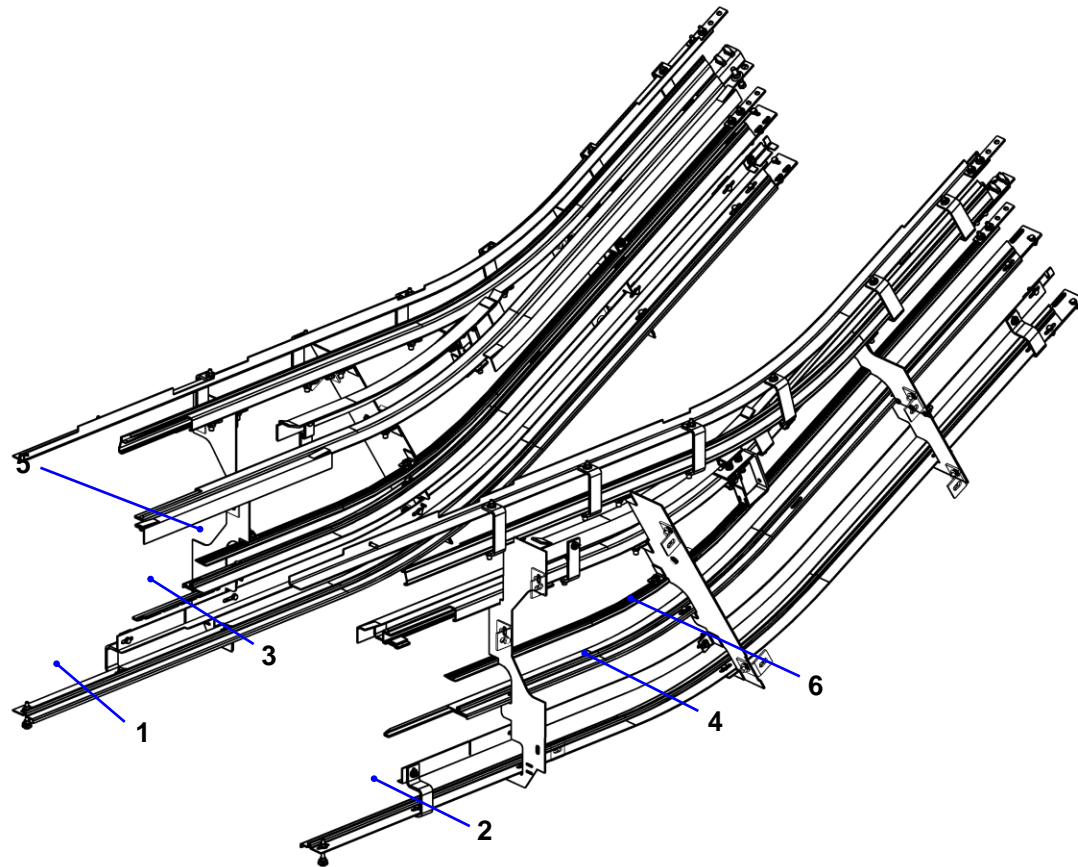
This document lists the lowest replaceable units (LRUs) for the standard version of the product. The LRUs are chosen by a team of Otis associates representing engineering and manufacturing.

While goal of this document is to make parts identification as easy as possible, the document cannot be all-inclusive. Elevator and escalator contracts classified as "special" or "custom" are not addressed here. For such contracts, please refer to specified information, the contract folder, TIPs, Field Education Articles, Construction Letters, etc. for further information.

If you have any suggestions about this document, please contact the subject matter expert listed on this page.

508NCE Escalator Track Lower Landing

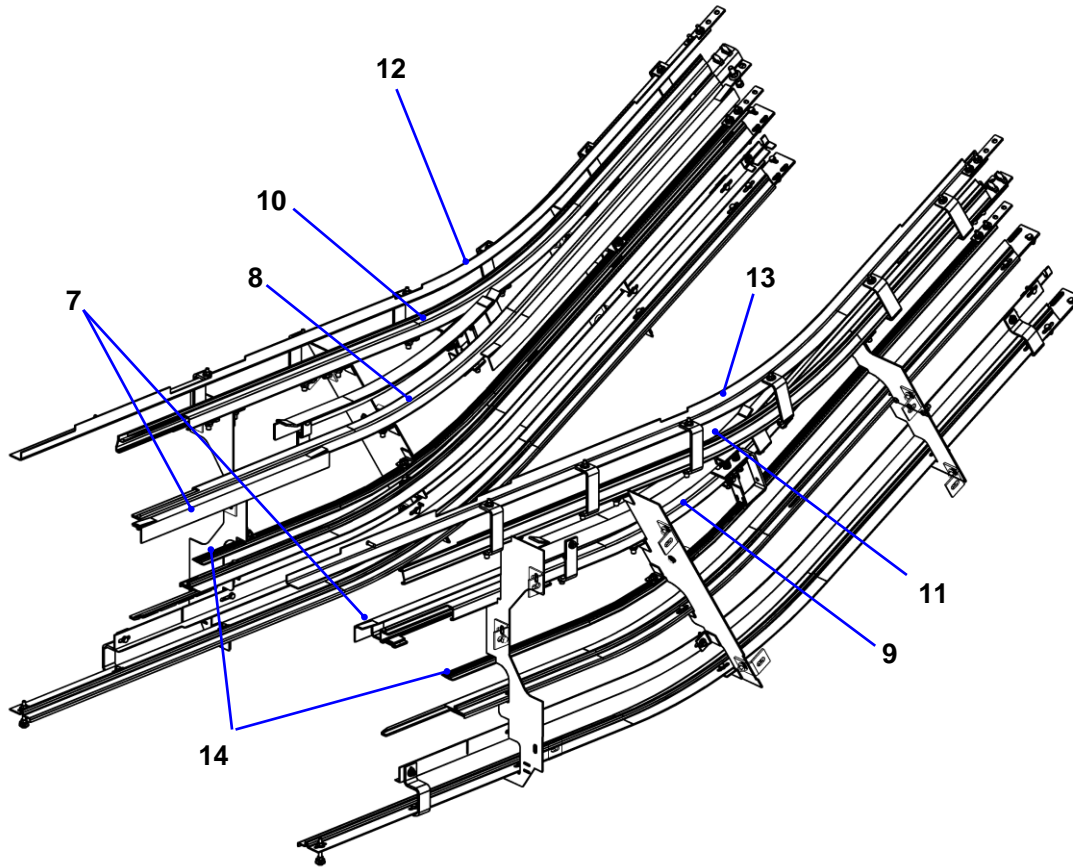
Spare Parts Leaflet
52-DAA26131AH



| DAA26131AH | | | |
|------------|------------|---|-------------|
| REF. No. | PART No. | DESCRIPTION | |
| 1 | DAA483EM11 | Track For Step Chain Roller, On Return Side, Left Side | 2 Flat Step |
| 2 | DAA483EM12 | Track For Step Chain Roller, On Return Side, Right Side | |
| 3 | DAA483EN11 | Track, Left Side | |
| 4 | DAA483EN12 | Track, Right Side | |
| 5 | DAA483EL11 | Track For Step Roller , On Return Side, Left Side | |
| 6 | DAA483EL12 | Track For Step Roller , On Return Side, Right Side | |

508NCE Escalator Track Lower Landing

**Spare Parts Leaflet
52-DAA26131AH**

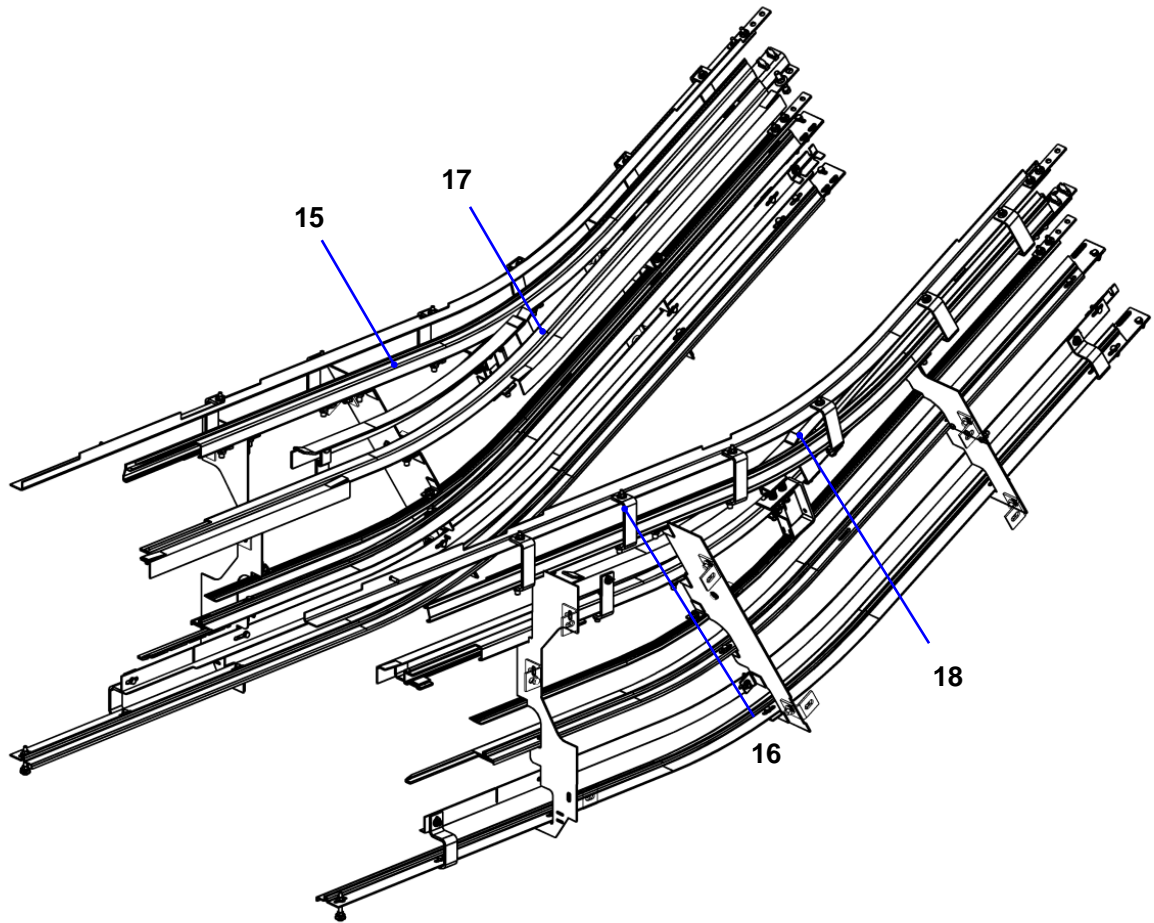


DAA26131AH

| REF. No. | PART No. | DESCRIPTION | |
|----------|------------|--|--------------|
| 7 | DAA483BAF7 | Upthrust Track, Left and Right Side | 2 Flat Steps |
| 8 | DAA483DW11 | Track For Step Roller, on Passenger Side, Left Side | |
| 9 | DAA483DW12 | Track For Step Roller, on Passenger Side, Right Side | |
| 10 | DAA483DV11 | Track For Step Chain Roller , on Passenger Side, Left Side | |
| 11 | DAA483DV12 | Track For Step Chain Roller, on Passenger Side, Right Side | |
| 12 | DAA483FB1 | Track, Left Side | |
| 13 | DAA483FB2 | Track, Right Side | |
| 14 | DAA483EW1 | Track, Left and Right Side | |

508NCE Escalator Track Lower Landing

Spare Parts Leaflet
52-DAA26131AH

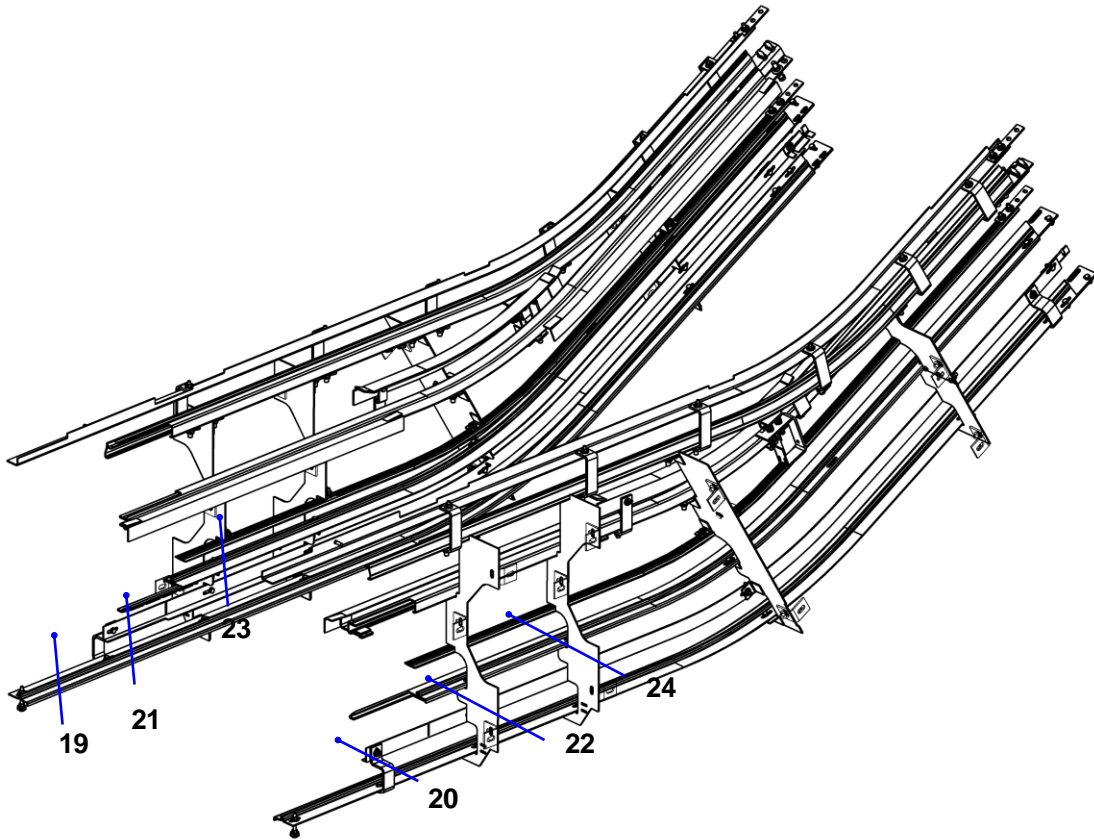


LOWER LANDING INDOOR

| DAA26131AH | | | |
|------------|-----------|----------------------------|--------------------|
| REF. No. | PART No. | DESCRIPTION | |
| 15 | DAA483EP3 | Upthrust Track, Left Side | 2 and 3 FLAT STEPS |
| 16 | DAA483EP4 | Upthrust Track, Right Side | |
| 17 | DAA483ER3 | Upthrust Track, Left Side | |
| 18 | DAA483ER4 | Upthrust Track, Right Side | |

508NCE Escalator Track Lower Landing

**Spare Parts Leaflet
52-DAA26131AH**

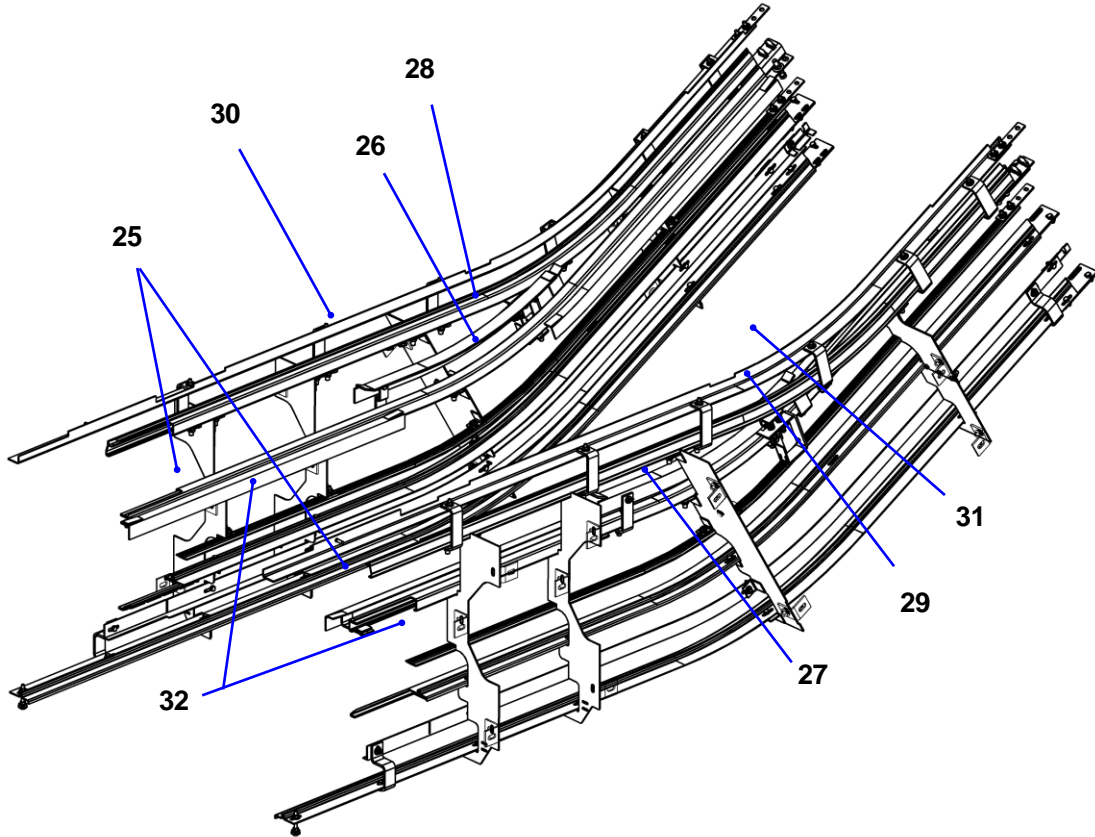


LOWER LANDING INDOOR

| DAA26131AH | | | |
|------------|------------|---|--------------|
| REF. No. | PART No. | DESCRIPTION | |
| 19 | DAA483EM13 | Track For Step Chain Roller, on Return Side, Left Side | 3 FLAT STEPS |
| 20 | DAA483EM14 | Track For Step Chain Roller, on Return Side, Right Side | |
| 21 | DAA483EN13 | Track, Left Side | |
| 22 | DAA483EN14 | Track, Right Side | |
| 23 | DAA483EL13 | Track For Step Roller, on Return Side, Left Side | |
| 24 | DAA483EL14 | Track For Step Roller, on Return Side, Right Side | |

508NCE Escalator Track Lower Landing

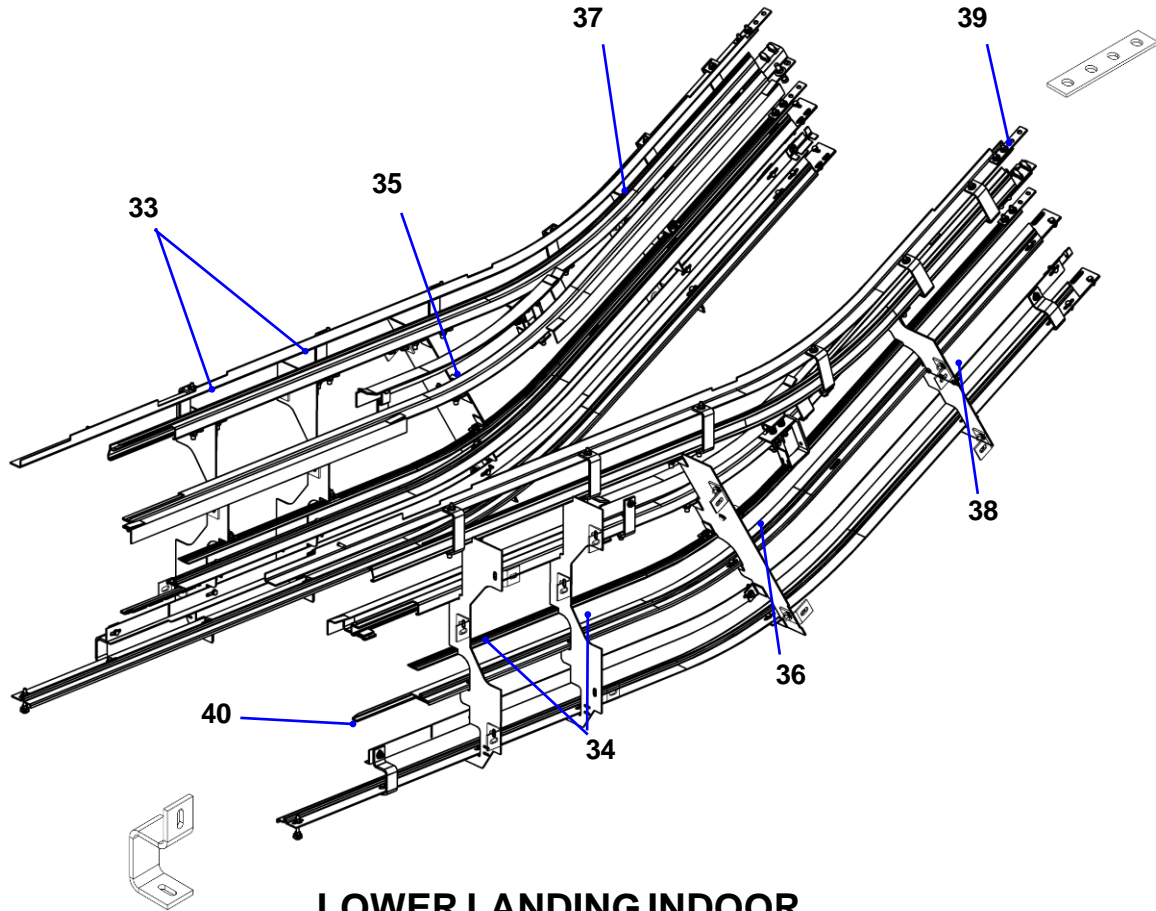
Spare Parts Leaflet
52-DAA26131AH



| DAA26131AH | | | |
|------------|-------------|--|--------------|
| REF. No. | PART No. | DESCRIPTION | |
| 25 | DAA483BAF10 | Upthrust Track, Left and Right Side | 3 Flat Steps |
| 26 | DAA483DW13 | Track for Step Roller, on Passenger Side, Left Side | |
| 27 | DAA483DW14 | Track for Step Roller, on Passenger Side, Right Side | |
| 28 | DAA483DV13 | Track For Step Chain Roller , on Passenger Side, Left Side | |
| 29 | DAA483DV14 | Track For Step Chain Roller, on Passenger Side, Right Side | |
| 30 | DAA483FB3 | Track, Left Side | |
| 31 | DAA483FB4 | Track, Right Side | |
| 32 | DAA483EW2 | Track, Left and Right Side | |

508NCE Escalator Track Lower Landing

Spare Parts Leaflet 52-DAA26131AH

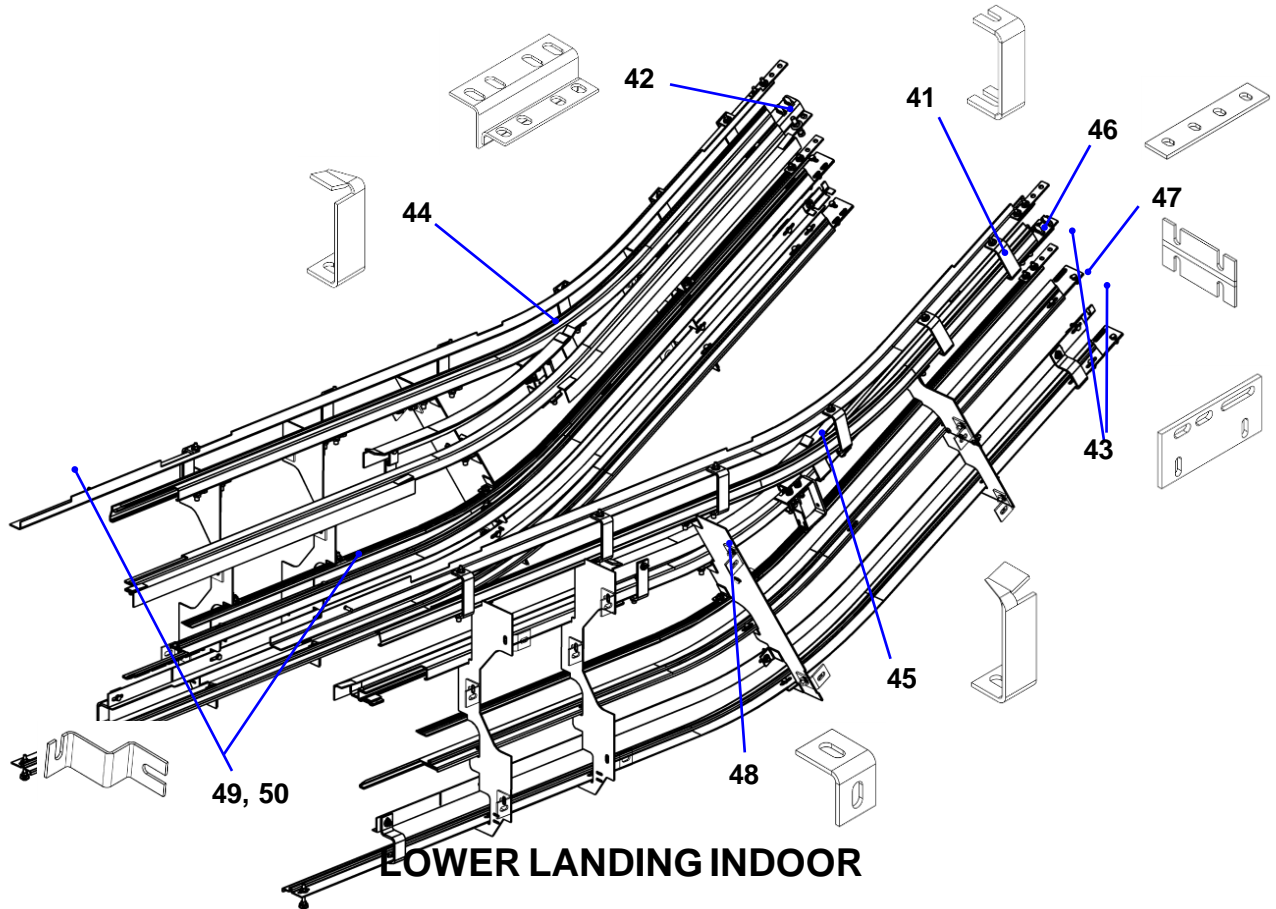


LOWER LANDING INDOOR

| DAA26131AH | | |
|------------|------------|---------------------|
| REF. No. | PART No. | DESCRIPTION |
| 33 | DAA318CB1 | Bracket, Left Side |
| 34 | DAA318CB2 | Bracket, Right Side |
| 35 | DAA318CR1 | Bracket, Left Side |
| 36 | DAA318CR2 | Bracket, Right Side |
| 37 | DAA318DZ1 | Bracket, Left Side |
| 38 | DAA318DZ2 | Bracket, Right Side |
| 39 | DAA298AC1 | Plate |
| 40 | GAA180AZT1 | Holder |

508NCE Escalator Track Lower Landing

Spare Parts Leaflet 52-DAA26131AH



| DAA26131AH | | | |
|------------|------------|---------------------|---------------------------------|
| REF. No. | PART No. | DESCRIPTION | |
| 41 | DAA180HX1 | Holder | |
| 42 | GBA283AYY1 | Angle | |
| 43 | GAA299ATJ1 | Bar | |
| 44 | GO180AAA1 | Holder, Left Side | |
| 45 | GO180AAA2 | Holder, Right Side | |
| 46 | GO298WT2 | Bar | |
| 47 | GAA283BCE1 | Angle | |
| 48 | GAA283AZL1 | Bracket | |
| 49 | DAA283XQ1 | Bracket, Left Side | For connecting with floor plate |
| 50 | DAA283XQ2 | Bracket, Right Side | |