

508NCE Escalator DAA26131AJ

History

Leaflet Description

508NCE ANSI ESCALATOR TRACK UPPER LANDING, INDOOR

Leaflet Revisions

Date Revised	Subject Matter Expert	Reason for Revision
Oct. 30, 2009	Liu, Zhaohui	Original document
Nov. 23, 2010	Liu, Zhaohui	Ref 6, description "left side" changed to "right side" on Pg3. Ref 26, description "left side" changed to "right side" on Pg6.

Related Drawings

Drawing No.	Title	Drawing No.	Title
DAA26131AJ	Track upper landing		

Related Documents

Document ID	Title
BOM DAA26131AJ	Track upper landing

Subject Matter Expert

Name	Department
Liu, Zhaohui	SIT GUANGZHOU

About Spare Parts Leaflets...

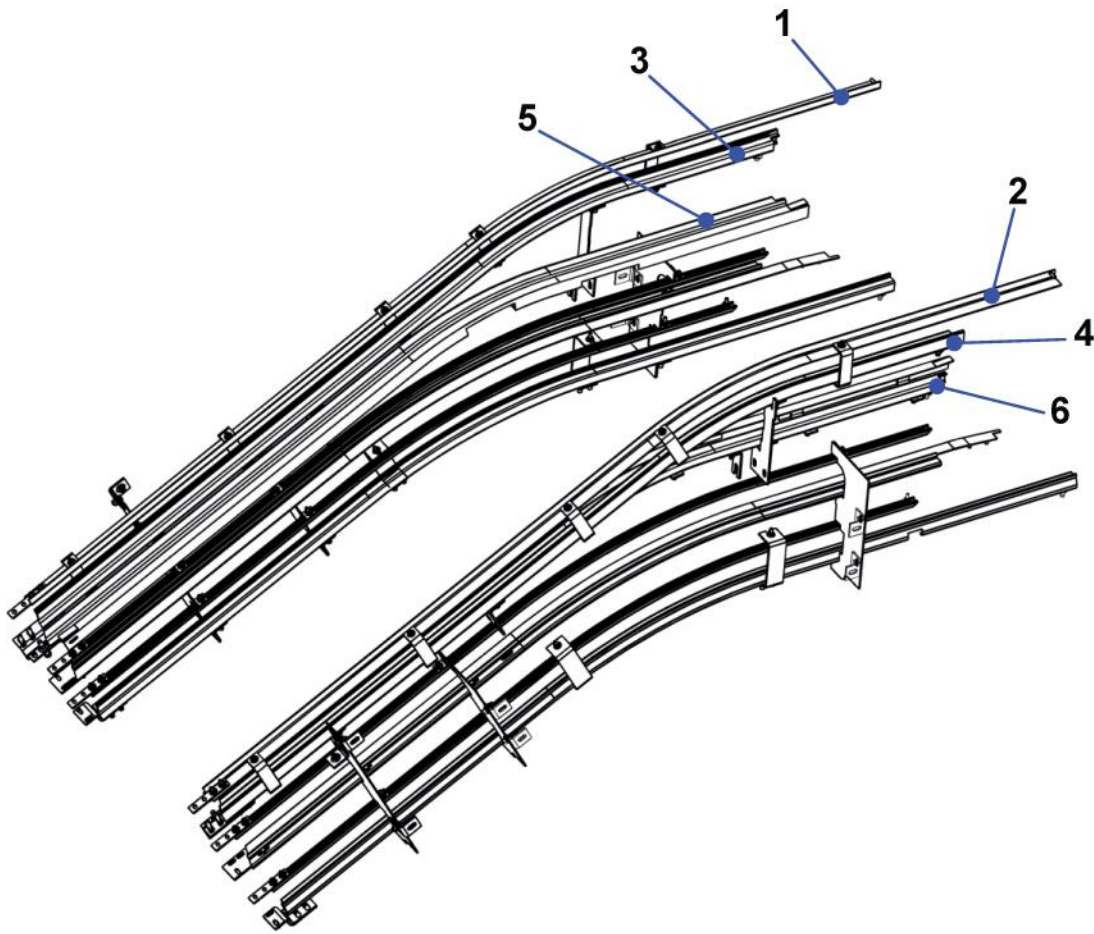
This document lists the lowest replaceable units (LRUs) for the standard version of the product. The LRUs are chosen by a team of Otis associates representing engineering and manufacturing.

While goal of this document is to make parts identification as easy as possible, the document cannot be all-inclusive. Elevator and escalator contracts classified as "special" or "custom" are not addressed here. For such contracts, please refer to specified information, the contract folder, TIPS, Field Education Articles, Construction Letters, etc. for further information.

If you have any suggestions about this document, please contact the subject matter expert listed on this page.

508NCE Escalator Track Upper Landing

52-DAA26131AJ

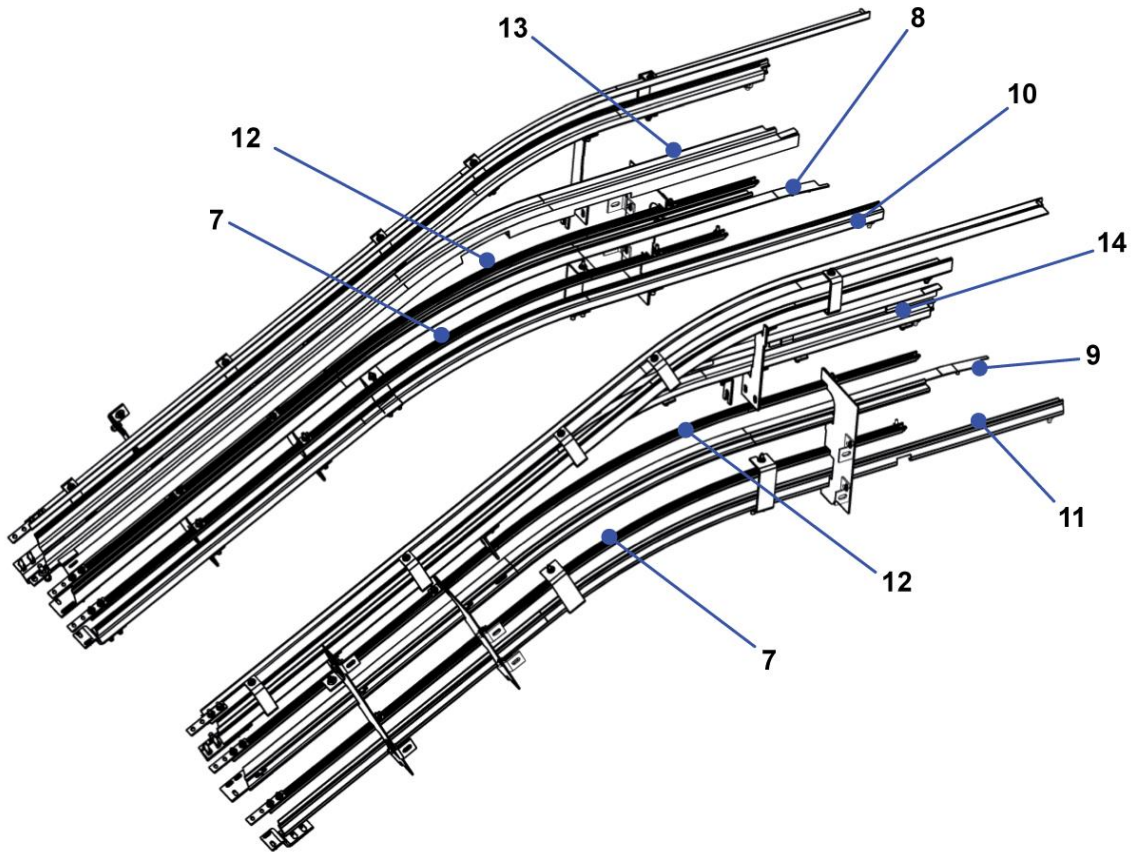


UPPER LANDING INDOOR

DAA26131AJ			
REF. No.	PART No.	Description	
1	DAA483FV1	Track, Left Side	2 Flat Steps
2	DAA483FV2	Track, Right Side	
3	DAA483DZ11	Track For Step Chain Roller, on Passenger Side, Left Side	
4	DAA483DZ12	Track For Step Chain Roller, on Passenger Side, Right Side	
5	DAA483EA11	Track For Step Roller , on Passenger Side, Left Side	
6	DAA483EA12	Track For Step Roller , on Passenger Side, Right Side	

508NCE Escalator Track Upper Landing

52-DAA26131AJ

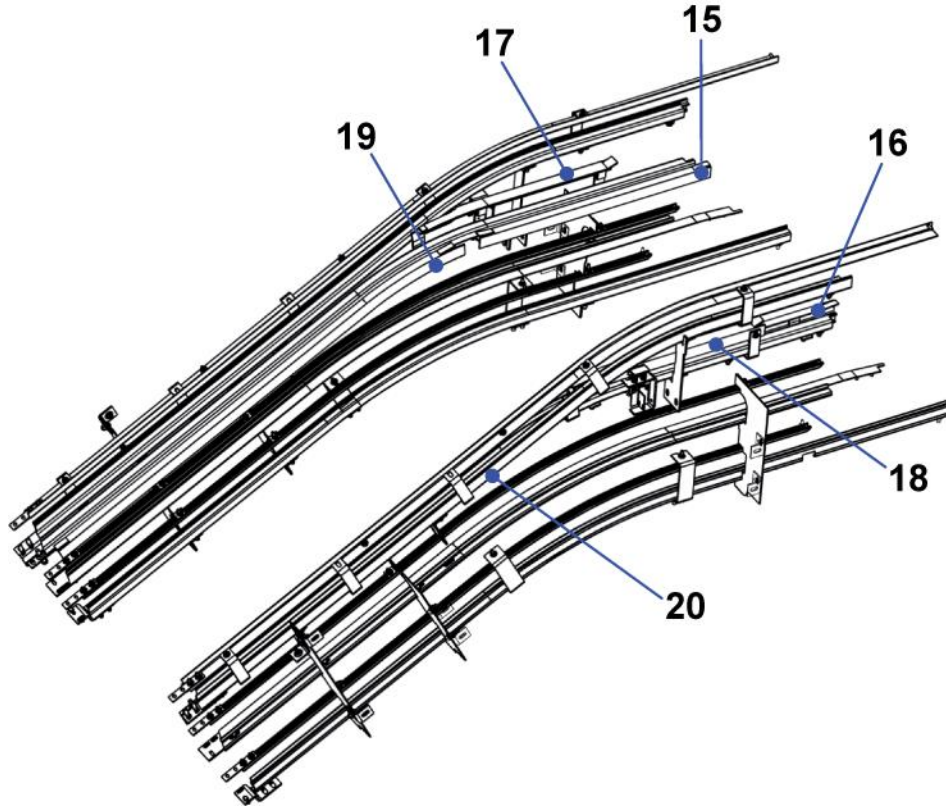


UPPER LANDING INDOOR

DAA26131AJ			
REF. No.	PART No.	DESCRIPTION	
7	DAA483ED3	Track, Left and Right Side	2 Flat Steps
8	DAA483EB7	Track For Step Roller, On Return Side, Left Side	
9	DAA483EB8	Track For Step Roller, On Return Side, Right Side	
10	DAA483EC7	Track For Step Chain Roller, On Return Side, Left Side	
11	DAA483EC8	Track For Step Chain Roller, On Return Side, Right Side	
12	DAA483EX1	Track, Left and Right Side	
13	DAA483ES11	Upthrust Track, Left Side	
14	DAA483ES12	Upthrust Track, Right Side	

508NCE Escalator Track Upper Landing

52-DAA26131AJ

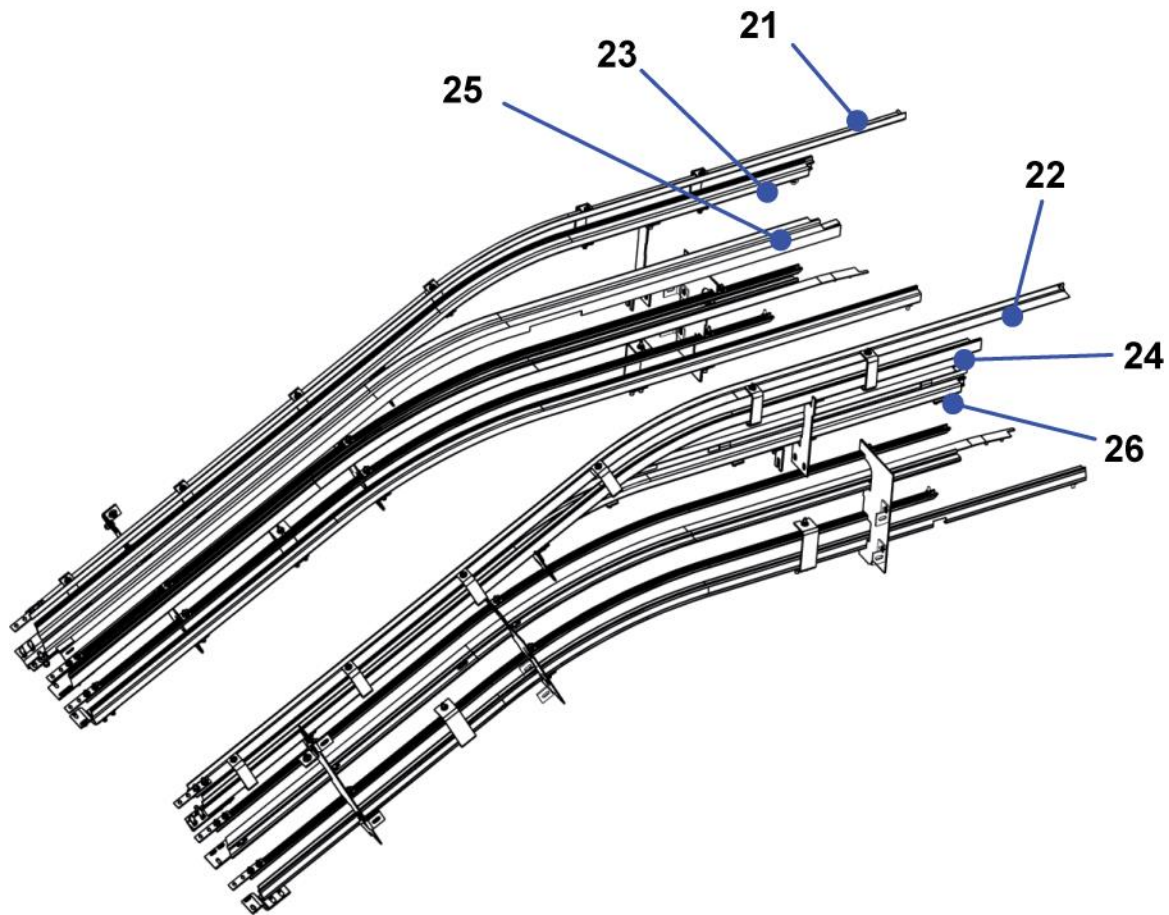


UPPER LANDING INDOOR, WITH STEP UPTHRUST DEVICE

DAA26131AJ			
REF. No.	PART No.	DESCRIPTION	
15	DAA483FM3	Upthrust Track, Left Side	2 Flat Steps
16	DAA483FM4	Upthrust Track, Right Side	
17	DAA483FN1	Step Upthrust Track Assembly, Left Side	
18	DAA483FN2	Step Upthrust Track Assembly, Right Side	
19	DAA483FK1	Upthrust Track, Left Side	
20	DAA483FK2	Upthrust Track, Right Side	

508NCE Escalator Track Upper Landing

52-DAA26131AJ

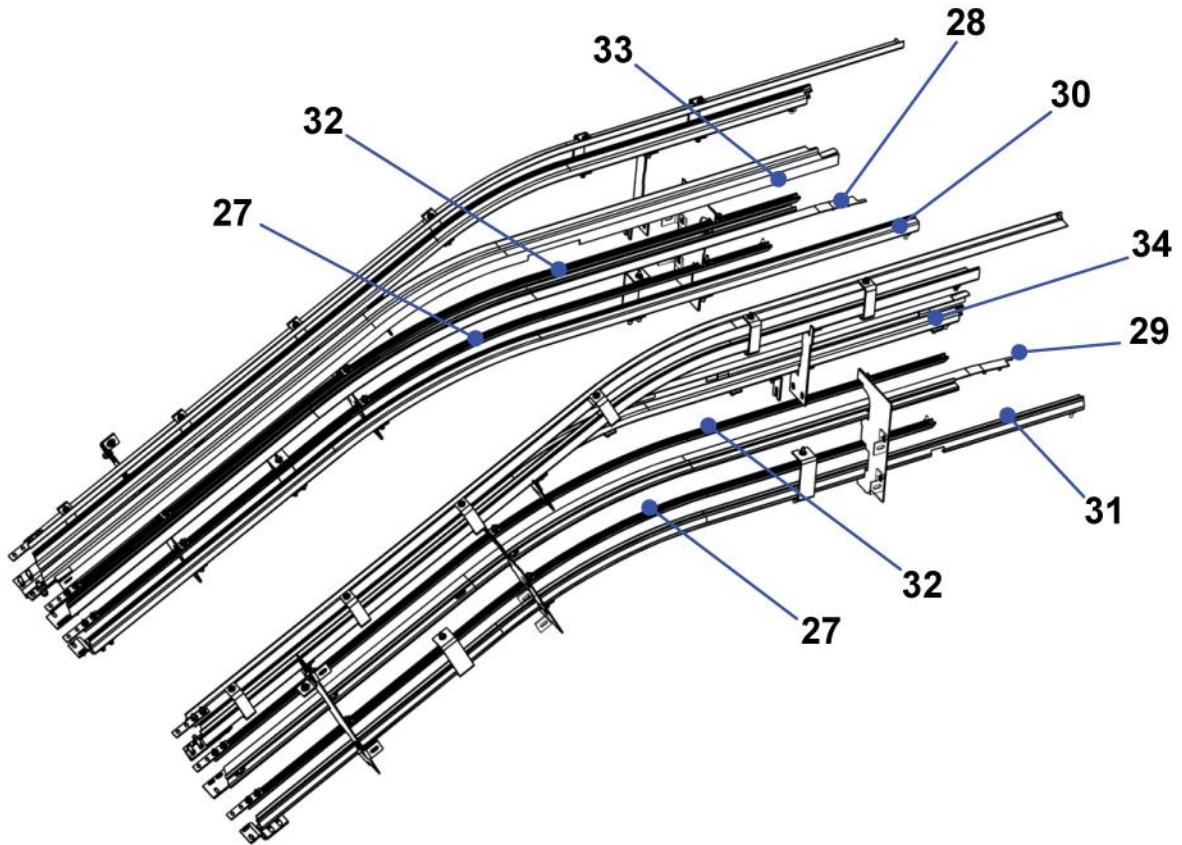


UPPER LANDING INDOOR

DAA26131AJ			
REF. No.	PART No.	DESCRIPTION	
21	DAA483FV3	Track, Left Side	3 Flat Steps
22	DAA483FV4	Track, Right Side	
23	DAA483DZ13	Track For Step Chain Roller, On Passenger Side, Left Side	
24	DAA483DZ14	Track For Step Chain Roller, On Passenger Side, Right Side	
25	DAA483EA13	Track For Step Roller , On Passenger Side, Left Side	
26	DAA483EA14	Track For Step Roller , On Passenger Side, Right Side	

508NCE Escalator Track Upper Landing

52-DAA26131AJ

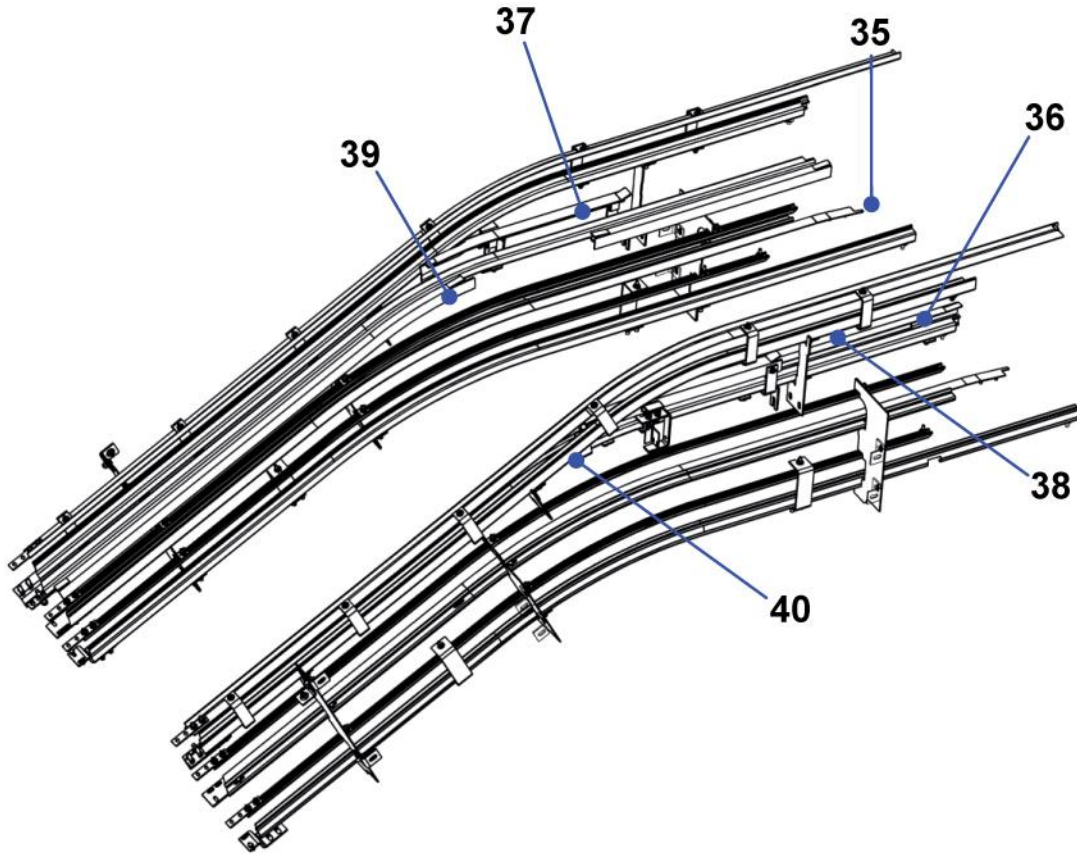


UPPER LANDING INDOOR

DAA26131AJ			
REF. No.	PART No.	DESCRIPTION	
27	DAA483ED4	Track, Left and Right Side	3 Flat Steps
28	DAA483EB9	Track For Step Roller, on Return Side, Left Side	
29	DAA483EB10	Track For Step Roller, on Return Side, Right Side	
30	DAA483EC9	Track For Step Chain Roller, on Return Side, Left Side	
31	DAA483EC10	Track For Step Chain Roller , on Return Side, Right Side	
32	DAA483EX2	Track, Left and Right Side	
33	DAA483ES13	Upthrust Track, Left Side	
34	DAA483ES14	Upthrust Track, Right Side	

508NCE Escalator Track Upper Landing

52-DAA26131AJ

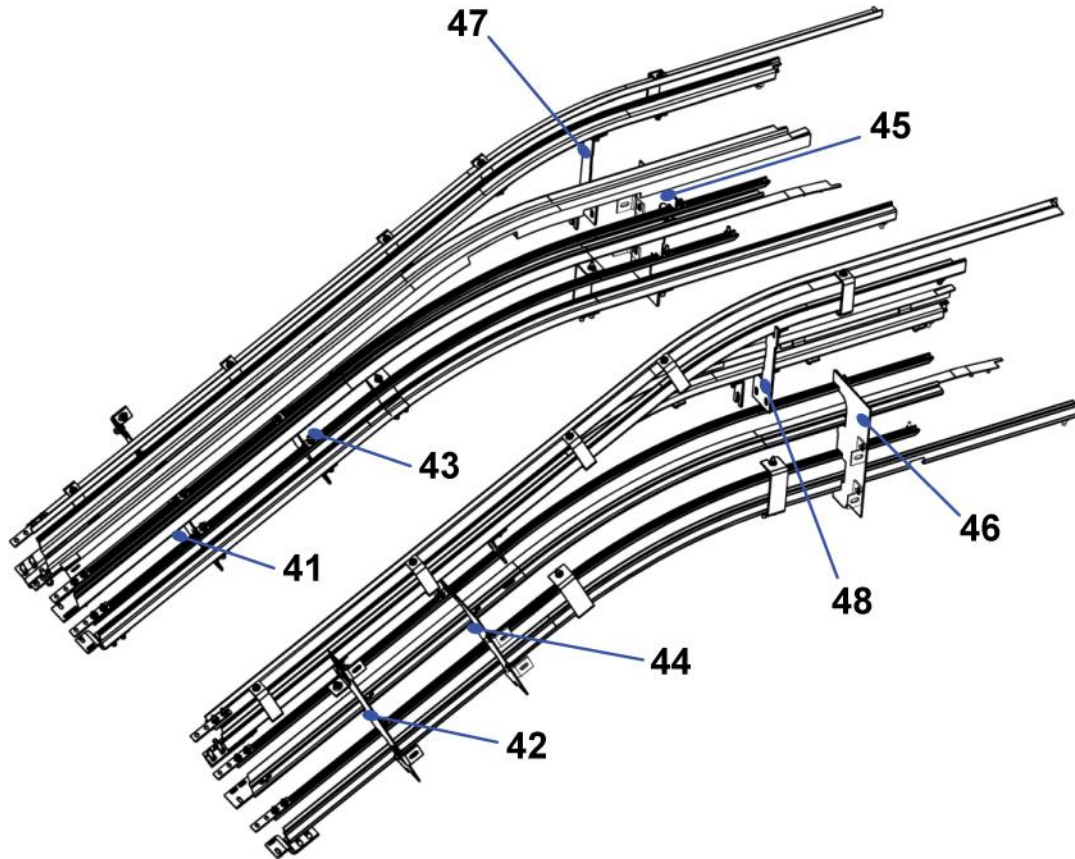


UPPER LANDING INDOOR, WITH STEP UPTHURST DEVICE

DAA26131AJ			
REF. No.	PART No.	DESCRIPTION	
35	DAA483BAF11	Upthrust Track, Left Side	3 Flat Steps
36	DAA483BAF12	Upthrust Track, Right Side	
37	DAA483FN1	Step Upthrust Track Assembly, Left Side	
38	DAA483FN2	Step Upthrust Track Assembly, Right Side	
39	DAA483FK1	Upthrust Track, Left Side	
40	DAA483FK2	Upthrust Track, Right Side	

508NCE Escalator Track Upper Landing

52-DAA26131AJ

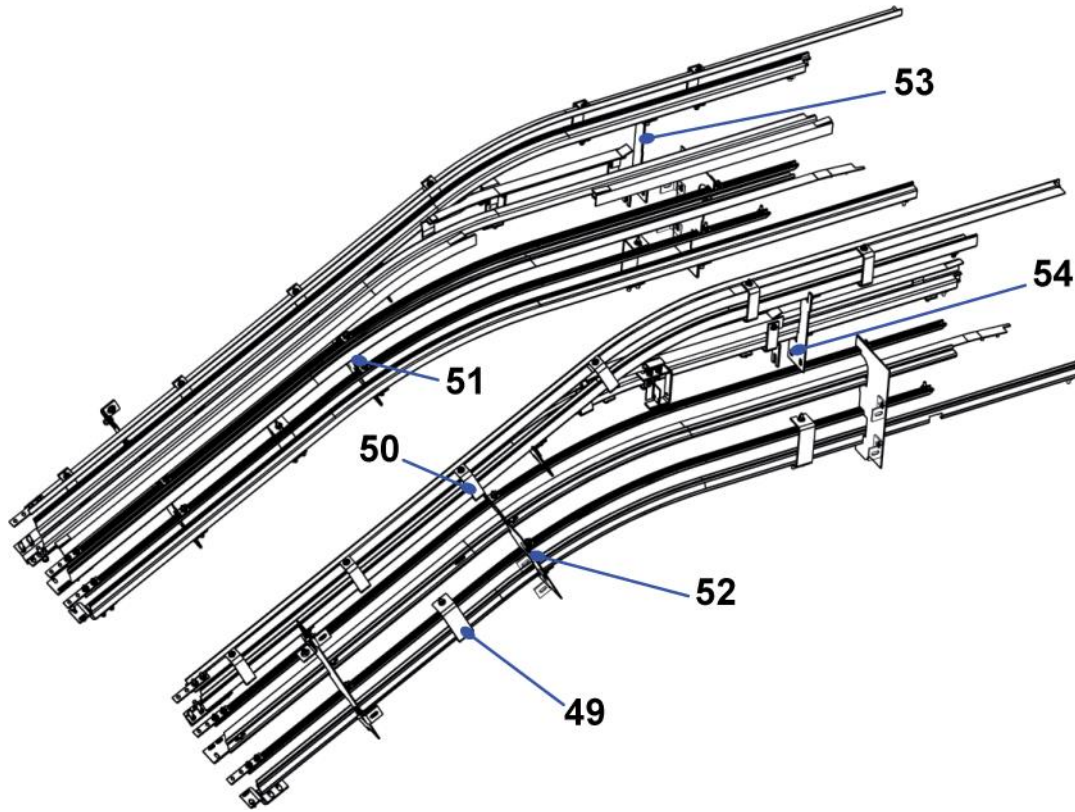


UPPER LANDING INDOOR

DAA26131AJ		
REF. No.	PART No.	DESCRIPTION
41	DAA318CM1	Bracket, Left Side, For Both 2 and 3 Flat Steps
42	DAA318CM2	Bracket, Right Side, For Both 2 and 3 Flat Steps
43	DAA318CE3	Bracket, Left Side, Only For 2 Flat Steps
44	DAA318CE4	Bracket, Right Side, Only For 2 Flat Steps
45	DAA318CA7	Bracket, Left Side, For Both 2 and 3 Flat Steps
46	DAA318CA8	Bracket, Right Side, For Both 2 and 3 Flat Steps
47	DAA318CN1	Bracket, Left Side, Only For 2 Flat Steps
48	DAA318CN2	Bracket, Right Side, Only For 2 Flat Steps

508NCE Escalator Track Upper Landing

52-DAA26131AJ

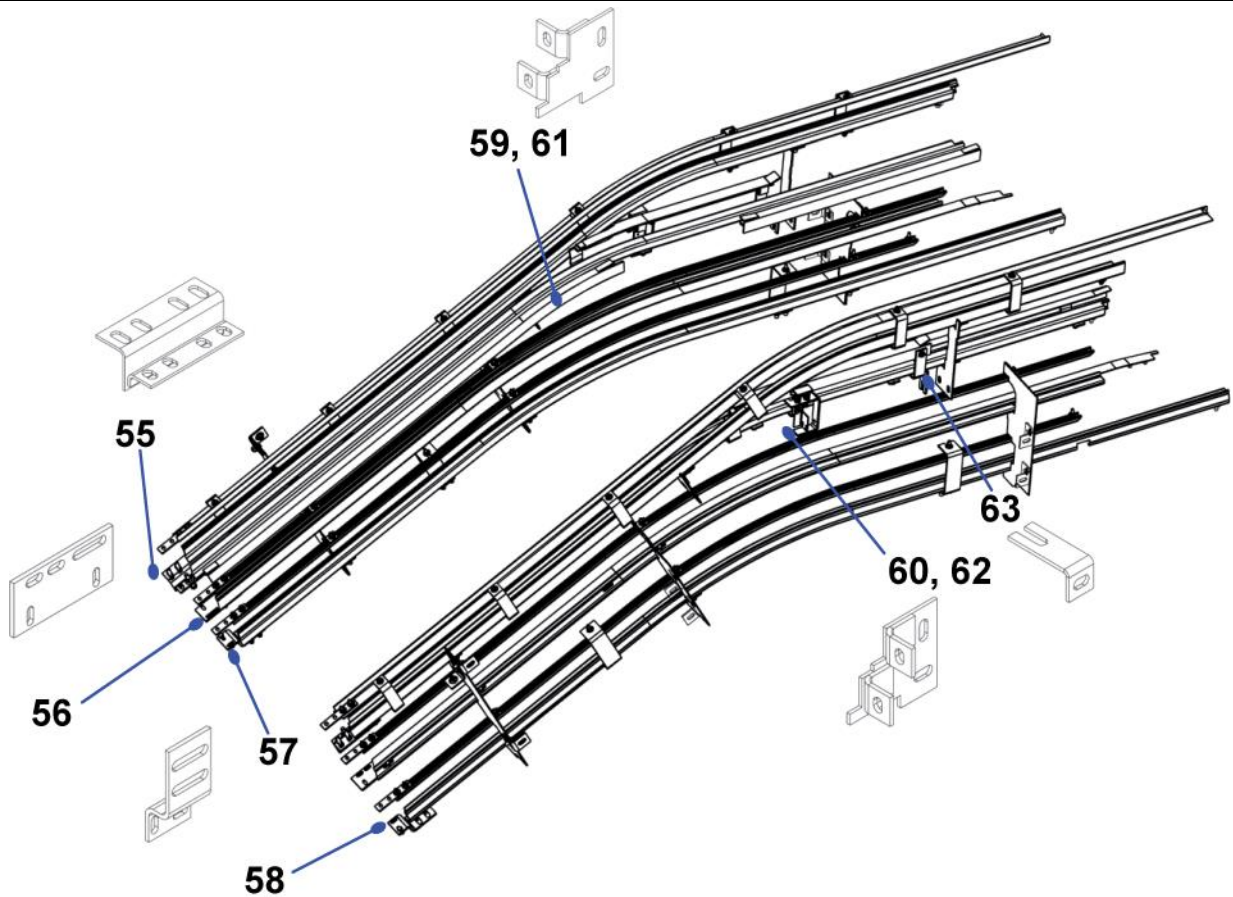


UPPER LANDING INDOOR

REF. No.	PART No.	DESCRIPTION
	DAA26131AJ	
49	GO318CB6	Bracket, For Both 2 and 3 Flat Steps
50	DAA180JF1	Bracket, For Both 2 and 3 Flat Steps
51	DAA318CA9	Bracket, Left Side, Only For 3 Flat Steps
52	DAA318CA10	Bracket, Right Side, Only For 3 Flat Steps
53	DAA318CN3	Bracket, Left Side, Only For 3 Flat Steps
54	DAA318CN4	Bracket, Right Side, Only For 3 Flat Steps

508NCE Escalator Track Upper Landing

52-DAA26131AJ

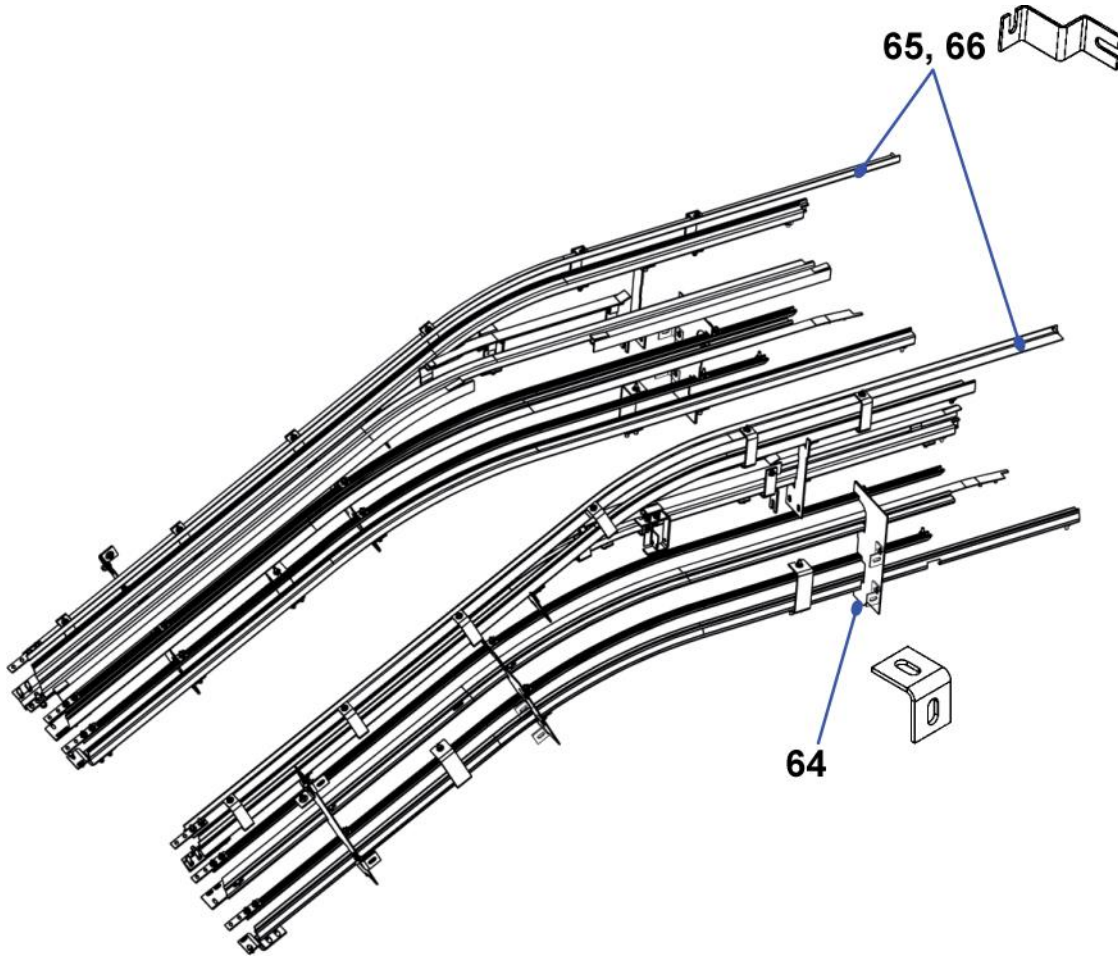


UPPER LANDING INDOOR

REF. No.	PART No.	DESCRIPTION
	DAA26131AJ	
55	GBA283AYY1	Angle, for Both 2 and 3 Flat Steps
56	GAA299ATJ1	Bar, for Both 2 and 3 Flat Steps
57	GAA180AZS1	Holder, for Both 2 and 3 Flat Steps
58	GAA180AZS2	Holder, for Both 2 and 3 Flat Steps
59	DAA283XP3	Bracket, Left Side, Only for 2 Flat Steps
60	DAA283XP4	Bracket, Right Side, Only for 2 Flat Steps
61	DAA318CD1	Bracket, Left Side, Only for 3 Flat Steps
62	DAA318CD2	Bracket, Right Side, Only for 3 Flat Steps
63	DAA283VX1	Bracket, for Both 2 and 3 Flat Steps

508NCE Escalator Track Upper Landing

52-DAA26131AJ



UPPER LANDING INDOOR

DAA26131AJ			
REF. No.	PART No.	DESCRIPTION	
64	GAA283AZL1	Bracket	
65	DAA283XQ1	Bracket, Left Side	For connecting with floor plate
66	DAA283XQ2	Bracket, Right Side	