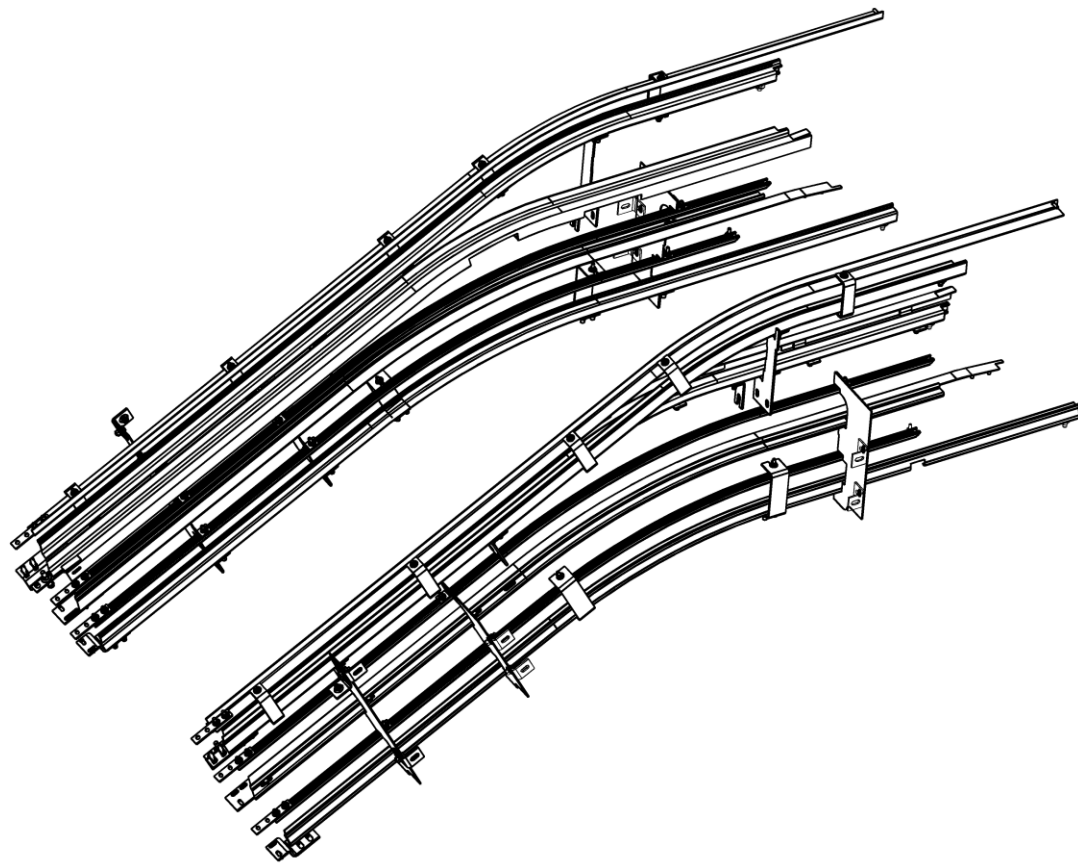


508NCE Escalator Track Upper Landing

Spare Parts Leaflet

52-DAA26131AM

Nov. 23, 2010 / Page 1 of 12



OTIS

Safety First!

ESCALATOR ENGINEERING
Otis Elevator Company
SIT GUANGZHOU

508NCE Escalator DAA26131AM

History

Leaflet Description

508NCE ANSI escalator track upper landing, outdoor.

Leaflet Revisions

Date Revised	Subject Matter Expert	Reason for Revision
Oct. 30, 2009	Liu, Zhaohui	Original document
Nov. 23, 2010	Liu, Zhaohui	Ref 3, description "left side" changed to "right side" on Pg6. Ref 28, description "left side" changed to "right side" on Pg26. Ref 50 "DAA318CA107" changed to "DAA318CA108" on Pg9.

Related Drawings

Drawing No.	Title	Drawing No.	Title
DAA26131AM	Track upper landing		

Related Documents

Document ID	Title
BOM DAA26131AM	Track upper landing

Subject Matter Expert

Name	Department
Liu, Zhaohui	SIT GUANGZHOU

About Spare Parts Leaflets...

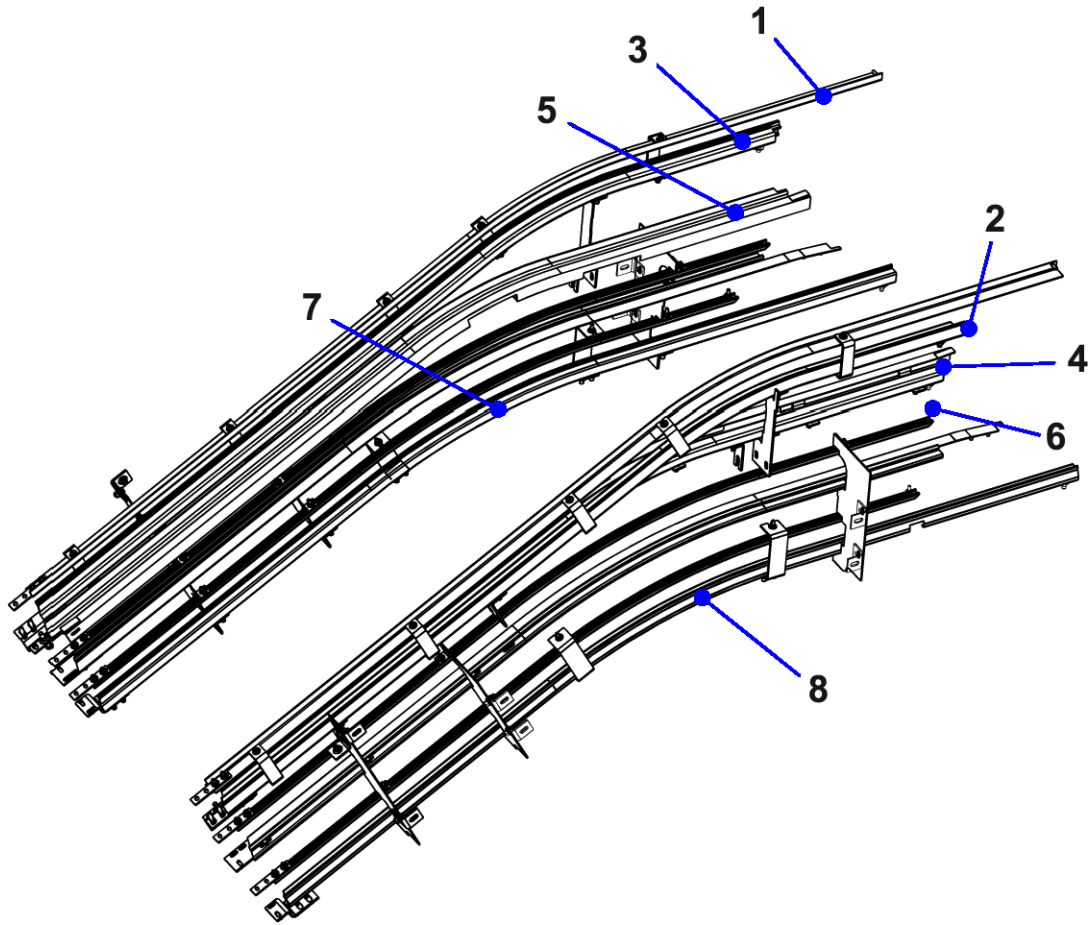
This document lists the lowest replaceable units (LRUs) for the standard version of the product. The LRUs are chosen by a team of Otis associates representing engineering and manufacturing.

While goal of this document is to make parts identification as easy as possible, the document cannot be all-inclusive. Elevator and escalator contracts classified as "special" or "custom" are not addressed here. For such contracts, please refer to specified information, the contract folder, TIPS, Field Education Articles, Construction Letters, etc. for further information.

If you have any suggestions about this document, please contact the subject matter expert listed on this page.

508NCE Escalator Track Upper Landing

52-DAA26131AM



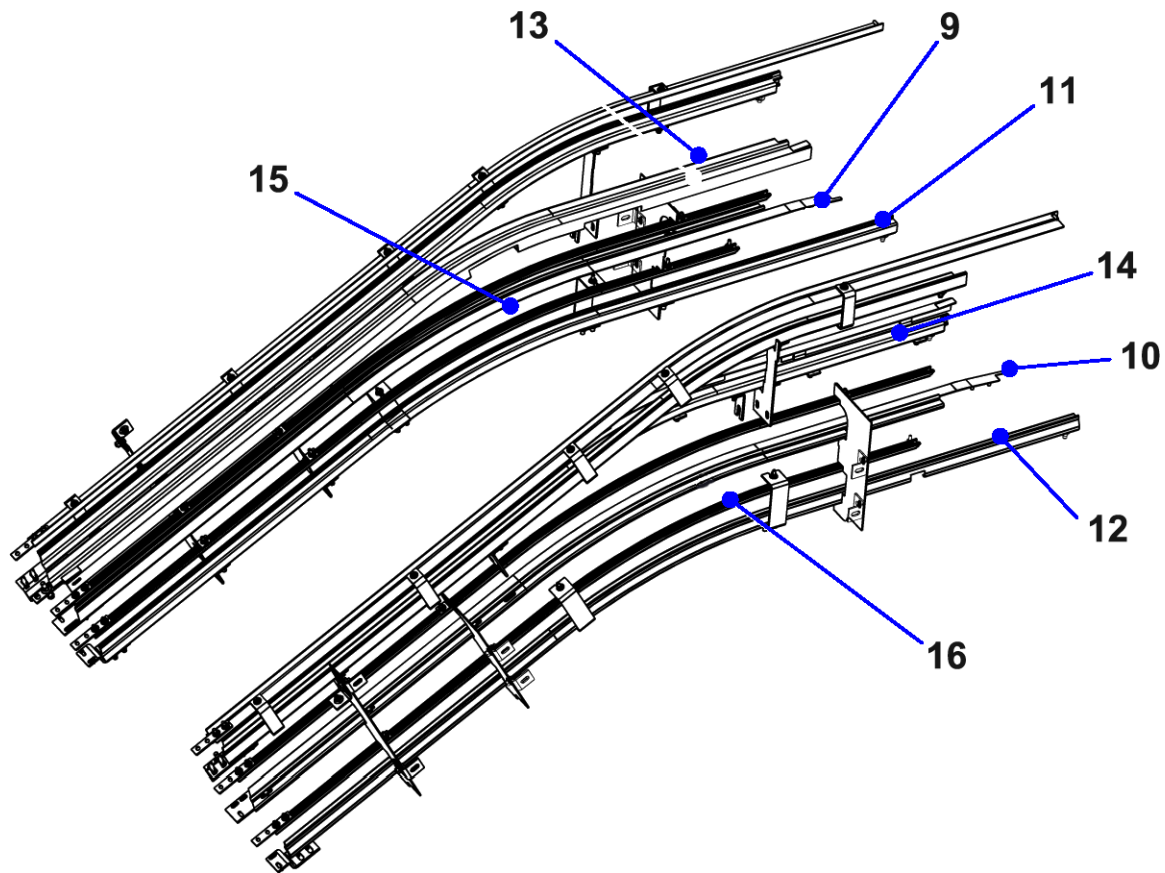
UPPER LANDING OUTDOOR

DAA26131AM

REF. No.	PART No.	DESCRIPTION	
1	DAA483FV5	Track, Left Side	2 Flat Steps
2	DAA483FV6	Track, Right Side	
3	DAA483DZ111	Track for Step Chain Roller, on Passenger Side, Left Side	
4	DAA483DZ112	Track for Step Chain Roller, on Passenger Side, Right Side	
5	DAA483EA111	Track for Step Roller, on Passenger Side, Left Side	
6	DAA483EA112	Track for Step Roller, on Passenger Side, Right Side	
7	DAA483FH1	Track with Cover, Left Side	
8	DAA483FH2	Track with Cover, Right Side	

508NCE Escalator Track Upper Landing

52-DAA26131AM



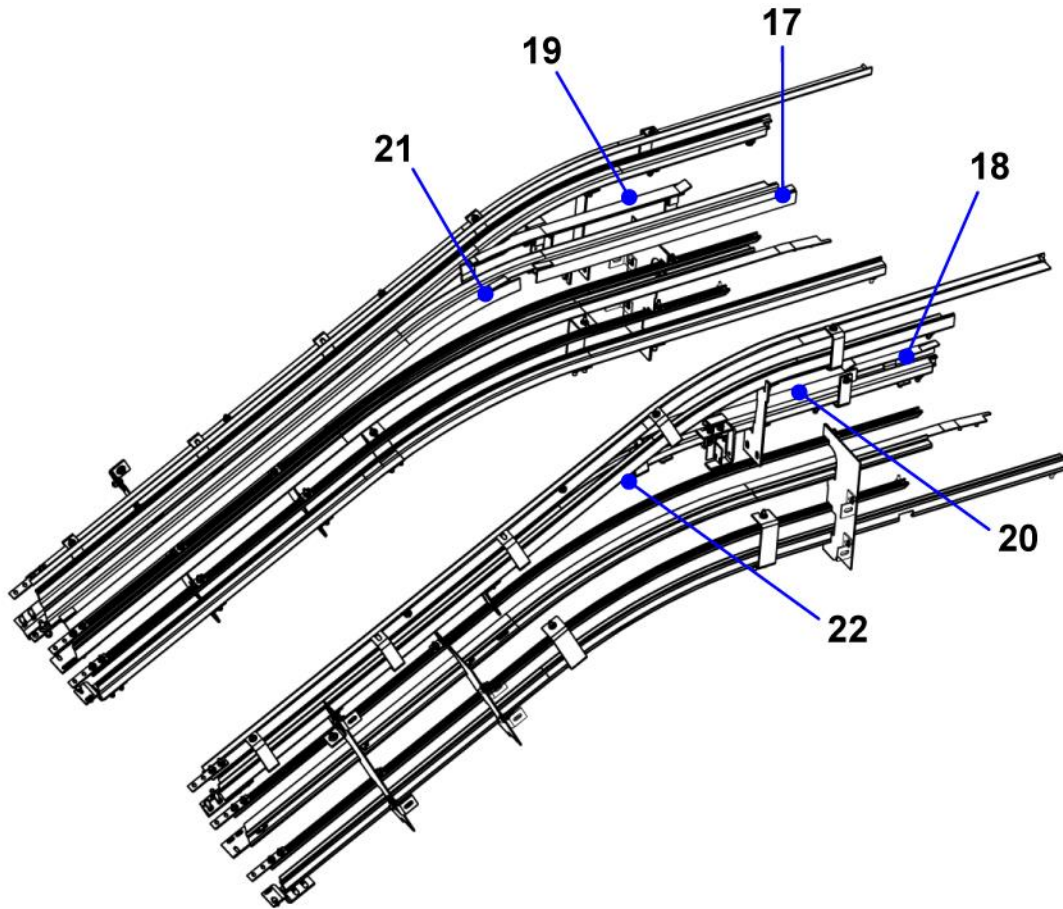
UPPER LANDING OUTDOOR

DAA26131AM

REF. No.	PART No.	DESCRIPTION	
9	DAA483EB107	Track For Step Roller, On Return Side, Left Side	2 Flat Steps
10	DAA483EB108	Track For Step Roller, On Return Side, Right Side	
11	DAA483EC107	Track For Step Chain Roller, on Return Side, Left Side	
12	DAA483EC108	Track For Step Chain Roller, on Return Side, Right Side	
13	DAA483ES111	Upthrust Track, Left Side	
14	DAA483ES112	Upthrust Track, Right Side	
15	DAA483FY1	Track For Step Roller, on Return Side, Left Side, With Cover	
16	DAA483FY2	Track For Step Roller, on Return Side, Right Side, With Cover	

508NCE Escalator Track Upper Landing

52-DAA26131AM

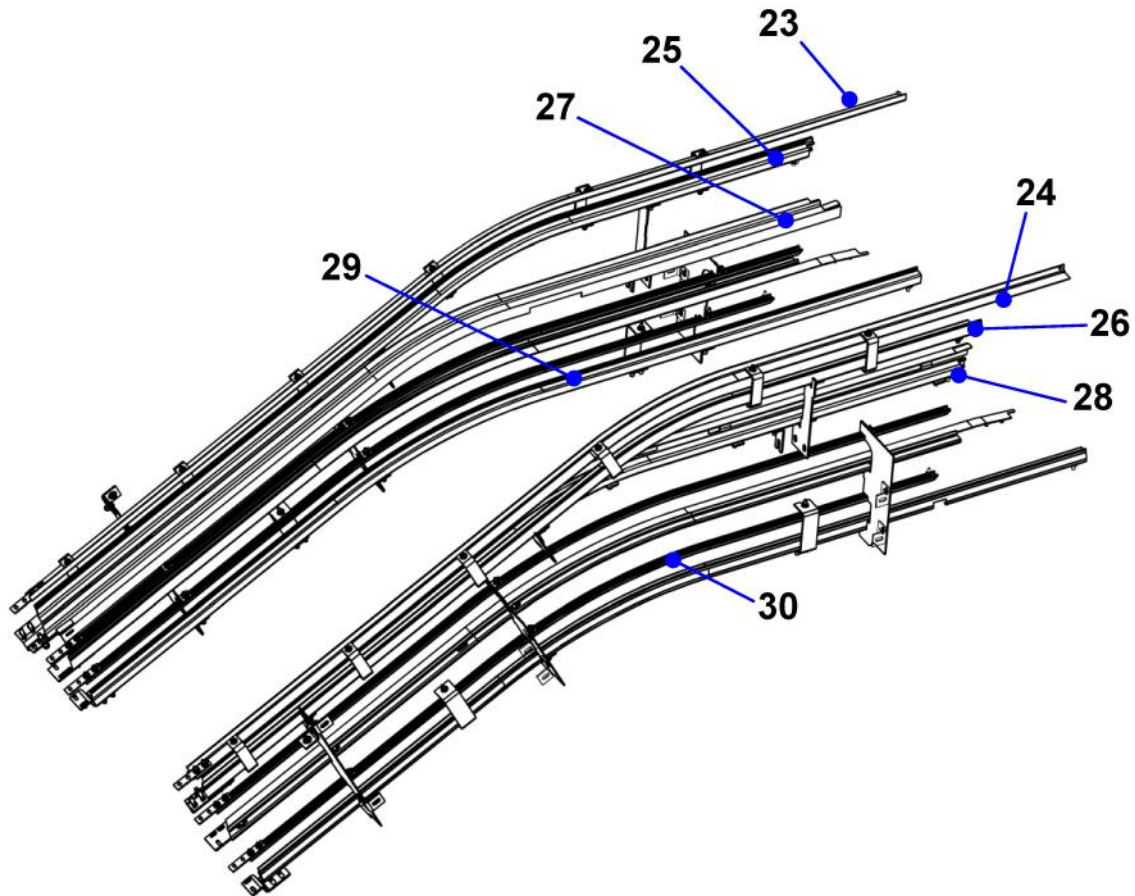


UPPER LANDING OUTDOOR, WITH STEP UP THRUST DEVICE

DAA26131AM			
REF. No.	PART No.	DESCRIPTION	
17	DAA483FM103	Upthrust Track, Left Side	2 Flat Steps
18	DAA483FM104	Upthrust Track, Right Side	
19	DAA483FN101	Step Upthrust Track Assembly, Left Side	
20	DAA483FN102	Step Upthrust Track Assembly, Right Side	
21	DAA483FK101	Upthrust Track, Left Side	
22	DAA483FK102	Upthrust Track, Right Side	

508NCE Escalator Track Upper Landing

52-DAA26131AM



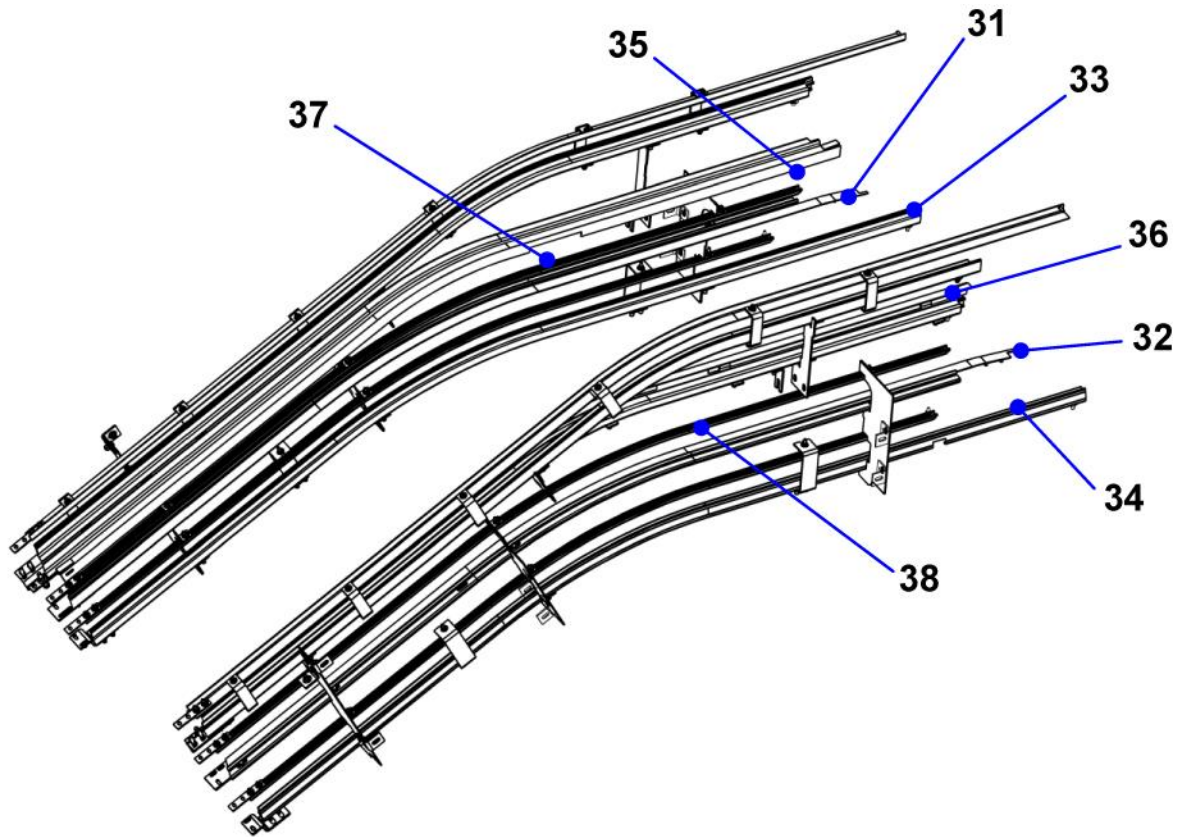
UPPER LANDING OUTDOOR

DAA26131AM

REF. No.	PART No.	DESCRIPTION	
23	DAA483FV7	Track, Left Side	3 Flat Steps
24	DAA483FV8	Track, Right Side	
25	DAA483DZ113	Track for Step Chain Roller on Passenger Side, Left Side	
26	DAA483DZ114	Track for Step Chain Roller on Passenger Side, Right Side	
27	DAA483EA113	Track for Step Roller on Passenger Side, Left Side	
28	DAA483EA114	Track for Step Roller On Passenger Side, Right Side	
29	DAA483FH3	Track with Cover, Left Side	
30	DAA483FH4	Track with Cover, Right Side	

508NCE Escalator Track Upper Landing

52-DAA26131AM



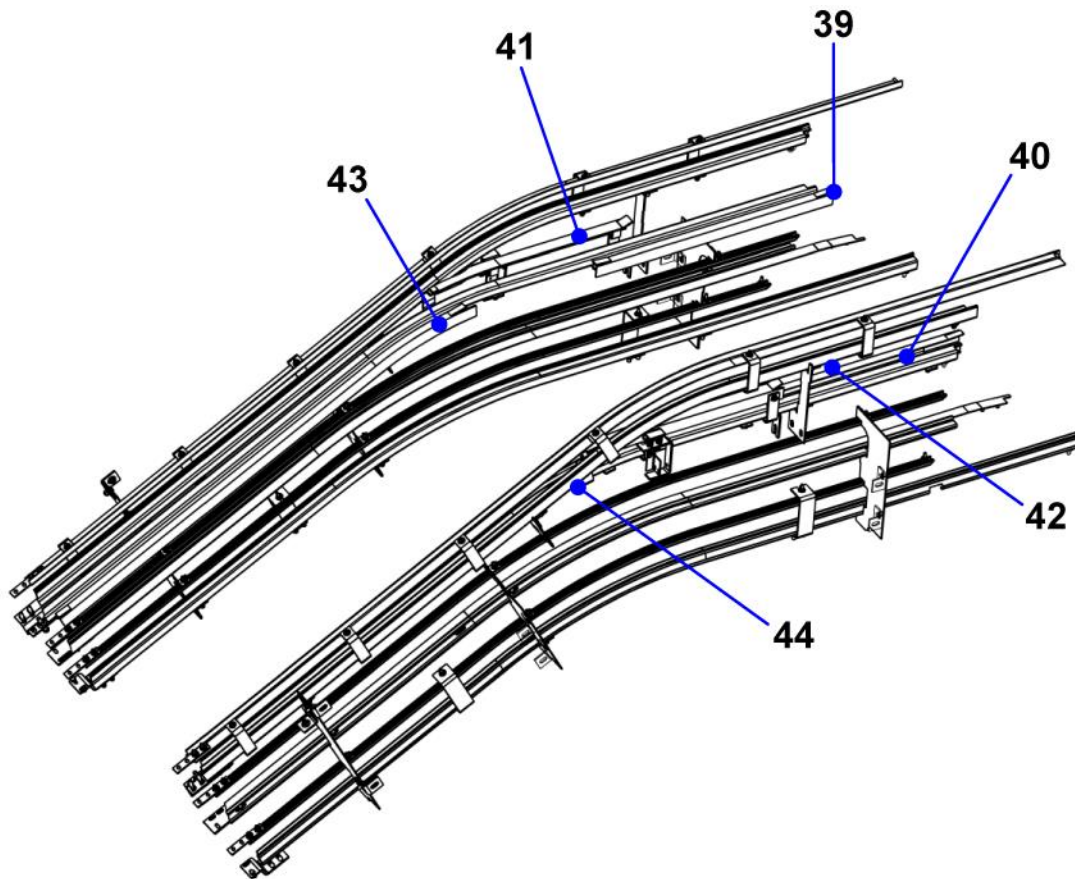
UPPER LANDING OUTDOOR

DAA26131AM		
REF. No.	PART No.	DESCRIPTION
31	DAA483EB109	Track for Step Roller on Return Side, Left Side
32	DAA483EB110	Track for Step Roller on Return Side, Right Side
33	DAA483EC109	Track for Step Chain Roller on Return Side, Left Side
34	DAA483EC110	Track for Step Chain Roller on Return Side, Right Side
35	DAA483ES113	Upthrust Track, Left Side
36	DAA483ES114	Upthrust Track, Right Side
37	DAA483FY3	Track for Step Roller on Return Side, Left Side, with Cover
38	DAA483FY4	Track for Step Roller on Return Side, Right Side, with Cover

3 Flat Steps

508NCE Escalator Track Upper Landing

52-DAA26131AM

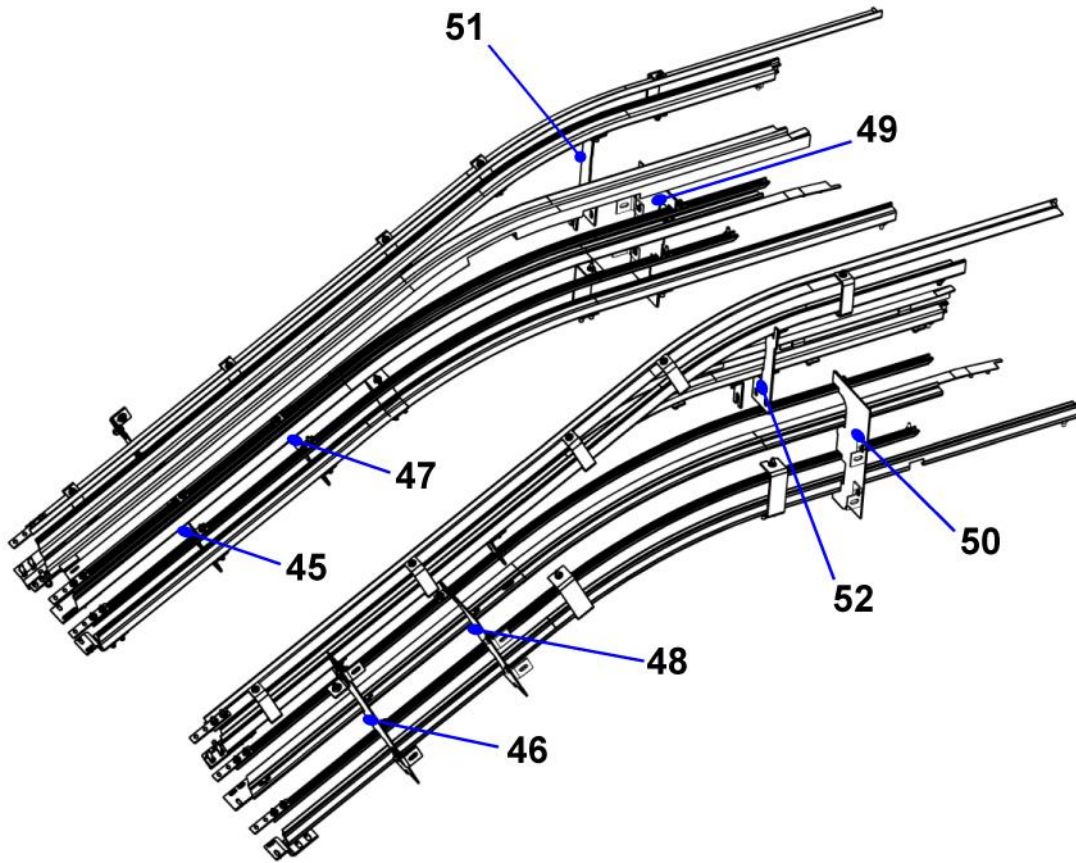


UPPER LANDING OUTDOOR, WITH STEP UPTHRUST DEVICE

DAA26131AM			
REF. No.	PART No.	DESCRIPTION	
39	DAA483BAF11	Upthrust Track, Left Side	3 Flat Steps
40	DAA483BAF12	Upthrust Track, Right Side	
41	DAA483FN101	Step Upthrust Track Assembly, Left Side	
42	DAA483FN102	Step Upthrust Track Assembly, Right Side	
43	DAA483FK101	Upthrust Track, Left Side	
44	DAA483FK102	Upthrust Track, Right Side	

508NCE Escalator Track Upper Landing

52-DAA26131AM

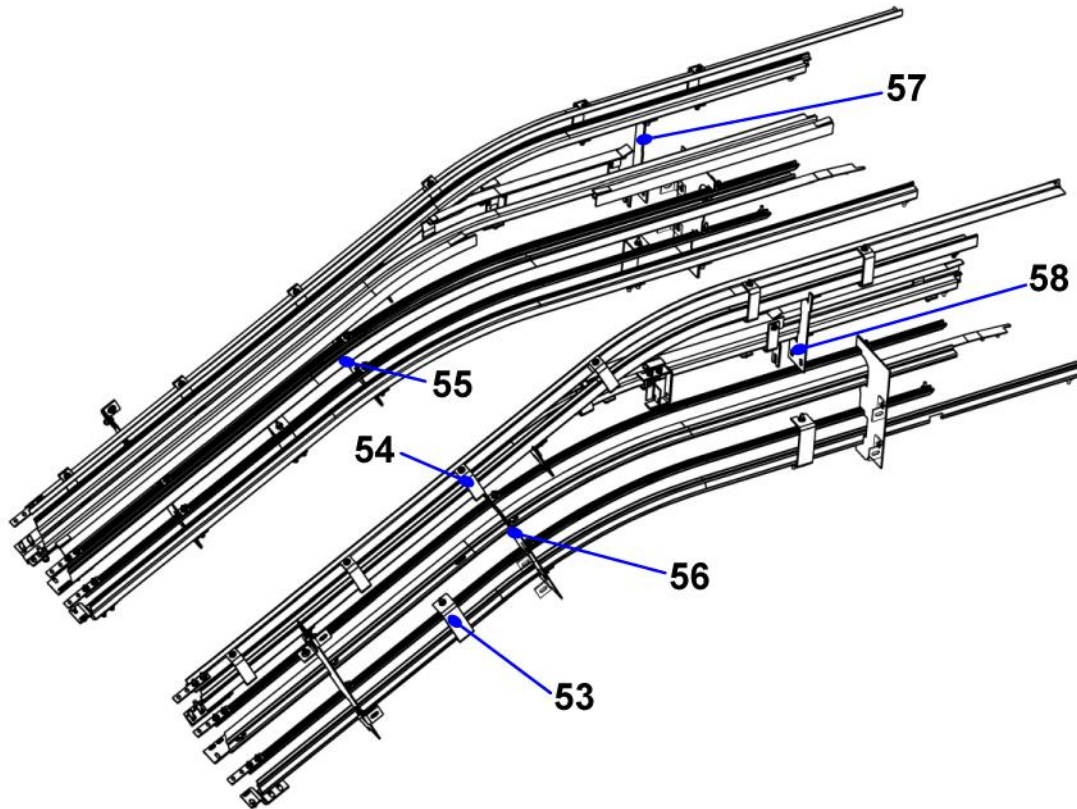


UPPER LANDING OUTDOOR

DAA26131AM		
REF. No.	PART No.	DESCRIPTION
45	DAA318CM1	Bracket, Left Side, for Both 2 and 3 Flat Steps
46	DAA318CM2	Bracket, Right Side, for Both 2 and 3 Flat Steps
47	DAA318CE5	Bracket, Left Side, Only for 2 Flat Steps
48	DAA318CE6	Bracket, Right Side, Only for 2 Flat Steps
49	DAA318CA107	Bracket, Left Side, for Both 2 and 3 Flat Steps
50	DAA318CA108	Bracket, Right Side, for Both 2 and 3 Flat Steps
51	DAA318CN101	Bracket, Left Side, Only for 2 Flat Steps
52	DAA318CN102	Bracket, Right Side, Only for 2 Flat Steps

508NCE Escalator Track Upper Landing

52-DAA26131AM

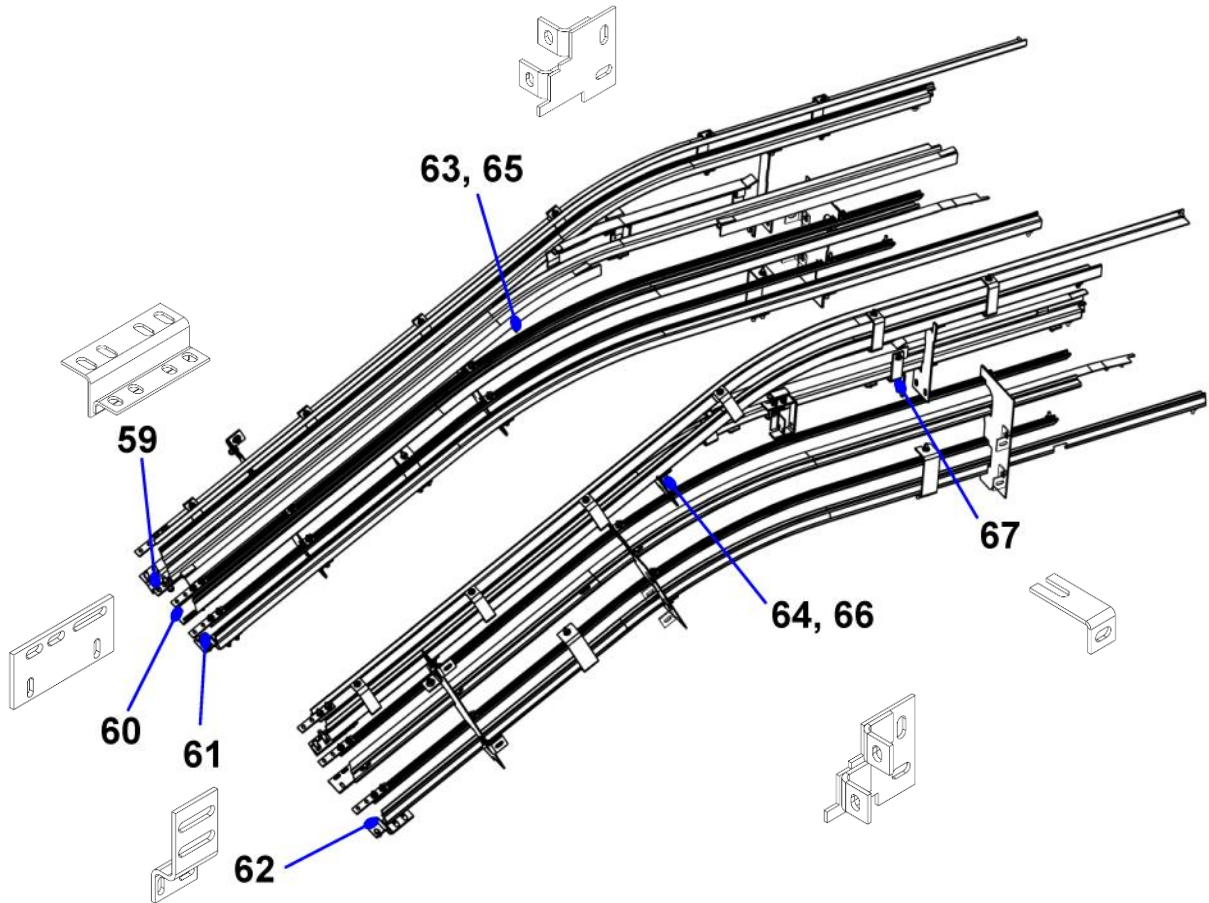


UPPER LANDING OUTDOOR

DAA26131AM		
REF. No.	PART No.	DESCRIPTION
53	GO318CB6	Bracket, for Both 2 and 3 Flat Steps
54	DAA180JF1	Bracket, for Both 2 and 3 Flat Steps
55	DAA318CA109	Bracket, Left Side, Only for 3 Flat Steps
56	DAA318CA110	Bracket, Right Side, Only for 3 Flat Steps
57	DAA318CN103	Bracket, Left Side, Only for 3 Flat Steps
58	DAA318CN104	Bracket, Right Side, Only for 3 Flat Steps

508NCE Escalator Track Upper Landing

52-DAA26131AM

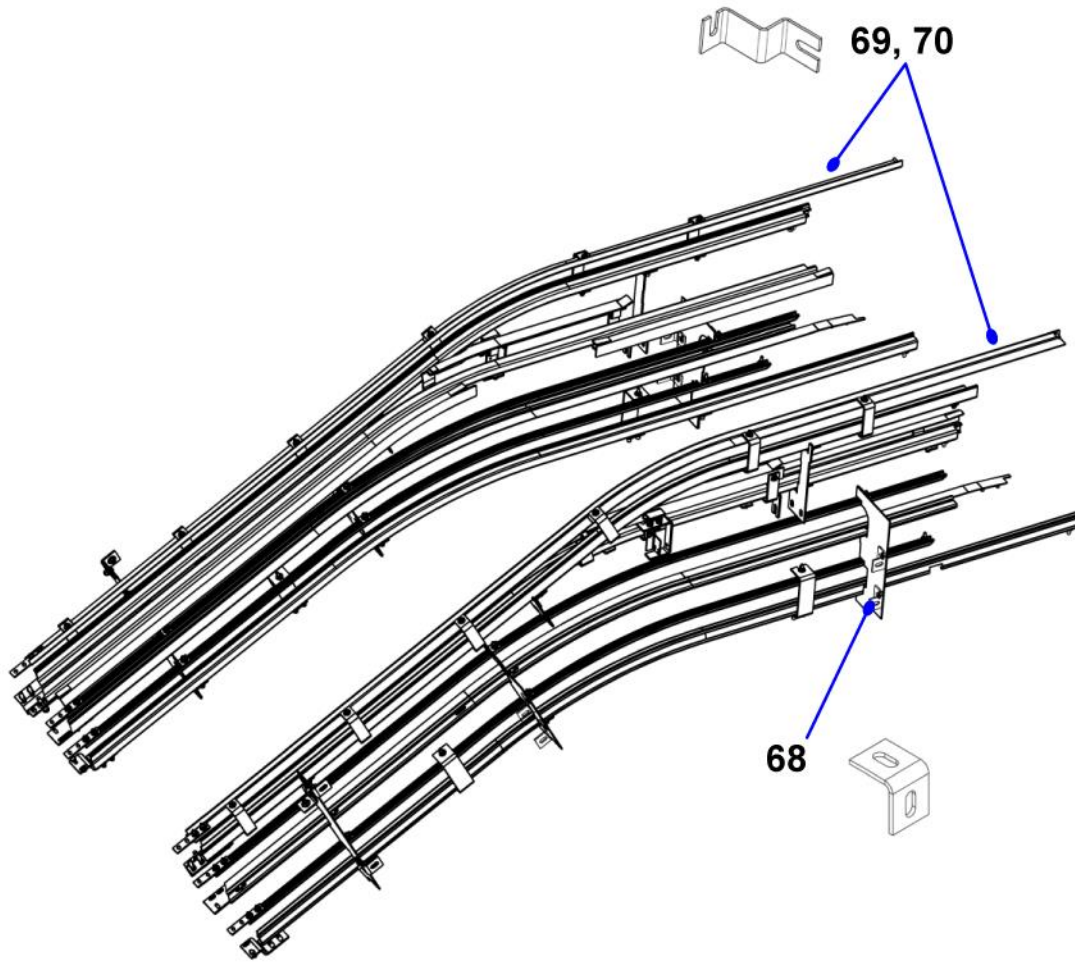


DAA26131AM

REF. No.	PART No.	DESCRIPTION
59	GBA283AYY1	Angle, for Both 2 and 3 Flat Steps
60	GAA299ATJ1	Bar, for Both 2 and 3 Flat Steps
61	GAA180AZS1	Holder, for Both 2 and 3 Flat Steps
62	GAA180AZS2	Holder, for Both 2 and 3 Flat Steps
63	DAA283XP3	Bracket, Left Side, Only for 2 Flat Steps
64	DAA283XP4	Bracket, Right Side, Only for 2 Flat Steps
65	DAA318CD101	Bracket, Left Side, Only for 3 Flat Steps
66	DAA318CD102	Bracket, Right Side, Only for 3 Flat Steps
67	DAA283VX1	Bracket, for Both 2 and 3 Flat Steps

508NCE Escalator Track Upper Landing

52-DAA26131AJ



UPPER LANDING INDOOR

DAA26131AJ			
REF. No.	PART No.	DESCRIPTION	
68	GAA283AZL1	Bracket	
69	DAA283XQ1	Bracket, Left Side	for connecting with floor plate
70	DAA283XQ2	Bracket, Right Side	