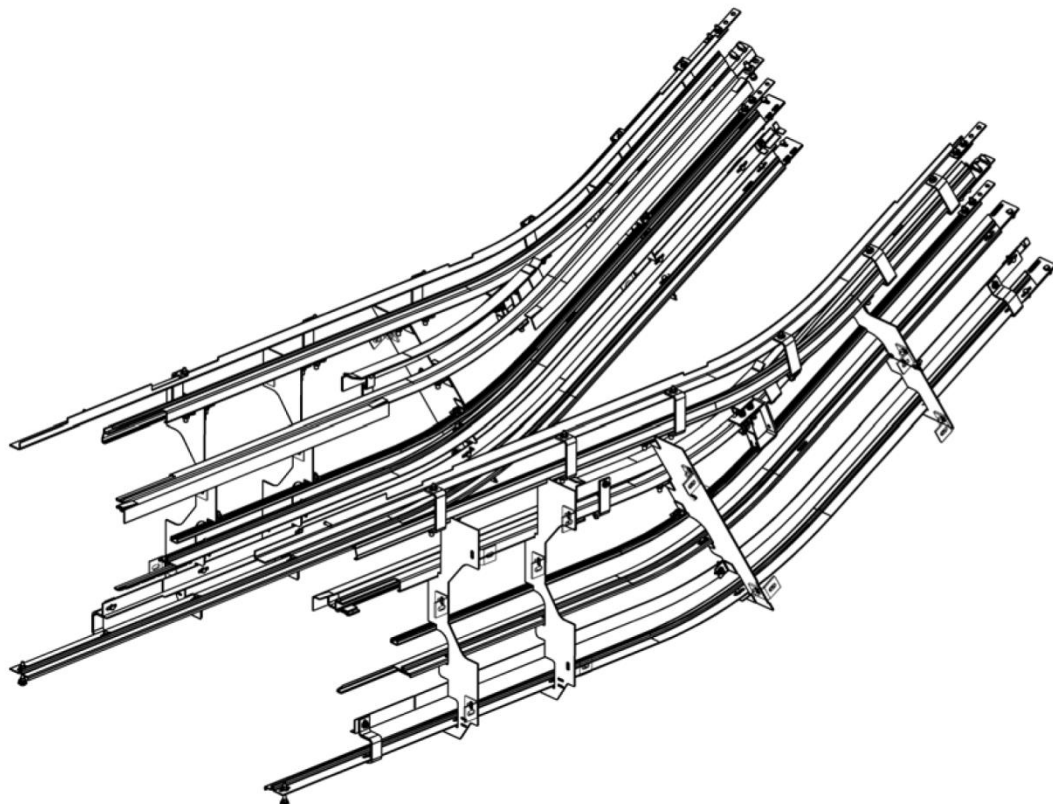


512NCE Escalator Track, Lower Landing

Spare Parts Leaflet

52-DAA26131AP

October 30, 2009 / Page 1 of 9



OTIS

Safety First!

ESCALATOR ENGINEERING
Otis Elevator Company
SIT Guangzhou

Leaflet Description

512NCE ANSI Escalator track lower landing, indoor.

Leaflet Revisions

Date Revised	Subject Matter Expert	Reason for Revision
October 30, 2009	Liu, Zhaohui	Original Document

Related Drawings

Drawing No.	Title	Drawing No.	Title
DAA26131AP	Track Lower Landing		

Related Documents

Document ID	Title
BOM DAA26131AP	Track Lower Landing

Subject Matter Expert

Name	Department
Liu, Zhaohui	SIT Guangzhou

About Spare Parts Leaflets...

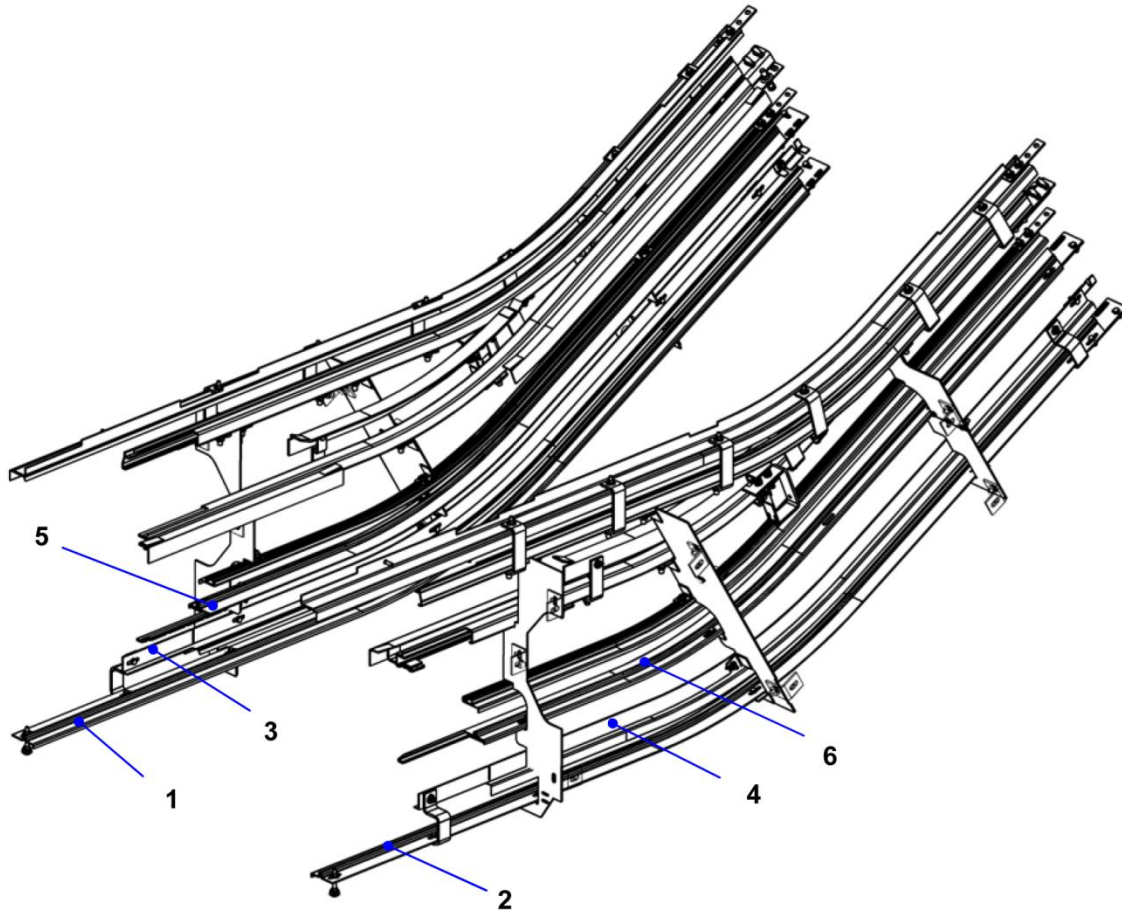
This document lists the lowest replaceable units (LRUs) for the standard version of the product. The LRUs are chosen by a team of Otis associates representing engineering and manufacturing.

While goal of this document is to make parts identification as easy as possible, the document cannot be all-inclusive. Elevator and escalator contracts classified as "special" or "custom" are not addressed here. For such contracts, please refer to specified information, the contract folder, TIPs, Field Education Articles, Construction Letters, etc. for further information.

If you have any suggestions about this document, please contact the subject matter expert listed on this page.

512NCE Escalator Track, Lower Landing, Indoor

52-DAA26131AP

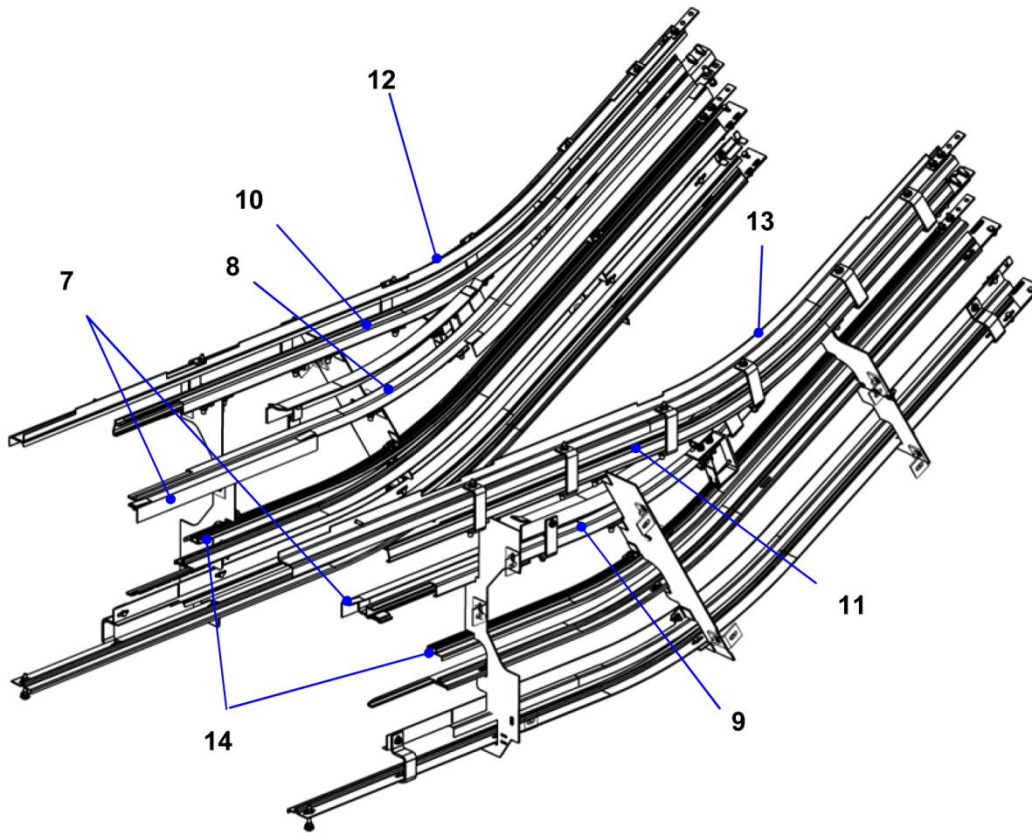


LOWER LANDING INDOOR

DAA26131AP			
REF. No.	PART No.	DESCRIPTION	
1	DAA483EM15	Track for step chain roller, on return side, left side	2 FLAT STEP
2	DAA483EM16	Track for step chain roller, on return side, right side	
3	DAA483EN15	Track, left side	
4	DAA483EN16	Track, right side	
5	DAA483EL15	Track for step roller , on return side, left side	
6	DAA483EL16	Track for step roller , on return side, right side	

52-DAA26131AP

512NCE Escalator Track, Lower Landing, Indoor

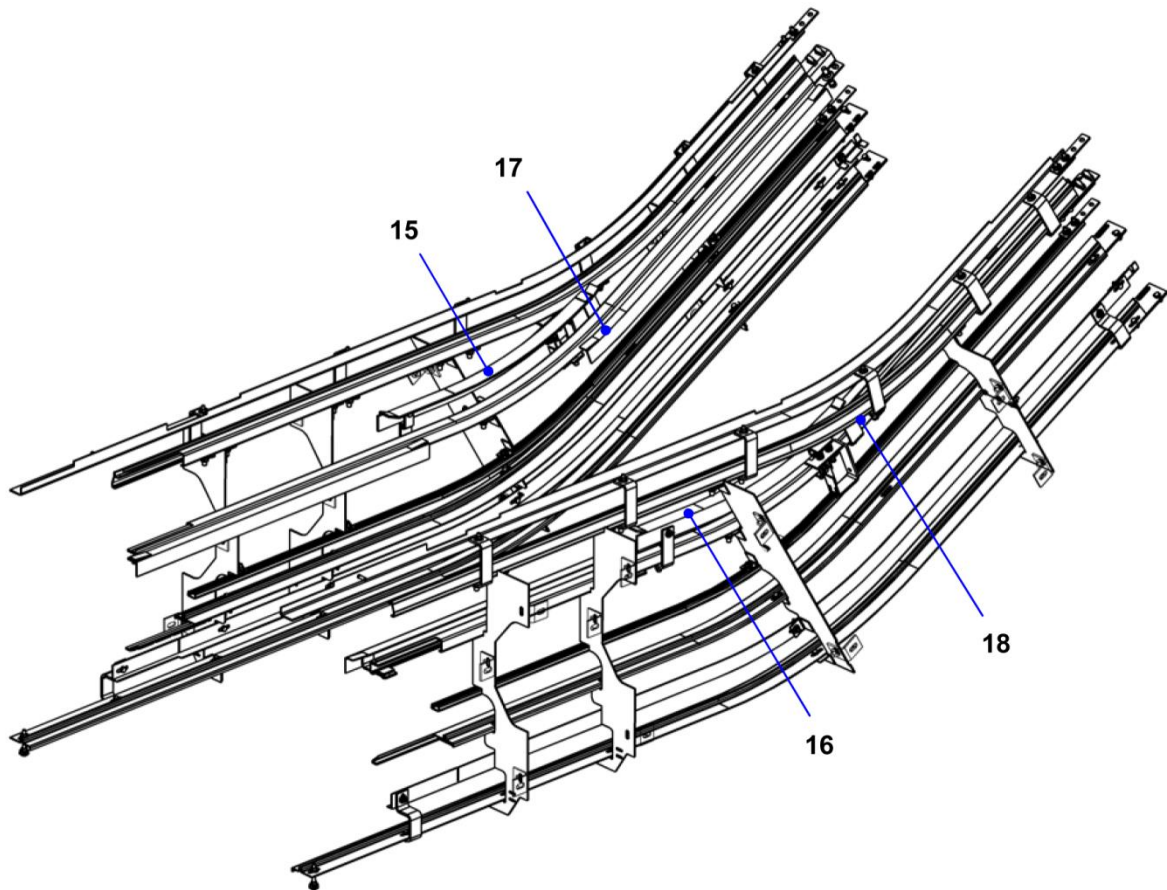


LOWER LANDING INDOOR

DAA26131AP			
REF. No.	PART No.	DESCRIPTION	
7	DAA483BAF7	Upthrust track, left & right side	2 FLAT STEP
8	DAA483DW15	Track for step roller, on passenger side, left side	
9	DAA483DW16	Track for step roller, on passenger side, right side	
10	DAA483DV15	Track for step chain roller, on passenger side, left side	
11	DAA483DV16	Track for step chain roller, on passenger side, right side	
12	DAA483FB1	Track, left side	
13	DAA483FB2	Track, right side	
14	DAA483EW3	Track, left & right side	

512NCE Escalator Track, Lower Landing, Indoor

52-DAA26131AP

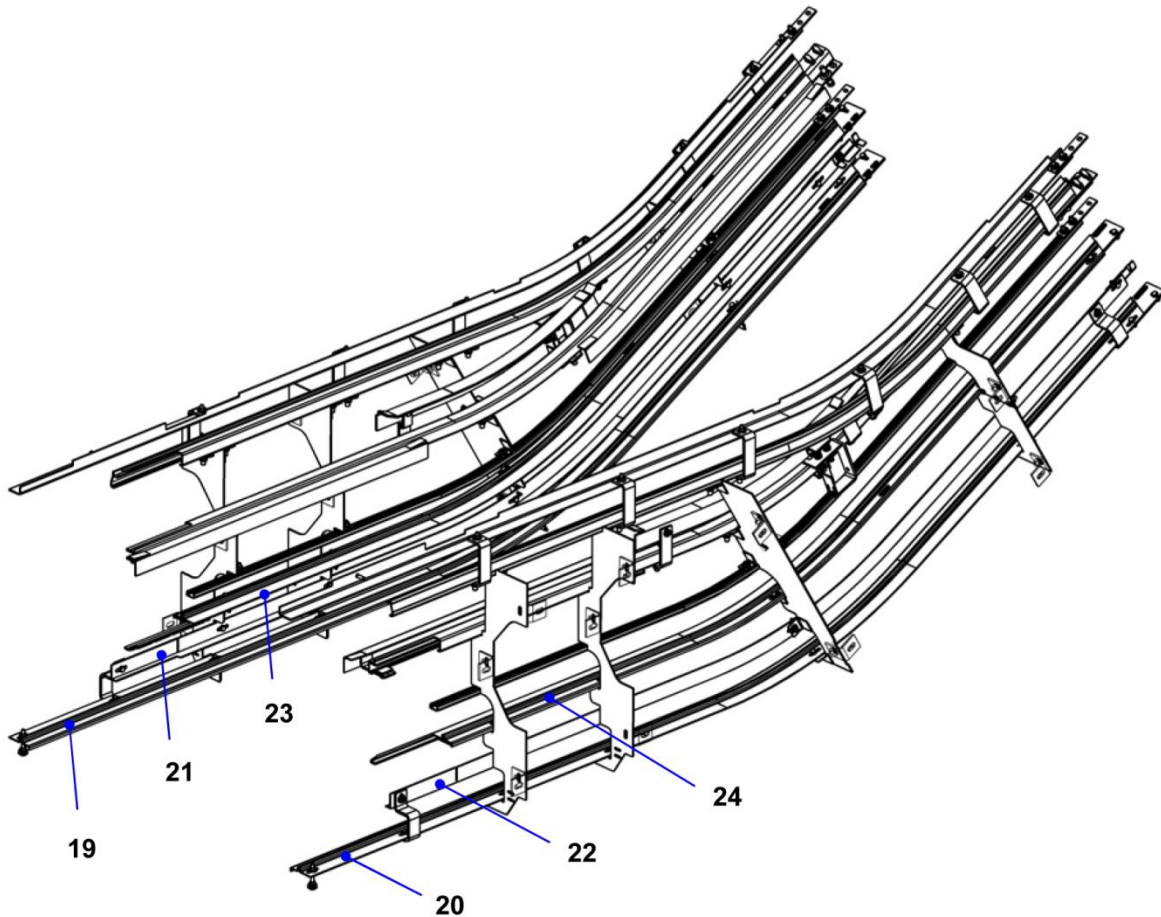


LOWER LANDING INDOOR

DAA26131AP			
REF. No.	PART No.	DESCRIPTION	
15	DAA483EP3	Upthrust track, left side	2 & 3 FLAT STEP
16	DAA483EP4	Upthrust track, right side	
17	DAA483ER3	Upthrust track, left side	
18	DAA483ER4	Upthrust track, right side	

52-DAA26131AP

512NCE Escalator Track, Lower Landing, Indoor

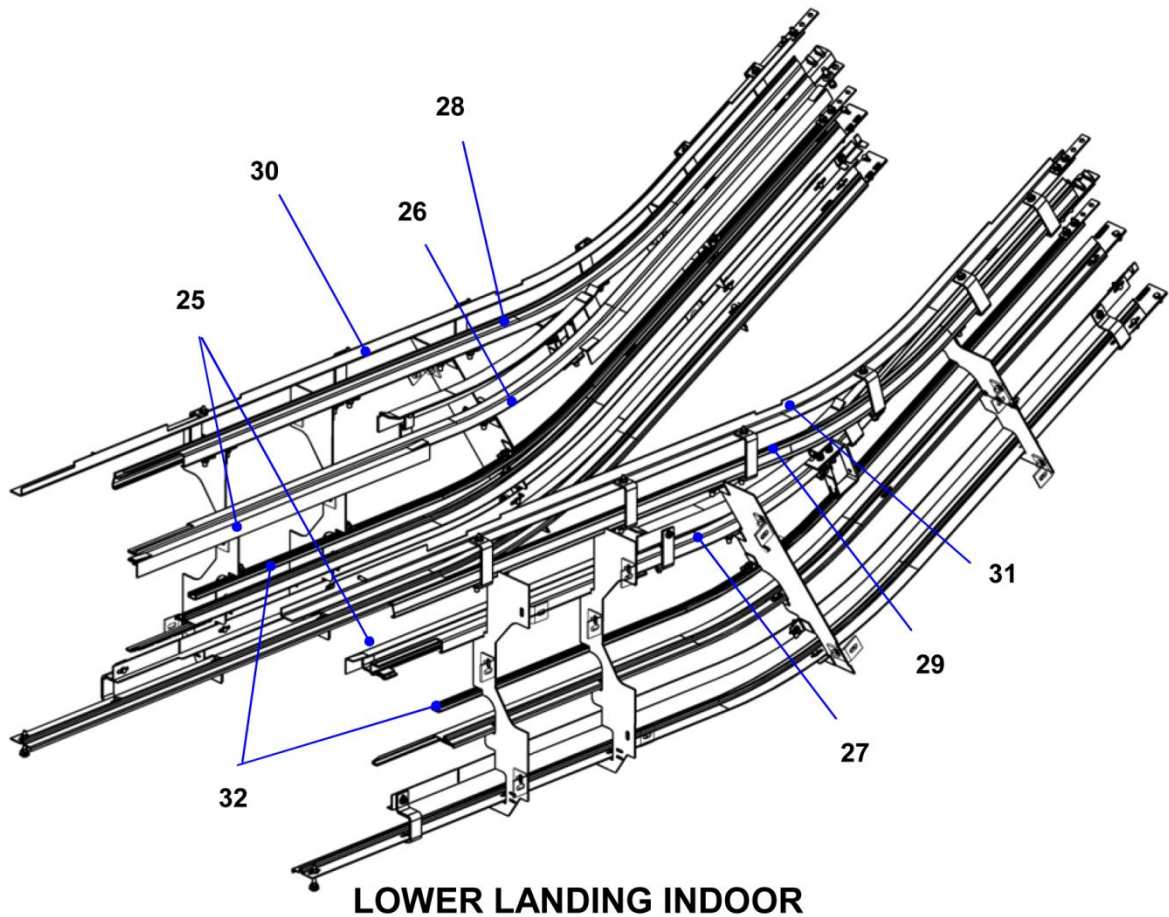


LOWER LANDING INDOOR

DAA26131AP			
REF. No.	PART No.	DESCRIPTION	
19	DAA483EM17	Track for step chain roller, on return side, left side	3 FLAT STEP
20	DAA483EM18	Track for step chain roller, on return side, right side	
21	DAA483EN17	Track, left side	
22	DAA483EN18	Track, right side	
23	DAA483EL17	Track for step roller , on return side, left side	
24	DAA483EL18	Track for step roller , on return side, right side	

512NCE Escalator Track, Lower Landing, Indoor

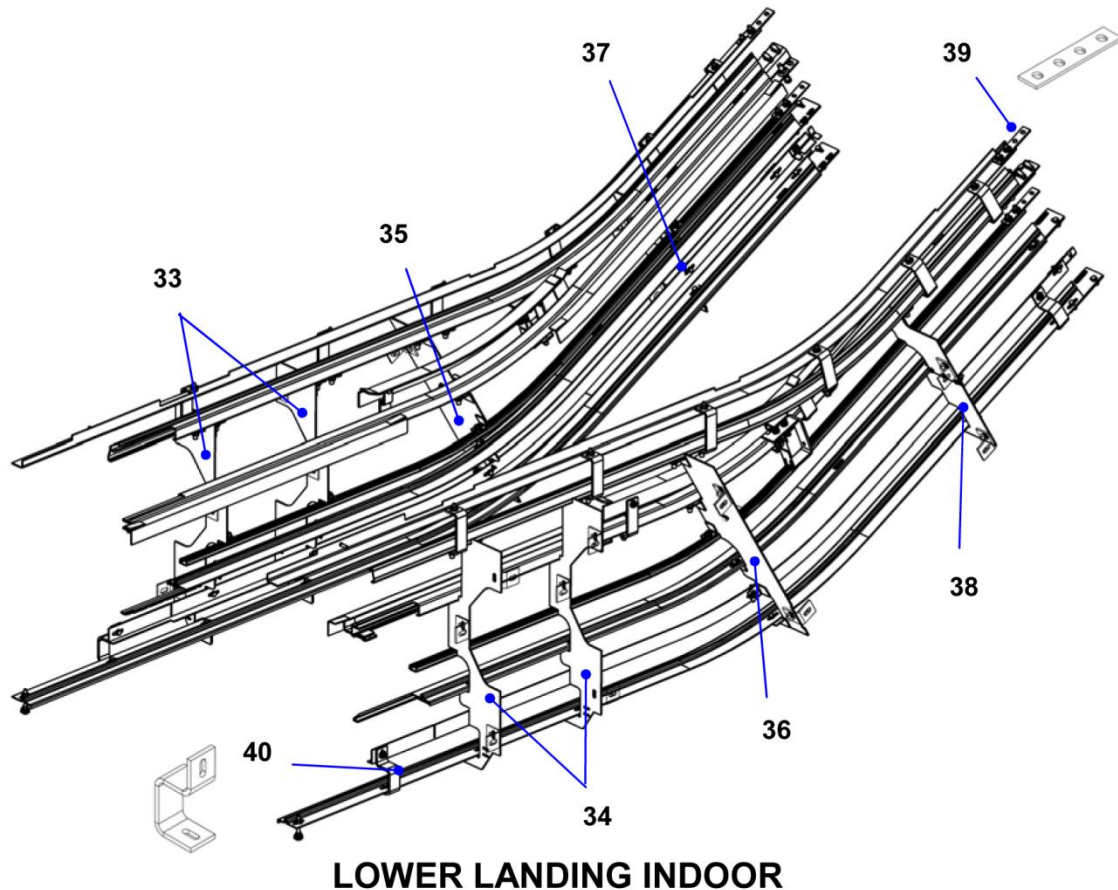
52-DAA26131AP



DAA26131AP			
REF. No.	PART No.	DESCRIPTION	
25	DAA483BAF10	Upthrust track, left & right side	3 flat steps
26	DAA483DW17	Track for step roller, on passenger side, left side	
27	DAA483DW18	Track for step roller, on passenger side, right side	
28	DAA483DV17	Track for step chain roller, on passenger side, left side	
29	DAA483DV18	Track for step chain roller, on passenger side, right side	
30	DAA483FB3	Track, left side	
31	DAA483FB4	Track, right side	
32	DAA483EW4	Track, left & right side	

52-DAA26131AP

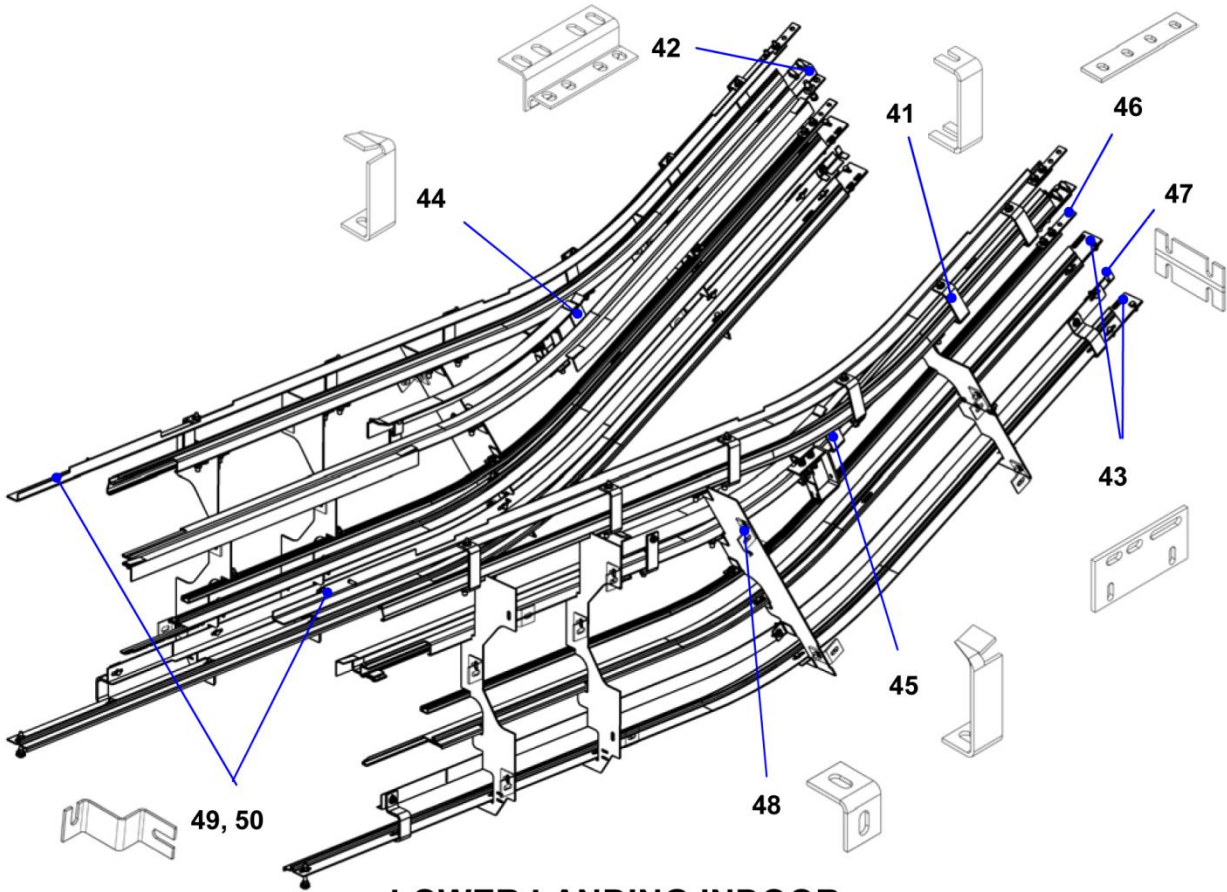
512NCE Escalator Track, Lower Landing, Indoor



DAA26131AP		
REF. No.	PART No.	DESCRIPTION
33	DAA318CB1	Bracket, left side
34	DAA318CB2	Bracket, right side
35	DAA318CR1	Bracket, left side
36	DAA318CR2	Bracket, right side
37	DAA318DZ1	Bracket, left side
38	DAA318DZ2	Bracket, right side
39	DAA298AC1	Plate
40	GAA180AZT1	Holder

512NCE Escalator Track, Lower Landing, Indoor

52-DAA26131AP



LOWER LANDING INDOOR

DAA26131AP			
REF. No.	PART No.	DESCRIPTION	
41	DAA180HX1	Holder	
42	GBA283AYY1	Angle	
43	GAA299ATJ1	Bar	
44	GO180AAA1	Holder, left side	
45	GO180AAA2	Holder, right side	
46	GO298WT2	Bar	
47	GAA283BCE1	Angle	
48	GAA283AZL1	Bracket	
49	DAA283XQ1	Bracket, left side	For connecting with floor plate
50	DAA283XQ2	Bracket, right side	