

Leaflet Description

512NCE ANSI ESCALATOR TRACK LOWER LANDING, OUTDOOR

Leaflet Revisions

Date Revised	Subject Matter Expert	Reason for Revision
October 30, 2009	Liu, Zhaohui	Original document

Related Drawings

Drawing No.	Title	Drawing No.	Title
DAA26131AQ	Track lower landing		

Related Documents

Document ID	Title
BOM DAA26131AQ	Track lower landing

Subject Matter Expert

Name	Department
Liu, Zhaohui	SIT GUANGZHOU

About Spare Parts Leaflets...

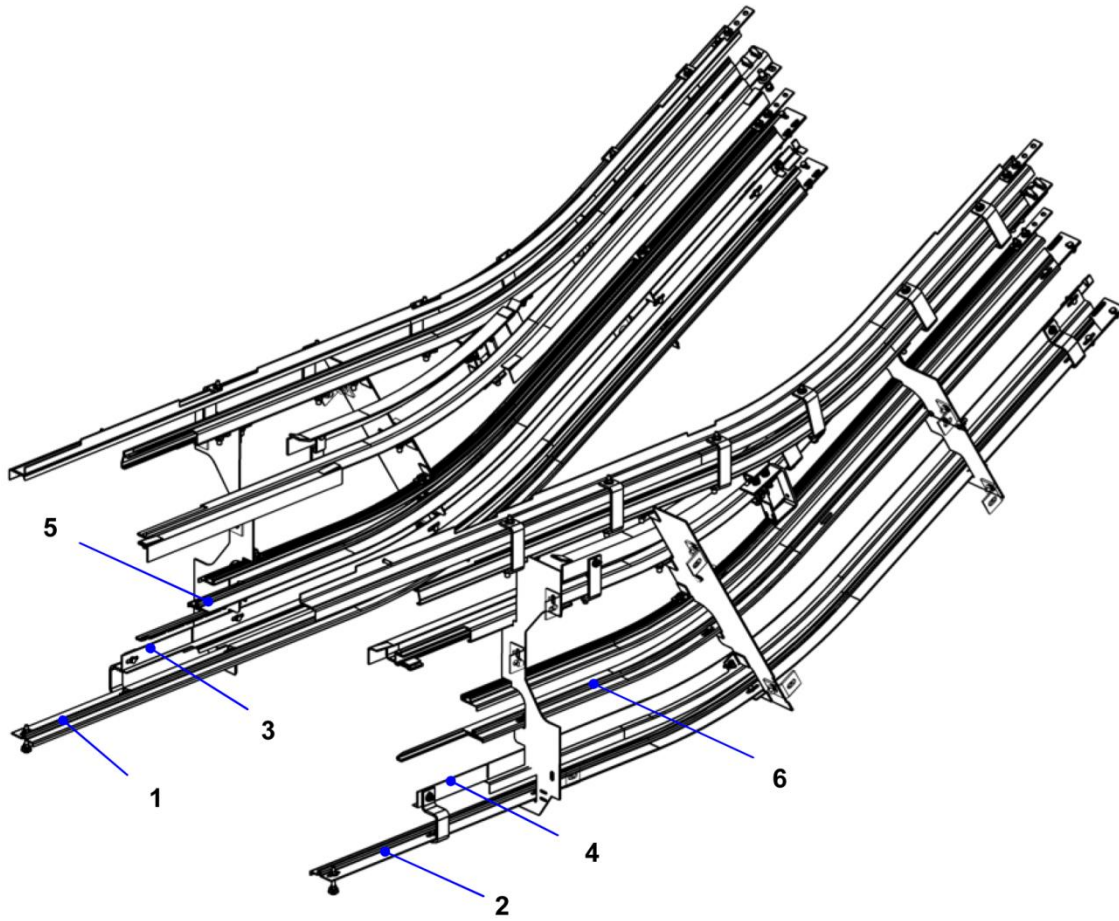
This document lists the lowest replaceable units (LRUs) for the standard version of the product. The LRUs are chosen by a team of Otis associates representing engineering and manufacturing.

While goal of this document is to make parts identification as easy as possible, the document cannot be all-inclusive. Elevator and escalator contracts classified as "special" or "custom" are not addressed here. For such contracts, please refer to specified information, the contract folder, TIPs, Field Education Articles, Construction Letters, etc. for further information.

If you have any suggestions about this document, please contact the subject matter expert listed on this page.

512NCE Escalator Track Lower Landing

52-DAA26131AQ

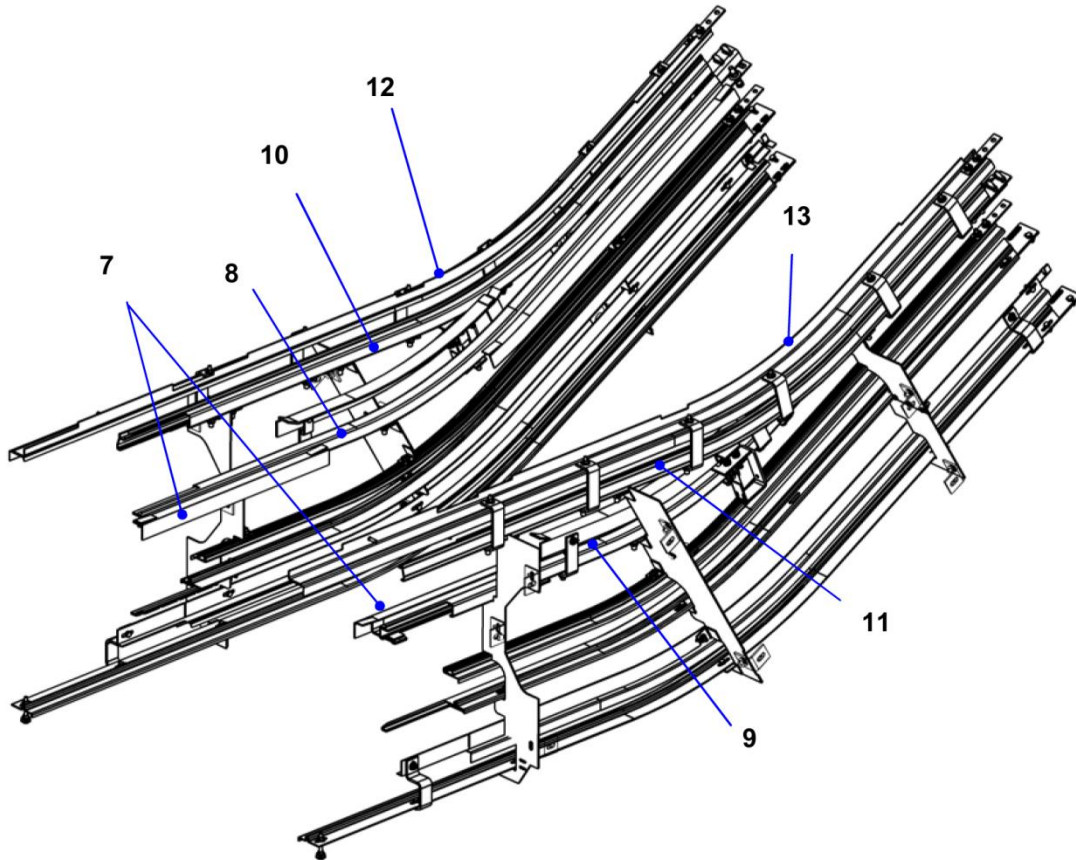


LOWER LANDING OUTDOOR

DAA26131AQ			
REF. No.	PART No.	DESCRIPTION	
1	DAA483EM115	Track for step chain roller, on return side, left side	2 FLAT STEP
2	DAA483EM116	Track for step chain roller, on return side, right side	
3	DAA483FA1	Track with cover, left side	
4	DAA483FA2	Track with cover, right side	
5	DAA483EL115	Track for step roller , on return side, left side	
6	DAA483EL116	Track for step roller , on return side, right side	

52-DAA26131AQ

512NCE Escalator Track Lower Landing

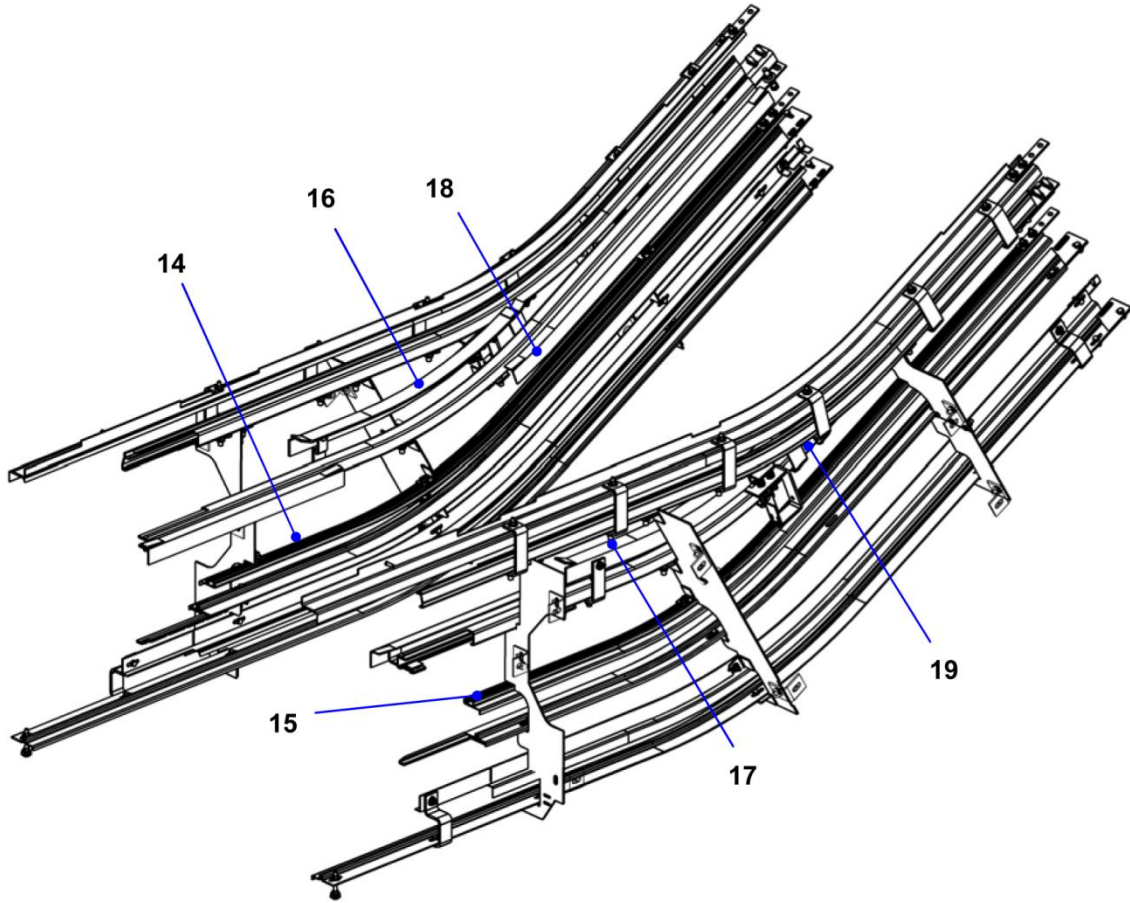


LOWER LANDING OUTDOOR

REF. No.	PART No.	DESCRIPTION	
	DAA26131AQ		
7	DAA483BAF7	Upthrust track, left & right side	2 FLAT STEP
8	DAA483DW115	Track for step roller, on passenger side, left side	
9	DAA483DW116	Track for step roller, on passenger side, right side	
10	DAA483DV115	Track for step chain roller, on passenger side, left side	
11	DAA483DV116	Track for step chain roller, on passenger side, right side	
12	DAA483FB5	Track, left side	
13	DAA483FB6	Track, right side	

512NCE Escalator Track Lower Landing

52-DAA26131AQ

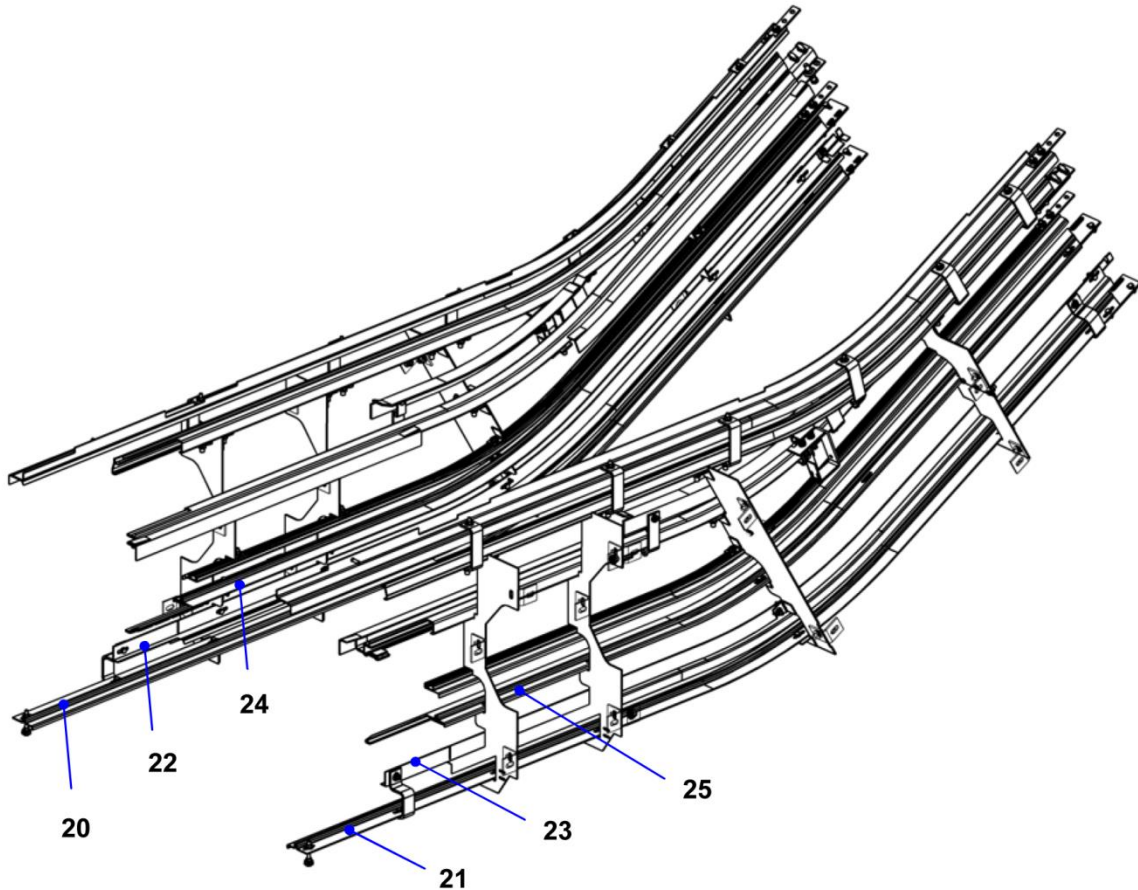


LOWER LANDING OUTDOOR

DAA26131AQ			
REF. No.	PART No.	DESCRIPTION	
14	DAA483GA1	Track, left side	2 FLAT STEP
15	DAA483GA2	Track, right side	
16	DAA483EP103	Upthrust track, left side	2 & 3 FLAT STEP
17	DAA483EP104	Upthrust track, right side	
18	DAA483ER103	Upthrust track, left side	
19	DAA483ER104	Upthrust track, right side	

52-DAA26131AQ

512NCE Escalator Track Lower Landing

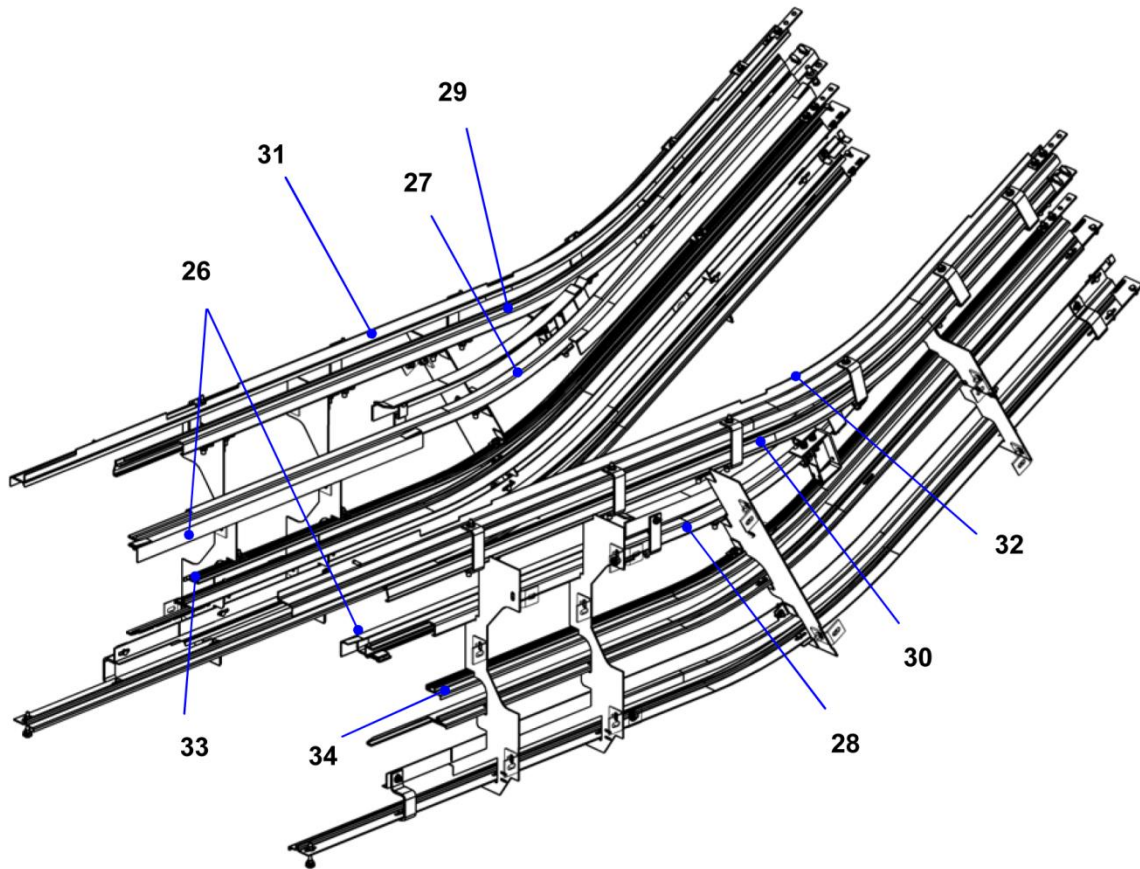


LOWER LANDING OUTDOOR

DAA26131AQ			
REF. No.	PART No.	DESCRIPTION	
20	DAA483EM117	Track for step chain roller, on return side, left side	3 FLAT STEP
21	DAA483EM118	Track for step chain roller, on return side, right side	
22	DAA483FA3	Track, left side	
23	DAA483FA4	Track, right side	
24	DAA483EL117	Track for step roller , on return side, left side	
25	DAA483EL118	Track for step roller , on return side, right side	

512NCE Escalator Track Lower Landing

52-DAA26131AQ



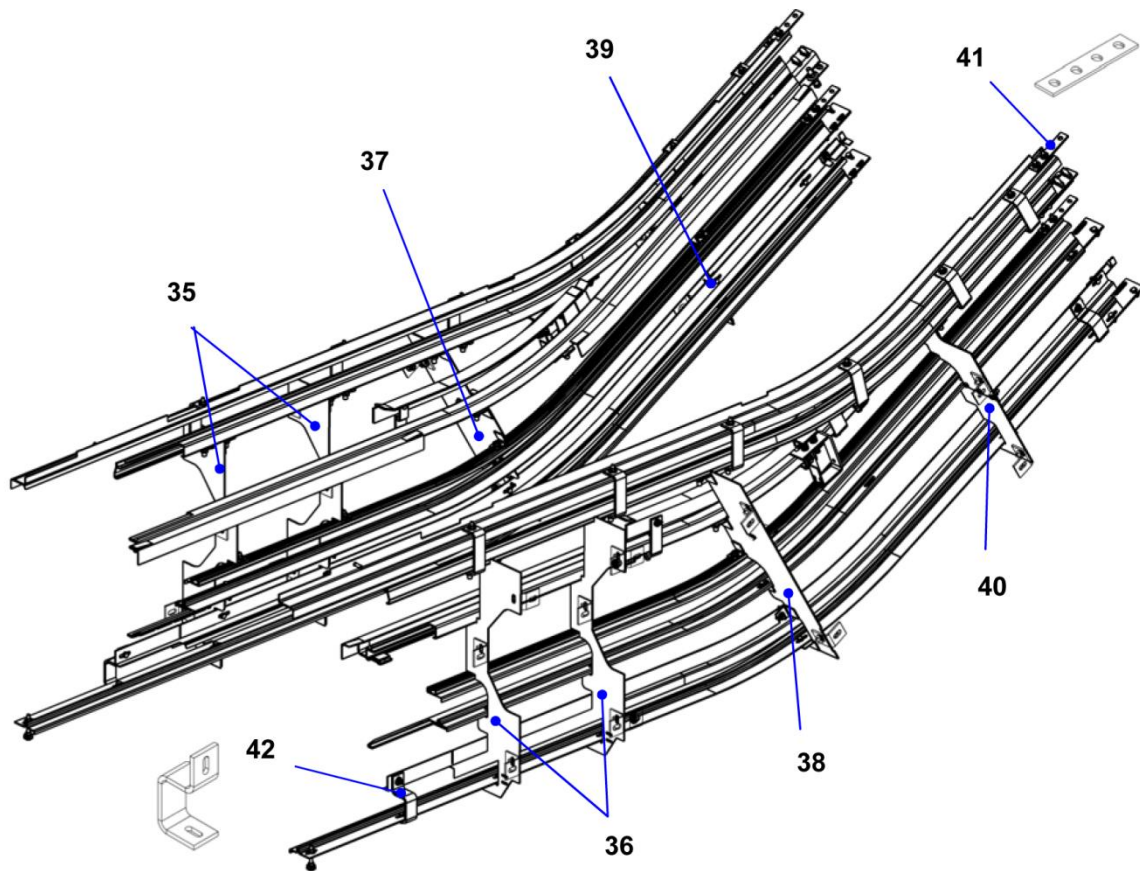
LOWER LANDING OUTDOOR

DAA26131AQ		
REF. No.	PART No.	DESCRIPTION
26	DAA483BAF10	Upthrust track, left & right side
27	DAA483DW117	Track for step roller, on passenger side, left side
28	DAA483DW118	Track for step roller, on passenger side, right side
29	DAA483DV117	Track for step chain roller , on passenger side, left side
30	DAA483DV118	Track for step chain roller, on passenger side, right side
31	DAA483FB7	Track, left side
32	DAA483FB8	Track, right side
33	DAA483GA3	Track, left side
34	DAA483GA4	Track, right side

3 flat steps

52-DAA26131AQ

512NCE Escalator Track Lower Landing

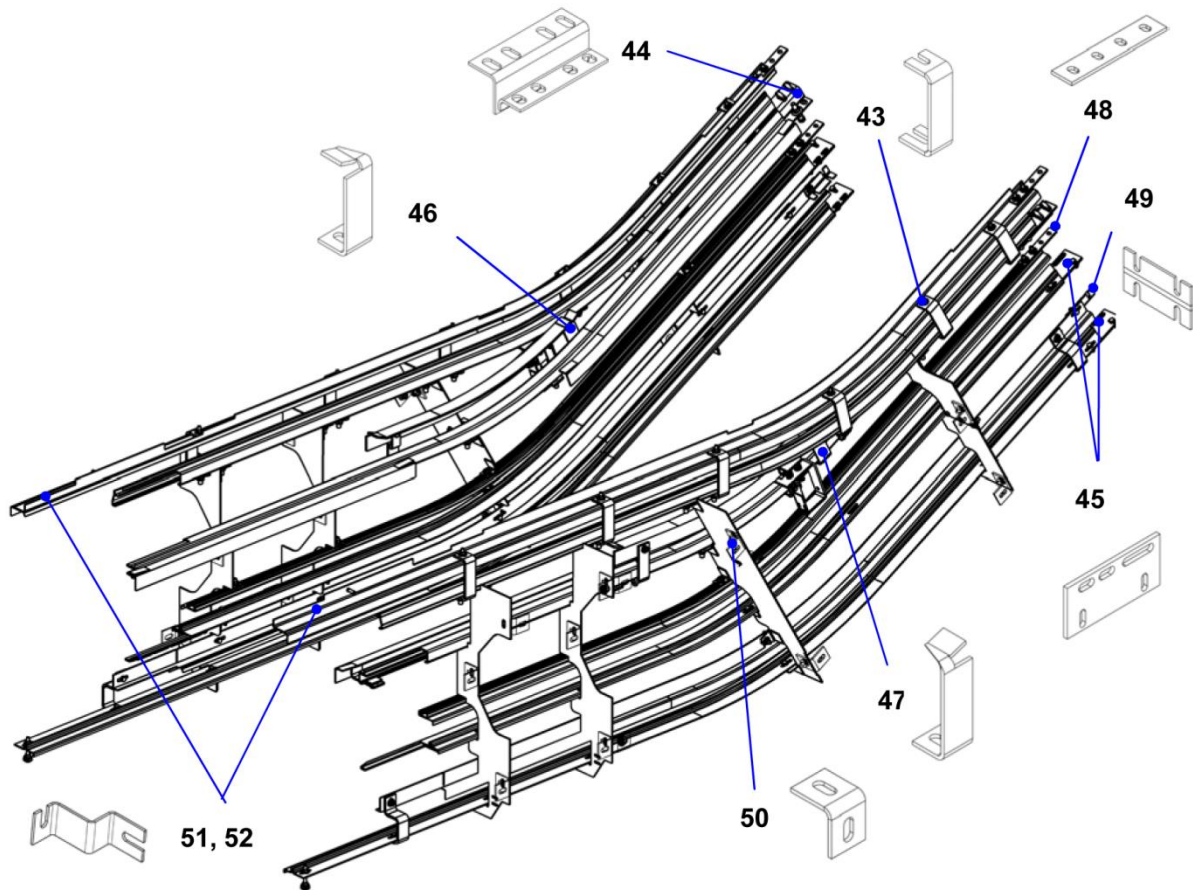


LOWER LANDING OUTDOOR

REF. No.	PART No.	DESCRIPTION
	DAA26131AQ	
35	DAA318CB101	Bracket, left side
36	DAA318CB102	Bracket, right side
37	DAA318CR101	Bracket, left side
38	DAA318CR102	Bracket, right side
39	DAA318DZ101	Bracket, left side
40	DAA318DZ102	Bracket, right side
41	DAA298AC1	Plate
42	GAA180AZT1	Holder

512NCE Escalator Track Lower Landing

52-DAA26131AQ



LOWER LANDING OUTDOOR

DAA26131AQ		
REF. No.	PART No.	DESCRIPTION
43	DAA180HX1	Holder
44	GBA283AYY1	Angle
45	GAA299ATJ1	Bar
46	GO180AAA1	Holder, left side
47	GO180AAA2	Holder, right side
48	GO298WT2	Bar
49	GAA283BCE1	Angle
50	GAA283AZL1	Bracket
51	DAA283XQ1	Bracket, left side
52	DAA283XQ2	Bracket, right side
		For connecting with floor plate