

Leaflet Description

512NCE ANSI ESCALATOR TRACK UPPER LANDING, INDOOR/OUTDOOR

Leaflet Revisions

Date Revised	Subject Matter Expert	Reason for Revision
October 30, 2009	Liu, Zhaohui	Original document

Related Drawings

Drawing No.	Title	Drawing No.	Title
DAA26131Q	Track, Upper Landing	GAA483CPS	Upthrust Track

Related Documents

Document ID	Title
BOM DAA26131Q	Track, Upper Landing
ODS DAA27076AQ	Track, Upper Landing

Subject Matter Expert

Name	Department
Liu, Zhaohui	SIT Guangzhou

About Spare Parts Leaflets...

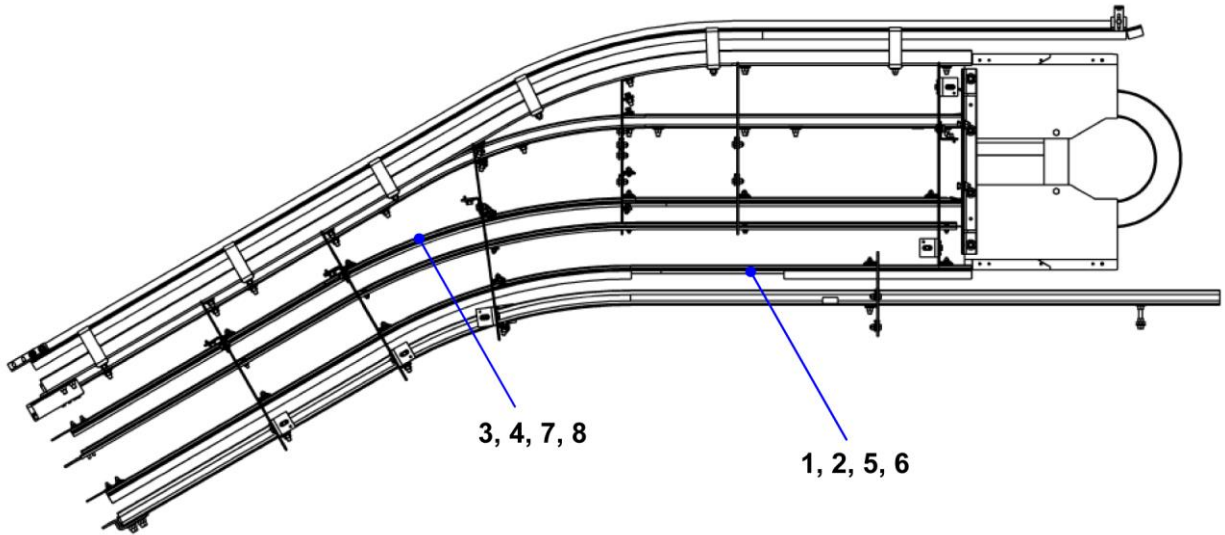
This document lists the lowest replaceable units (LRUs) for the standard version of the product. The LRUs are chosen by a team of Otis associates representing engineering and manufacturing.

While goal of this document is to make parts identification as easy as possible, the document cannot be all-inclusive. Elevator and escalator contracts classified as "special" or "custom" are not addressed here. For such contracts, please refer to specified information, the contract folder, TIPs, Field Education Articles, Construction Letters, etc. for further information.

If you have any suggestions about this document, please contact the subject matter expert listed on this page.

512NCE Escalator Track, Upper Landing

52-DAA26131Q

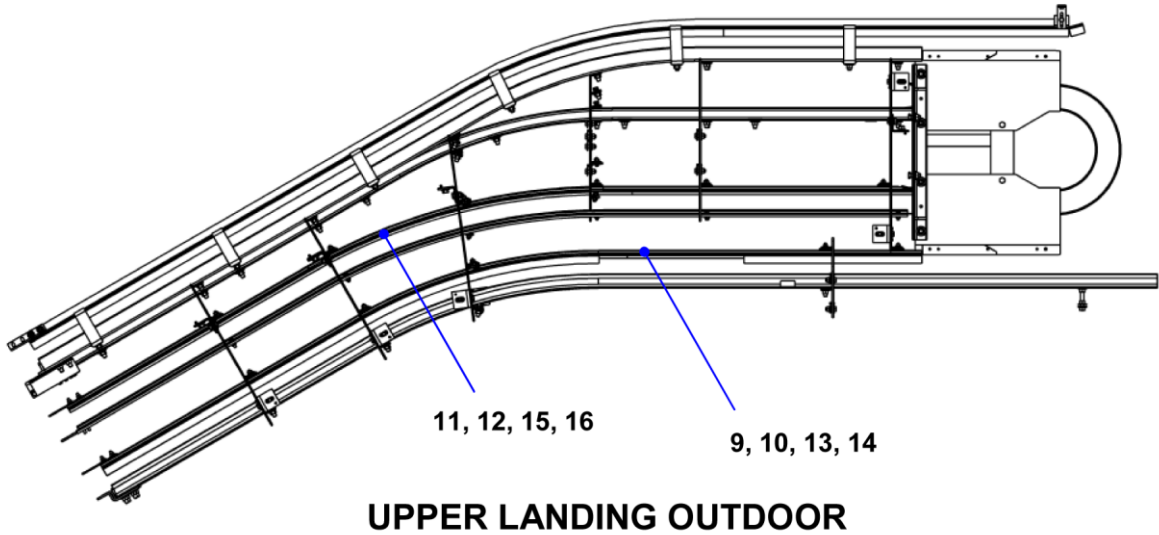


UPPER LANDING INDOOR

DAA26131Q			
REF. No.	PART No.	DESCRIPTION	
1	DAA483BB131	Upthrust track, left side	2 FLAT STEP
2	DAA483BB132	Upthrust track, right side	
3	DAA483BB31	Upthrust track, left side	
4	DAA483BB32	Upthrust track, right side	
5	DAA483BB133	Upthrust track, left side	3 FLAT STEP
6	DAA483BB134	Upthrust track, right side	
7	DAA483BB33	Upthrust track, left side	
8	DAA483BB34	Upthrust track, right side	

52-DAA26131Q

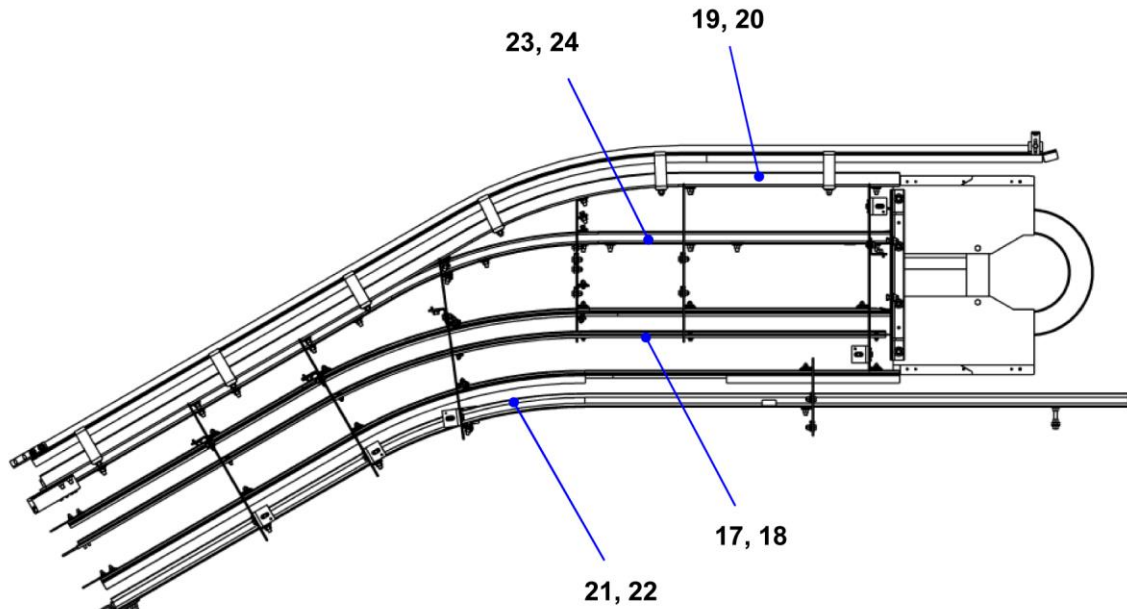
512NCE Escalator Track, Upper Landing



DAA26131Q			
REF. No.	PART No.	DESCRIPTION	
9	DAA483BB135	Upthrust track, left side	2 FLAT STEP
10	DAA483BB136	Upthrust track, right side	
11	DAA483BB35	Upthrust track, left side	
12	DAA483BB36	Upthrust track, right side	
13	DAA483BB137	Upthrust track, left side	3 FLAT STEP
14	DAA483BB138	Upthrust track, right side	
15	DAA483BB37	Upthrust track, left side	
16	DAA483BB38	Upthrust track, right side	

512NCE Escalator Track, Upper Landing

52-DAA26131Q

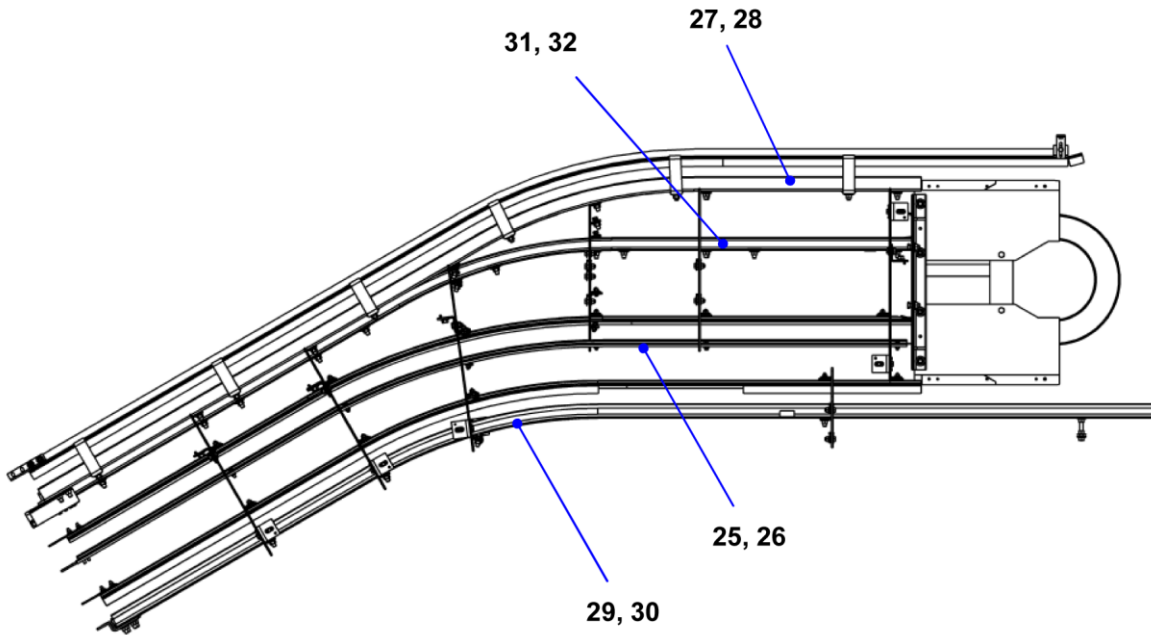


UPPER LANDING INDOOR

DAA26131Q			
REF. No.	PART No.	DESCRIPTION	
17	DAA483AV31	Step roller track on return side, left side	2 FLAT STEP
18	DAA483AV32	Step roller track on return side, right side	
19	DAA483CF31	Chain roller track on passenger side, left side	
20	DAA483CF32	Chain roller track on passenger side, right side	
21	DAA483CG31	Chain roller track on return side, left side	
22	DAA483CG32	Chain roller track on return side, right side	
23	DAA483CH31	Step roller track on passenger side, left side	
24	DAA483CH32	Step roller track on passenger side, right side	

52-DAA26131Q

512NCE Escalator Track, Upper Landing

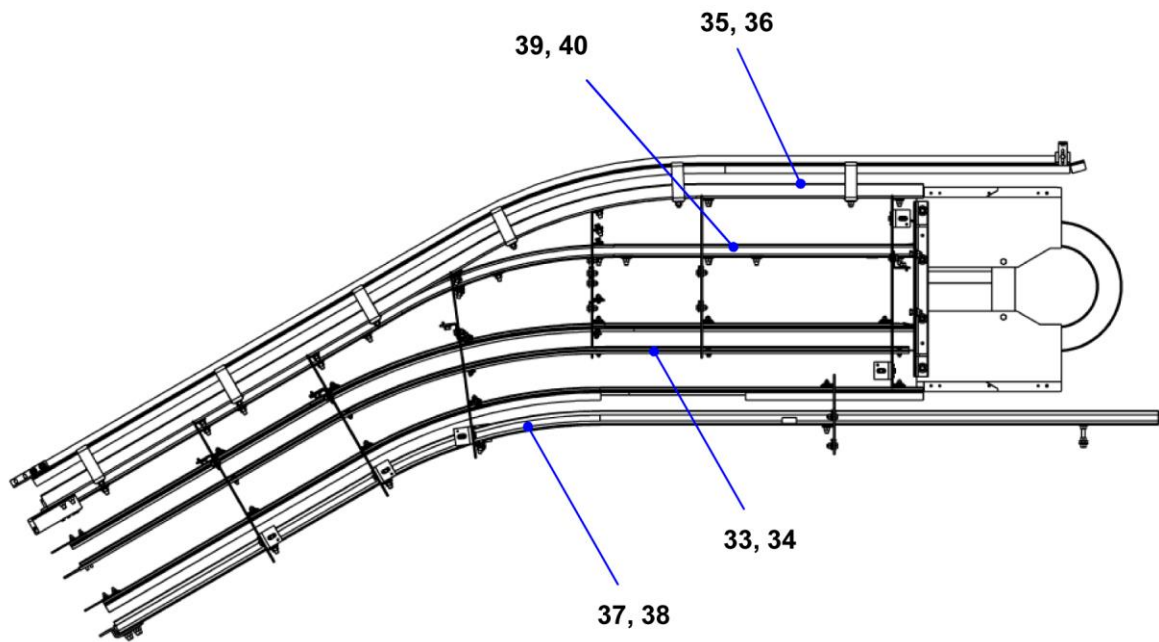


UPPER LANDING INDOOR

DAA26131Q			
REF. No.	PART No.	DESCRIPTION	
25	DAA483AV33	Step roller track on return side, left side	3 FLAT STEP
26	DAA483AV34	Step roller track on return side, right side	
27	DAA483CF33	Chain roller track on passenger side, left side	
28	DAA483CF34	Chain roller track on passenger side, right side	
29	DAA483CG33	Chain roller track on return side, left side	
30	DAA483CG34	Chain roller track on return side, right side	
31	DAA483CH33	Step roller track on passenger side, left side	
32	DAA483CH34	Step roller track on passenger side, right side	

512NCE Escalator Track, Upper Landing

52-DAA26131Q

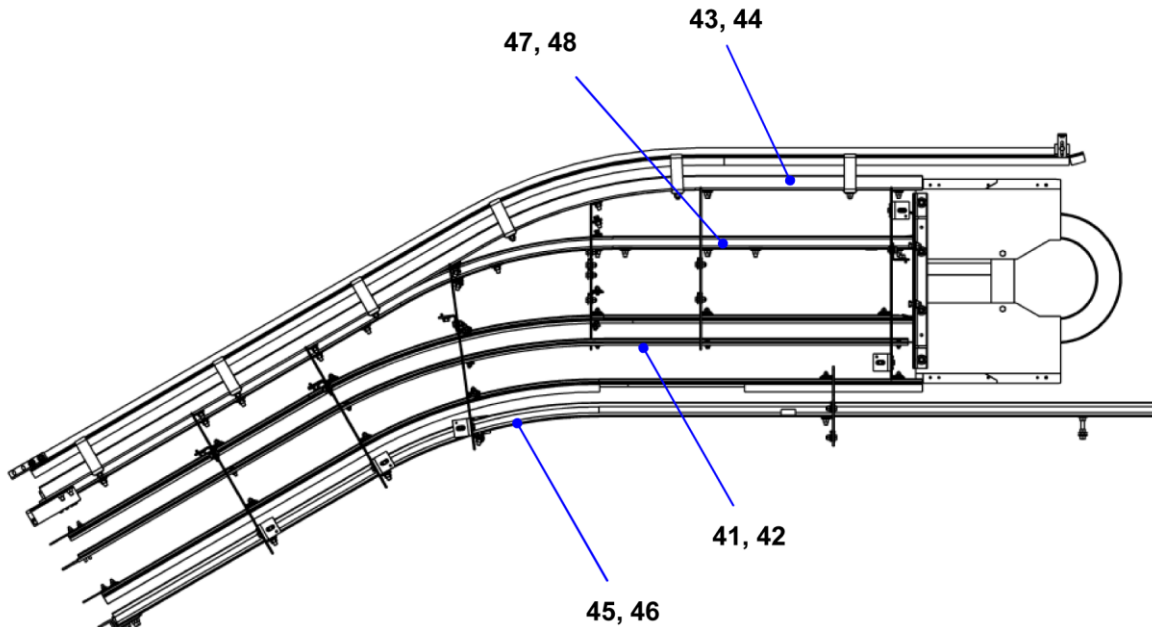


UPPER LANDING OUTDOOR

DAA26131Q			
REF. No.	PART No.	DESCRIPTION	
33	DAA483AV131	Step roller track on return side, left side	2 FLAT STEP
34	DAA483AV132	Step roller track on return side, right side	
35	DAA483CF131	Chain roller track on passenger side, left side	
36	DAA483CF132	Chain roller track on passenger side, right side	
37	DAA483CG131	Chain roller track on return side, left side	
38	DAA483CG132	Chain roller track on return side, right side	
39	DAA483CH131	Step roller track on passenger side, left side	
40	DAA483CH132	Step roller track on passenger side, right side	

52-DAA26131Q

512NCE Escalator Track, Upper Landing

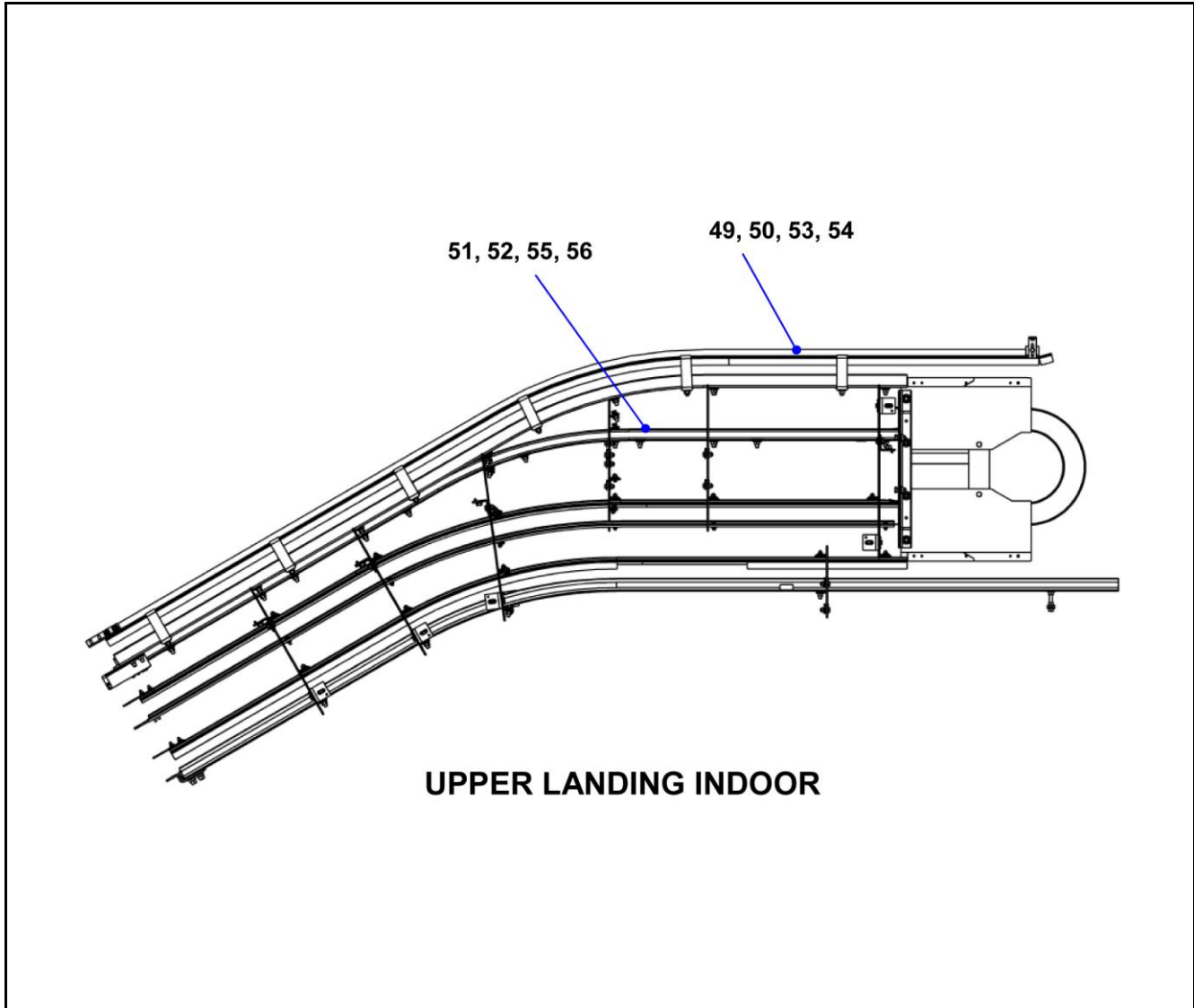


UPPER LANDING OUTDOOR

DAA26131Q			
REF. No.	PART No.	DESCRIPTION	
41	DAA483AV133	Step roller track on return side, left side	3 FLAT STEP
42	DAA483AV134	Step roller track on return side, right side	
43	DAA483CF133	Chain roller track on passenger side, left side	
44	DAA483CF134	Chain roller track on passenger side, right side	
45	DAA483CG133	Chain roller track on return side, left side	
46	DAA483CG134	Chain roller track on return side, right side	
47	DAA483CH133	Step roller track on passenger side, left side	
48	DAA483CH134	Step roller track on passenger side, right side	

512NCE Escalator Track, Upper Landing

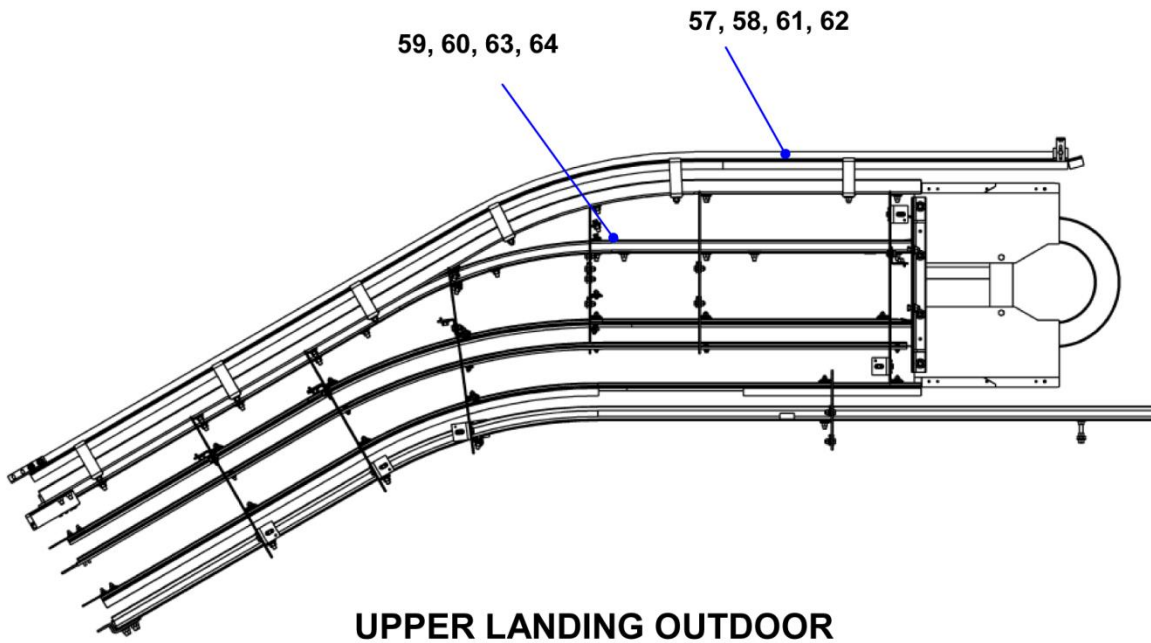
52-DAA26131Q



DAA26131Q			
REF. No.	PART No.	DESCRIPTION	
49	DAA483CC31	Upthrusttrack, left side	2 FLAT STEP
50	DAA483CC32	Upthrusttrack, right side	
51	DAA483CE31	Upthrusttrack, left side	
52	DAA483CE32	Upthrusttrack, right side	
53	DAA483CC33	Upthrusttrack, left side	3 FLAT STEP
54	DAA483CC34	Upthrusttrack, right side	
55	DAA483CE33	Upthrusttrack, left side	
56	DAA483CE34	Upthrusttrack, right side	

52-DAA26131Q

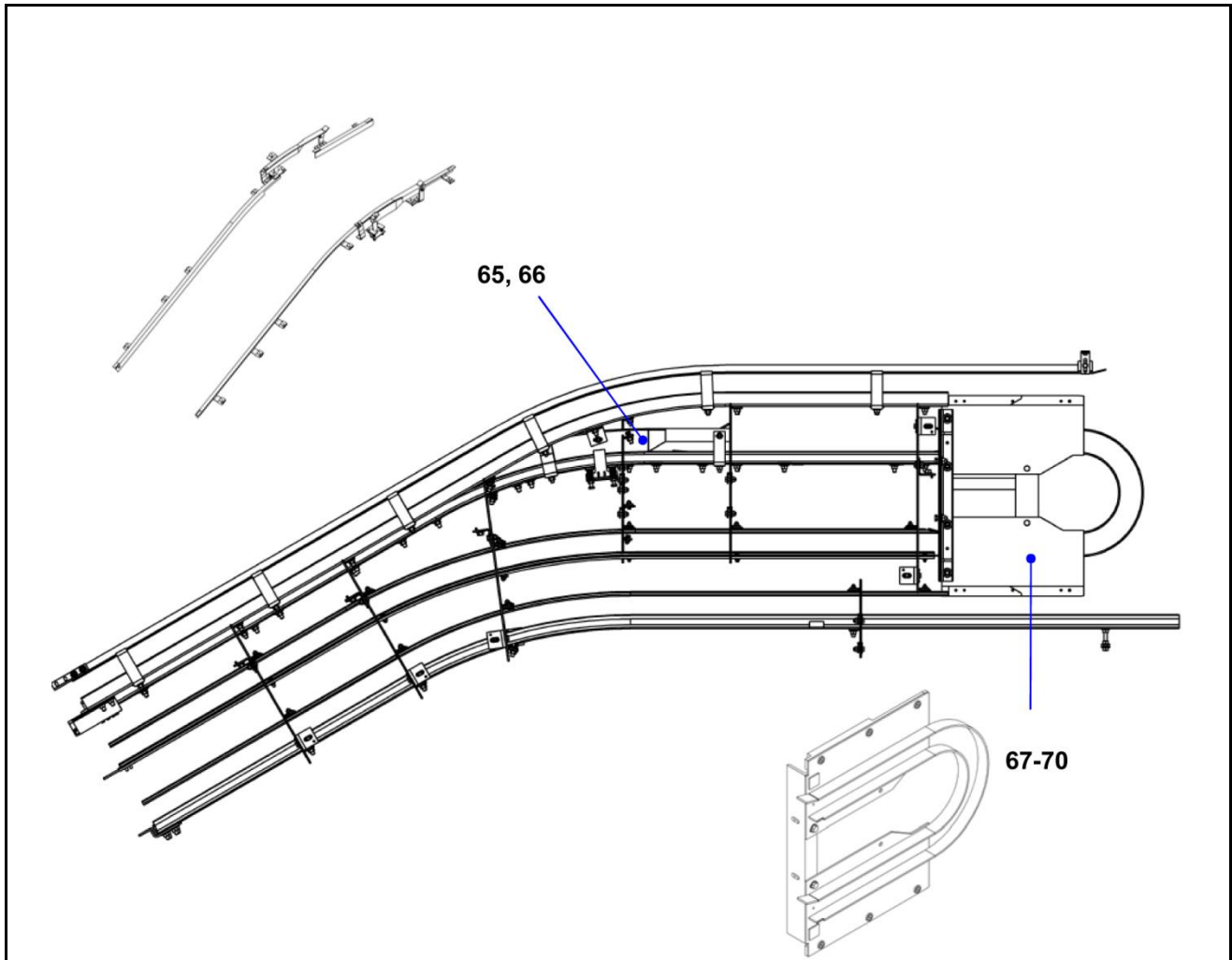
512NCE Escalator Track, Upper Landing



DAA26131Q			
REF. No.	PART No.	DESCRIPTION	
57	DAA483CC131	Upthrusttrack, leftside	2 FLAT STEP
58	DAA483CC132	Upthrusttrack, rightside	
59	DAA483CE131	Upthrusttrack, leftside	
60	DAA483CE132	Upthrusttrack, rightside	
61	DAA483CC133	Upthrusttrack, leftside	3 FLAT STEP
62	DAA483CC134	Upthrusttrack, rightside	
63	DAA483CE133	Upthrusttrack, leftside	
64	DAA483CE134	Upthrusttrack, rightside	

512NCE Escalator Track, Upper Landing

52-DAA26131Q

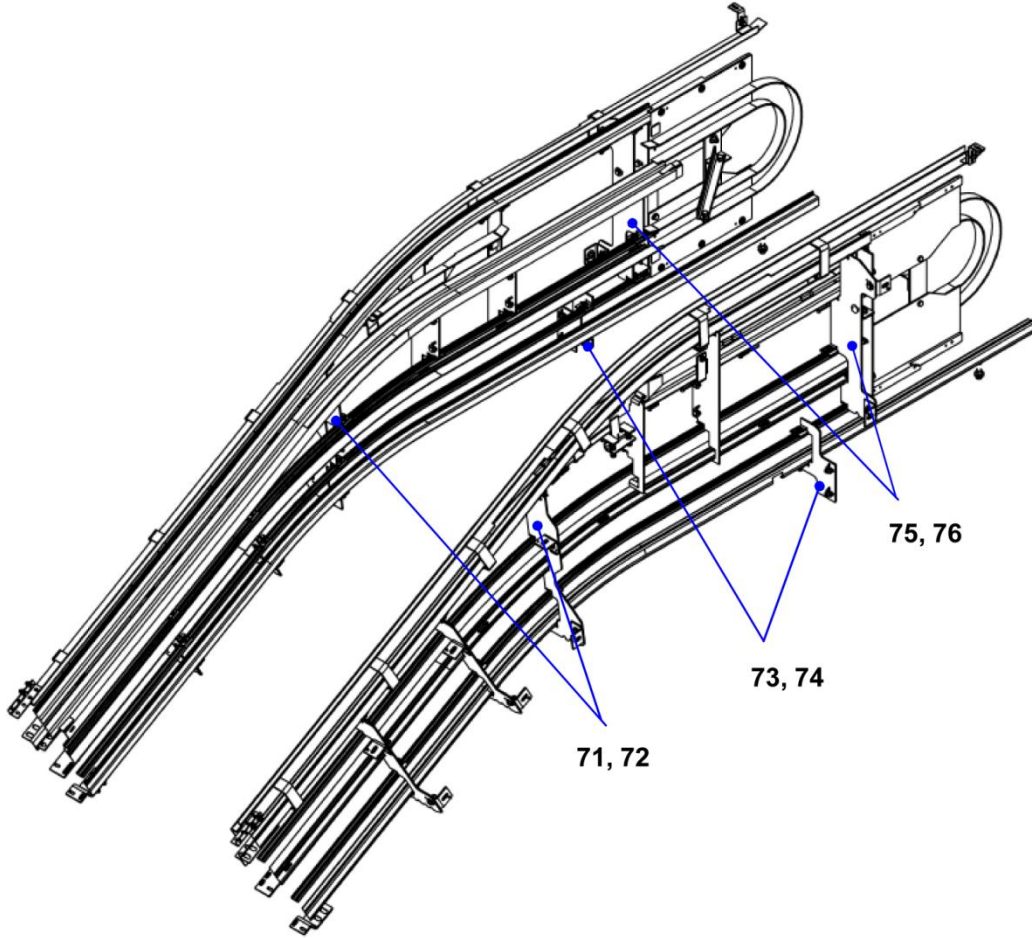


UPPER LANDING INDOOR/OUTDOOR

DAA26131Q			
REF. No.	PART No.	DESCRIPTION	
65	GAA483CPS3	Upthrust Track with Step Upthrust Device, Left & Right Side	2 Flat Step
66	GAA483CPS4	Upthrust Track with Step Upthrust Device, Left & Right Side	3 Flat Step
67	DAA483CW1	Step Roller Return Track, Left Side	Indoor
68	DAA483CW2	Step Roller Return Track, Right Side	
69	DAA483CW101	Step Roller Return Track, Left Side	Outdoor
70	DAA483CW102	Step Roller Return Track, Right Side	

52-DAA26131Q

512NCE Escalator Track, Upper Landing

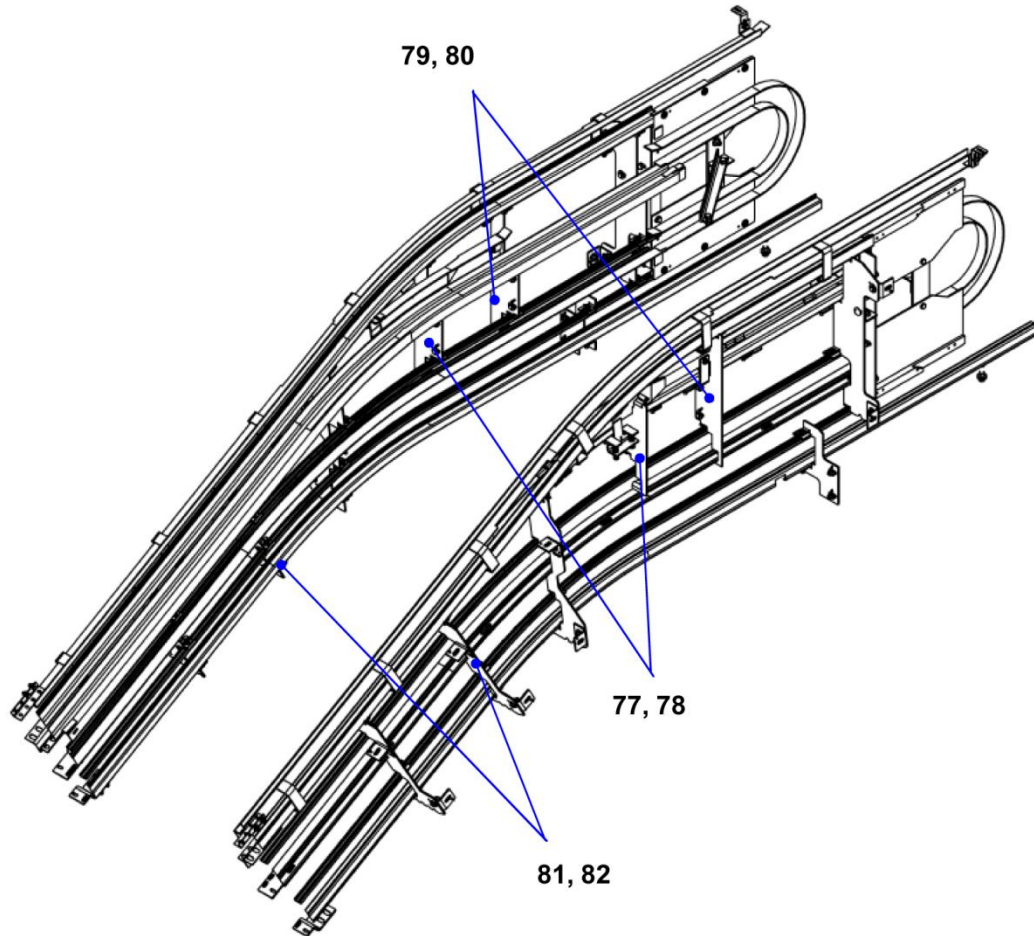


UPPER LANDING INDOOR

DAA26131Q			
REF. No.	PART No.	DESCRIPTION	
71	DAA318AW1	Track holder, left side	2 & 3 FLAT STEP
72	DAA318AW2	Track holder, right side	
73	DAA318AX1	Track holder, left side	
74	DAA318AX2	Track holder, right side	
75	DAA318AY1	Track holder, left side	
76	DAA318AY2	Track holder, right side	

512NCE Escalator Track, Upper Landing

52-DAA26131Q

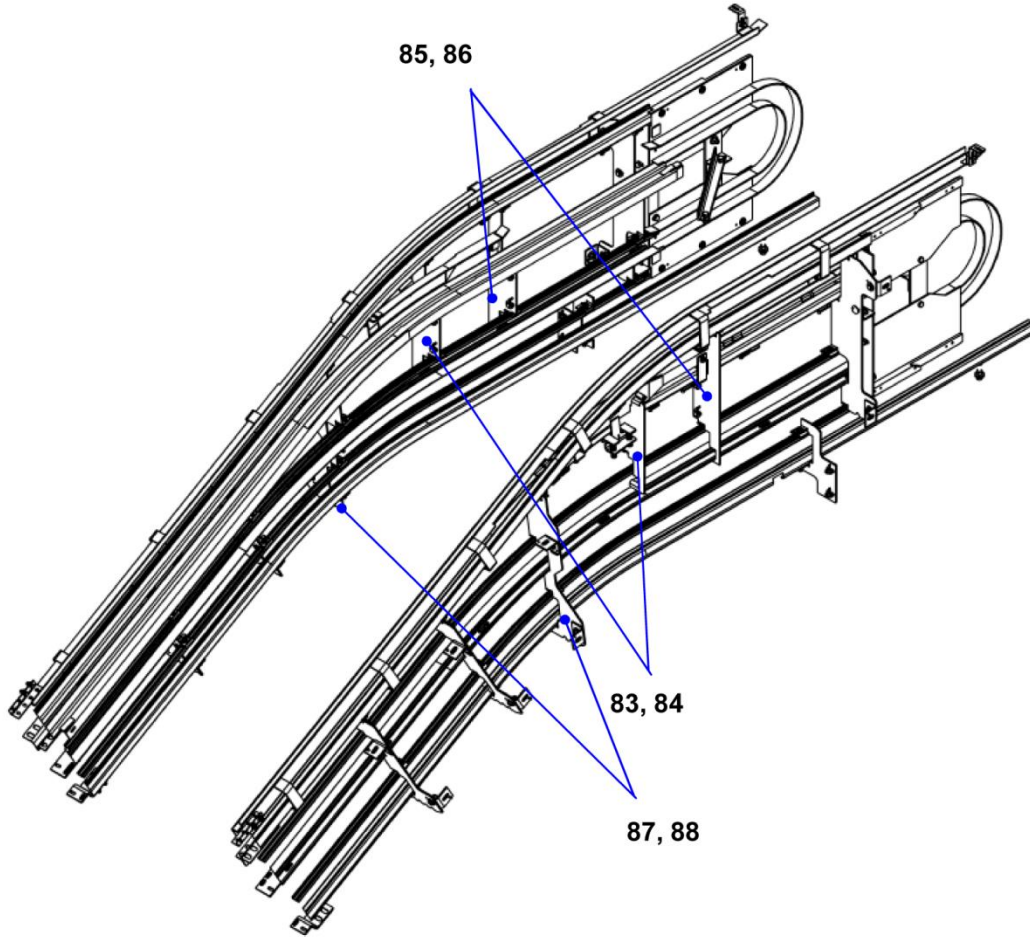


UPPER LANDING INDOOR

DAA26131Q			
REF. No.	PART No.	DESCRIPTION	
77	DAA318BC7	Track holder, left side	2 FLAT STEP
78	DAA318BC8	Track holder, right side	
79	DAA318BD5	Track holder, left side	
80	DAA318BD6	Track holder, right side	
81	DAA318CP1	Track holder, left side	2 & 3 FLAT STEP
82	DAA318CP2	Track holder, right side	

52-DAA26131Q

512NCE Escalator Track, Upper Landing

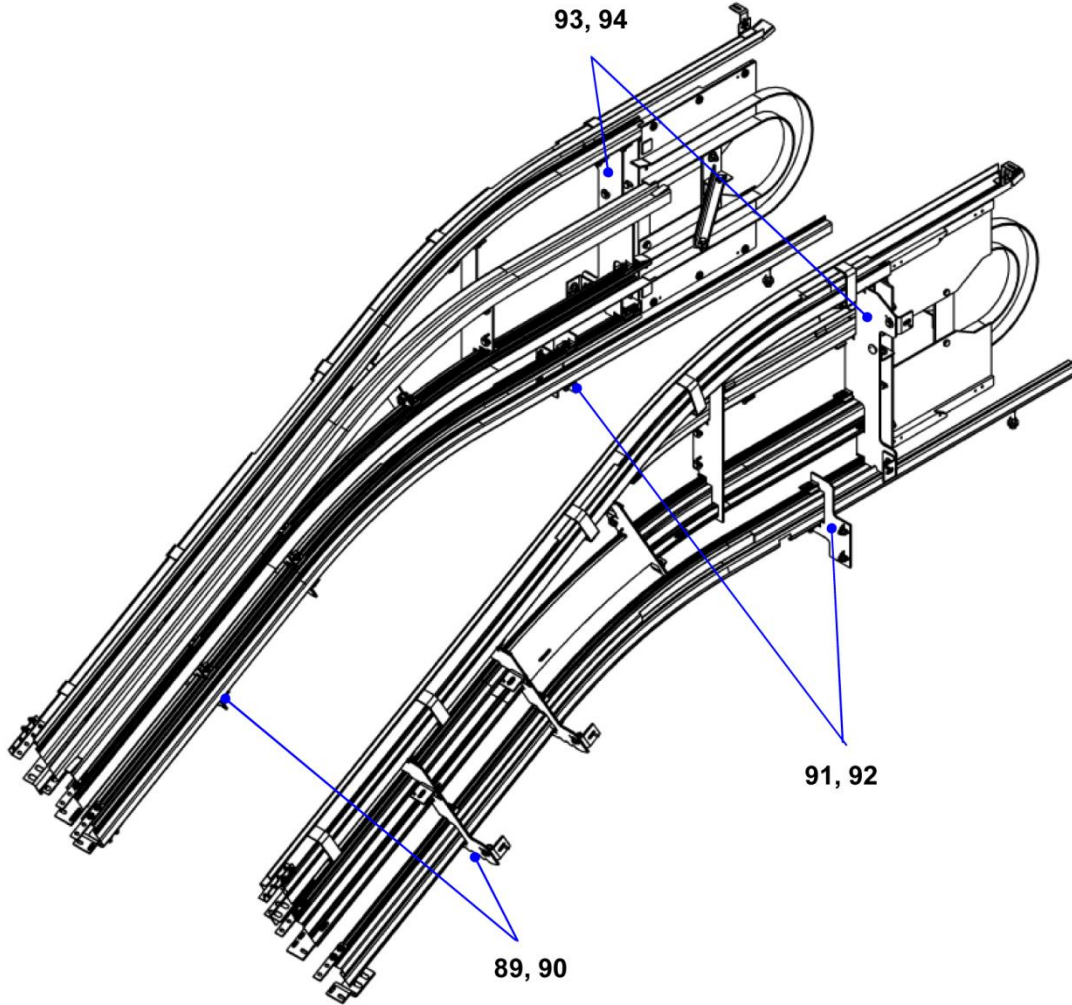


UPPER LANDING INDOOR

DAA26131Q			
REF. No.	PART No.	DESCRIPTION	
83	DAA318BC9	Track holder, left side	3 FLAT STEP
84	DAA318BC10	Track holder, right side	
85	DAA318BD3	Track holder, left side	
86	DAA318BD4	Track holder, right side	
87	DAA318BW1	Track holder, left side	
88	DAA318BW2	Track holder, right side	

512NCE Escalator Track, Upper Landing

52-DAA26131Q

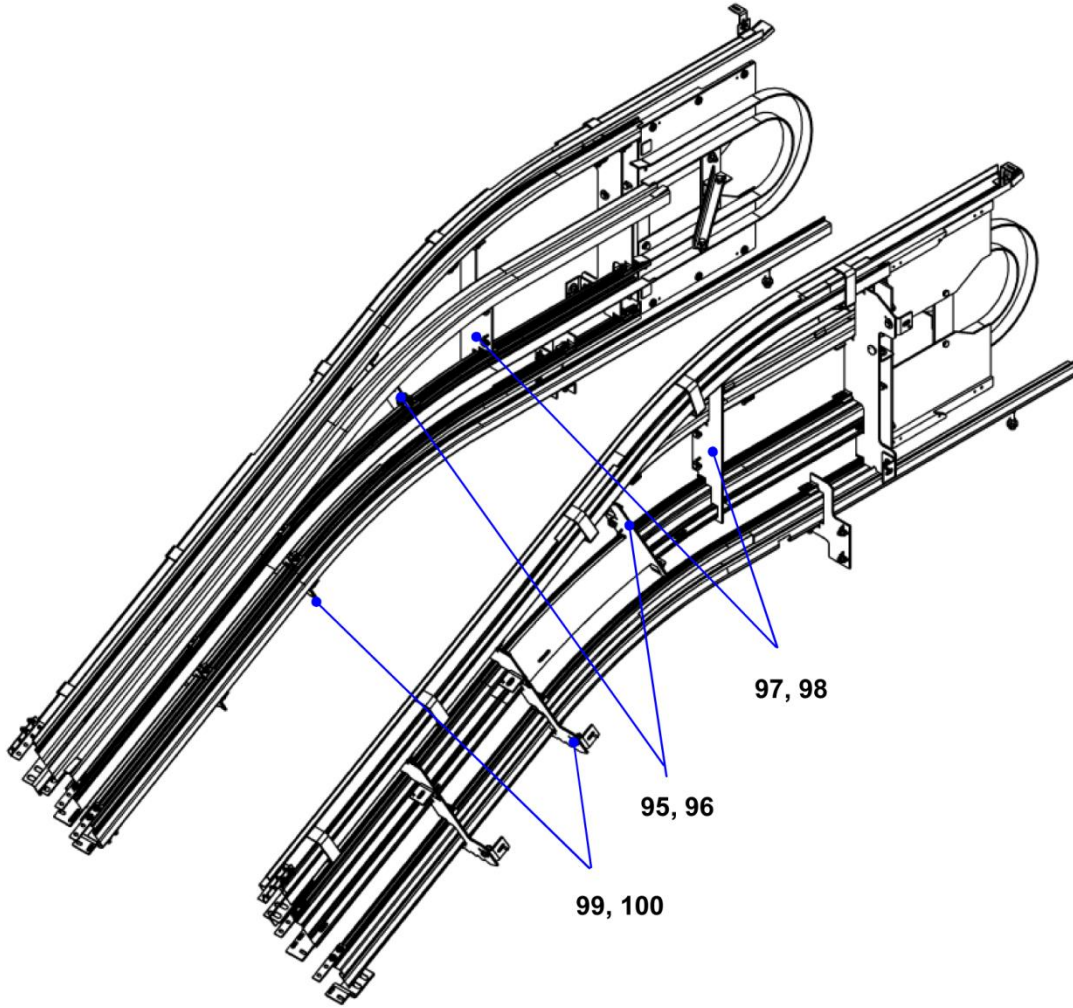


UPPER LANDING OUTDOOR

DAA26131Q			
REF. No.	PART No.	DESCRIPTION	
89	DAA318AW101	Track holder, left side	2 & 3 FLAT STEP
90	DAA318AW102	Track holder, right side	
91	DAA318AX101	Track holder, left side	
92	DAA318AX102	Track holder, right side	
93	DAA318AY101	Track holder, left side	
94	DAA318AY102	Track holder, right side	

52-DAA26131Q

512NCE Escalator Track, Upper Landing

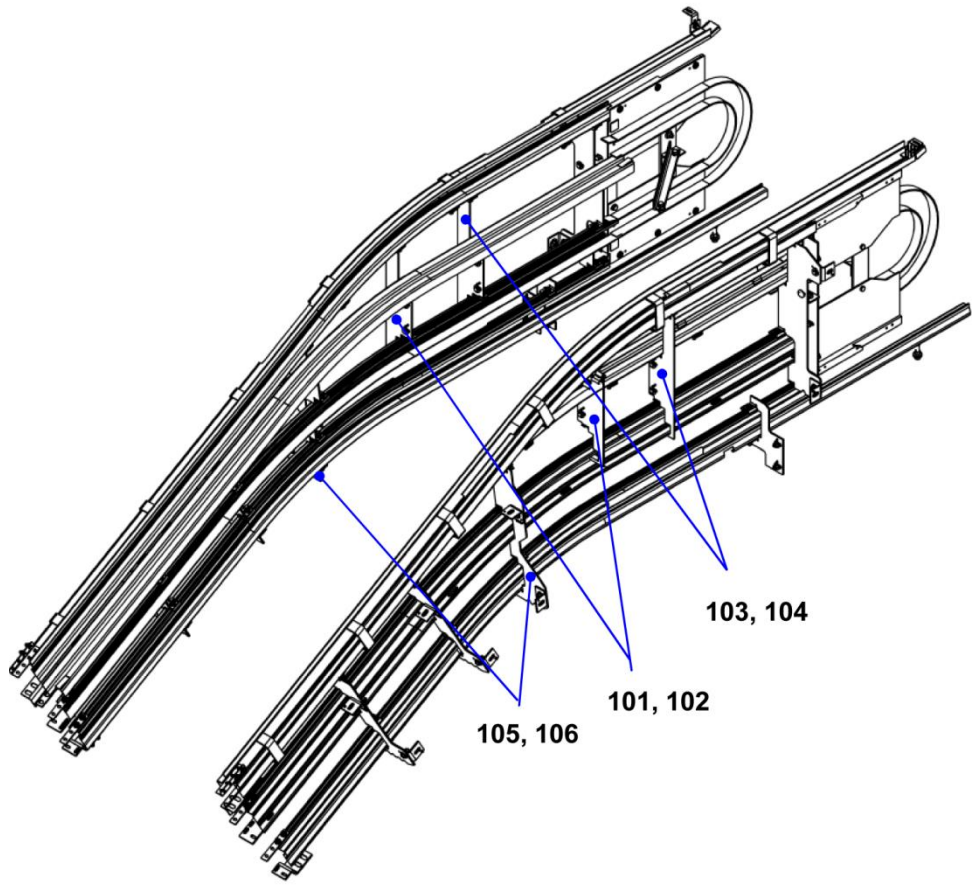


UPPER LANDING OUTDOOR

DAA26131Q			
REF. No.	PART No.	DESCRIPTION	
95	DAA318BC107	Track holder, left side	2 FLAT STEP
96	DAA318BC108	Track holder, right side	
97	DAA318BD105	Track holder, left side	
98	DAA318BD106	Track holder, right side	
99	DAA318CP101	Track holder, left side	2 & 3 FLAT STEP
100	DAA318CP102	Track holder, right side	

512NCE Escalator Track, Upper Landing

52-DAA26131Q

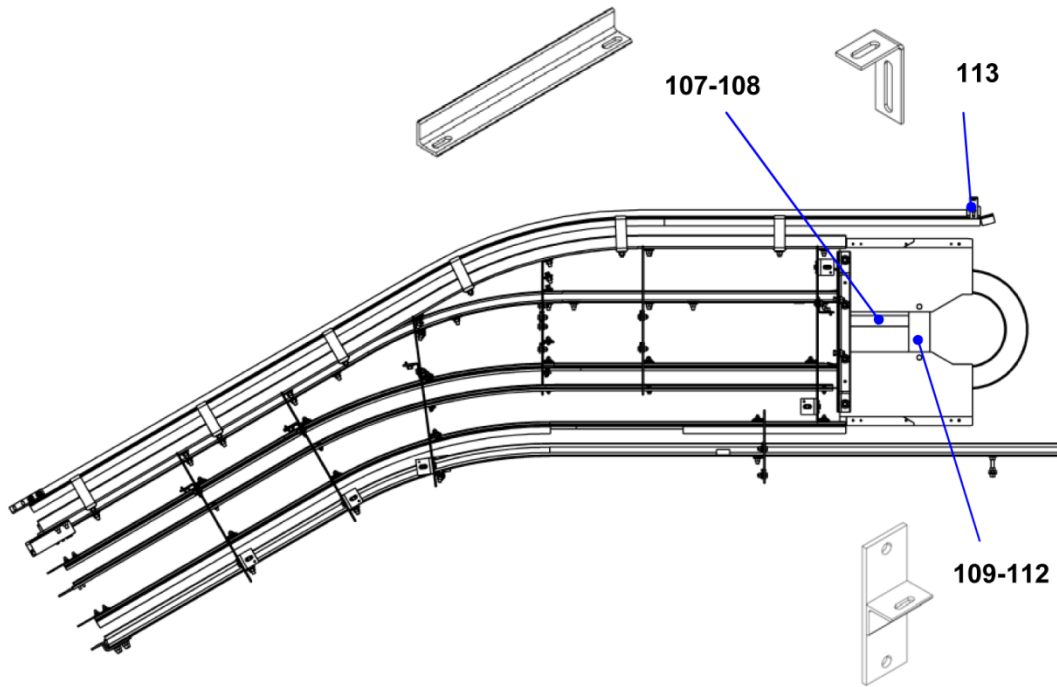


UPPER LANDING OUTDOOR

DAA26131Q			
REF. No.	PART No.	DESCRIPTION	
101	DAA318BC109	Track holder, left side	3 FLAT STEP
102	DAA318BC110	Track holder, right side	
103	DAA318BD103	Track holder, left side	
104	DAA318BD104	Track holder, right side	
105	DAA318BW101	Track holder, left side	
106	DAA318BW102	Track holder, right side	

52-DAA26131Q

512NCE Escalator Track, Upper Landing

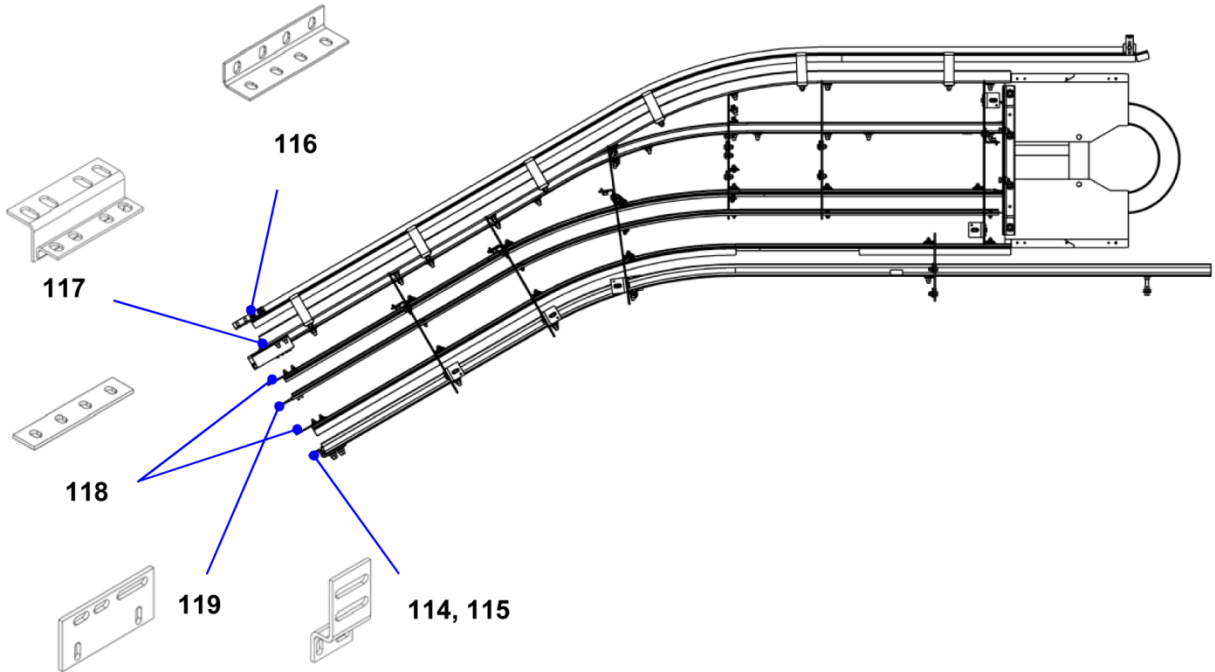


UPPER LANDING INDOOR/OUTDOOR

DAA26131Q			
REF. No.	PART No.	DESCRIPTION	
107	DAA272HG1	Angle	Indoor
108	DAA272HG101	Angle	Outdoor
109	DAA316AJE1	Bracket, left side	Indoor
110	DAA316AJE2	Bracket, right side	
111	DAA316AJE101	Bracket, left side	Outdoor
112	DAA316AJE102	Bracket, right side	
113	DAA283WF1	Angle	

512NCE Escalator Track, Upper Landing

52-DAA26131Q



UPPER LANDING INDOOR/OUTDOOR

DAA26131Q		
REF. No.	PART No.	DESCRIPTION
114	GAA180AZS1	Holder, left side
115	GAA180AZS2	Holder, right side
116	GAA272DSX1	Angle
117	GBA283AYY1	Angle
118	GOA298WT2	Strip
119	GAA299ATJ1	Strip