



# 508NCE/512NCE Escalator DBA26131AF

## History

### Leaflet Description

#### 508NCE & 512NCE ANSI ESCALATOR TRACK INCLINE SECTION

#### Leaflet Revisions

Date Revised	Subject Matter Expert	Reason for Revision
Apr. 27, 2018	Li,sien	Original document

#### Related Drawings

Drawing No.	Title	Drawing No.	Title
DBA26131AF	Track Incline Section		

#### Related Documents

Document ID	Title
BOM DBA26131AF	Track Incline Section

#### Subject Matter Expert

Name	Department
Liu, Zhaohui	SIT GUANGZHOU

#### About Spare Parts Leaflets...

This document lists the lowest replaceable units (LRUs) for the standard version of the product. The LRUs are chosen by a team of Otis associates representing engineering and manufacturing.

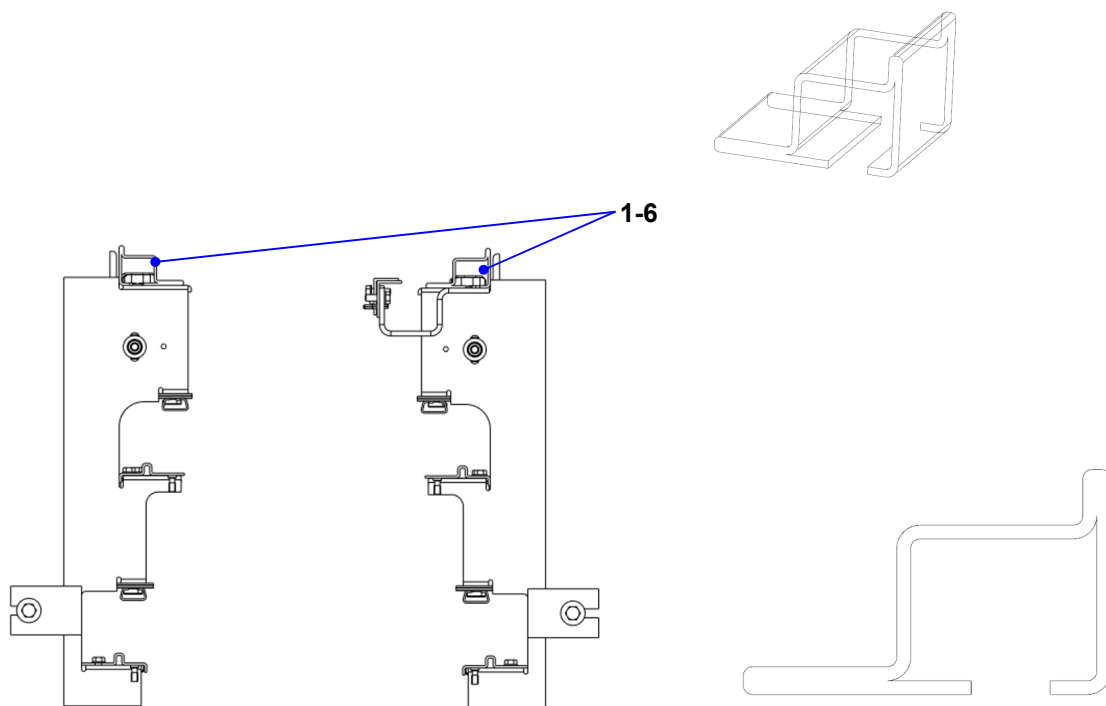
While goal of this document is to make parts identification as easy as possible, the document cannot be all-inclusive. Elevator and escalator contracts classified as "special" or "custom" are not addressed here. For such contracts, please refer to specified information, the contract folder, TIPs, Field Education Articles, Construction Letters, etc. for further information.

If you have any suggestions about this document, please contact the subject matter expert listed on this page.

# 508NCE/512NCE Escalator Track Incline Section

**Spare Parts Leaflet**  
**52-DBA26131AF**

**FOR 508NCE ANSI**

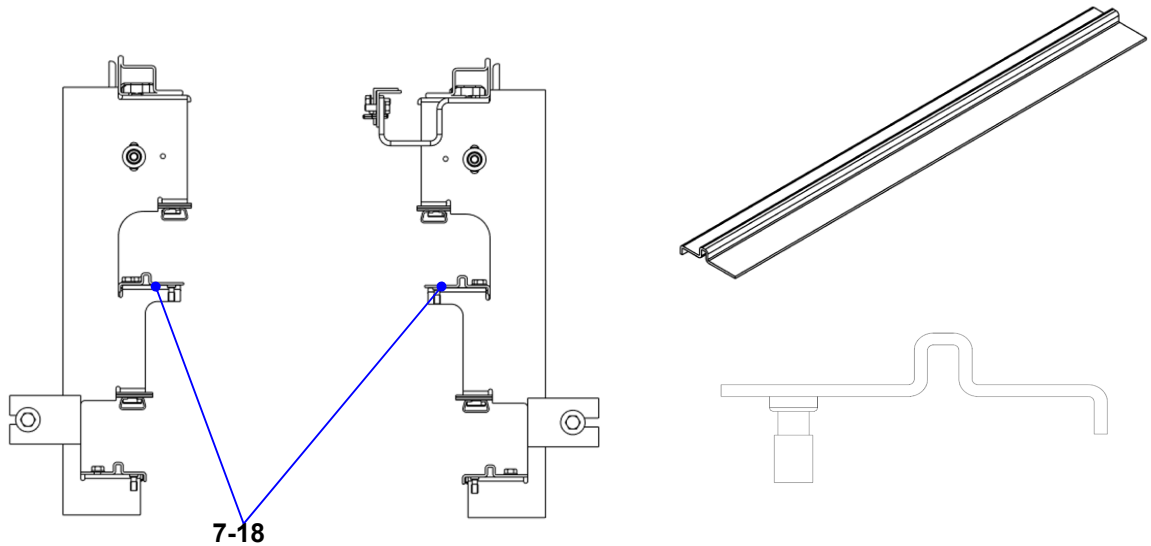


DBA26131AF			
REF. No.	PART No.	DESCRIPTION	
1	DAA483GV1	Track for passenger line, 5.8m	Indoor
2	DAA483GV4	Track for passenger line, 3.48m	
3	DAA483GV-V1	Track for passenger line. length per spec	
4	DAA483GV101	Track for passenger line, 5.8m	Outdoor
5	DAA483GV104	Track for passenger line, 3.48m	
6	DAA483GV-V101	Track for passenger line, length per spec	

# 508NCE/512NCE Escalator Track Incline Section

## Spare Parts Leaflet 52-DBA26131AF

FOR 508NCE ANSI

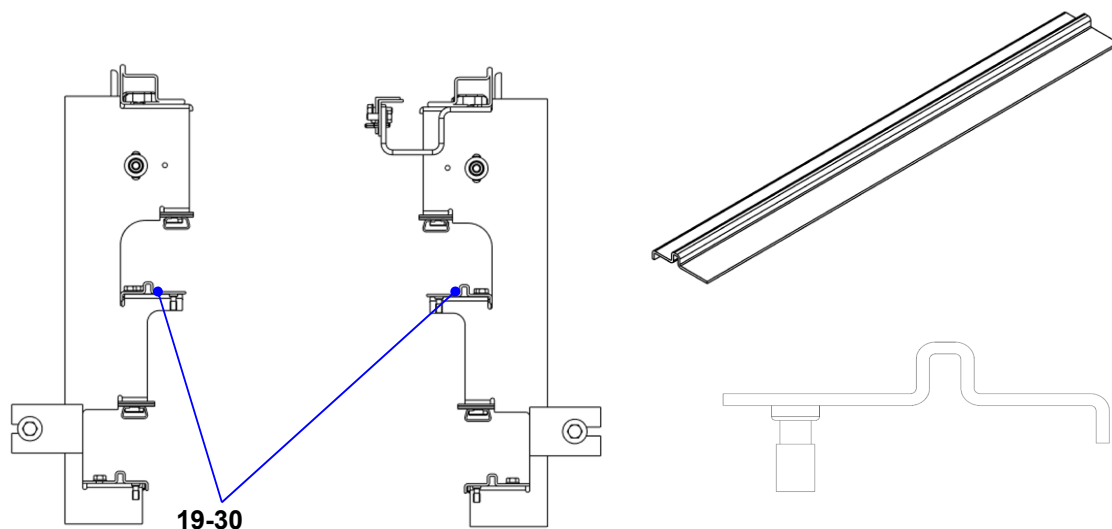


REF. No.	PART No.	DESCRIPTION	
	<b>DBA26131AF</b>		
7	DAA483GZ1	Step roller track for return side, left side, 5.8m	Indoor
8	DAA483GZ2	Step roller track for return side, right side, 5.8m	
9	DAA483GZ15	Step roller track for return side, left side, 3.48m	
10	DAA483GZ16	Step roller track for return side, right side, 3.48m	
11	DAA483GZ5	Step roller track for return side, left side, 5.8m	
12	DAA483GZ6	Step roller track for return side, right side, 5.8m	
13	DAA483GZ11	Step roller track for return side, left side, 3.48m	
14	DAA483GZ12	Step roller track for return side, right side, 3.48m	
15	DAA483GZ-V1	Step roller track for return side, left side, length per spec	
16	DAA483GZ-V2	Step roller track for return side, right side, length per spec	
17	DAA483GZ-V3	Step roller track for return side, left side, length per spec	
18	DAA483GZ-V4	Step roller track for return side, right side, length per spec	

# 508NCE/512NCE Escalator Track Incline Section

## Spare Parts Leaflet 52-DBA26131AF

FOR 508NCE ANSI

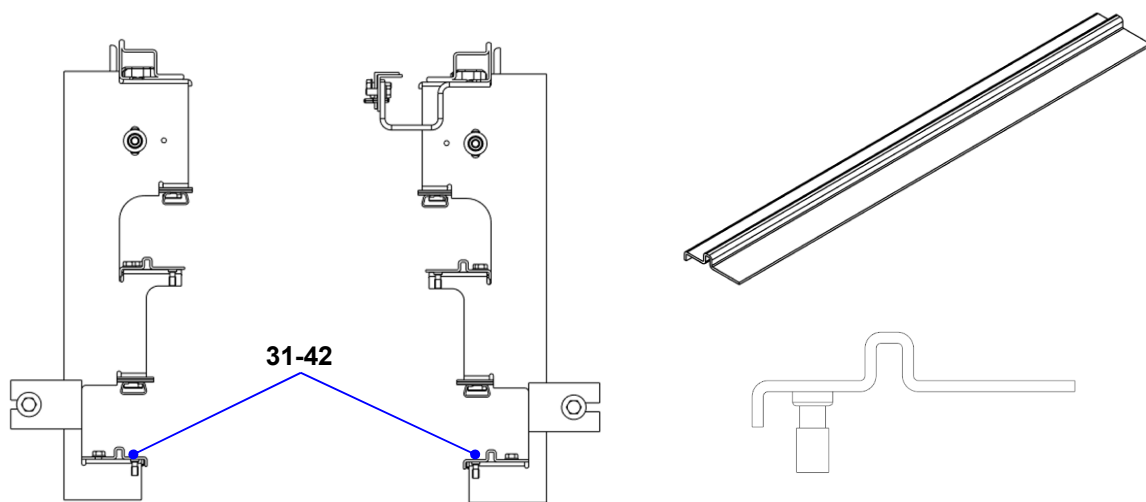


REF. No.	PART No.	DESCRIPTION	
	<b>DBA26131AF</b>		
19	DAA483GZ101	Step roller track for return side, left side, 5.8m	Outdoor
20	DAA483GZ102	Step roller track for return side, right side, 5.8m	
21	DAA483GZ115	Step roller track for return side, left side, 3.48m	
22	DAA483GZ116	Step roller track for return side, right side, 3.48m	
23	DAA483GZ105	Step roller track for return side, left side, 5.8m	
24	DAA483GZ106	Step roller track for return side, right side, 5.8m	
25	DAA483GZ111	Step roller track for return side, left side, 3.48m	
26	DAA483GZ112	Step roller track for return side, right side, 3.48m	
27	DAA483GZ-V101	Step roller track for return side, left side, length per spec	
28	DAA483GZ-V102	Step roller track for return side, right side, length per spec	
29	DAA483GZ-V103	Step roller track for return side, left side, length per spec	
30	DAA483GZ-V104	Step roller track for return side, right side, length per spec	

# 508NCE/512NCE Escalator Track Incline Section

## Spare Parts Leaflet 52-DBA26131AF

FOR 508NCE ANSI

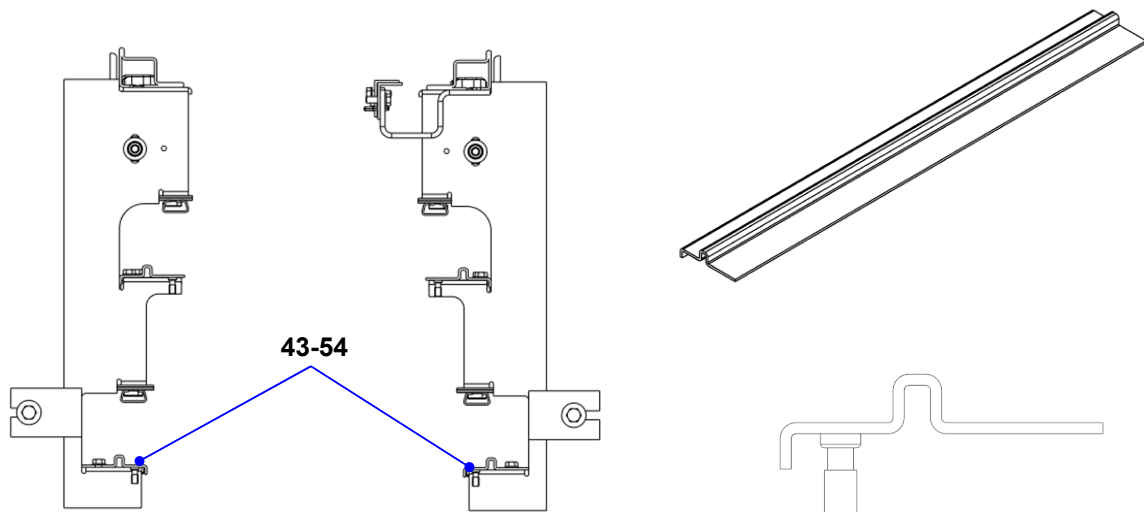


DBA26131AF			
REF. No.	PART No.	DESCRIPTION	
31	DAA483HA1	Step chain roller track for return side, left side, 5.8m	Indoor
32	DAA483HA2	Step chain roller track for return side, right side, 5.8m	
33	DAA483HA15	Step chain roller track for return side, left side, 3.48m	
34	DAA483HA16	Step chain roller track for return side, right side, 3.48m	
35	DAA483HA5	Step chain roller track for return side, left side, 5.829m	
36	DAA483HA6	Step chain roller track for return side, right side, 5.829m	
37	DAA483HA11	Step chain roller track for return side, left side, 3.509m	
38	DAA483HA12	Step chain roller track for return side, right side, 3.509m	
39	DAA483HA-V1	Step chain roller track for return side, left side, length per spec	
40	DAA483HA-V2	Step chain roller track for return side, right side, length per spec	
41	DAA483HA-V3	Step chain roller track for return side, left side, length per spec	
42	DAA483HA-V4	Step chain roller track for return side, right side, length per spec	

# 508NCE/512NCE Escalator Track Incline Section

## Spare Parts Leaflet 52-DBA26131AF

FOR 508NCE ANSI

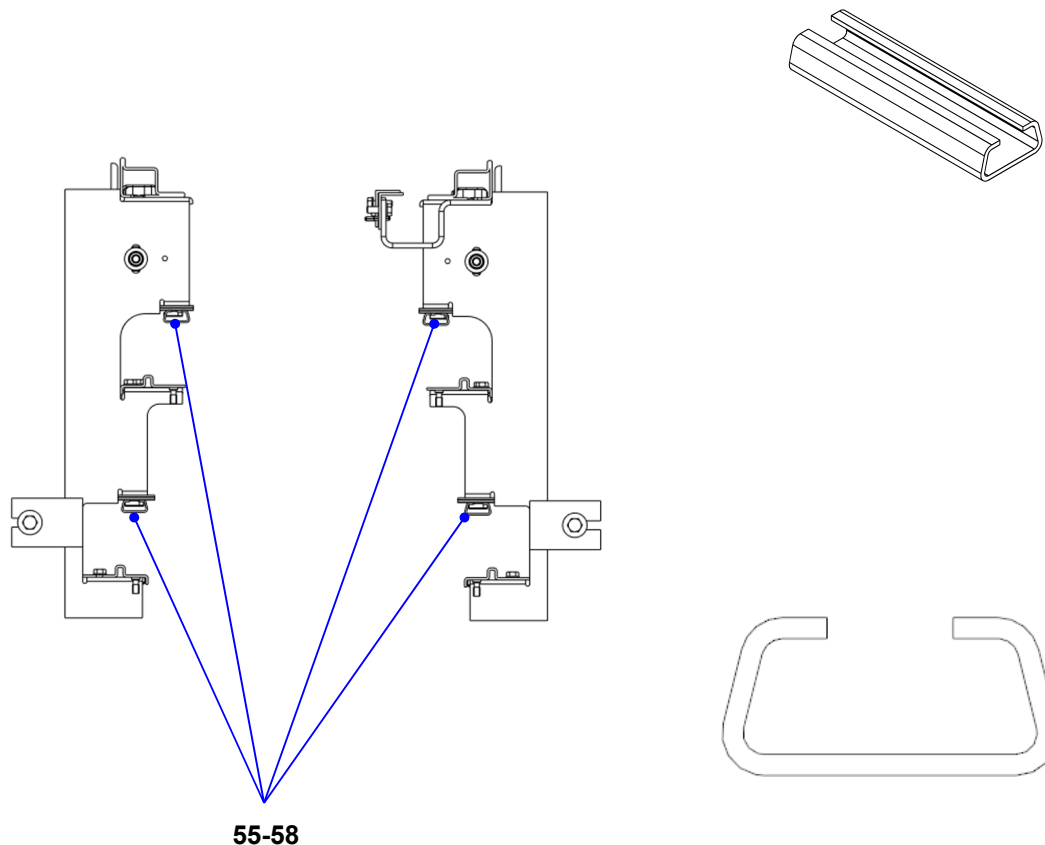


	DBA26131AF		
REF. No.	PART No.	DESCRIPTION	
43	DAA483HA101	Step chain roller track for return side, left side, 5.8m	Outdoor
44	DAA483HA102	Step chain roller track for return side, right side, 5.8m	
45	DAA483HA115	Step chain roller track for return side, left side, 3.48m	
46	DAA483HA116	Step chain roller track for return side, right side, 3.48m	
47	DAA483HA105	Step chain roller track for return side, left side, 5.829m	
48	DAA483HA106	Step chain roller track for return side, right side, 5.829m	
49	DAA483HA111	Step chain roller track for return side, left side, 3.509m	
50	DAA483HA112	Step chain roller track for return side, right side, 3.509m	
51	DAA483HA-V101	Step chain roller track for return side, left side, length per spec	
52	DAA483HA-V102	Step chain roller track for return side, right side, length per spec	
53	DAA483HA-V103	Step chain roller track for return side, left side, length per spec	
54	DAA483HA-V104	Step chain roller track for return side, right side, length per spec	

# 508NCE/512NCE Escalator Track Incline Section

**Spare Parts Leaflet**  
**52-DBA26131AF**

**FOR 508NCE ANSI/512NCE ANSI**



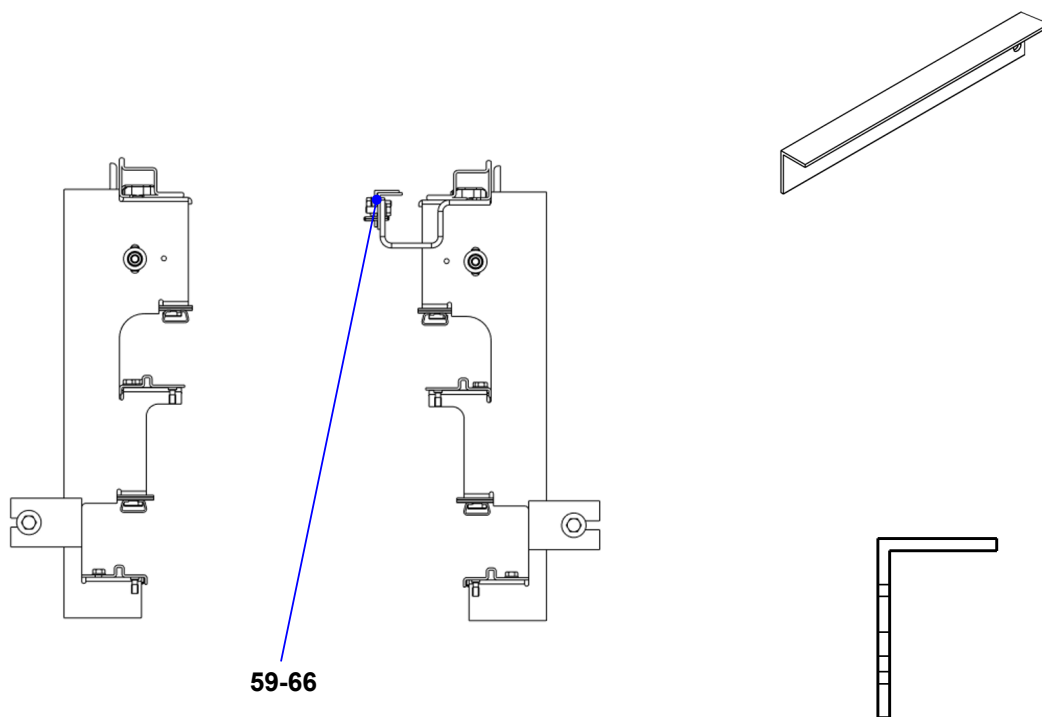
DBA26131AF			
REF. No.	PART No.	DESCRIPTION	
55	DAA483GX1	Upthrust track for return side, 5.8m	Indoor
56	DAA483GX2	Upthrust track for return side, 2.9m, only for 512nce	
57	DAA483GX3	Upthrust track for return side, 3.48m	
58	DAA483GX-V	Upthrust track for return side, length per spec,	Indoor/outdoor



# 508NCE/512NCE Escalator Track Incline Section

**Spare Parts Leaflet  
52-DBA26131AF**

**FOR 508NCE/512NCE ANSI**

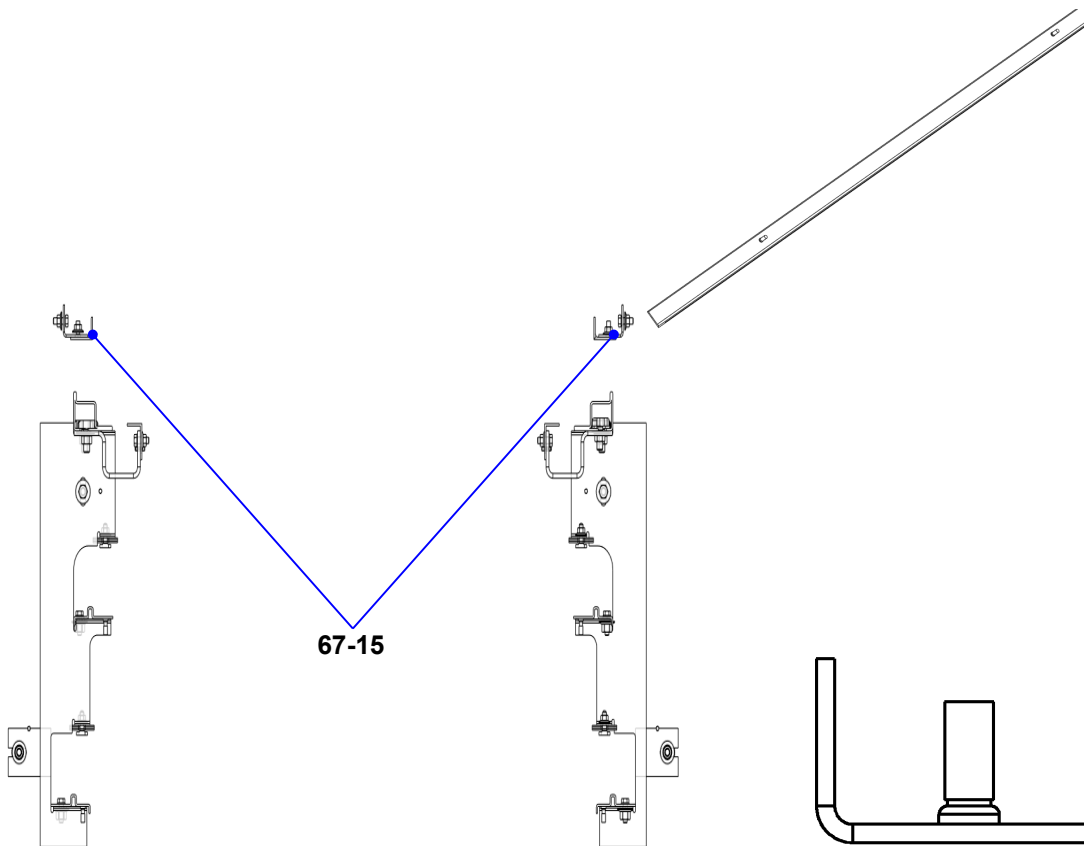


DBA26131AF			
REF. No.	PART No.	DESCRIPTION	
59	DAA483GT1	Upthrust track, 5.8m	Indoor
60	DAA483GT2	Upthrust track, 2.9m, only for 512nce	
61	DAA483GT3	Upthrust track, 3.48m	
62	DAA483GT101	Upthrust track, 5.8m	Outdoor
63	DAA483GT102	Upthrust track, 2.9m, only for 512nce	
64	DAA483GT103	Upthrust track, 3.48m	
65	DAA483GT-V2	Upthrust track, length per spec	Indoor
66	DAA483GT-V102	Upthrust track, length per spec	Outdoor

# 508NCE/512NCE Escalator Track Incline Section

## Spare Parts Leaflet 52-DBA26131AF

FOR 512NCE ANSI OPAQUE BALUSTRADE

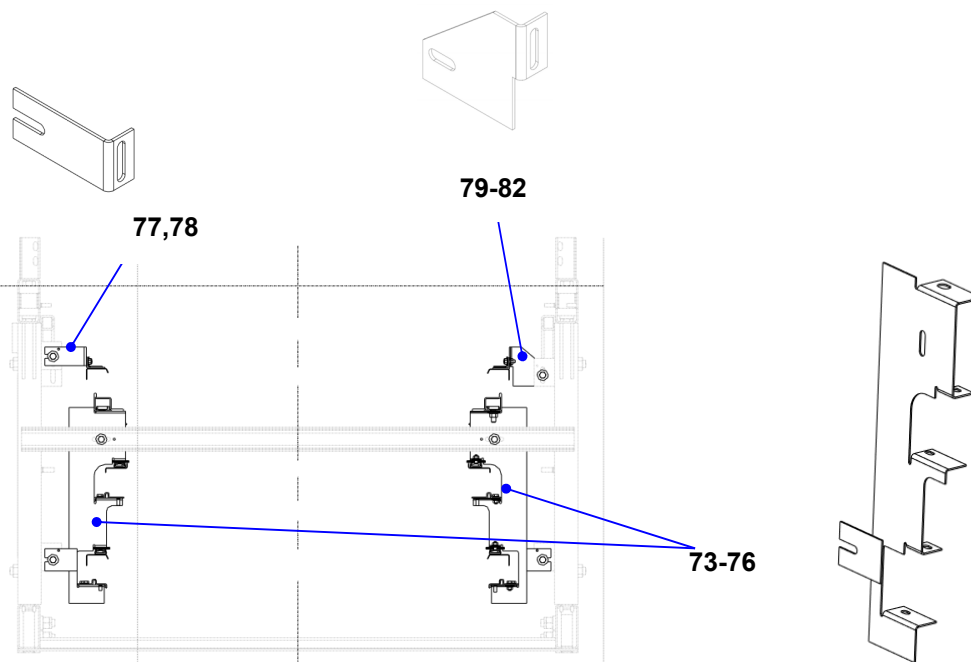


DBA26131AF			
REF. No.	PART No.	DESCRIPTION	
67	DAA483KN1	Upthrust track, 5.8m, left& right side	Indoor
68	DAA483KN3	Upthrust track, 2.9m, left side	
69	DAA483KN4	Upthrust track, 2.9m, right side	
70	DAA483KN2	Upthrust track, 3.48m, left& right side	
71	DAA483KN-V1	Upthrust track, length per spec, left side	
72	DAA483KN-V2	Upthrust track, length per spec, right side	

# 508NCE/512NCE Escalator Track Incline Section

## Spare Parts Leaflet 52-DBA26131AF

### FOR 508NCE/512NCE ANSI

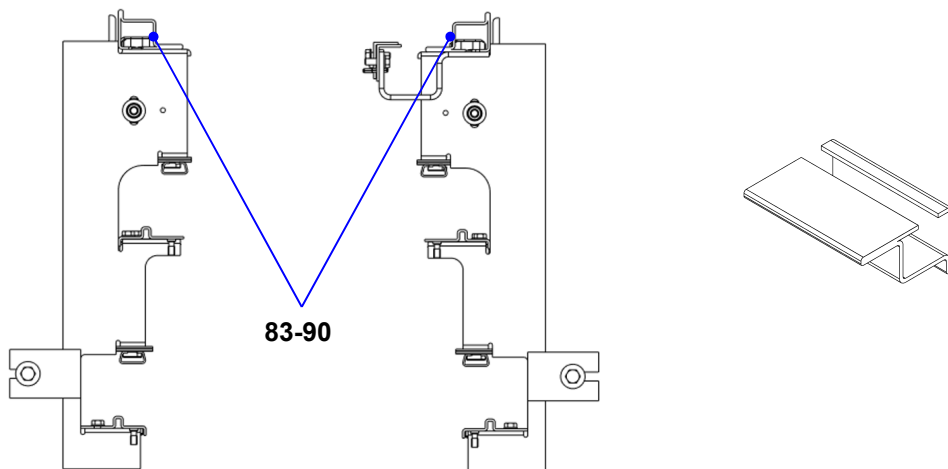


REF. No.	PART No.	DESCRIPTION	
	<b>DBA26131AF</b>		
73	DAA318EN1	Track holder for H-frame, left side	Indoor
74	DAA318EN2	Track holder for H-frame, right side	
75	DAA318EN101	Track holder for H-frame, left side	Outdoor
76	DAA318EN102	Track holder for H-frame, right side	
77	DAA318EP1	Track holder for h-frame, only for 512nce,opaque balustrade	Indoor
78	DAA318EP101	Track holder for h-frame, only for 512nce,opaque balustrade	Outdoor
79	DAA318EQ1	Track holder for h-frame, left side, only for 512nce,opaque balustrade	Indoor
80	DAA318EQ2	Track holder for h-frame, right side, only for 512nce,opaque balustrade	
81	DAA318EQ101	Track holder for h-frame, left side, only for 512nce,opaque balustrade	Outdoor
82	DAA318EQ102	Track holder for h-frame, right side, only for 512nce,opaque balustrade	

# 508NCE/512NCE Escalator Track Incline Section

**Spare Parts Leaflet**  
**52-DBA26131AF**

**FOR 512NCE ANSI**

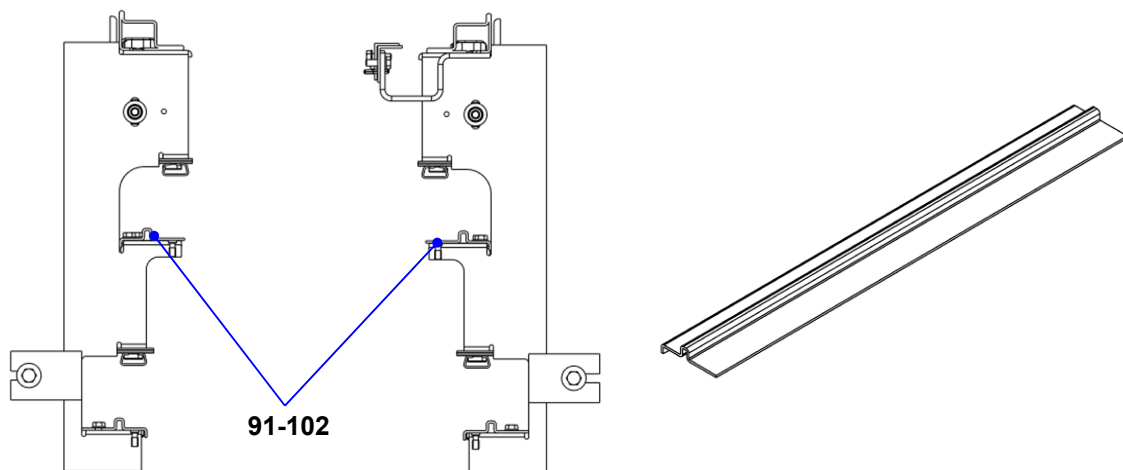


DBA26131AF			
REF. No.	PART No.	DESCRIPTION	
83	DAA483GV1	Track for passenger side, 5.8m	Indoor
84	DAA483GV2	Track for passenger side, 2.9m	
85	DAA483GV4	Track for passenger side, 3.48m	
86	DAA483GV101	Track for passenger side, 5.8m	Outdoor
87	DAA483GV102	Track for passenger side, 2.9m	
88	DAA483GV104	Track for passenger side, 3.48m	
89	DAA483GV-V1	Track for passenger side, length per spec.	Indoor
90	DAA483GV-V101	Track for passenger side, length per spec.	Outdoor

# 508NCE/512NCE Escalator Track Incline Section

**Spare Parts Leaflet**  
**52-DBA26131AF**

**FOR 512NCE ANSI**

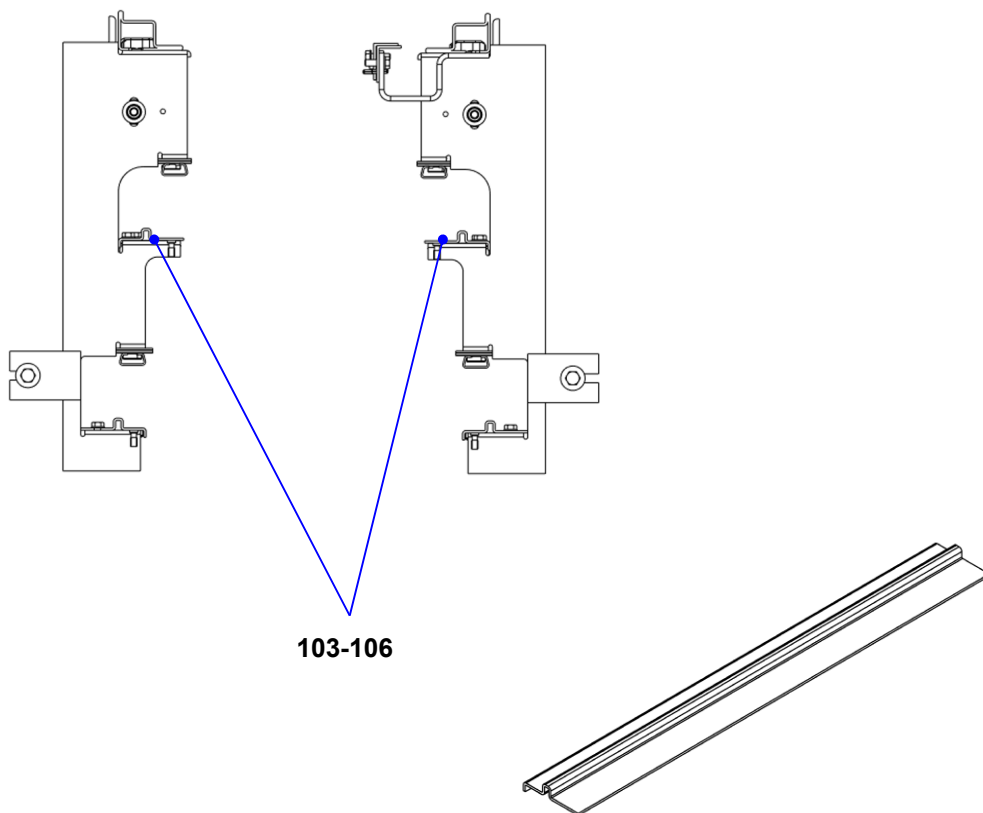


DBA26131AF			
REF. No.	PART No.	DESCRIPTION	
91	DAA483GS1	Step roller track for return side, left side, 5.9m	Indoor
92	DAA483GS2	Step roller track for return side, right side, 5.9m	
93	DAA483GS3	Step roller track for return side, left side, 2.9m	
94	DAA483GS4	Step roller track for return side, right side, 2.9m	
95	DAA483GS5	Step roller track for return side, left side, 3.48m	
96	DAA483GS6	Step roller track for return side, right side, 3.48m	
97	DAA483GS101	Step roller track for return side, left side, 5.9m	Outdoor
98	DAA483GS102	Step roller track for return side, right side, 5.9m	
99	DAA483GS103	Step roller track for return side, left side, 2.9m	
100	DAA483GS104	Step roller track for return side, right side, 2.9m	
101	DAA483GS105	Step roller track for return side, left side, 3.48m	
102	DAA483GS106	Step roller track for return side, right side, 3.48m	

**508NCE/512NCE Escalator  
Track Incline Section**

**Spare Parts Leaflet  
52-DBA26131AF**

**FOR 512NCE ANSI**

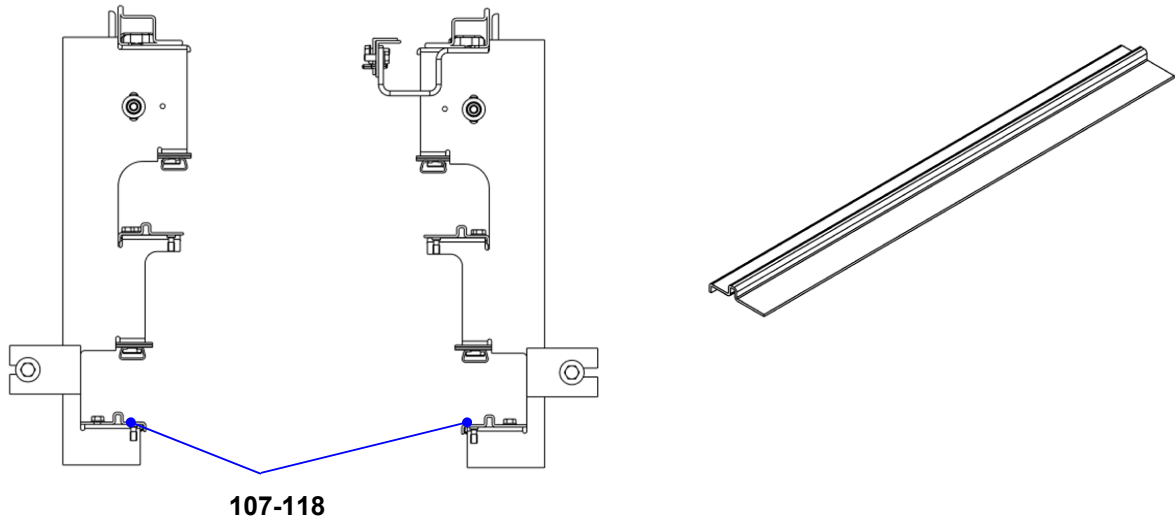


		DBA26131AF	
REF. No.	PART No.	DESCRIPTION	
103	DAA483GS-V1	Step roller track for return side, left side, length per spec.	Indoor
104	DAA483GS-V2	Step roller track for return side, right side, length per spec.	
105	DAA483GS-V101	Step roller track for return side, left side, length per spec.	Outdoor
106	DAA483GS-V102	Step roller track for return side, right side, length per spec.	

# 508NCE/512NCE Escalator Track Incline Section

**Spare Parts Leaflet  
52-DBA26131AF**

**FOR 512NCE ANSI**

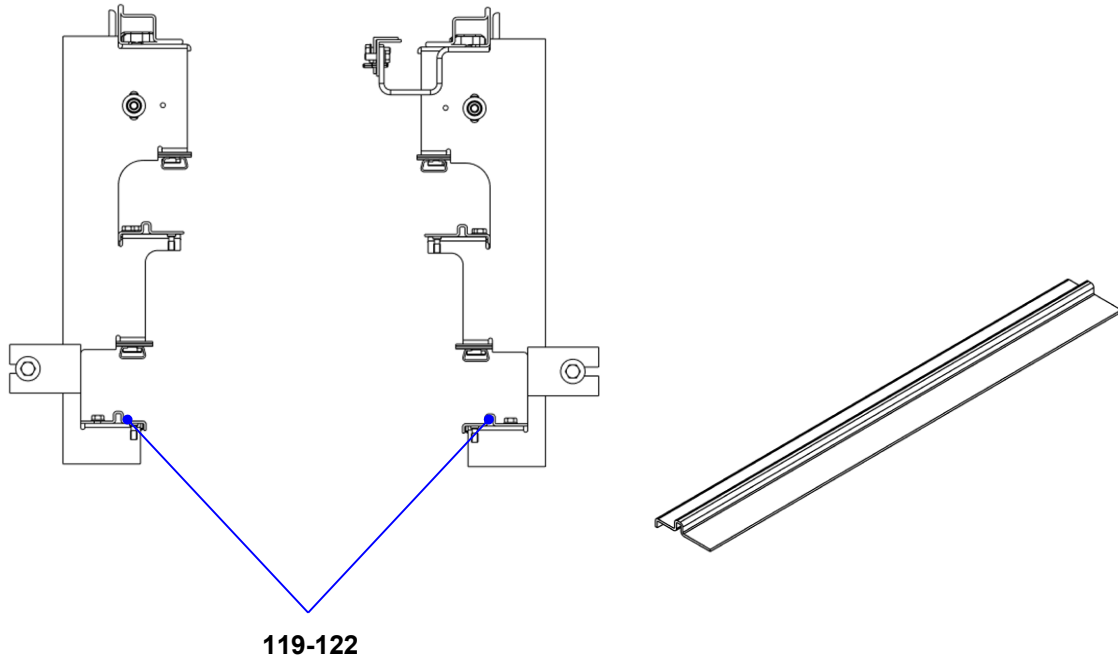


DBA26131AF			
REF. No.	PART No.	DESCRIPTION	
107	DAA483FJ1	Step chain roller track for return side, left side, 5.9m	Indoor
108	DAA483FJ2	Step chain roller track for return side, right side, 5.9m	
109	DAA483FJ3	Step chain roller track for return side, left side, 2.9m	
110	DAA483FJ4	Step chain roller track for return side, right side, 2.9m	
111	DAA483FJ5	Step chain roller track for return side, left side, 3.48m	
112	DAA483FJ6	Step chain roller track for return side, right side, 3.48m	
113	DAA483FJ101	Step chain roller track for return side, left side, 5.9m	Outdoor
114	DAA483FJ102	Step chain roller track for return side, right side, 5.9m	
115	DAA483FJ103	Step chain roller track for return side, left side, 2.9m	
116	DAA483FJ104	Step chain roller track for return side, right side, 2.9m	
117	DAA483FJ105	Step chain roller track for return side, left side, 3.48m	
118	DAA483FJ106	Step chain roller track for return side, right side, 3.48m	

# 508NCE/512NCE Escalator Track Incline Section

**Spare Parts Leaflet  
52-DBA26131AF**

**FOR 512NCE ANSI**



DBA26131AF			
REF. No.	PART No.	DESCRIPTION	
119	DAA483FJ-V1	Step chain roller track for return side, left side, length per spec.	Indoor
120	DAA483FJ-V2	Step chain roller track for return side, right side, length per spec.	
121	DAA483FJ-V101	Step chain roller track for return side, left side, length per spec.	Outdoor
122	DAA483FJ-V102	Step chain roller track for return side, right side, length per spec.	