



# 508NCE Escalator DBA26131AH

## History

### Leaflet Description

508NCE ANSI ESCALATOR TRACK LOWER LANDING, INDOOR

### Leaflet Revisions

Date Revised	Subject Matter Expert	Reason for Revision
Apr. 27, 2018	Li,sien	Original document

### Related Drawings

Drawing No.	Title	Drawing No.	Title
DBA26131AH	Track lower landing		

### Related Documents

Document ID	Title
BOM DBA26131AH	Track lower landing

### Subject Matter Expert

Name	Department
Liu, Zhaohui	SIT GUANGZHOU

### About Spare Parts Leaflets...

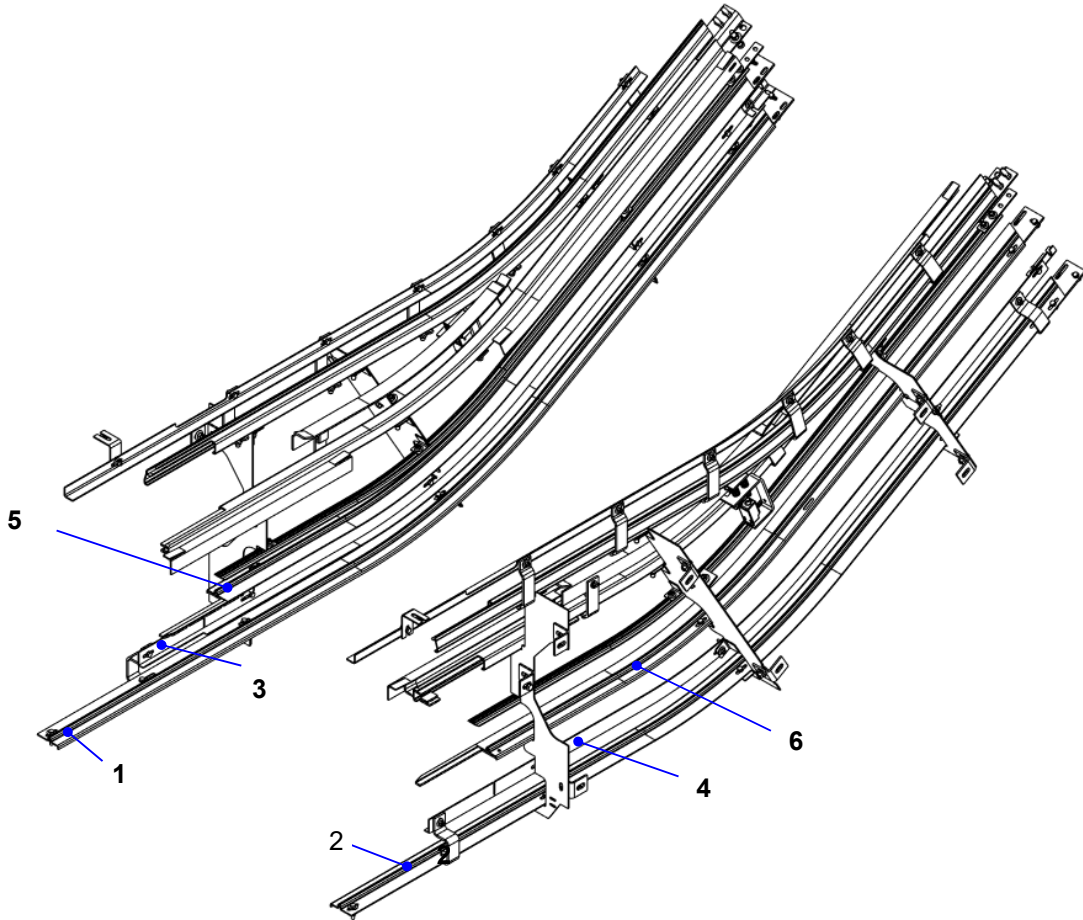
This document lists the lowest replaceable units (LRUs) for the standard version of the product. The LRUs are chosen by a team of Otis associates representing engineering and manufacturing.

While goal of this document is to make parts identification as easy as possible, the document cannot be all-inclusive. Elevator and escalator contracts classified as "special" or "custom" are not addressed here. For such contracts, please refer to specified information, the contract folder, TIPs, Field Education Articles, Construction Letters, etc. for further information.

If you have any suggestions about this document, please contact the subject matter expert listed on this page.

# 508NCE Escalator Track Lower Landing

**Spare Parts Leaflet  
52-DBA26131AH**

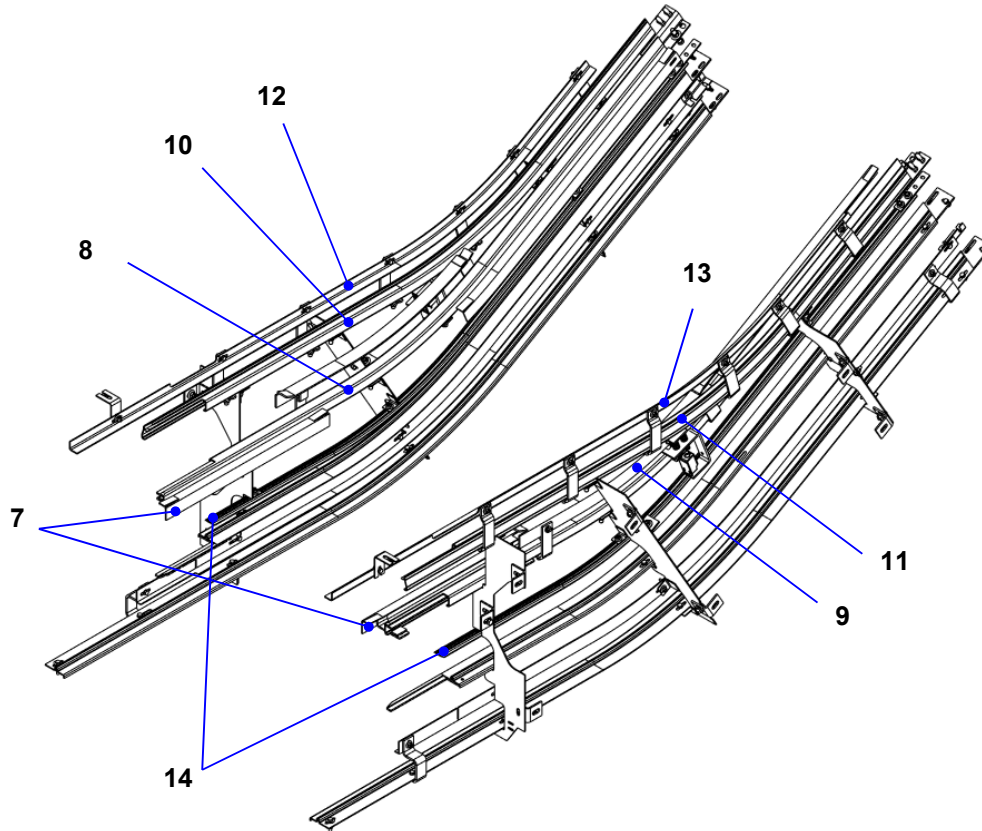


## LOWER LANDING INDOOR

REF. No.	PART No.	DESCRIPTION	
	<b>DBA26131AH</b>		
1	DAA483EM11	Track for step chain roller, on return side, left side	2 FLAT STEP
2	DAA483EM12	Track for step chain roller, on return side, right side	
3	DAA483EN11	Track, left side	
4	DAA483EN12	Track, right side	
5	DAA483EL11	Track for step roller , on return side, left side	
6	DAA483EL12	Track for step roller , on return side, right side	

# 508NCE Escalator Track Lower Landing

**Spare Parts Leaflet  
52-DBA26131AH**

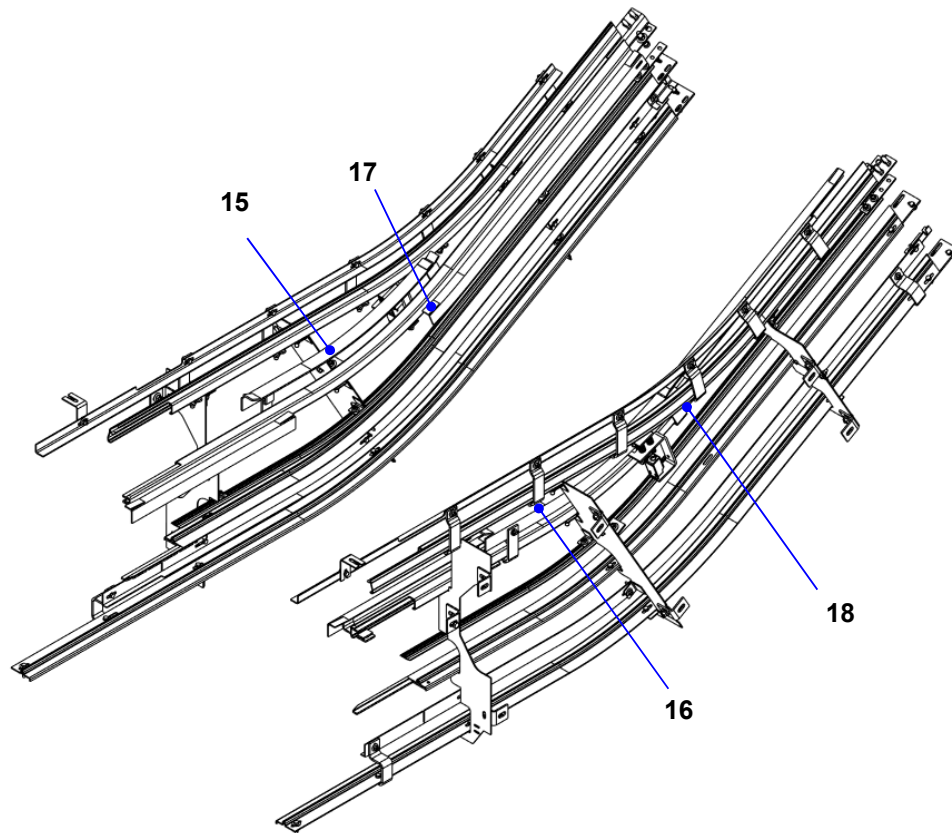


## LOWER LANDING INDOOR

REF. No.	PART No.	DESCRIPTION	
	<b>DBA26131AH</b>		
7	DAA483BAF7	Upthrust track, left & right side	2 FLAT STEP
8	DAA483DW11	Track for step roller, on passenger side, left side	
9	DAA483DW12	Track for step roller, on passenger side, right side	
10	DAA483DV11	Track for step chain roller , on passenger side, left side	
11	DAA483DV12	Track for step chain roller, on passenger side, right side	
12	DAA483TD1	Track, left side	
13	DAA483TD2	Track, right side	
14	DAA483EW1	Track, left & right side	

# 508NCE Escalator Track Lower Landing

**Spare Parts Leaflet  
52-DBA26131AH**

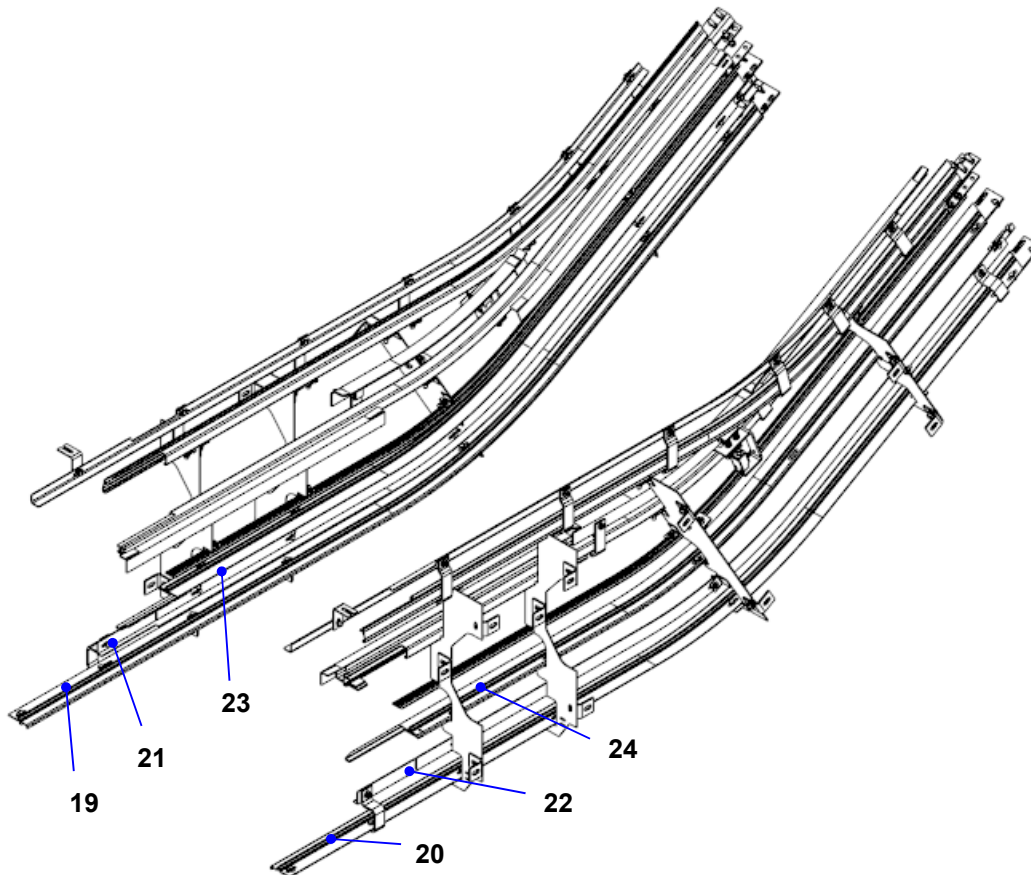


## LOWER LANDING INDOOR

REF. No.	PART No.	DESCRIPTION	
	<b>DBA26131AH</b>		
15	DAA483EP3	Upthrust track, left side	2 & 3 FLAT STEP
16	DAA483EP4	Upthrust track, right side	
17	DAA483ER3	Upthrust track, left side	
18	DAA483ER4	Upthrust track, right side	

# 508NCE Escalator Track Lower Landing

**Spare Parts Leaflet  
52-DBA26131AH**

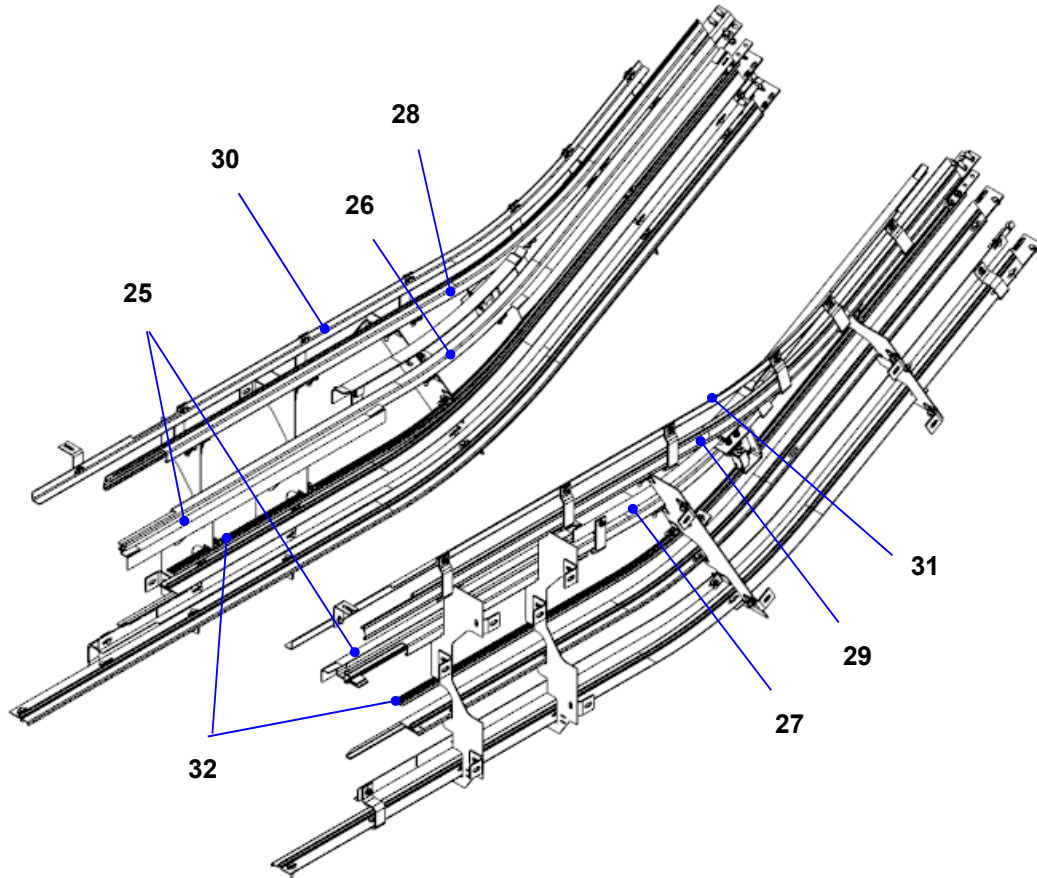


**LOWER LANDING INDOOR**

DBA26131AH			
REF. No.	PART No.	DESCRIPTION	
19	DAA483EM13	Track for step chain roller, on return side, left side	3 FLAT STEP
20	DAA483EM14	Track for step chain roller, on return side, right side	
21	DAA483EN13	Track, left side	
22	DAA483EN14	Track, right side	
23	DAA483EL13	Track for step roller , on return side, left side	
24	DAA483EL14	Track for step roller , on return side, right side	

# 508NCE Escalator Track Lower Landing

**Spare Parts Leaflet  
52-DBA26131AH**



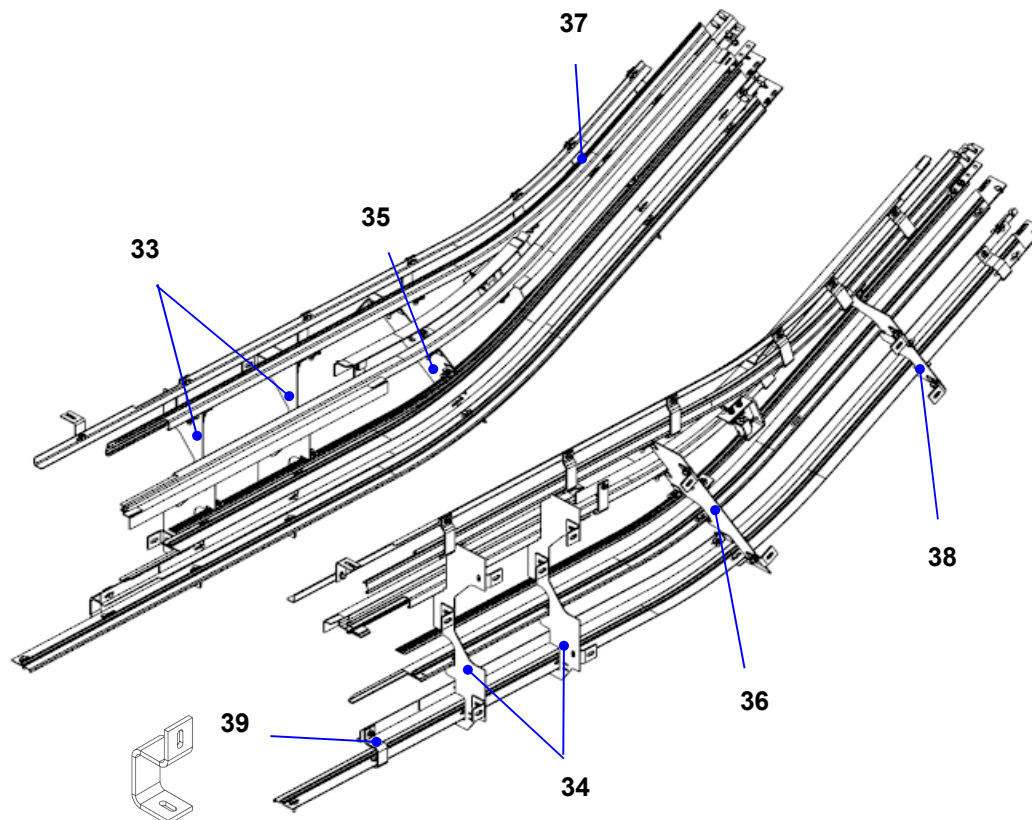
**LOWER LANDING INDOOR**

DBA26131AH		
REF. No.	PART No.	DESCRIPTION
25	DAA483BAF10	Upthrust track, left & right side
26	DAA483DW13	Track for step roller, on passenger side, left side
27	DAA483DW14	Track for step roller, on passenger side, right side
28	DAA483DV13	Track for step chain roller , on passenger side, left side
29	DAA483DV14	Track for step chain roller, on passenger side, right side
30	DAA483TD3	Track, left side
31	DAA483TD4	Track, right side
32	DAA483EW2	Track, left & right side

3 flat steps

# 508NCE Escalator Track Lower Landing

**Spare Parts Leaflet  
52-DBA26131AH**



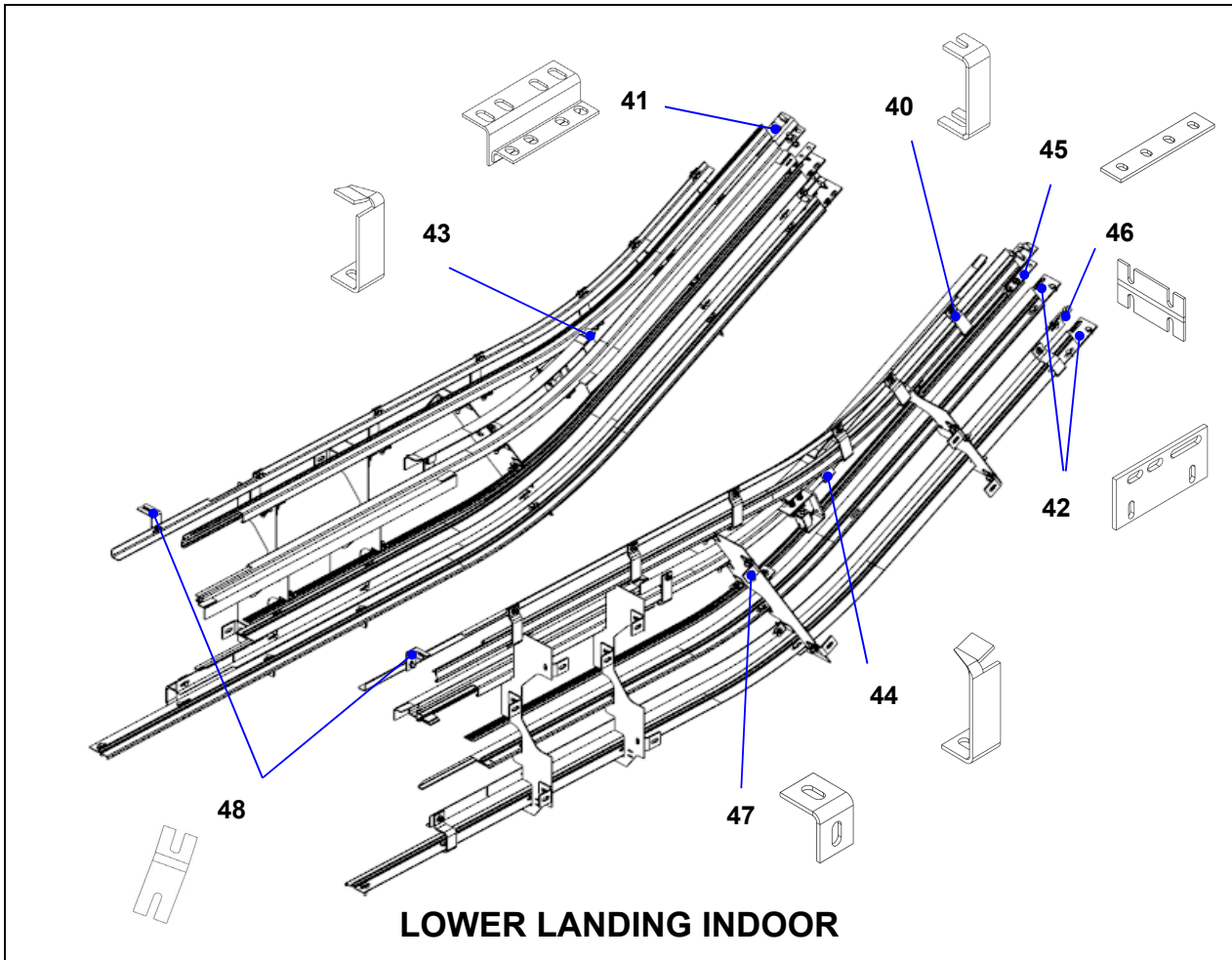
**LOWER LANDING INDOOR**

DBA26131AH		
REF. No.	PART No.	DESCRIPTION
33	DAA318CB1	Bracket, left side
34	DAA318CB2	Bracket, right side
35	DAA318DR1	Bracket, left side
36	DAA318DR2	Bracket, right side
37	DAA318DZ1	Bracket, left side
38	DAA318DZ2	Bracket, right side
39	GAA180AZT1	Holder



# 508NCE Escalator Track Lower Landing

## Spare Parts Leaflet 52-DBA26131AH



DBA26131AH			
REF. No.	PART No.	DESCRIPTION	
40	DAA180AGA1	Holder	
41	GBA283AYY1	Angle	
42	GAA299ATJ1	Bar	
43	GO180AAA1	Holder, left side	
44	GO180AAA2	Holder, right side	
45	GO298WT2	Bar	
46	GAA283BCE1	Angle	
47	DAA283QF1	Bracket	
48	DAA283BJF1	Bracket, indoor	For connecting with floor plate