



**508NCE Escalator  
DBA26131AJ**

**History**

**Leaflet Description**

**508NCE ANSI ESCALATOR TRACK UPPER LANDING, INDOOR**

**Leaflet Revisions**

<b>Date Revised</b>	<b>Subject Matter Expert</b>	<b>Reason for Revision</b>
Apr. 26, 2018	Li Sien	Original document

**Related Drawings**

<b>Drawing No.</b>	<b>Title</b>	<b>Drawing No.</b>	<b>Title</b>
DBA26131AJ	Track upper landing		

**Related Documents**

<b>Document ID</b>	<b>Title</b>
BOM DBA26131AJ	Track upper landing

**Subject Matter Expert**

<b>Name</b>	<b>Department</b>
Liu, Zhaohui	SIT GUANGZHOU

**About Spare Parts Leaflets...**

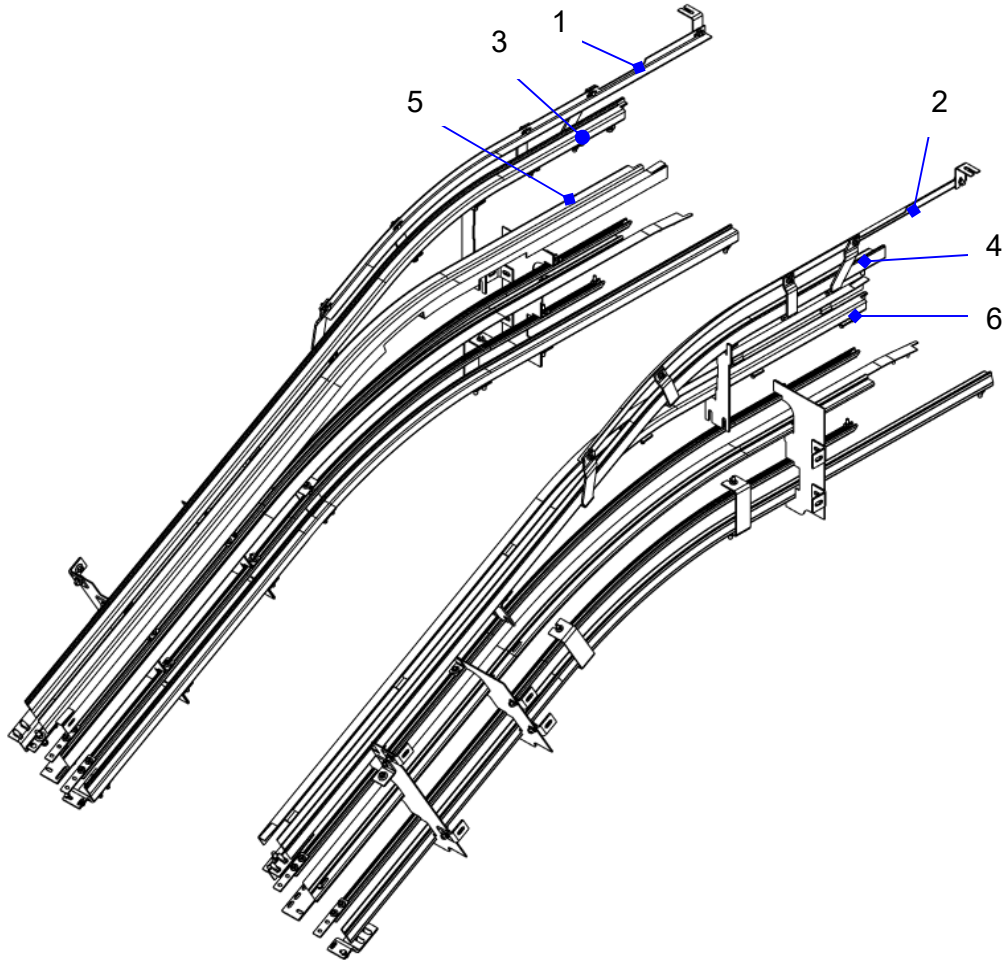
This document lists the lowest replaceable units (LRUs) for the standard version of the product. The LRUs are chosen by a team of Otis associates representing engineering and manufacturing.

While goal of this document is to make parts identification as easy as possible, the document cannot be all-inclusive. Elevator and escalator contracts classified as "special" or "custom" are not addressed here. For such contracts, please refer to specified information, the contract folder, TIPs, Field Education Articles, Construction Letters, etc. for further information.

If you have any suggestions about this document, please contact the subject matter expert listed on this page.

# 508NCE Escalator Track Upper Landing

**Spare Parts Leaflet  
52-DBA26131AJ**

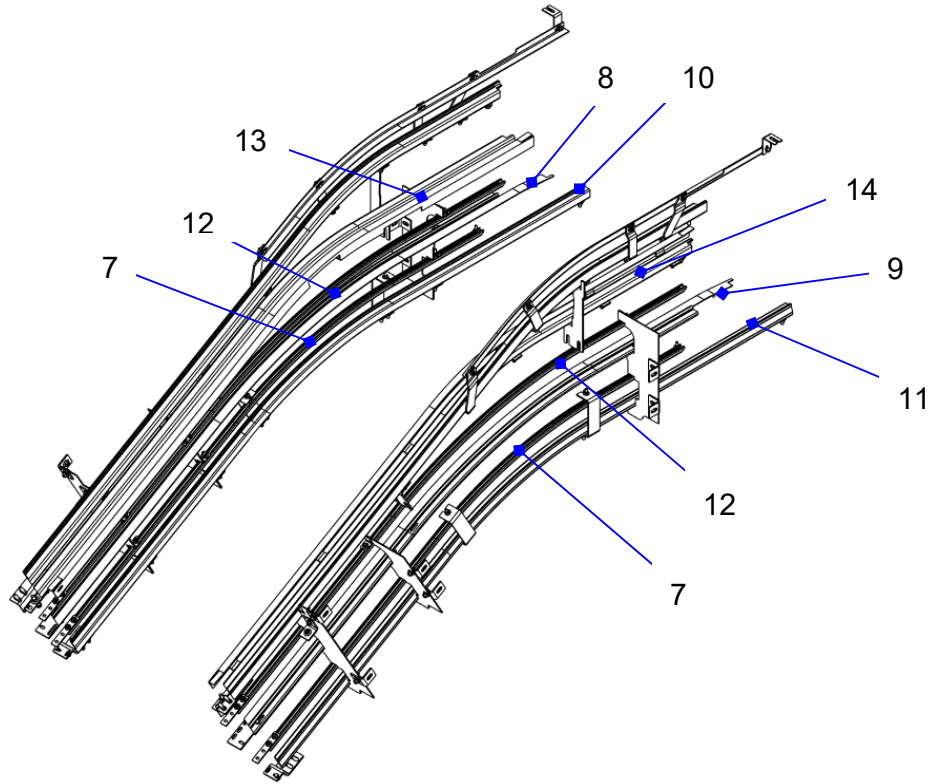


**UPPER LANDING INDOOR**

DBA26131AJ			
REF. No.	PART No.	DESCRIPTION	
1	DAA483TC1	Track, left side	2 FLAT STEP
2	DAA483TC2	Track, right side	
3	DAA483DZ11	Track for step chain roller, on passenger side, left side	
4	DAA483DZ12	Track for step chain roller, on passenger side, right side	
5	DAA483EA11	Track for step roller , on passenger side, left side	
6	DAA483EA12	Track for step roller , on passenger side, right side	

# 508NCE Escalator Track Upper Landing

## Spare Parts Leaflet 52-DBA26131AJ

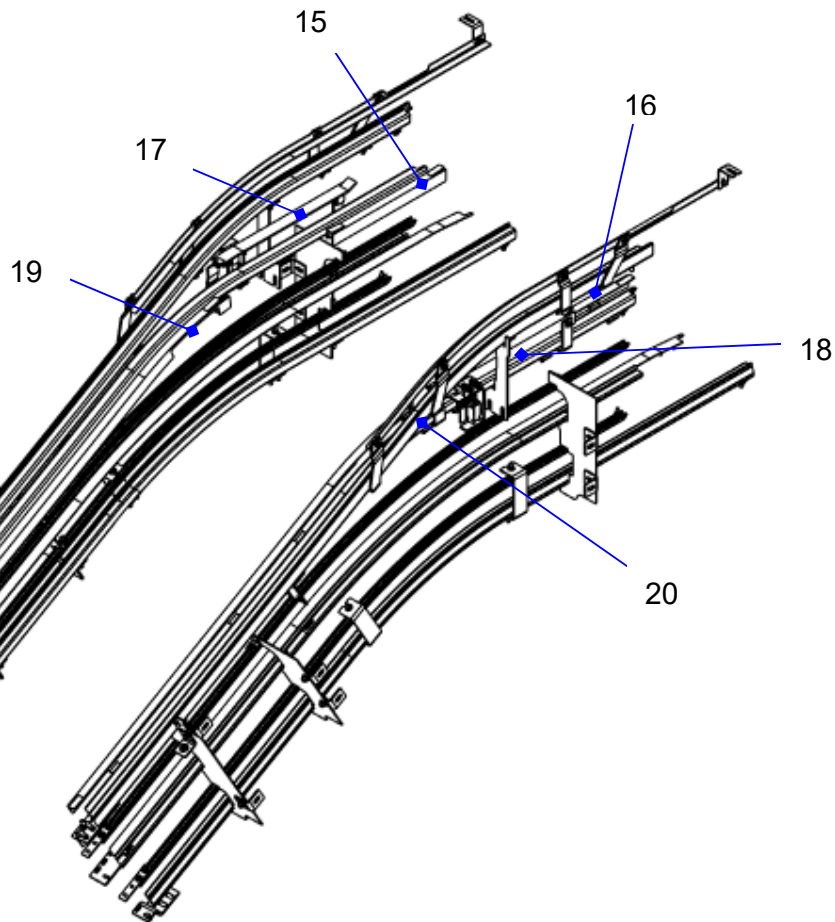


**UPPER LANDING INDOOR**

DBA26131AJ			
REF. No.	PART No.	DESCRIPTION	
7	DAA483ED3	Track, left & right side	2 FLAT STEP
8	DAA483EB7	Track for step roller, on return side, left side	
9	DAA483EB8	Track for step roller, on return side, right side	
10	DAA483EC7	Track for step chain roller, on return side, left side	
11	DAA483EC8	Track for step chain roller, on return side, right side	
12	DAA483EX1	Track, left & right side	
13	DAA483ES11	Upthrust track, left side, without step upthrust device	
14	DAA483ES12	Upthrust track, right side, without step upthrust device	

# 508NCE Escalator Track Upper Landing

**Spare Parts Leaflet  
52-DBA26131AJ**



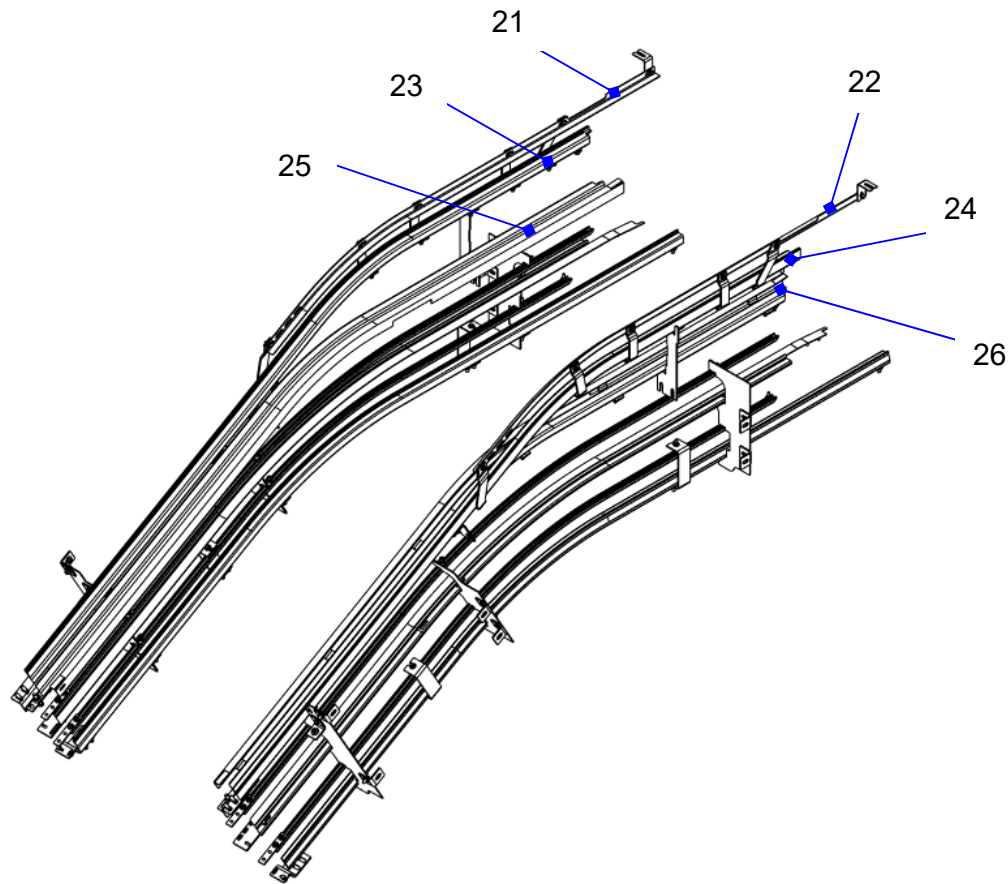
## UPPER LANDING INDOOR, WITH STEP UPTHRUST DEVICE

DBA26131AJ		
REF. No.	PART No.	DESCRIPTION
15	DAA483FM1	Upthrust track, left side
16	DAA483FM2	Upthrust track, right side
17	DAA483FN3	Step upthrust track assembly, left side
18	DAA483FN4	Step upthrust track assembly, right side
19	DAA483FK1	Upthrust track, left side
20	DAA483FK2	Upthrust track, right side

2 FLAT STEP

# 508NCE Escalator Track Upper Landing

**Spare Parts Leaflet  
52-DBA26131AJ**

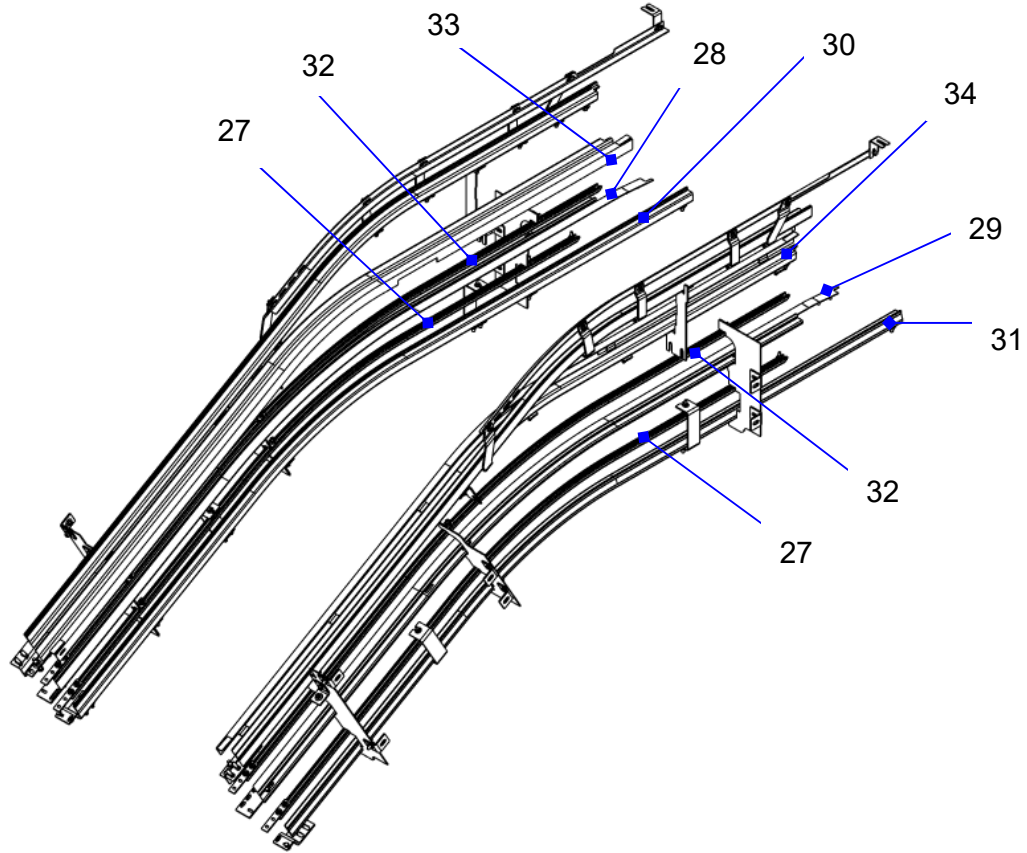


## UPPER LANDING INDOOR

DBA26131AJ			
REF. No.	PART No.	DESCRIPTION	
21	DAA483TC3	Track, left side	3 FLAT STEP
22	DAA483TC4	Track, right side	
23	DAA483DZ13	Track for step chain roller, on passenger side, left side	
24	DAA483DZ14	Track for step chain roller, on passenger side, right side	
25	DAA483EA13	Track for step roller , on passenger side, left side	
26	DAA483EA14	Track for step roller , on passenger side, right side	

# 508NCE Escalator Track Upper Landing

## Spare Parts Leaflet 52-DBA26131AJ

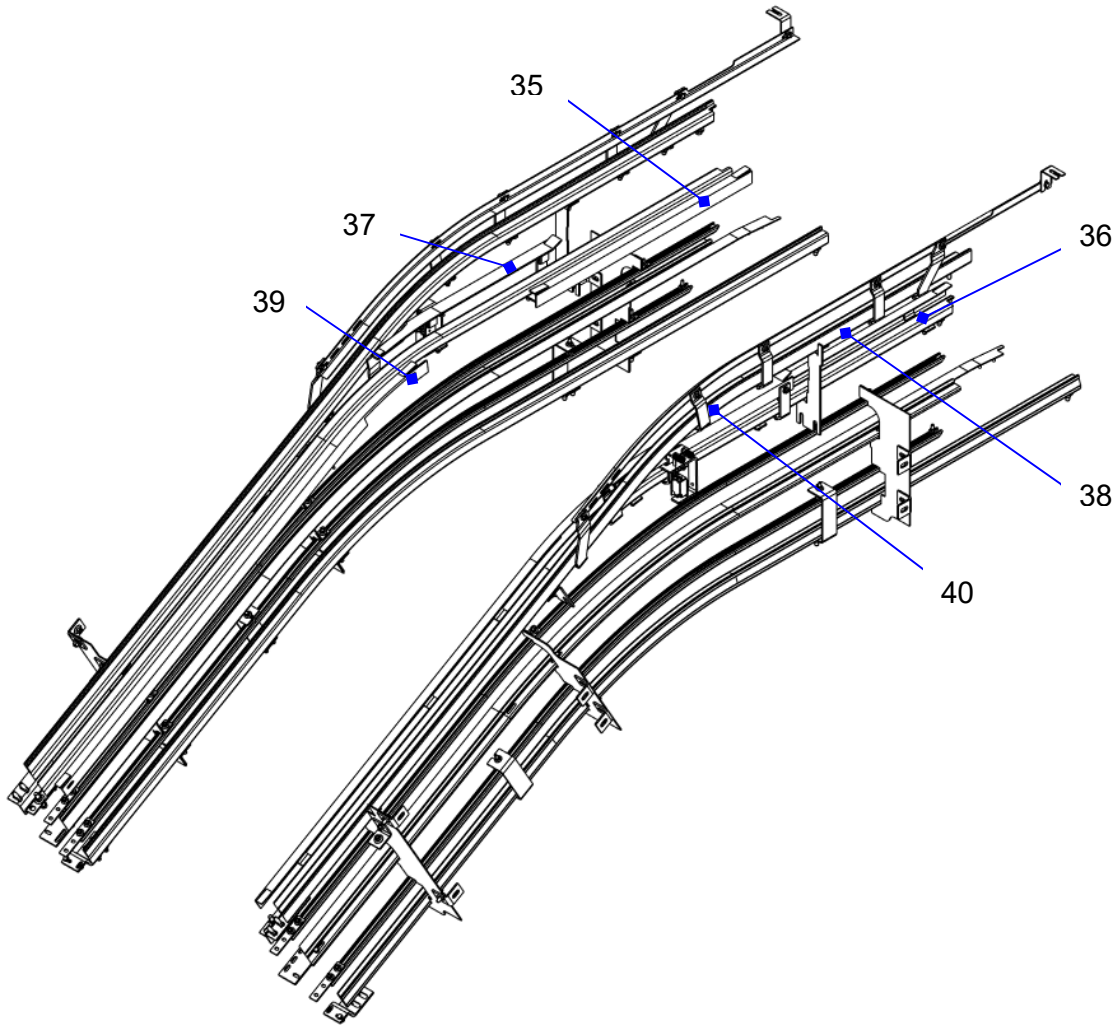


### UPPER LANDING INDOOR

DBA26131AJ			
REF. No.	PART No.	DESCRIPTION	
27	DAA483ED4	Track, left & right side	3 FLAT STEP
28	DAA483EB9	Track for step roller, on return side, left side	
29	DAA483EB10	Track for step roller, on return side, right side	
30	DAA483EC9	Track for step chain roller, on return side, left side	
31	DAA483EC10	Track for step chain roller , on return side, right side	
32	DAA483EX2	Track, left & right side	
33	DAA483ES13	Upthrust track, left side, without step upthrust device	
34	DAA483ES14	Upthrust track, right side, without step upthrust device	

# 508NCE Escalator Track Upper Landing

## Spare Parts Leaflet 52-DBA26131AJ



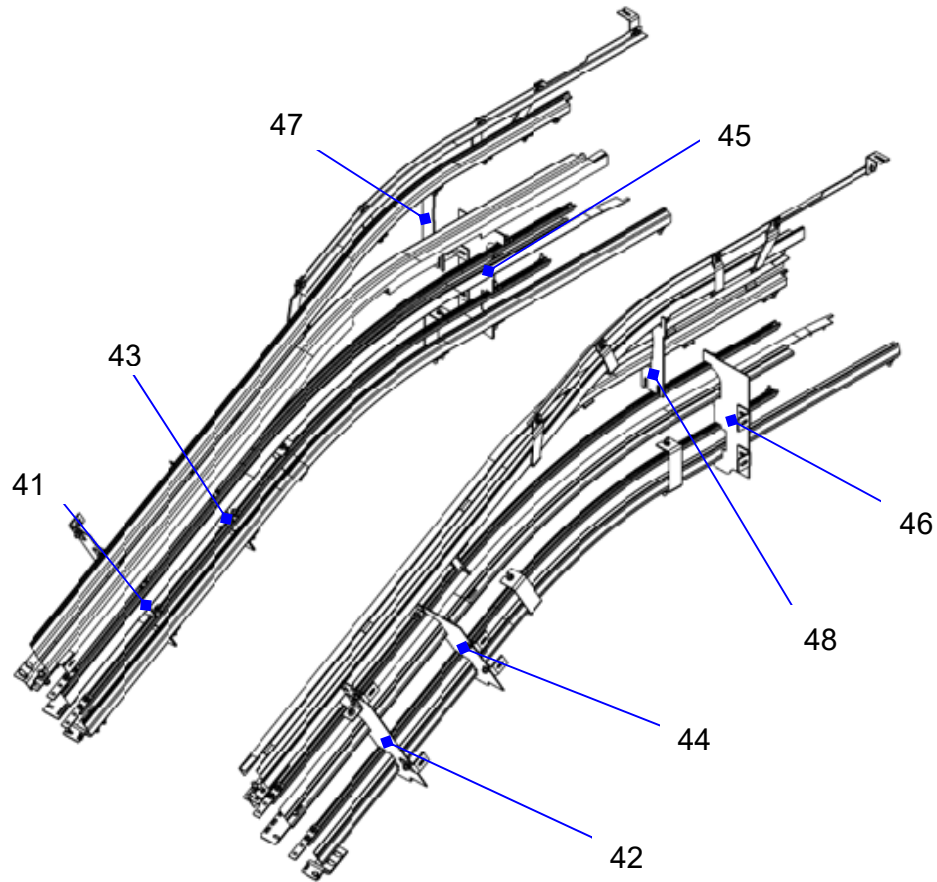
**UPPER LANDING INDOOR, WITH STEP UPTHRUST DEVICE**

DBA26131AJ			
REF. No.	PART No.	DESCRIPTION	
35	DAA483FM1	Upthrust track, left side	3 FLAT STEP
36	DAA483FM2	Upthrust track, right side	
37	DAA483FN1	Step upthrust track assembly, left side	
38	DAA483FN2	Step upthrust track assembly, right side	
39	DAA483FK1	Upthrust track, left side	
40	DAA483FK2	Upthrust track, right side	



# 508NCE Escalator Track Upper Landing

**Spare Parts Leaflet**  
**52-DBA26131AJ**

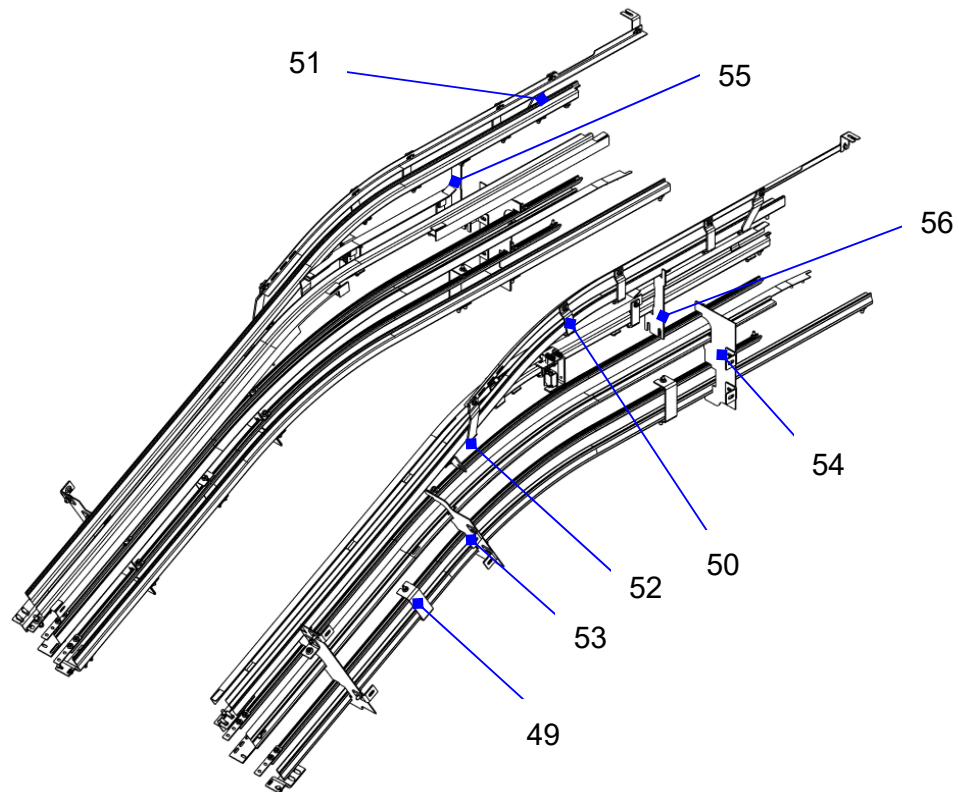


## UPPER LANDING INDOOR

DBA26131AJ		
REF. No.	PART No.	DESCRIPTION
41	DAA318CM1	Bracket, left side, for both 2 & 3 flat steps
42	DAA318CM2	Bracket, right side, for both 2 & 3 flat steps
43	DAA318CE3	Bracket, left side, only for 2 flat steps
44	DAA318CE4	Bracket, right side, only for 2 flat steps
45	DAA318CA7	Bracket, left side, for both 2 & 3 flat steps
46	DAA318CA8	Bracket, right side, for both 2 & 3 flat steps
47	DAA318CN1	Bracket, left side, only for 2 flat steps
48	DAA318CN2	Bracket, right side, only for 2 flat steps

# 508NCE Escalator Track Upper Landing

**Spare Parts Leaflet  
52-DBA26131AJ**

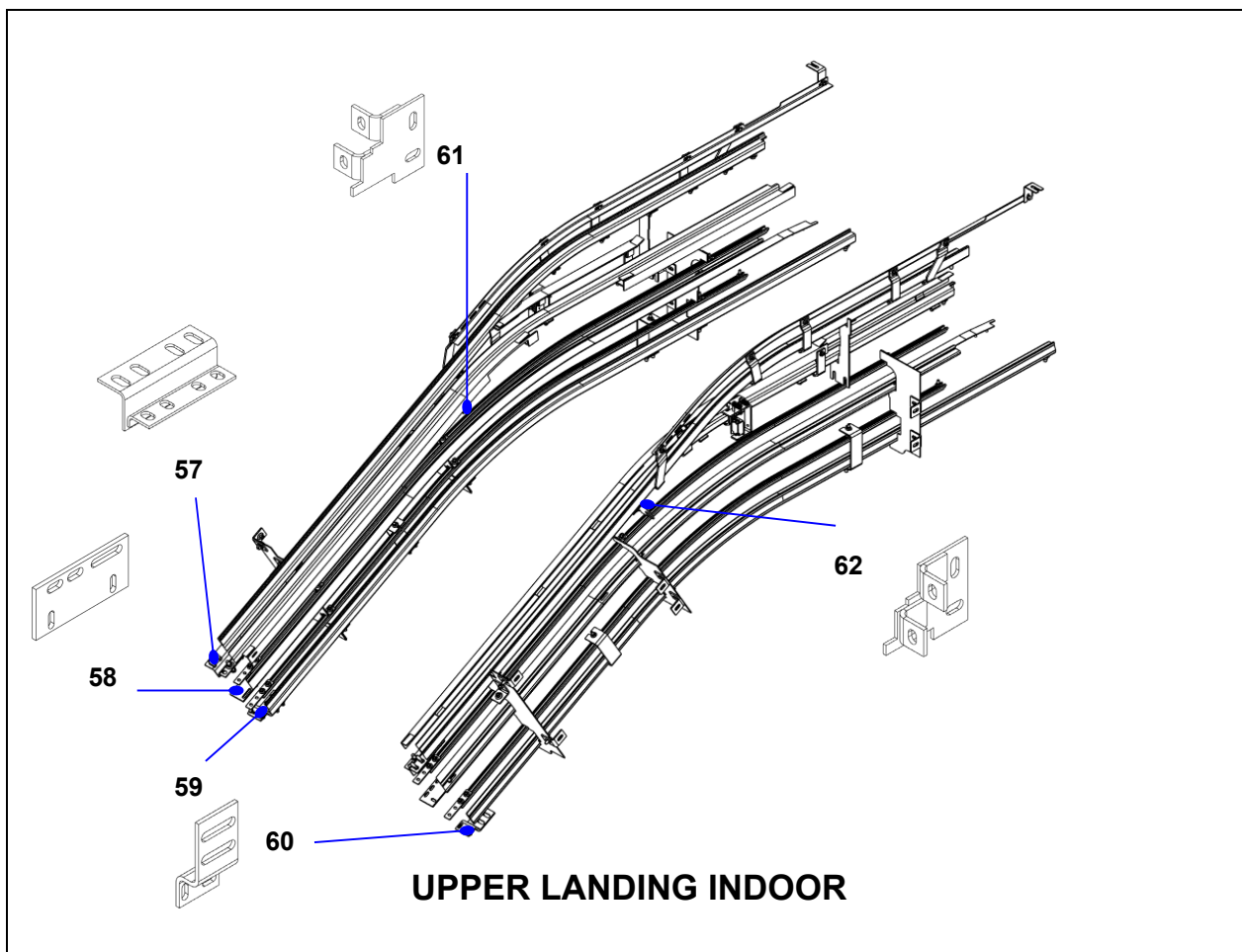


**UPPER LANDING INDOOR**

DBA26131AJ		
REF. No.	PART No.	DESCRIPTION
49	GO318CB6	Bracket, for both 2 & 3 flat steps
50	DAA180AGA1	Bracket, for both 2 & 3 flat steps
51	DAA180AGA3	Bracket, for both 2 & 3 flat steps
52	DAA180AGA4	Bracket, for both 2 & 3 flat steps
53	DAA318CA9	Bracket, left side, only for 3 flat steps
54	DAA318CA10	Bracket, right side, only for 3 flat steps
55	DAA318CN3	Bracket, left side, only for 3 flat steps
56	DAA318CN4	Bracket, right side, only for 3 flat steps

# 508NCE Escalator Track Upper Landing

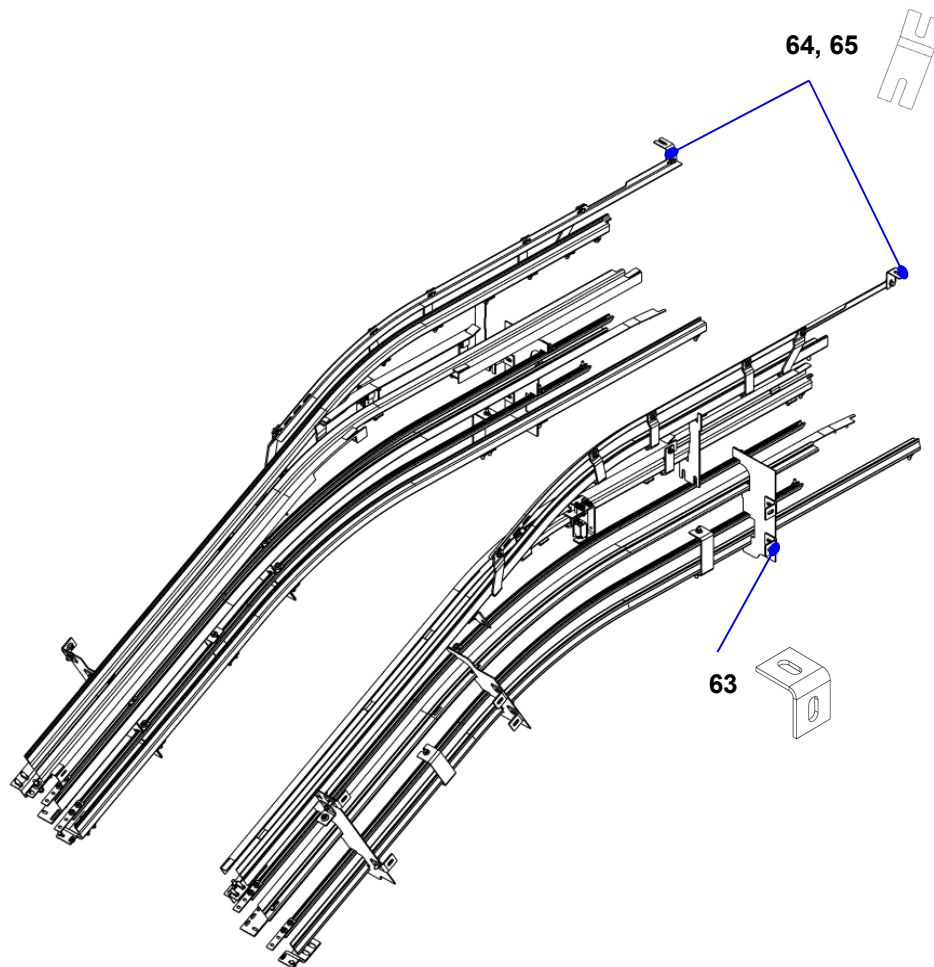
**Spare Parts Leaflet**  
**52-DBA26131AJ**



DBA26131AJ		
REF. No.	PART No.	DESCRIPTION
57	GBA283AYY1	Angle, for both 2 & 3 flat steps
58	GAA299ATJ1	Bar, for both 2 & 3 flat steps
59	GAA180AZS1	Holder, for both 2 & 3 flat steps
60	GAA180AZS2	Holder, for both 2 & 3 flat steps
61	DAA283XP3	Bracket, left side, for both 2 & 3 flat steps
62	DAA283XP4	Bracket, right side, for both 2 & 3 flat steps

# 508NCE Escalator Track Upper Landing

## Spare Parts Leaflet 52-DBA26131AJ



### UPPER LANDING INDOOR

	DBA26131AJ	
REF. No.	PART No.	DESCRIPTION
63	DAA283QF1	Bracket
64	DAA283BJF1	Bracket, indoor. For connecting with floor plate