



**508NCE Escalator  
DBA26131AM**

**History**

**Leaflet Description**

**508NCE ANSI ESCALATOR TRACK UPPER LANDING, OUTDOOR**

**Leaflet Revisions**

<b>Date Revised</b>	<b>Subject Matter Expert</b>	<b>Reason for Revision</b>
May. 02, 2018	Li, Sien	Original document

**Related Drawings**

<b>Drawing No.</b>	<b>Title</b>	<b>Drawing No.</b>	<b>Title</b>
DBA26131AM	Track upper landing		

**Related Documents**

<b>Document ID</b>	<b>Title</b>
BOM DBA26131AM	Track upper landing

**Subject Matter Expert**

<b>Name</b>	<b>Department</b>
Liu, Zhaohui	SIT GUANGZHOU

**About Spare Parts Leaflets...**

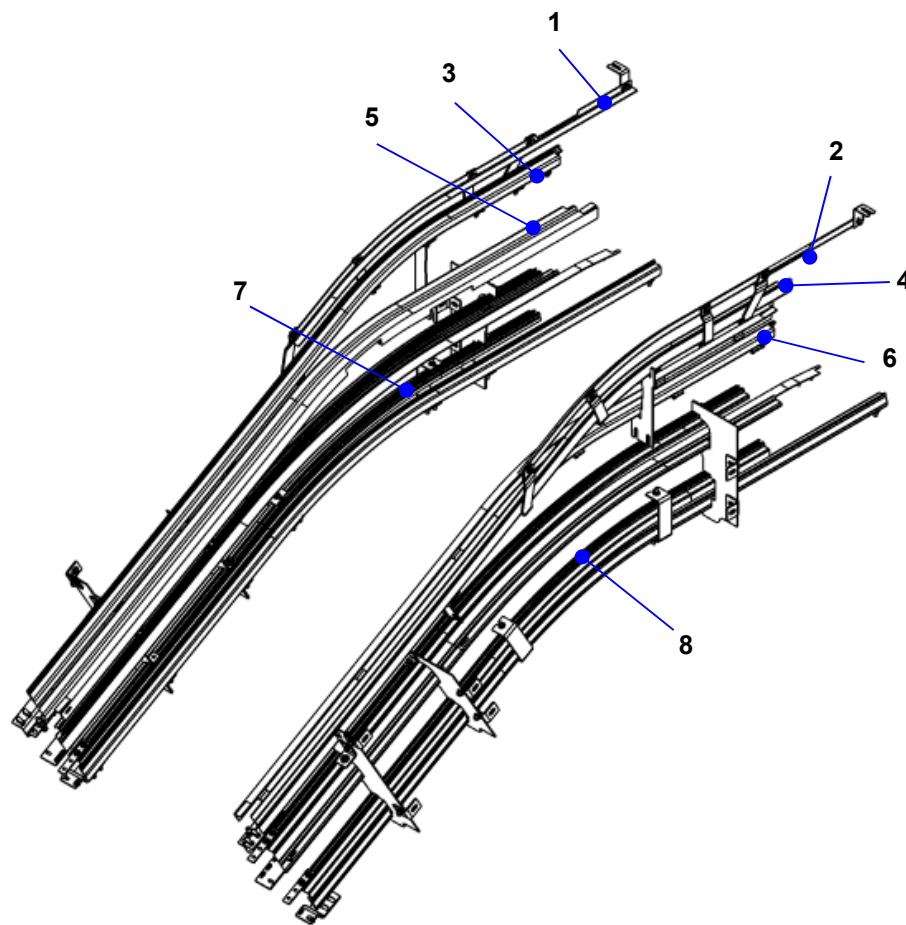
This document lists the lowest replaceable units (LRUs) for the standard version of the product. The LRUs are chosen by a team of Otis associates representing engineering and manufacturing.

While goal of this document is to make parts identification as easy as possible, the document cannot be all-inclusive. Elevator and escalator contracts classified as "special" or "custom" are not addressed here. For such contracts, please refer to specified information, the contract folder, TIPs, Field Education Articles, Construction Letters, etc. for further information.

If you have any suggestions about this document, please contact the subject matter expert listed on this page.

# 508NCE Escalator Track Upper Landing

**Spare Parts Leaflet  
52-DBA26131AM**

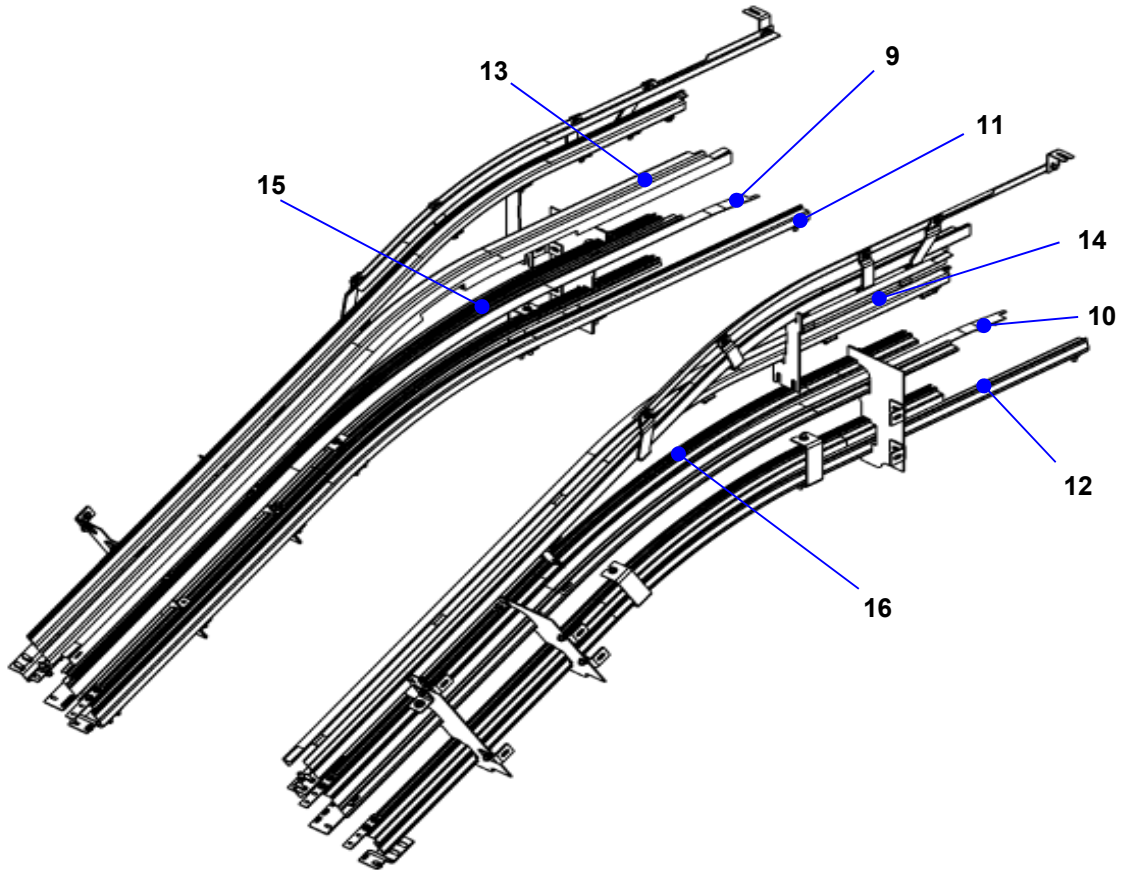


**UPPER LANDING OUTDOOR**

REF. No.	PART No.	DESCRIPTION	
	<b>DBA26131AM</b>		
1	DAA483TC101	Track, left side	2 FLAT STEP
2	DAA483TC102	Track, right side	
3	DAA483DZ111	Track for step chain roller, on passenger side, left side	
4	DAA483DZ112	Track for step chain roller, on passenger side, right side	
5	DAA483EA111	Track for step roller , on passenger side, left side	
6	DAA483EA112	Track for step roller , on passenger side, right side	
7	DAA483FH1	Track with cover, left side	
8	DAA483FH2	Track with cover, right side	

# 508NCE Escalator Track Upper Landing

## Spare Parts Leaflet 52-DBA26131AM

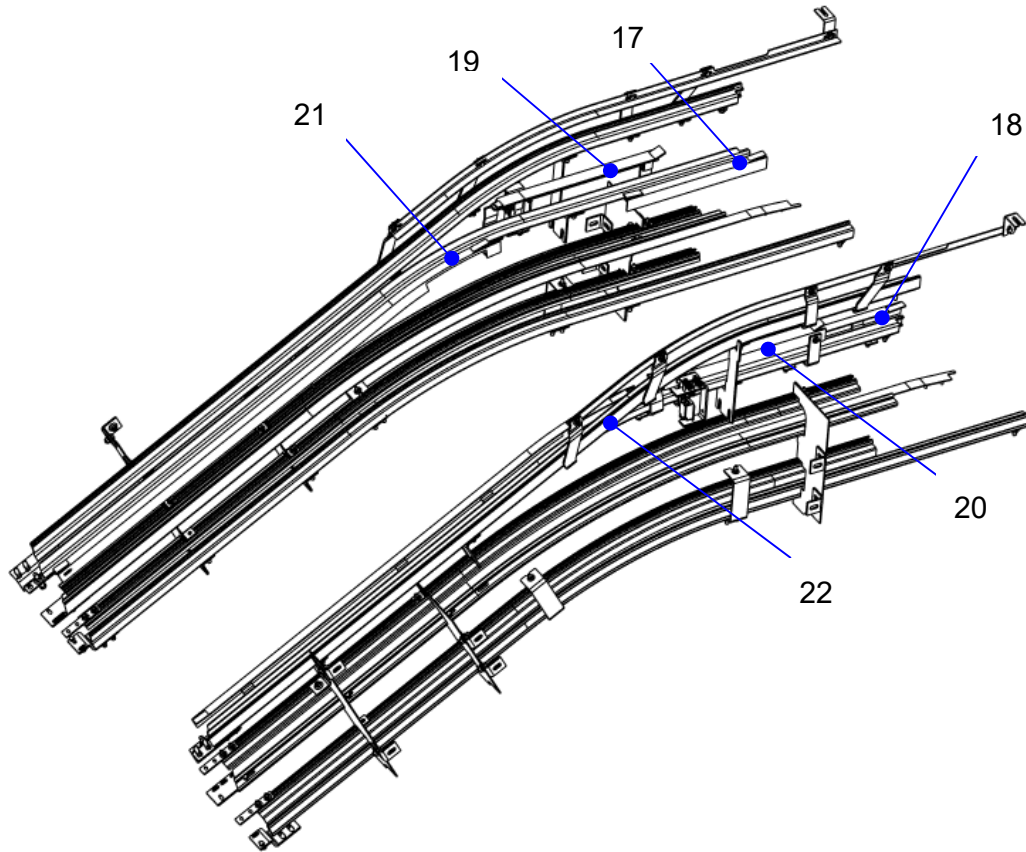


**UPPER LANDING OUTDOOR**

DBA26131AM			
REF. No.	PART No.	DESCRIPTION	
9	DAA483EB107	Track for step roller, on return side, left side	2 FLAT STEP
10	DAA483EB108	Track for step roller, on return side, right side	
11	DAA483EC107	Track for step chain roller, on return side, left side	
12	DAA483EC108	Track for step chain roller , on return side, right side	
13	DAA483ES111	Upthrust track, left side	
14	DAA483ES112	Upthrust track, right side	
15	DAA483FY1	Track for step roller, on return side, left side, with cover	
16	DAA483FY2	Track for step roller, on return side, right side, with cover	

# 508NCE Escalator Track Upper Landing

**Spare Parts Leaflet  
52-DBA26131AM**

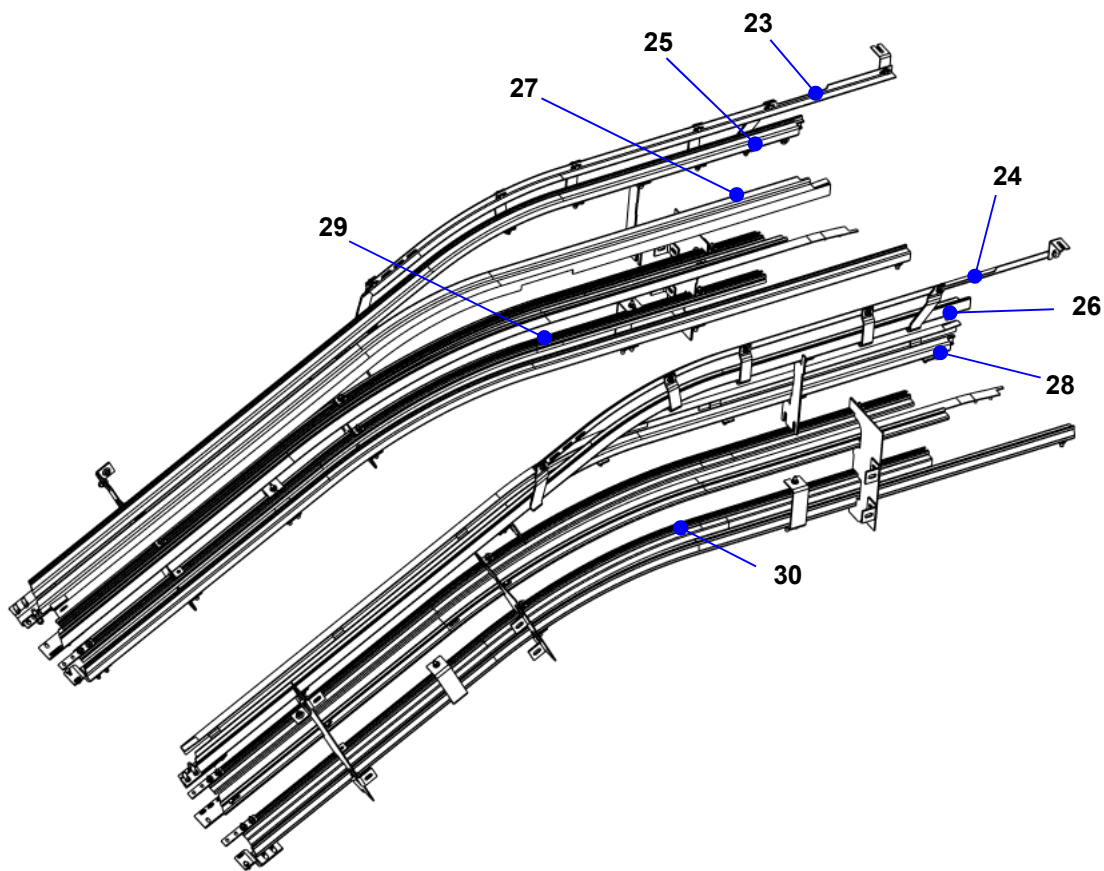


**UPPER LANDING OUTDOOR, WITH STEP UPTHURST DEVICE**

DBA26131AM			
REF. No.	PART No.	DESCRIPTION	
17	DAA483FM101	Upthrust track, left side	2 FLAT STEP
18	DAA483FM102	Upthrust track, right side	
19	DAA483FN103	Step upthrust track assembly, left side	
20	DAA483FN104	Step upthrust track assembly, right side	
21	DAA483FK101	Upthrust track, left side	
22	DAA483FK102	Upthrust track, right side	

# 508NCE Escalator Track Upper Landing

## Spare Parts Leaflet 52-DBA26131AM

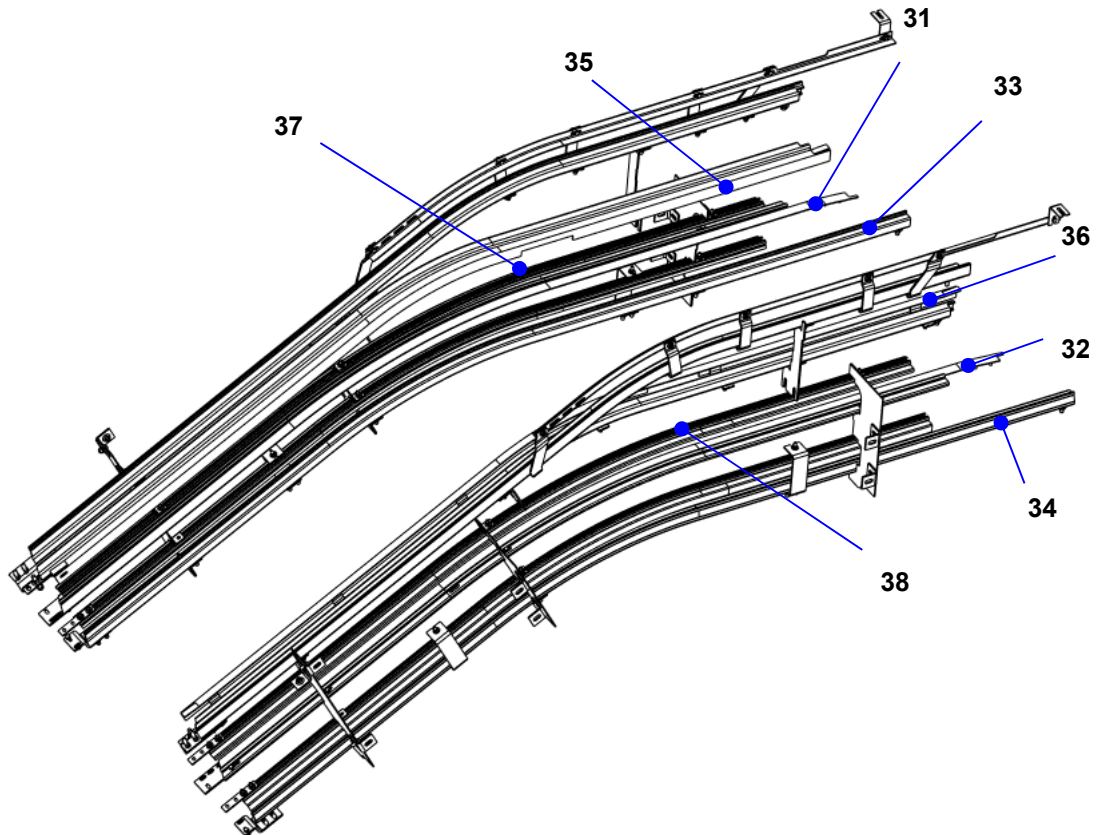


**UPPER LANDING OUTDOOR**

DBA26131AM			
REF. No.	PART No.	DESCRIPTION	
23	DAA483TC103	Track, left side	3 FLAT STEP
24	DAA483TC104	Track, right side	
25	DAA483DZ113	Track for step chain roller, on passenger side, left side	
26	DAA483DZ114	Track for step chain roller, on passenger side, right side	
27	DAA483EA113	Track for step roller , on passenger side, left side	
28	DAA483EA114	Track for step roller , on passenger side, right side	
29	DAA483FH3	Track with cover, left side	
30	DAA483FH4	Track with cover, right side	

# 508NCE Escalator Track Upper Landing

## Spare Parts Leaflet 52-DBA26131AM

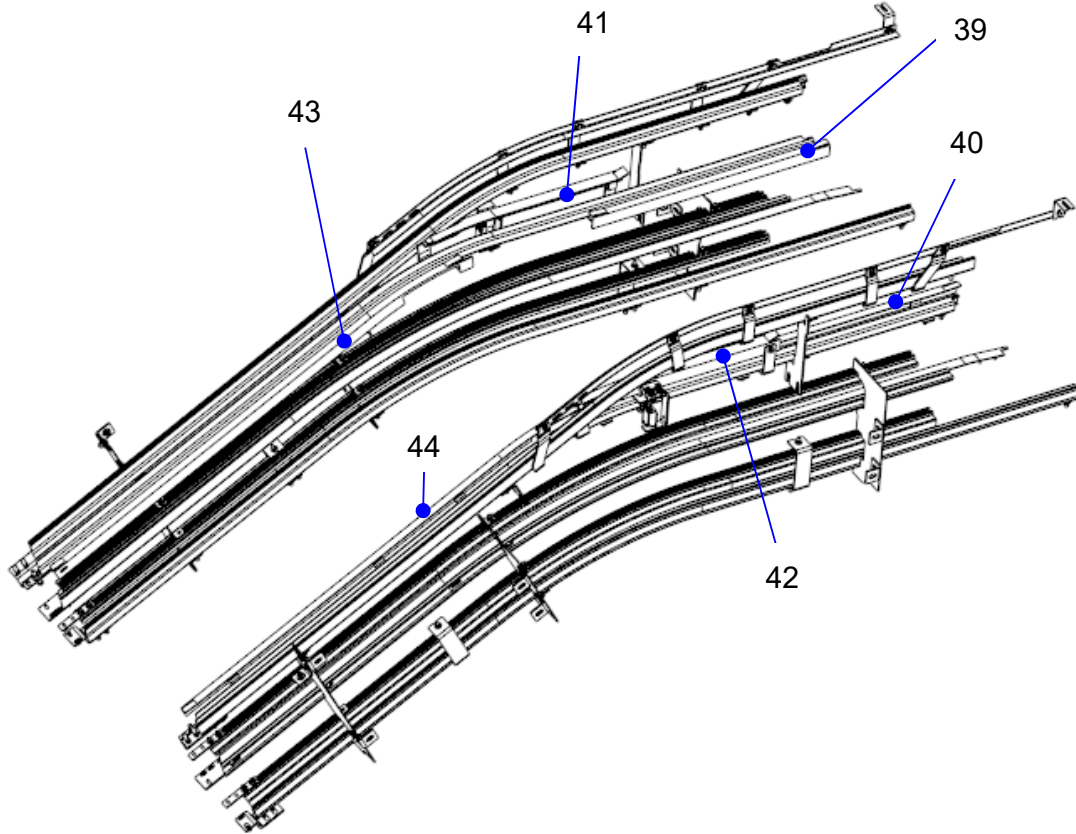


### UPPER LANDING OUTDOOR

DBA26131AM			
REF. No.	PART No.	DESCRIPTION	
31	DAA483EB109	Track for step roller, on return side, left side	3 flat steps
32	DAA483EB110	Track for step roller, on return side, right side	
33	DAA483EC109	Track for step chain roller, on return side, left side	
34	DAA483EC110	Track for step chain roller , on return side, right side	
35	DAA483ES113	Upthrust track, left side	
36	DAA483ES114	Upthrust track, right side	
37	DAA483FY3	Track for step roller, on return side, left side, with cover	
38	DAA483FY4	Track for step roller, on return side, right side, with cover	

# 508NCE Escalator Track Upper Landing

**Spare Parts Leaflet**  
**52-DBA26131AM**



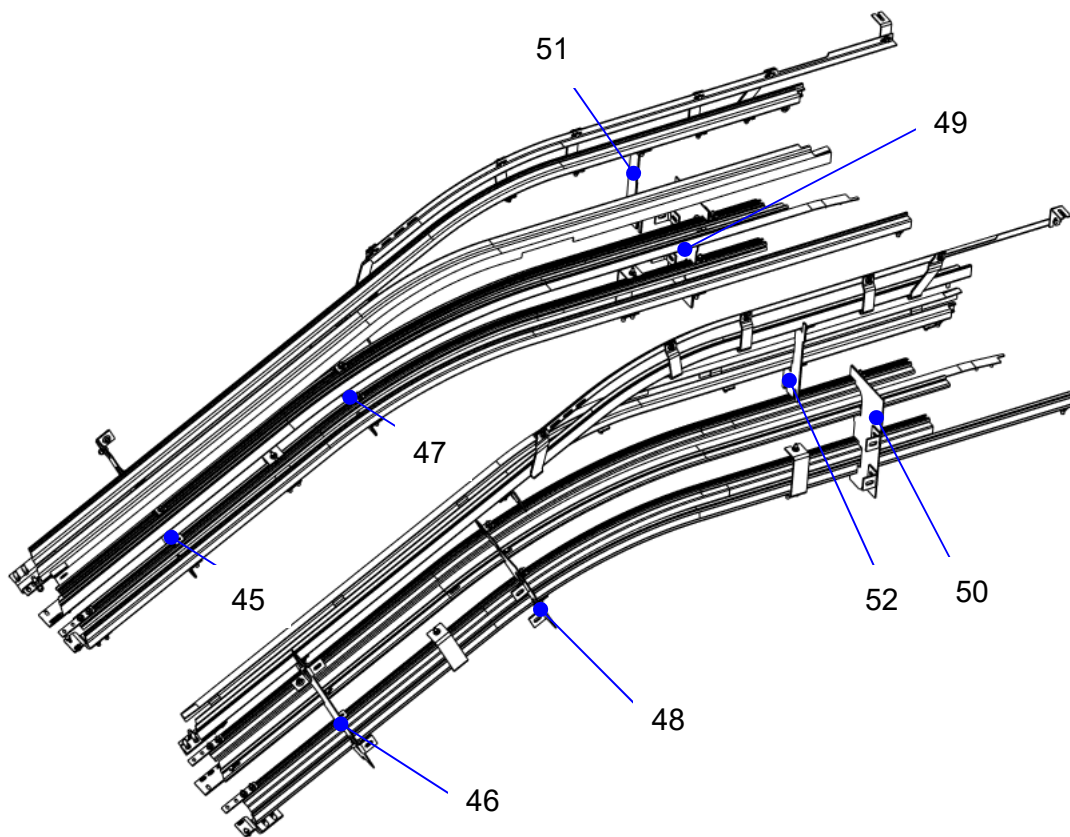
**UPPER LANDING OUTDOOR, WITH STEP UPTHRUST DEVICE**

DBA26131AM			
REF. No.	PART No.	DESCRIPTION	
39	DAA 483ES113	Upthrust track, left side	3 FLAT STEP
40	DAA 483ES114	Upthrust track, right side	
41	DAA483FN101	Step upthrust track assembly, left side	
42	DAA483FN102	Step upthrust track assembly, right side	
43	DAA483FK101	Upthrust track, left side	
44	DAA483FK102	Upthrust track, right side	



# 508NCE Escalator Track Upper Landing

**Spare Parts Leaflet  
52-DBA26131AM**

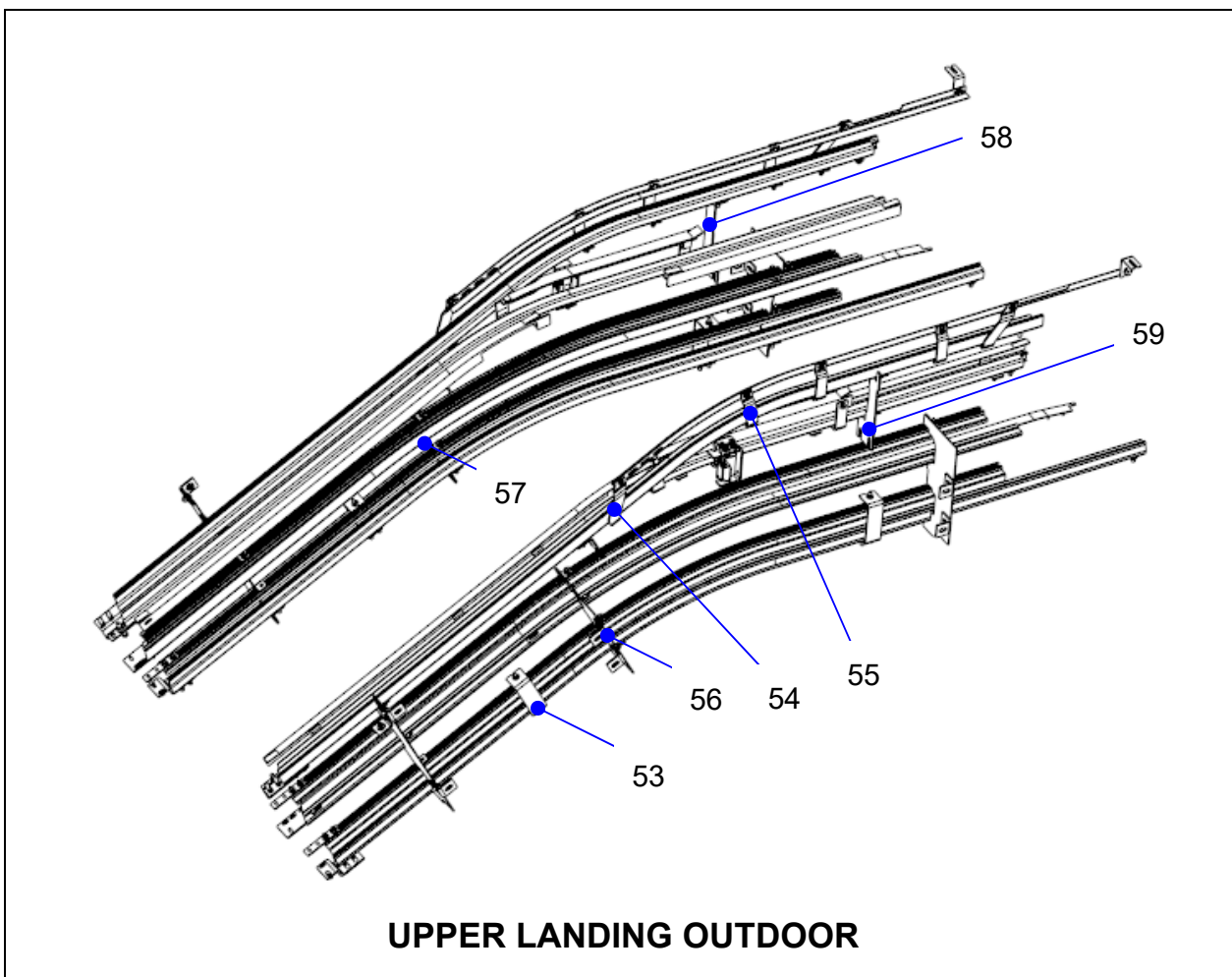


**UPPER LANDING OUTDOOR**

DBA26131AM		
REF. No.	PART No.	DESCRIPTION
45	DAA318CM1	Bracket, left side, for both 2 & 3 flat steps
46	DAA318CM2	Bracket, right side, for both 2 & 3 flat steps
47	DAA318CE5	Bracket, left side, only for 2 flat steps
48	DAA318CE6	Bracket, right side, only for 2 flat steps
49	DAA318CA107	Bracket, left side, for both 2 & 3 flat steps
50	DAA318CA108	Bracket, right side, for both 2 & 3 flat steps
51	DAA318CN101	Bracket, left side, only for 2 flat steps
52	DAA318CN102	Bracket, right side, only for 2 flat steps

# 508NCE Escalator Track Upper Landing

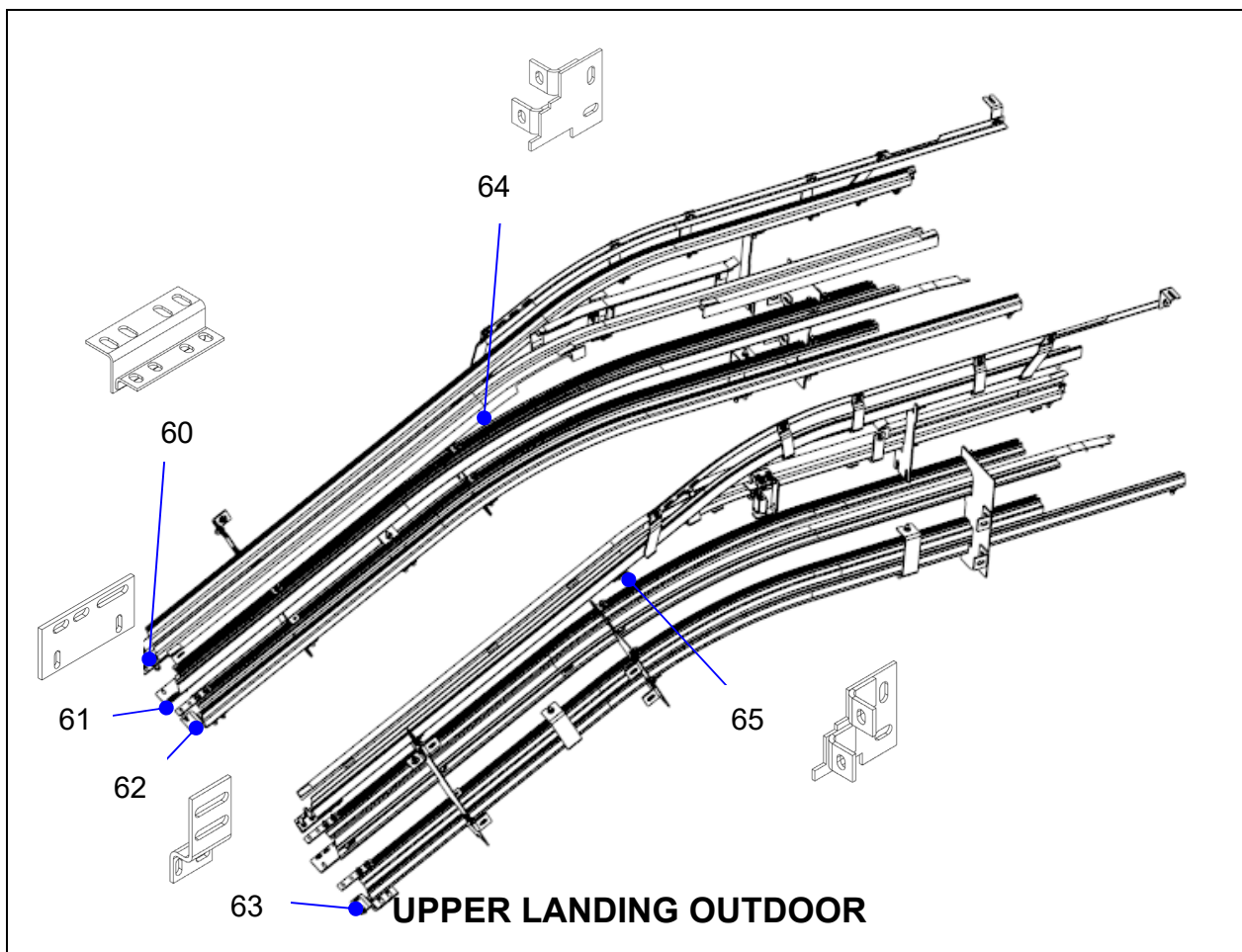
## Spare Parts Leaflet 52-DBA26131AM



<b>DBA26131AM</b>		
<b>REF. No.</b>	<b>PART No.</b>	<b>DESCRIPTION</b>
53	GO318CB6	Bracket, for both 2 & 3 flat steps
54	DAA180AGA103	Bracket, for both 2 & 3 flat steps
55	DAA180AGA101	Bracket, for both 2 & 3 flat steps
56	DAA318CA109	Bracket, left side, only for 3 flat steps
57	DAA318CA110	Bracket, right side, only for 3 flat steps
58	DAA318CN103	Bracket, left side, only for 3 flat steps
59	DAA318CN104	Bracket, right side, only for 3 flat steps

# 508NCE Escalator Track Upper Landing

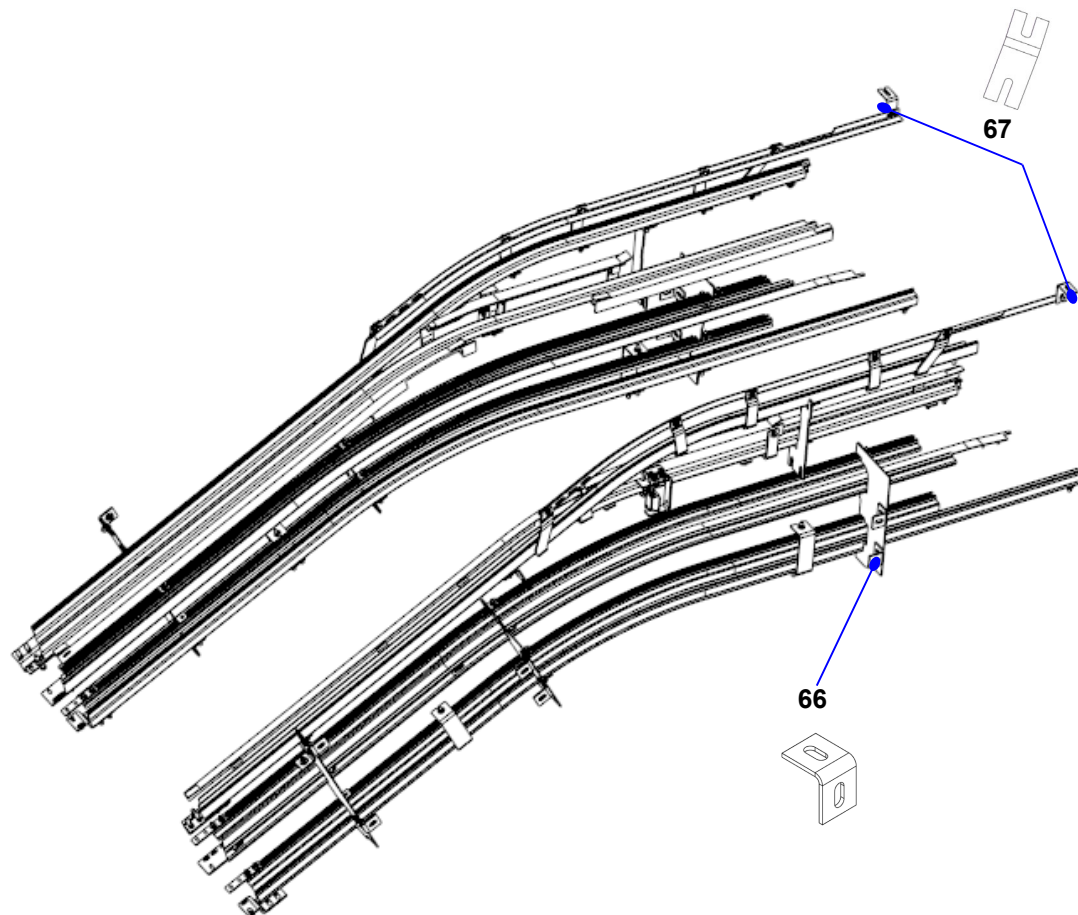
**Spare Parts Leaflet**  
**52-DBA26131AM**



DBA26131AM		
REF. No.	PART No.	DESCRIPTION
60	GBA283AYY1	Angle, for both 2 & 3 flat steps
61	GAA299ATJ1	Bar, for both 2 & 3 flat steps
62	GAA180AZS1	Holder, for both 2 & 3 flat steps
63	GAA180AZS2	Holder, for both 2 & 3 flat steps
64	DAA283XP3	Bracket, left side, only for 2 & 3 flat steps
65	DAA283XP4	Bracket, right side, only for 2 & 3 flat steps

# 508NCE Escalator Track Upper Landing

## Spare Parts Leaflet 52-DAA26131AJ



### UPPER LANDING OUTDOOR

REF. No.	PART No.	DESCRIPTION	
	DBA26131AM		
66	DAA283QF1	Bracket	
67	DAA283BJF101	Bracket, outdoor	For connecting with floor plate