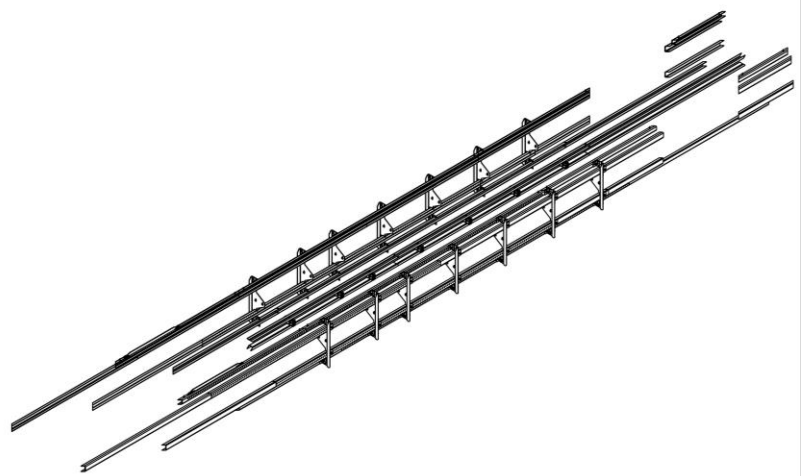
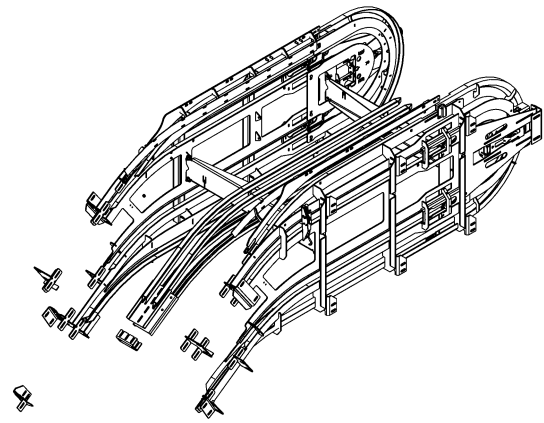
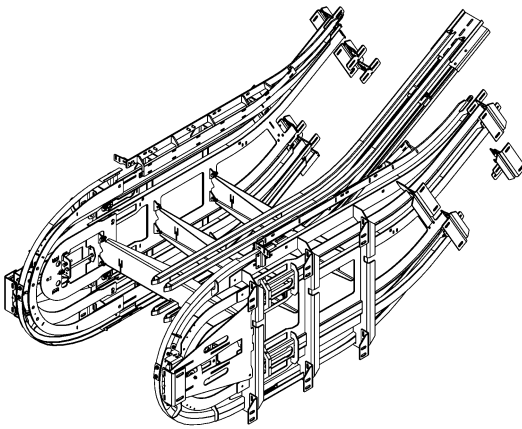
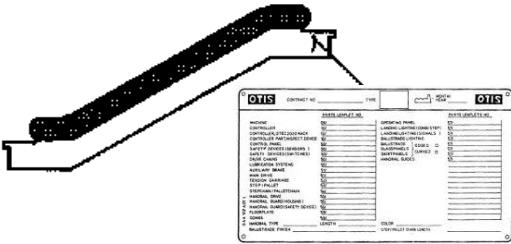


NextStep® Escalator TRACK SYSTEM

Spare Parts Leaflet

52-GAA26131AY

Dec. 12, 2007 / Page 1 of 11



OTIS

Safety First!

ESCALATOR ENGINEERING
Otis Elevator Company
SIT-GZ, Guangzhou China

NextStep[®] Escalator

52-GAA26131AY

History

Leaflet Description

NSE Track System

Leaflet Revisions

Date Revised	Subject Matter Expert	Reason for Revision
Dec. 12, 2007	Xu, Yaoji	New release.

Related Drawings

Drawing No.	Title	Drawing No.	Title
GAA26131AY	Track System		
GAA26131AZ	Track System		

Related Documents

Document ID	Title
BOM GAA26131AY	Track System
BOM GAA26131AZ	Track System

Subject Matter Expert

Name	Department
Xu, Yaoji	SIT-GZ

About Spare Parts Leaflets...

This document lists the lowest replaceable units (LRUs) for the standard version of the product. The LRUs are chosen by a team of Otis associates representing engineering and manufacturing.

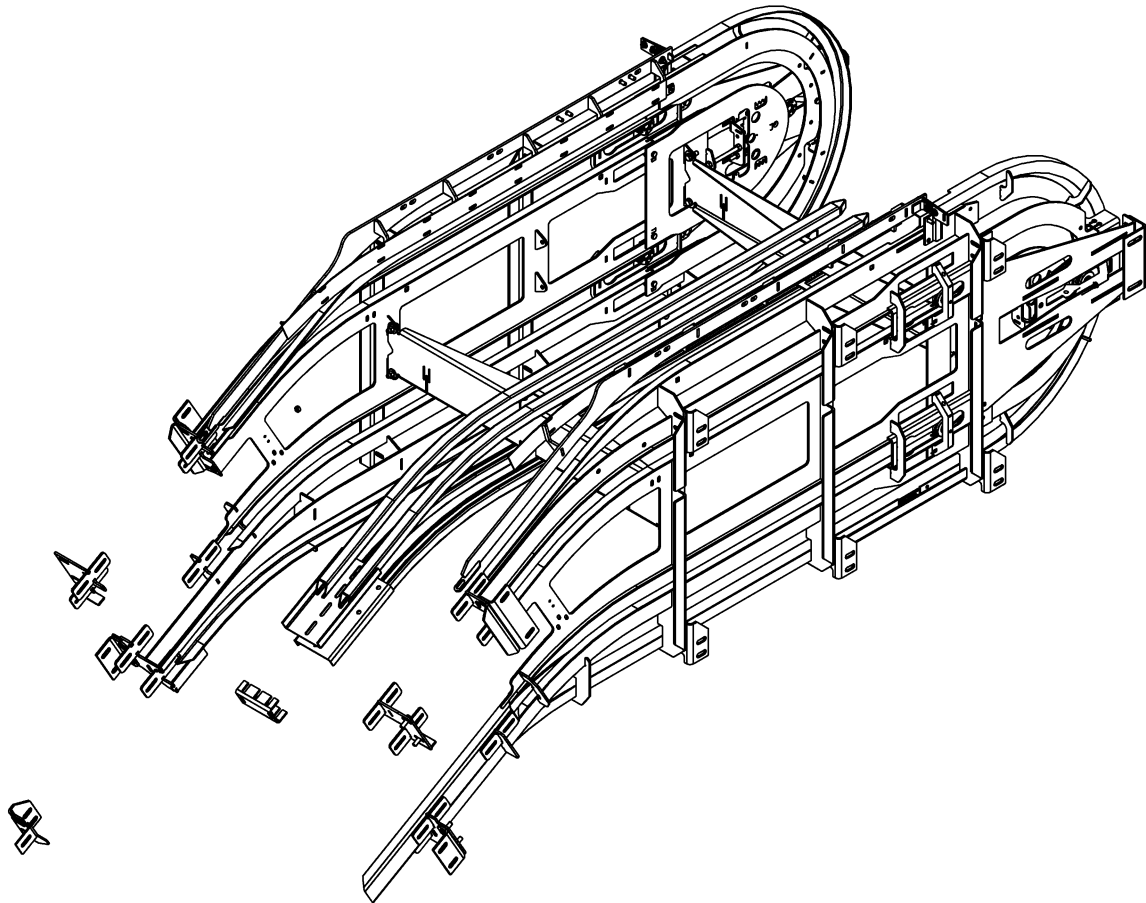
While goal of this document is to make parts identification as easy as possible, the document cannot be all-inclusive. Elevator and escalator contracts classified as "special" or "custom" are not addressed here. For such contracts, please refer to specified information, the contract folder, TIPs, Field Education Articles, Construction Letters, etc. for further information.

If you have any suggestions about this document, please contact the subject matter expert listed on this page.

NextStep® Escalator TRACK SYSTEM

**Spare Parts Leaflet
52-GAA26131AY**

FOR 30° , UPPER LANDING



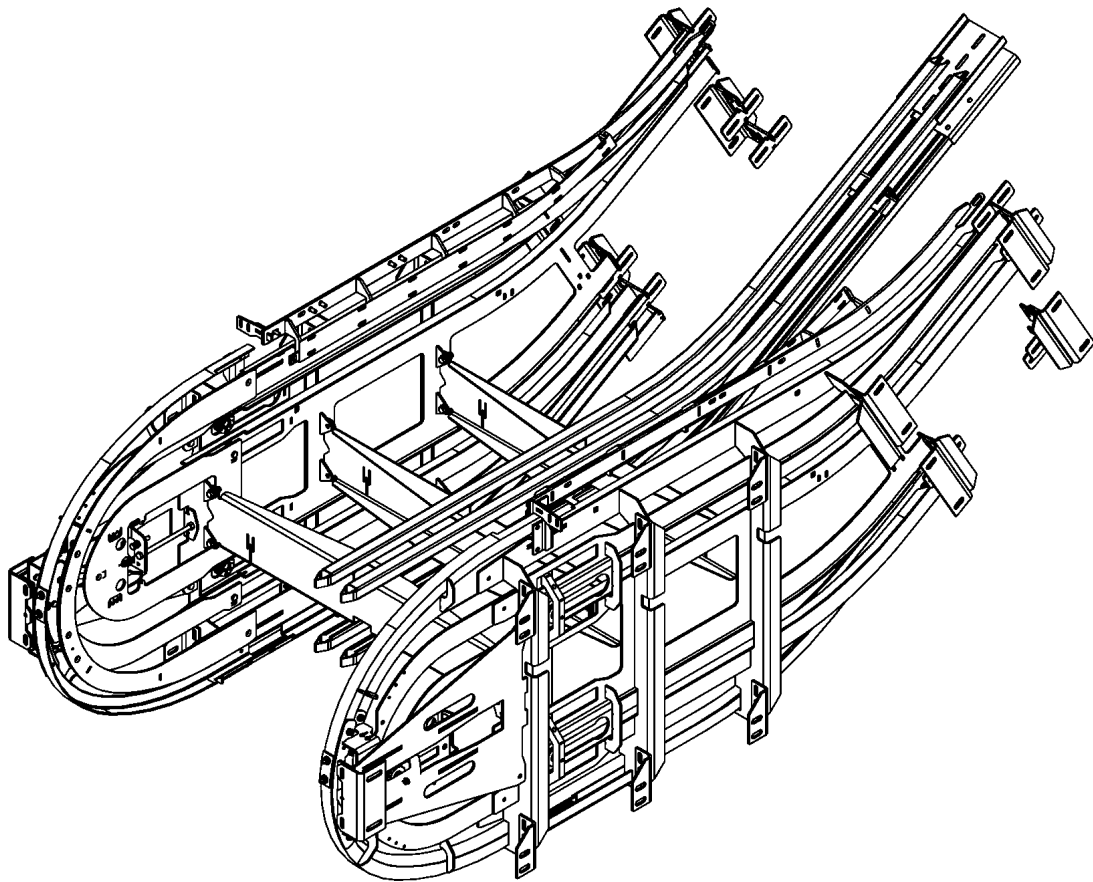
1 - 3

GAA26131AY		
REF.	PART No.	DESCRIPTION
1	GAA26131AY1	Track System, Upper Landing, 2 Flat Step
2	GAA26131AY2	Track System, Upper Landing, 3 Flat Step
3	GAA26131AY5	Track System, Upper Landing, 3 Flat Step, RADII 1500 mm

NextStep® Escalator TRACK SYSTEM

**Spare Parts Leaflet
52-GAA26131AY**

FOR 30° , LOWER LANDING



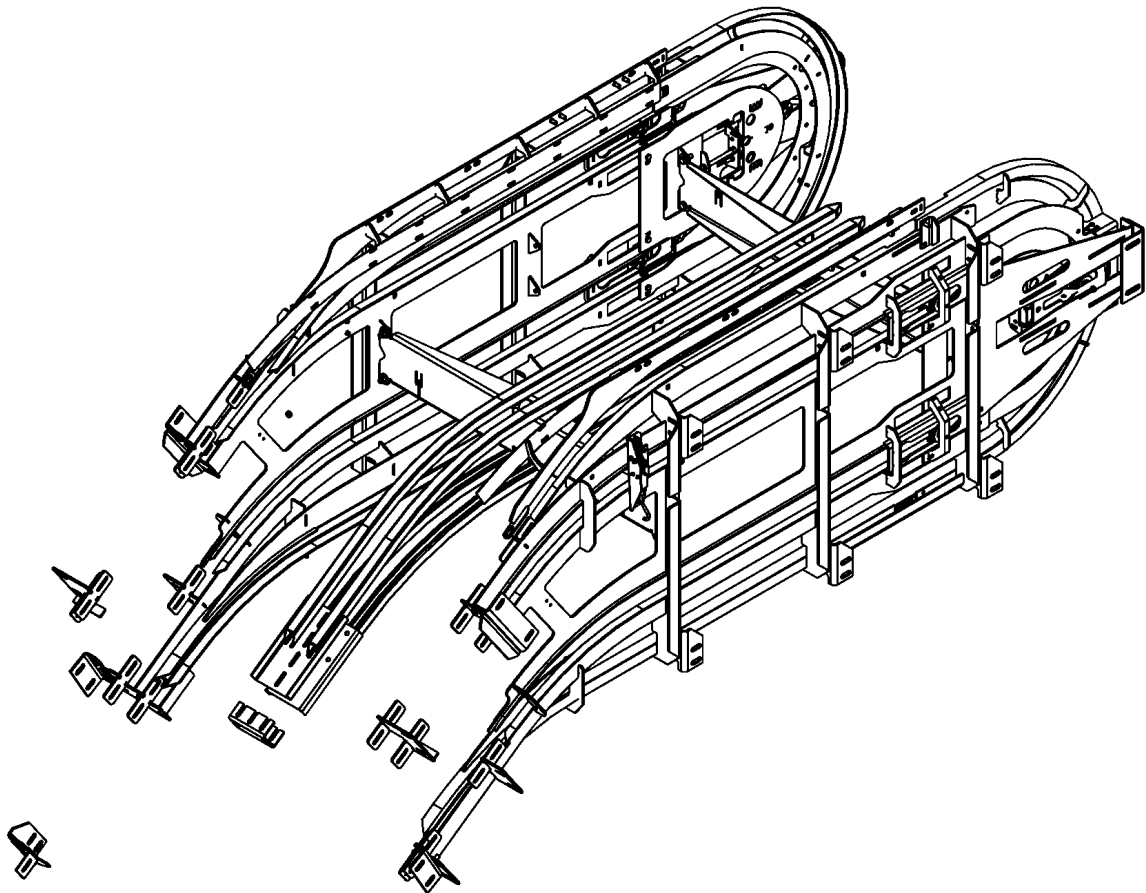
4 - 5

REF.	PART No.	DESCRIPTION
	GAA26131AY	
4	GAA26131AY3	Track System, Lower Landing, 2 Flat Step
5	GAA26131AY4	Track System, Lower Landing, 3 Flat Step

NextStep® Escalator TRACK SYSTEM

**Spare Parts Leaflet
52-GAA26131AY**

FOR 35° , UPPER LANDING



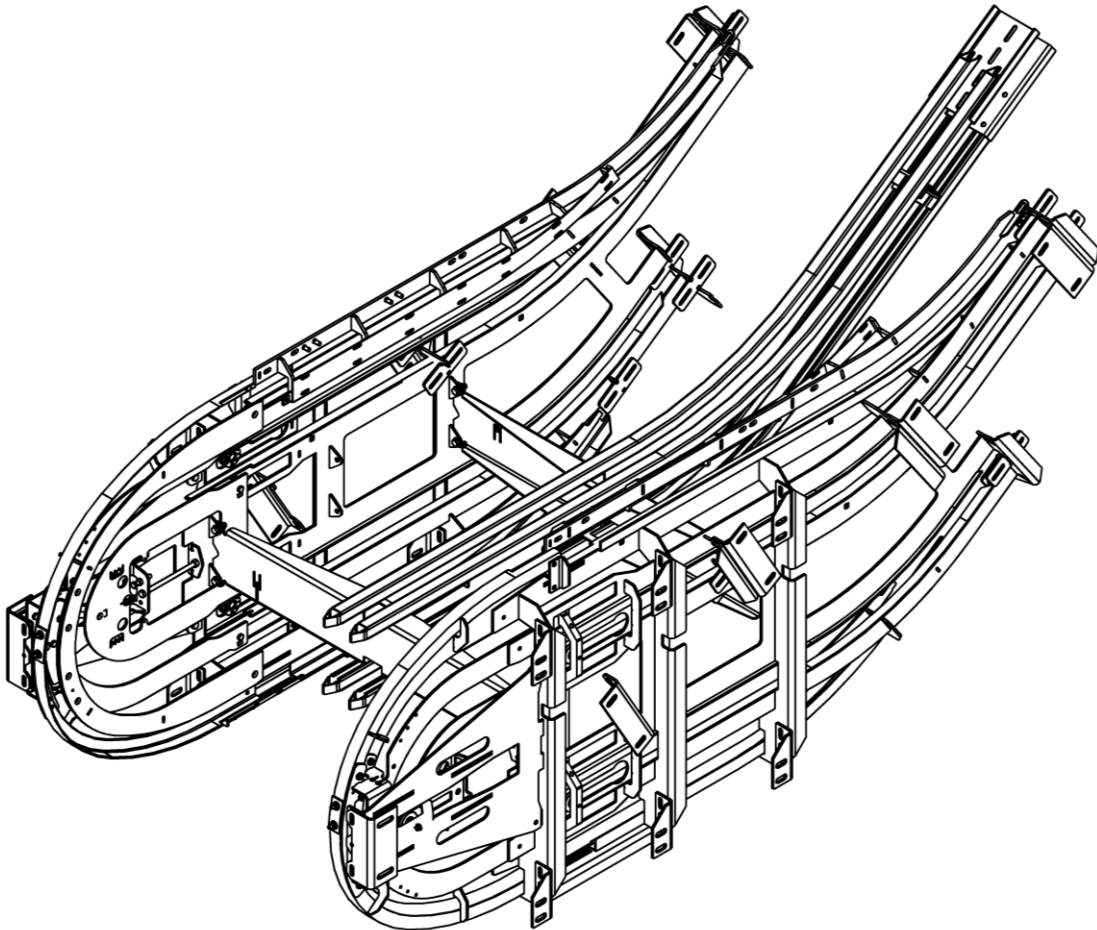
6 - 7

REF.	PART No.	DESCRIPTION
6	GAA26131AZ1	Track System, Upper Landing, 2 Flat Step
7	GAA26131AZ2	Track System, Upper Landing, 3 Flat Step

NextStep® Escalator TRACK SYSTEM

**Spare Parts Leaflet
52-GAA26131AY**

FOR 35° . LOWER LANDING



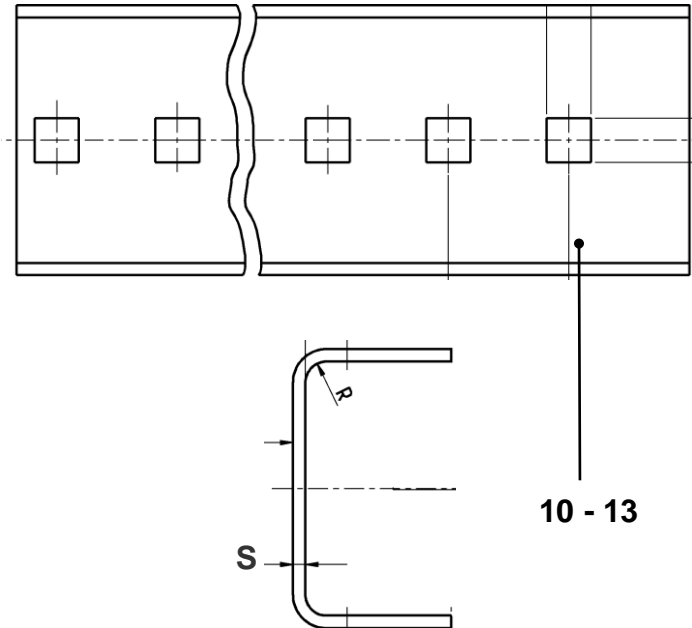
8 - 9

REF.	PART No.	DESCRIPTION
	GAA26131AZ	
8	GAA26131AZ3	Track System, Lower Landing, 2 Flat Step
9	GAA26131AZ4	Track System, Lower Landing, 3 Flat Step

NextStep® Escalator TRACK SYSTEM

**Spare Parts Leaflet
52-GAA26131AY**

Track Profiles Inclined Section

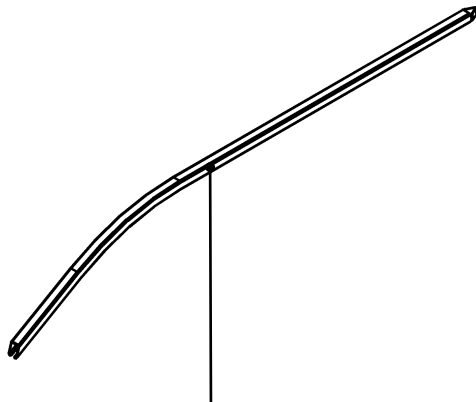


GAA26131AZ		
REF.	PART No.	DESCRIPTION
10	GAA50APD1	Chain Roller Track, Passenger & Return Line, R: 8, S: 5
11	GAA50APD2	Chain Roller Track, Passenger & Return Line, R: 5, S: 3
12	GAA50APD3	Step Roller Track, Passenger Line, R: 8, S: 5
13	GAA50APD4	Step Roller Track, Return Line, & Lateral Guidance Track R: 5, S: 3

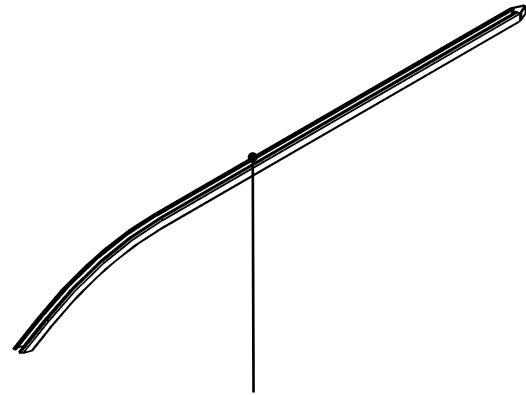
NextStep[®] Escalator TRACK SYSTEM

Spare Parts Leaflet 52-GAA26131AY

For 30°



14, 16, 18, 20, 22, 24



15, 17, 19, 21, 23, 25

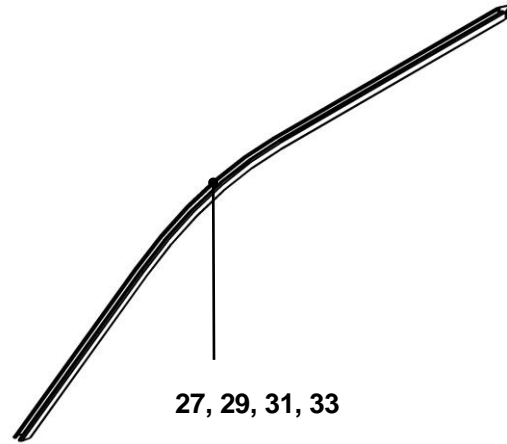
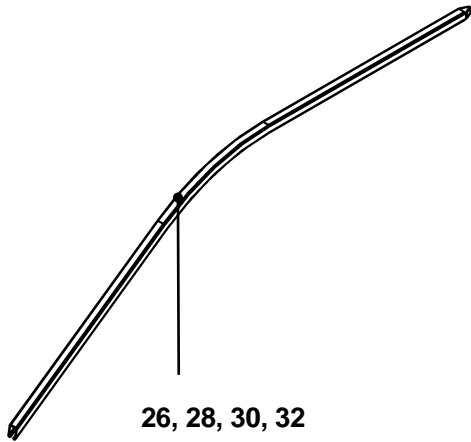
GAA26131AY

REF.	PART No.	DESCRIPTION
14	GAA483CTF1	Lateral Guidance, 2 Flat Step, Upper Landing, Passenger Side
15	GAA483CTG1	Lateral Guidance, 2 Flat Step, Upper Landing, Return Side
16	GAA483CTF2	Lateral Guidance, 2 Flat Step, Lower Landing, Return Side
17	GAA483CTG2	Lateral Guidance, 2 Flat Step, Lower Landing, Passenger
18	GAA483CTF3	Lateral Guidance, 3 Flat Step, Upper Landing, Passenger Side
19	GAA483CTG3	Lateral Guidance, 3 Flat Step, Upper Landing, Return Side
20	GAA483CTF4	Lateral Guidance, 3 Flat Step, Lower Landing, Return Side
21	GAA483CTG4	Lateral Guidance, 3 Flat Step, Lower Landing, Passenger Side
22	GAA483CTF5	Lateral Guidance, RADII 1500 mm, 3 Flat Step, Upper Landing, Passenger Side
23	GAA483CTG5	Lateral Guidance, RADII 1500 mm, 3 Flat Step, Upper Landing, Return Side
24	GAA483CTF6	Lateral Guidance, RADII 1500 mm, 3 Flat Step, Lower Landing, Return Side
25	GAA483CTG6	Lateral Guidance, RADII 1500 mm, 3 Flat Step, Lower Landing, Passenger Side

NextStep® Escalator TRACK SYSTEM

Spare Parts Leaflet 52-GAA26131AY

For 35°

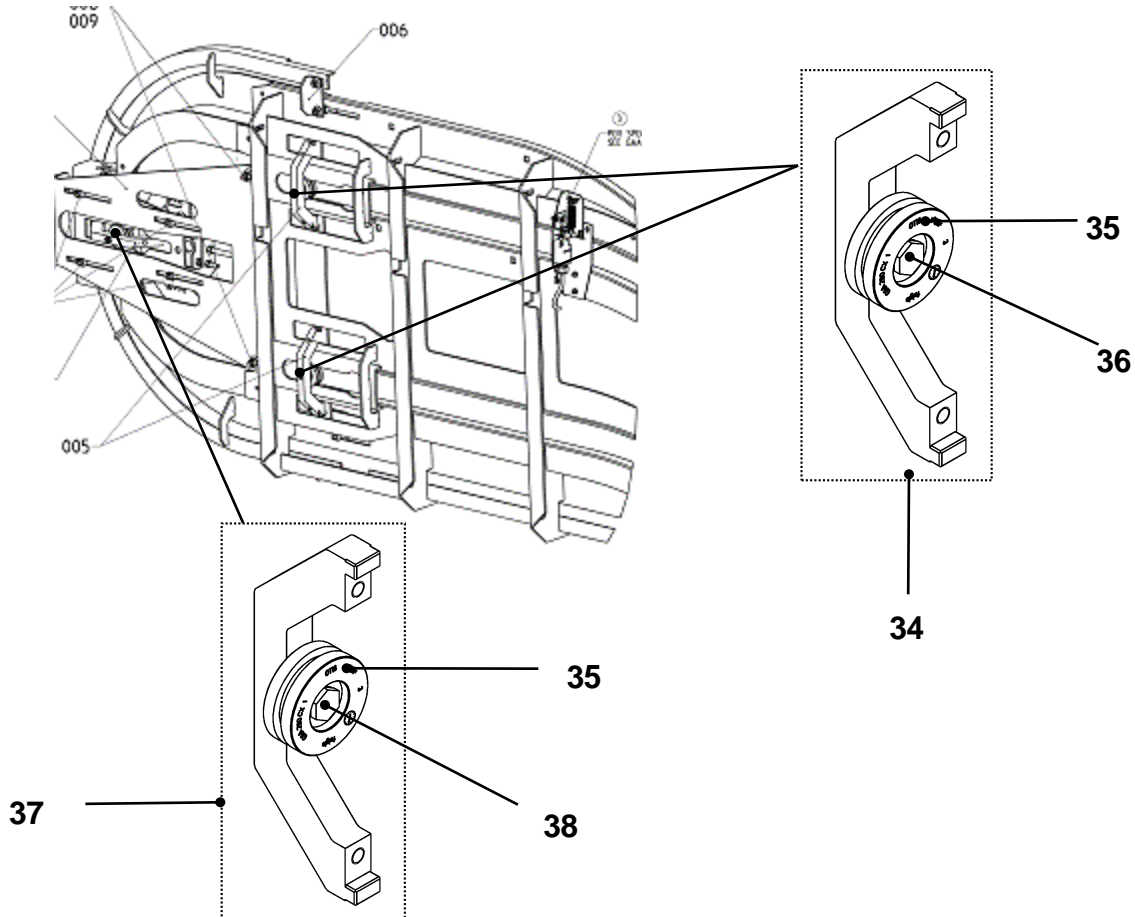


GAA26131AZ		
REF.	PART No.	DESCRIPTION
26	GAA483CVX1	Lateral Guidance, 2 Flat Step, Upper Landing, Passenger Side
27	GAA483CVY1	Lateral Guidance, 2 Flat Step, Upper Landing, Return Side
28	GAA483CVX2	Lateral Guidance, 2 Flat Step, Lower Landing, Return Side
29	GAA483CVY2	Lateral Guidance, 2 Flat Step, Lower Landing, Passenger
30	GAA483CVX3	Lateral Guidance, 3 Flat Step, Upper Landing, Passenger Side
31	GAA483CVY3	Lateral Guidance, 3 Flat Step, Upper Landing, Return Side
32	GAA483CVX4	Lateral Guidance, 3 Flat Step, Lower Landing, Return Side
33	GAA483CVY4	Lateral Guidance, 3 Flat Step, Lower Landing, Passenger Side

NextStep® Escalator TRACK SYSTEM

Spare Parts Leaflet 52-GAA26131AY

Upper and Lower Landing , 30° & 35°



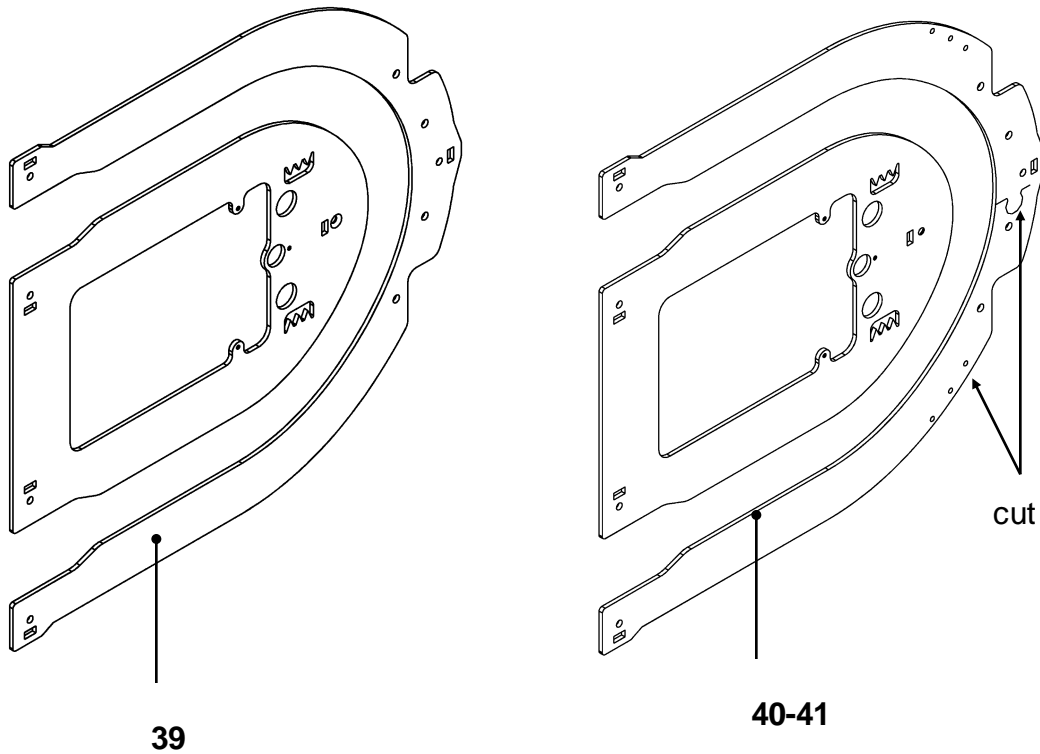
GAA26131AY
GAA26131AZ

REF.	PART No.	DESCRIPTION
34	GAA316CRL1	Bracket and roller assembly
35	GAA290CX3	Roller
36	GAA124CG1	Screw
37	GAA316CRL2	Bracket and roller assembly
38	GAA124CG2	Screw

NextStep® Escalator TRACK SYSTEM

Spare Parts Leaflet 52-GAA26131AY

Upper and Lower Landing , 30° & 35°



GAA26131AY
GAA26131AZ

REF.	PART No.	DESCRIPTION
39	GAA483CSA1	Track Turnaround
40	GAA483CSA2	Track Turnaround, With Cut, As Shown
41	GAA483CSA3	Track Turnaround, With Cut, Opposite