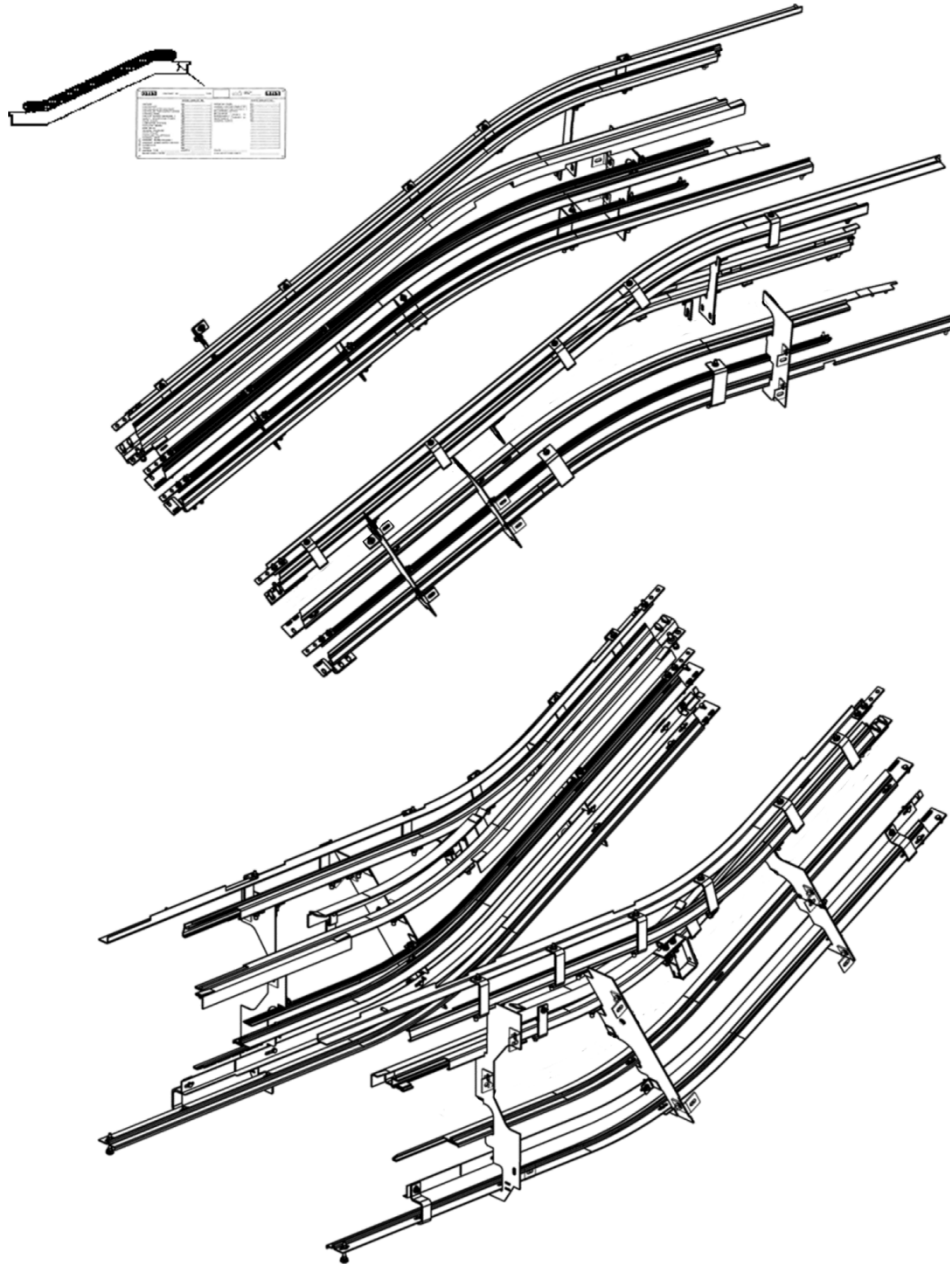


Track 506NCE ANSI Escalator

Spare Parts Leaflet

52-GAA26131E

November 22, 2017 / Page 1 of 20



OTIS

This document does not contain any
technical data subject to EAR or ITAR

SERVICE ENGINEERING

Otis Elevator Company

Bloomfield, Connecticut USA

Unpublished Work—© Otis Elevator Co.; 2017

Leaflet Description

This SPL defines spare parts for the track system of the 506 NCE escalators that were produced initially in the Stadthagen, Germany factory from 1994 and later in the Breclav, Czech Republic through 2004. There is no vintage change to the track assembly associated with the relocation of production. The standard arrangement of the 506 NCE was produced with two or three flat steps. These units have a vintage tag on the upper landing step guard, as seen below, that identifies them as a model 506 NCE, but it does not include a reference for the tracks.

OTIS		CONTRACT NO. _____ TYPE _____	MONTH/ YEAR _____	OTIS
		PARTS LEAFLET NO.		PARTS LEAFLET NO.
MACHINE	06/	OPERATING PANEL		57/
CONTROLLER	02/	LANDING LIGHTING (COMB / STEP)		57/
CONTROLLER OTEC 2020 RACK	02/	LANDING LIGHTING (SIGNALS)		57/
CONTROLLER PART. INSPECT. DEVICE	02/	BALUSTRADE LIGHTING		57/
CONTROL PANEL	02/	BALUSTRADE } ECKE <input type="checkbox"/>		57/
SAFETY DEVICES (SENSORS)	02/	GLASS PANELS } KURVE <input type="checkbox"/>		57/
SAFETY DEVICES (SWITCHES)	02/	SKIRT PANELS		57/
DRIVE CHAINS	02/	HANDRAIL GUIDES		57/
LUBRICATION SYSTEMS	02/	HANDRAIL PRESSURE ROLLERS		55/
AUXILIARY BRAKE	57/			
MAIN DRIVE	57/			
TENSION CARRIAGE	57/			
STEP / PALLET	57/			
STEP CHAIN / PALLET CHAIN	57/			
HANDRAIL DRIVE	57/			
HANDRAIL GUARD (HOUSING)	57/			
HANDRAIL GUARD (SAFETY DEVICE)	57/			
FLOOR PLATE	57/			
COMBS	57/			
HANDRAIL. TYPE _____	LENGTH _____	COLOR _____		
BALUSTRADE FINISH _____		STEP / PALLET CHAIN LENGTH _____		

Leaflet Revisions

Date Revised	Subject Matter Expert	Reason for Revision
November 22, 2017	Shawn Sweeney and Tom Charney	New SPL

Related Drawings

Drawing No.	Title	Drawing No.	Title
GAA26131E	Track	GAA26170F	Escalator Main Drive

Related Documents

Document ID	Title
S6024-5	506NCE Order Data Sheet (ODS)

Subject Matter Expert

Name	Department
Shawn Sweeney and Tom Charney	OSC Service Engineering

About Spare Parts Leaflets...

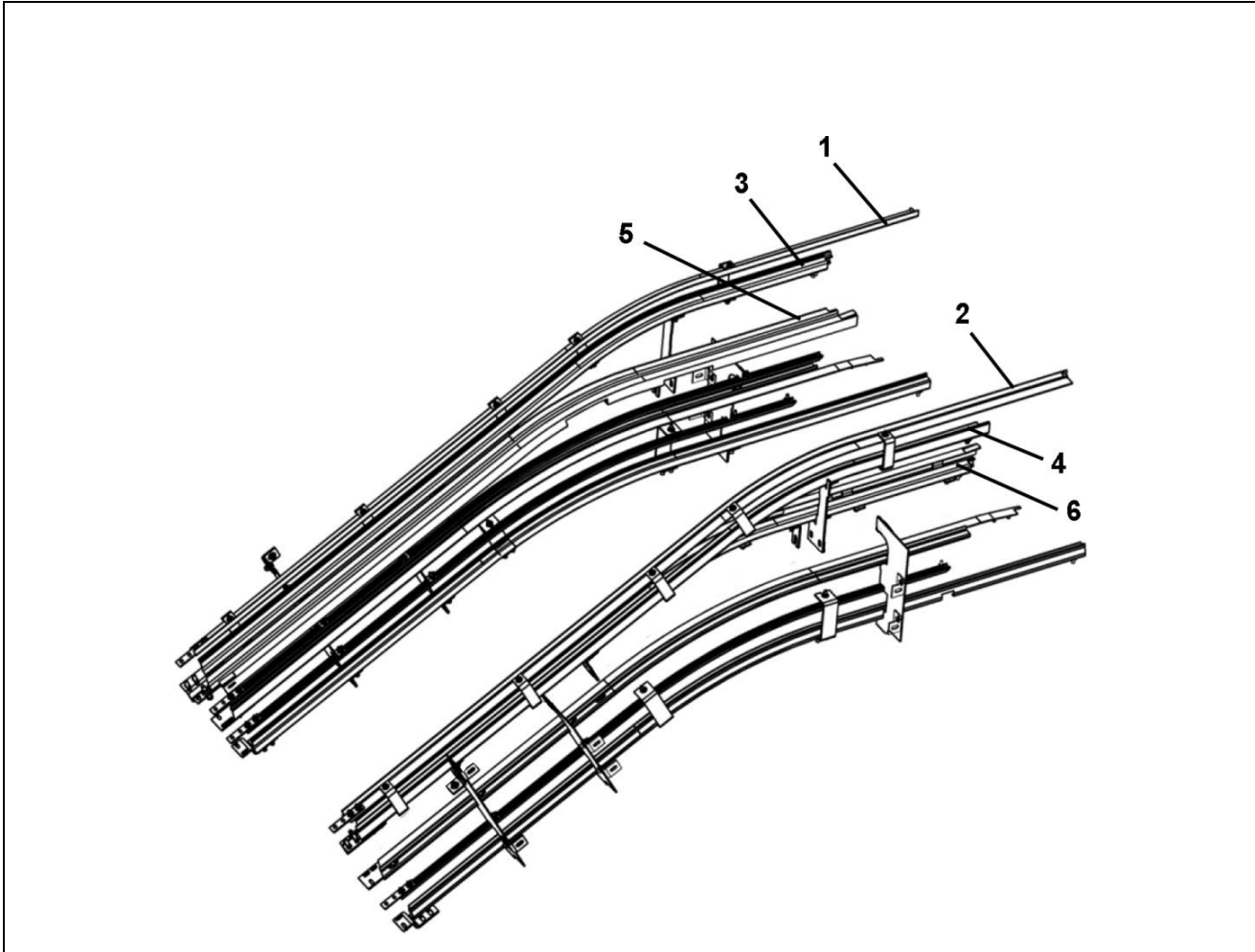
This document lists the lowest replaceable units (LRUs) for the standard version of the product. The LRUs are chosen by a team of Otis associates representing engineering and manufacturing.

While goal of this document is to make parts identification as easy as possible, the document cannot be all-inclusive. Elevator and escalator contracts classified as "special" or "custom" are not addressed here. For such contracts, please refer to specified information, the contract folder, TIPs, Field Education Articles, Construction Letters, etc. for further information.

If you have any suggestions about this document, please contact the subject matter expert listed on this page.

506NCE Track Upper Landing,
 Passenger Line, Two Flat Steps

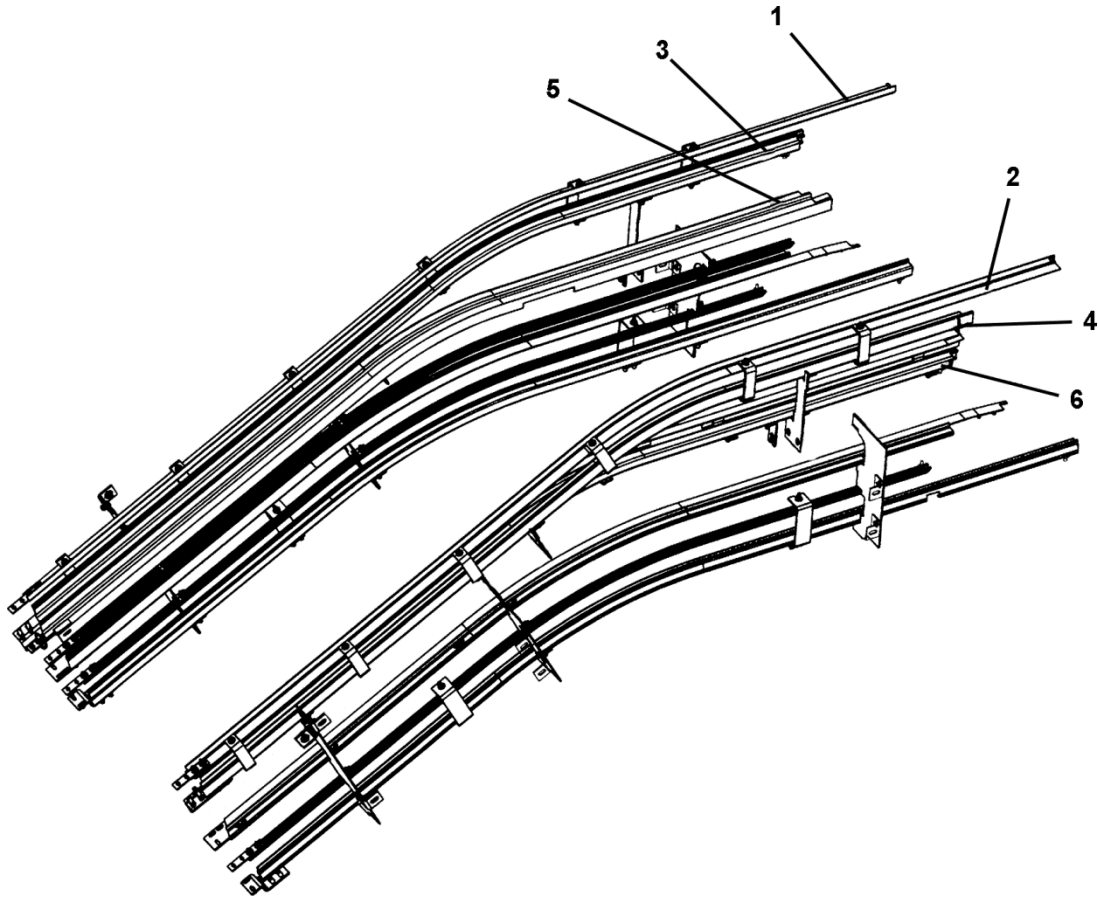
52-GAA26131E



Upper Landing Passenger, Two Flat Steps

GAA26131E			
REF. No.	PART No.	DESCRIPTION	LENGTH (mm)
1	GAA483CAD5	Track, Step Chain Roller Upthrust, Left Side	1650
2	GAA483CAD6	Track, Step Chain Roller Upthrust, Right Side	1650
3	GAA483BAZ5	Track, Step Chain Roller, Left Side	2772
4	GAA483BAZ6	Track, Step Chain Roller, Right Side	2764
5	GAA483CAA5	Track, Step Roller, Left Side	2728
6	GAA483CAA6	Track, Step Roller, Right Side	2685

506NCE Track Upper Landing, Passenger Line, Three Flat Steps

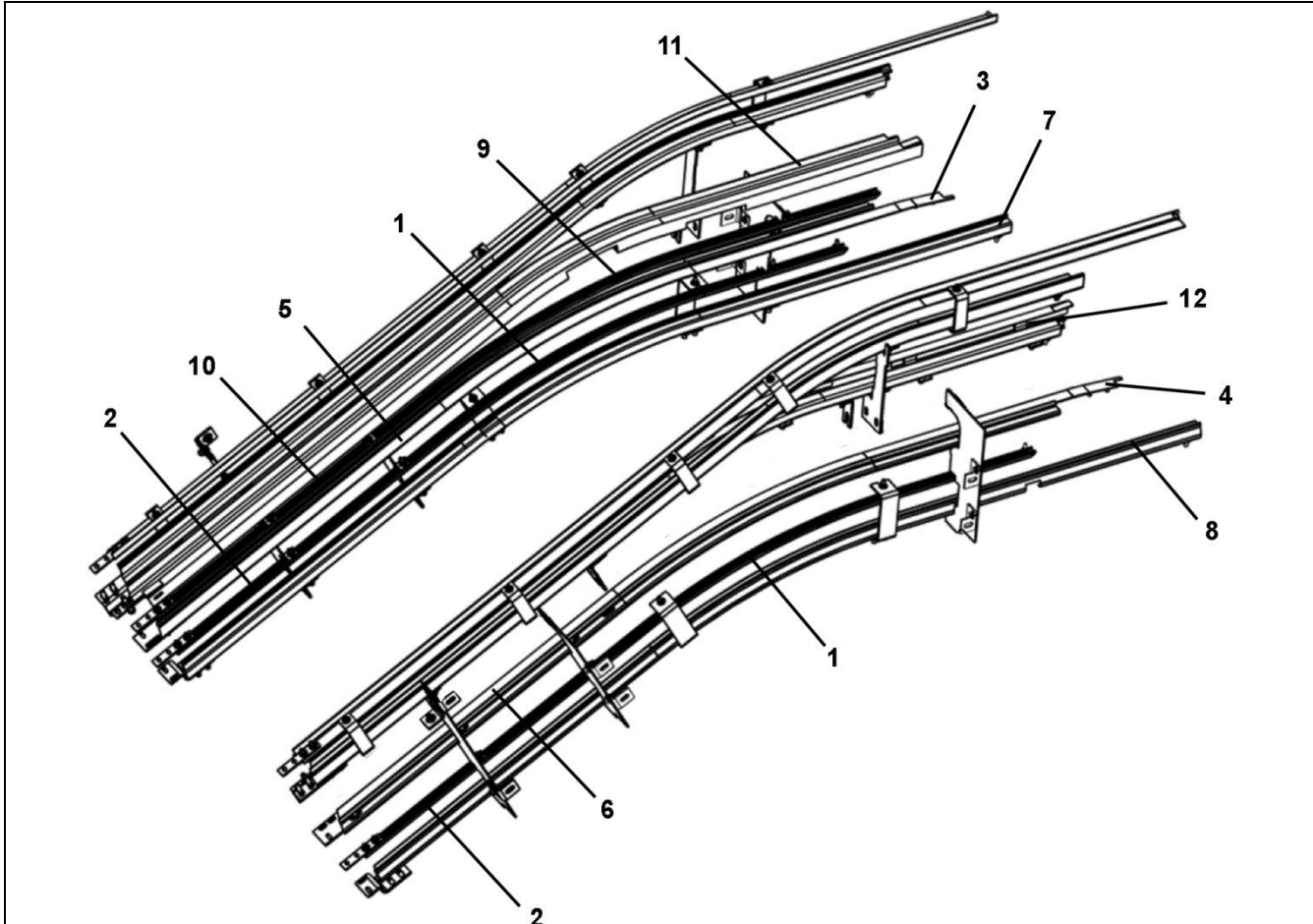


Upper Landing Passenger, Three Flat Steps

REF. No.	PART No.	DESCRIPTION	LENGTH (mm)
	GAA26131E		
1	GAA483CAD7	Track, Step Chain Roller Upthrust, Left Side	2057
2	GAA483CAD8	Track, Step Chain Roller Upthrust, Right Side	2057
3	GAA483BAZ7	Track, Step Chain Roller, Left Side	3179
4	GAA483BAZ8	Track, Step Chain Roller, Right Side	3171
5	GAA483CAA7	Track, Step Roller, Left Side	3135
6	GAA483CAA8	Track, Step Roller, Right Side	3092

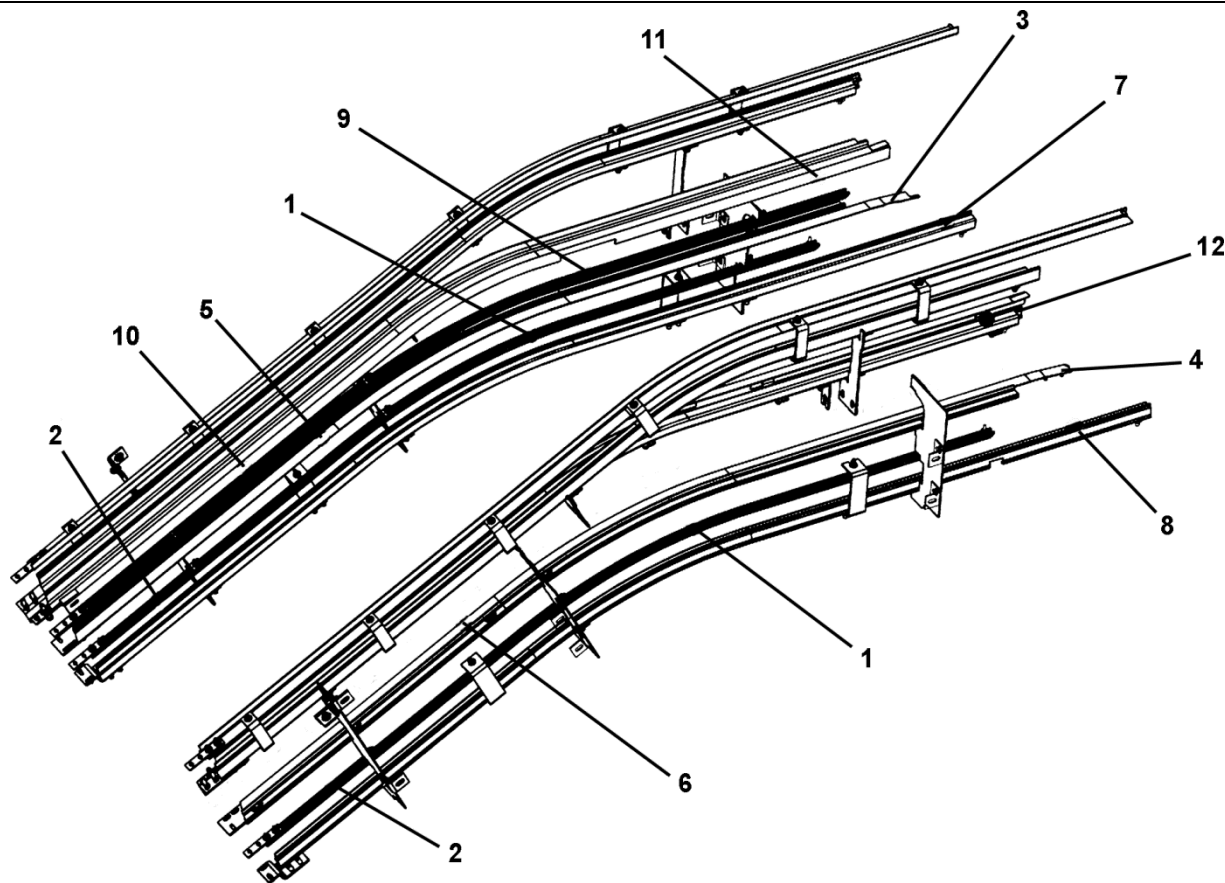
506NCE Track Upper Landing Return Line, Two Flat Steps

52-GAA26131E



Upper Landing Return, Two Flat Steps

GAA26131E			
REF. No.	PART No.	DESCRIPTION	LENGTH (mm)
1	GAA483CAE3	Track, Step Chain Roller Upthrust, Left and Right Side	1421
2	GAA483CBB2	Track, Step Chain Roller Upthrust, Left and Right Side	445
3	GAA483CAB5	Track, Step Roller, Left Side	1378
4	GAA483CAB6	Track, Step Roller, Right Side	1378
5	GAA483CBL1	Track, Step Roller, Notched for Handrail Drive, Left Side	1229
6	GAA483CBL2	Track, Step Roller, Notched for Handrail Drive, Right Side	1229
7	GAA483CAC5	Track, Step Chain Roller, Left Side	2901
8	GAA483CAC6	Track, Step Chain Roller, Right Side	2896
9	GAA483CAE7	Track, Step Roller Upthrust, Left Side Only	1221
10	GAA483CBB3	Track, Step Roller Upthrust, Removable for Handrail Drive, Left Side Only	1167
11	GAA483BAP13	Track, Step Roller Upthrust, Left Side	1475
12	GAA483BAP14	Track, Step Roller Upthrust, Right Side	1475

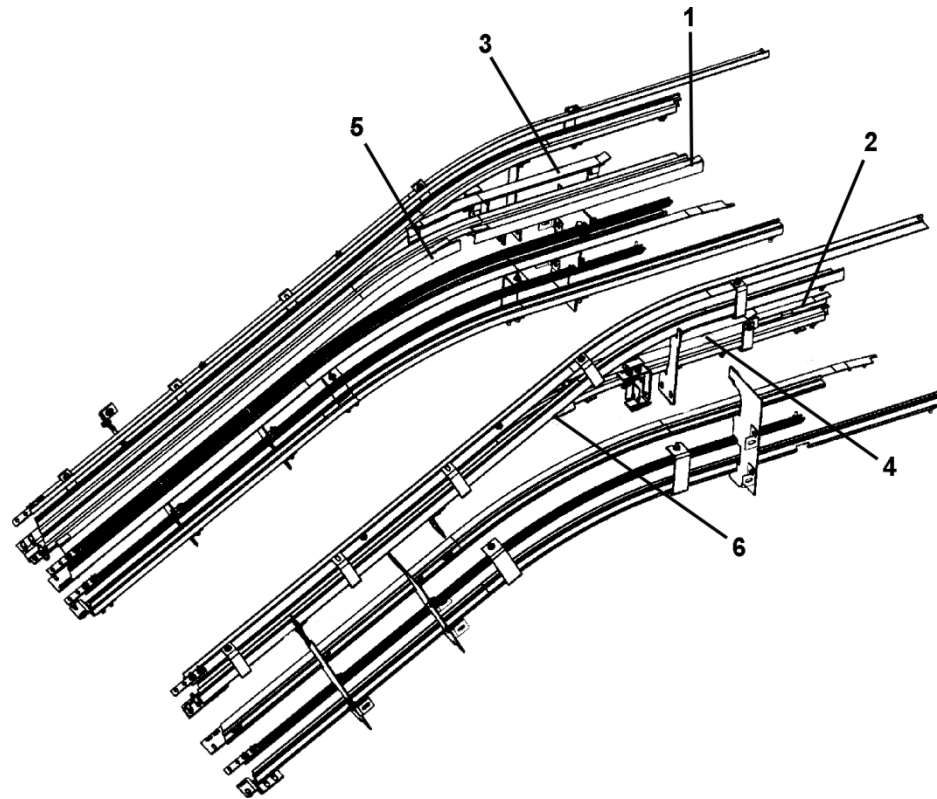
506NCE Track Upper Landing,
Return Line, Three Flat Steps

Upper Landing Return, Three Flat Steps

REF. No.	PART No.	DESCRIPTION	LENGTH (mm)
	GAA26131E		
1	GAA483CAE4	Track, Step Chain Roller Upthrust, Left and Right Side	1828
2	GAA483CBB2	Track, Step Chain Roller Upthrust, Left and Right Side	445
3	GAA483CAB7	Track, Step Roller, Left Side	1785
4	GAA483CAB8	Track, Step Roller, Right Side	1785
5	GAA483CBL1	Track, Step Roller, Notched for Handrail Drive, Left Side	1229
6	GAA483CBL2	Track, Step Roller, Notched for Handrail Drive, Right Side	1229
7	GAA483CAC7	Track, Step Chain Roller, Left Side	3308
8	GAA483CAC8	Track, Step Chain Roller, Right Side	2896
9	GAA483CAE8	Track, Step Roller Upthrust, Left Side Only	1628
10	GAA483CBB3	Track, Step Roller Upthrust, Removable for Handrail Drive, Left Side Only	1167
11	GAA483BAP15	Track, Step Roller Upthrust, Left Side	1882
12	GAA483BAP16	Track, Step Roller Upthrust, Right Side	1882

506NCE Track Upper Landing,
Upthrust Device, Two Flat Steps

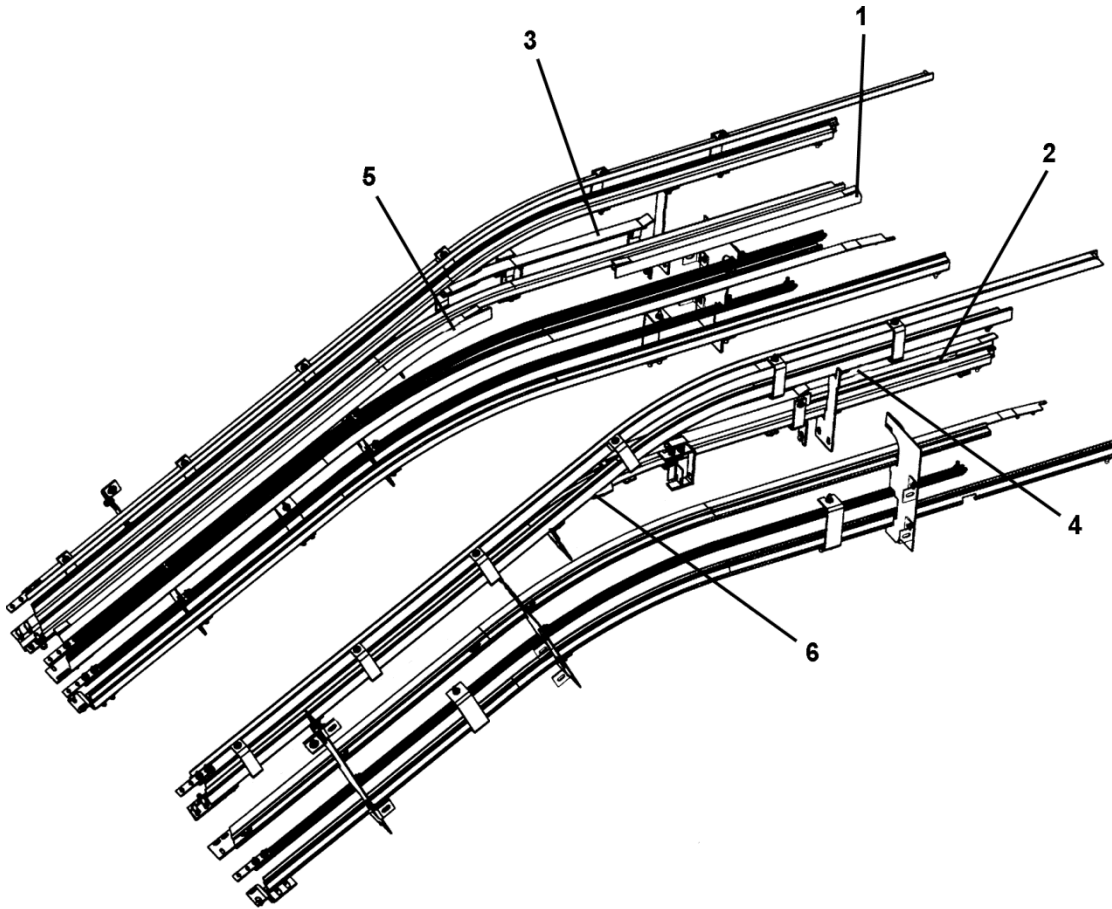
52-GAA26131E



Upper Landing with Step Upthrust Device, Two Flat Steps

REF. No.	PART No.	DESCRIPTION	LENGTH (mm)
	GAA26131E		
1	GAA483BAF8	Step Upthrust, Straight, Left Side	510
2	GAA483BAF9	Step Upthrust, Straight, Right Side	510
3	GAA483BAR1	Track, Step Roller Upthrust Assembly Complete with Springs and Brackets, Left Side	769
4	GAA483BAR2	Track, Step Roller Upthrust Assembly Complete with Springs and Brackets, Right Side	769
5	GAA483BAT1	Step Upthrust, Curved, Left Side	503
6	GAA483BAT2	Step Upthrust, Curved, Right Side	503

506NCE Track Upper Landing, Upthrust Device, Three Flat Steps

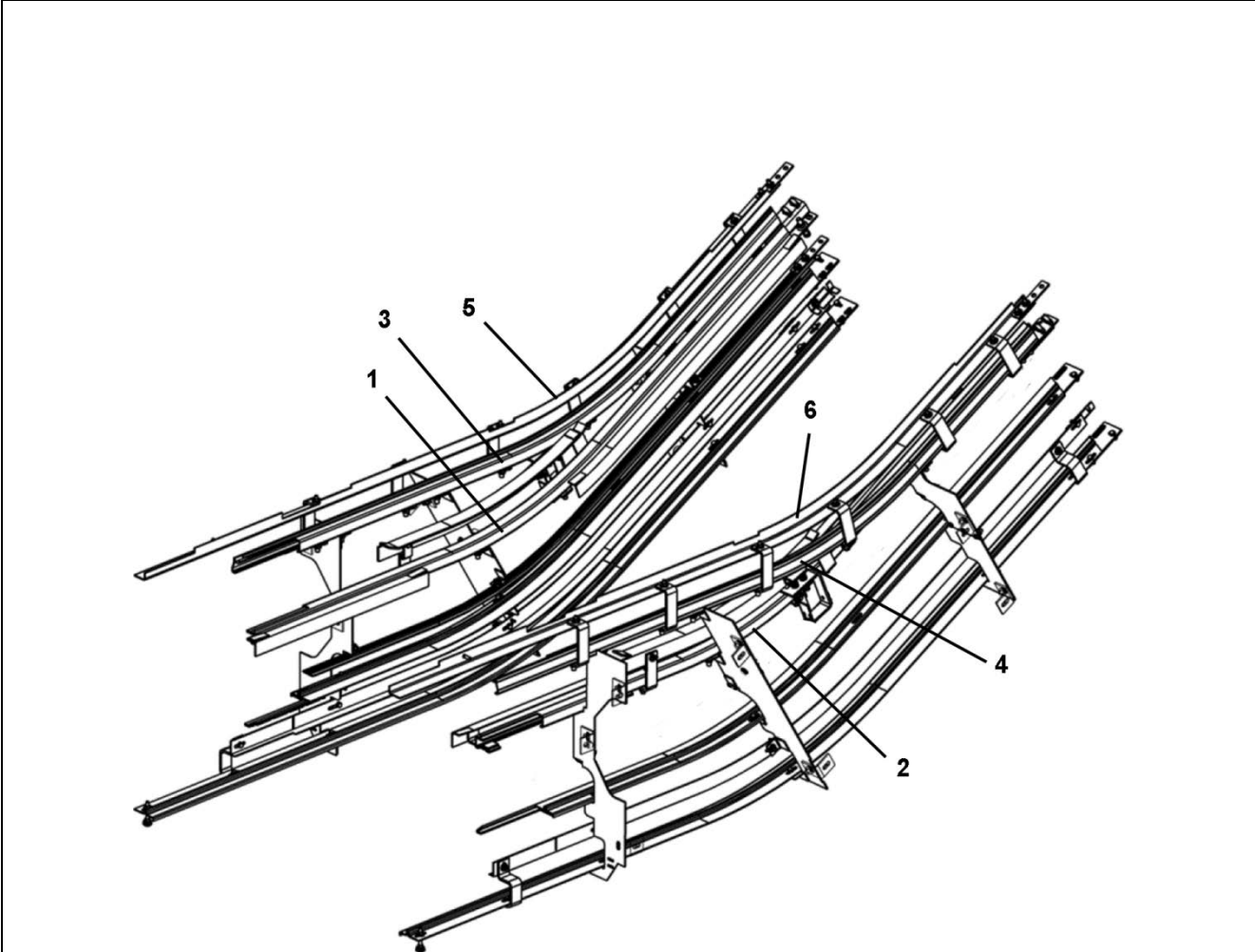


Upper Landing with Step Upthrust Device, Three Flat Steps

REF. No.	PART No.	DESCRIPTION	LENGTH (mm)
	GAA26131E		
1	GAA483BAF11	Step Upthrust, Straight, Left Side	917
2	GAA483BAF12	Step Upthrust, Straight, Right Side	917
3	GAA483BAR1	Track, Step Roller Upthrust Assembly Complete with Springs and Brackets, Left Side	769
4	GAA483BAR2	Track, Step Roller Upthrust Assembly Complete with Springs and Brackets, Right Side	769
5	GAA483BAT1	Step Upthrust, Curved, Left Side	503
6	GAA483BAT2	Step Upthrust, Curved, Right Side	503

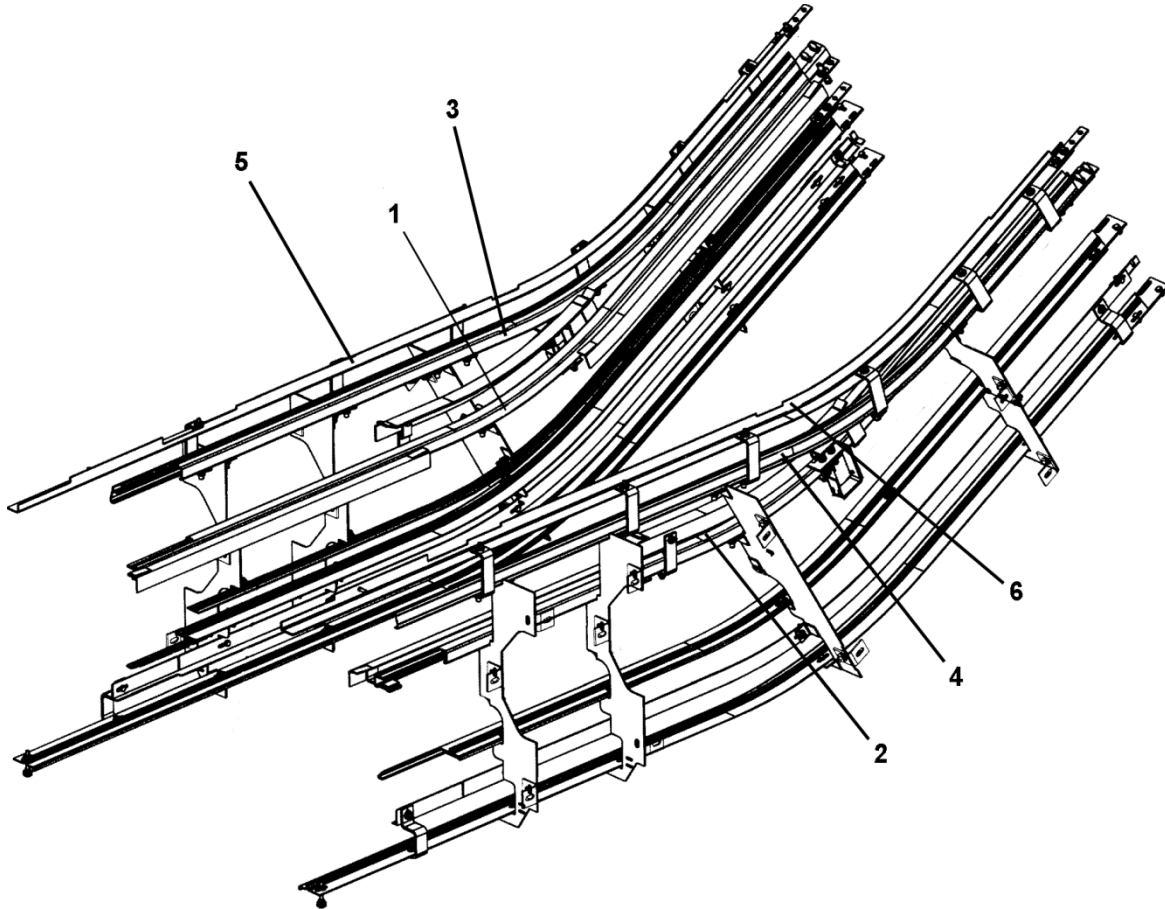
506NCE Track Lower Landing,
 Passenger Line, Two Flat Steps

52-GAA26131E



Lower Landing Passenger, Two Flat Steps

REF. No.	PART No.	DESCRIPTION	LENGTH (mm)
	GAA26131E		
1	GAA483CAG5	Track, Step Roller, Left Side	1793
2	GAA483CAG6	Track, Step Roller, Right Side	1826
3	GAA483CAF5	Track, Step Chain Roller, Left Side	1751
4	GAA483CAF6	Track, Step Chain Roller, Right Side	1755
5	GAA483CAK5	Track, Step Chain Roller Upthrust, Left Side	2167
6	GAA483CAK6	Track, Step Chain Roller Upthrust, Right Side	2167

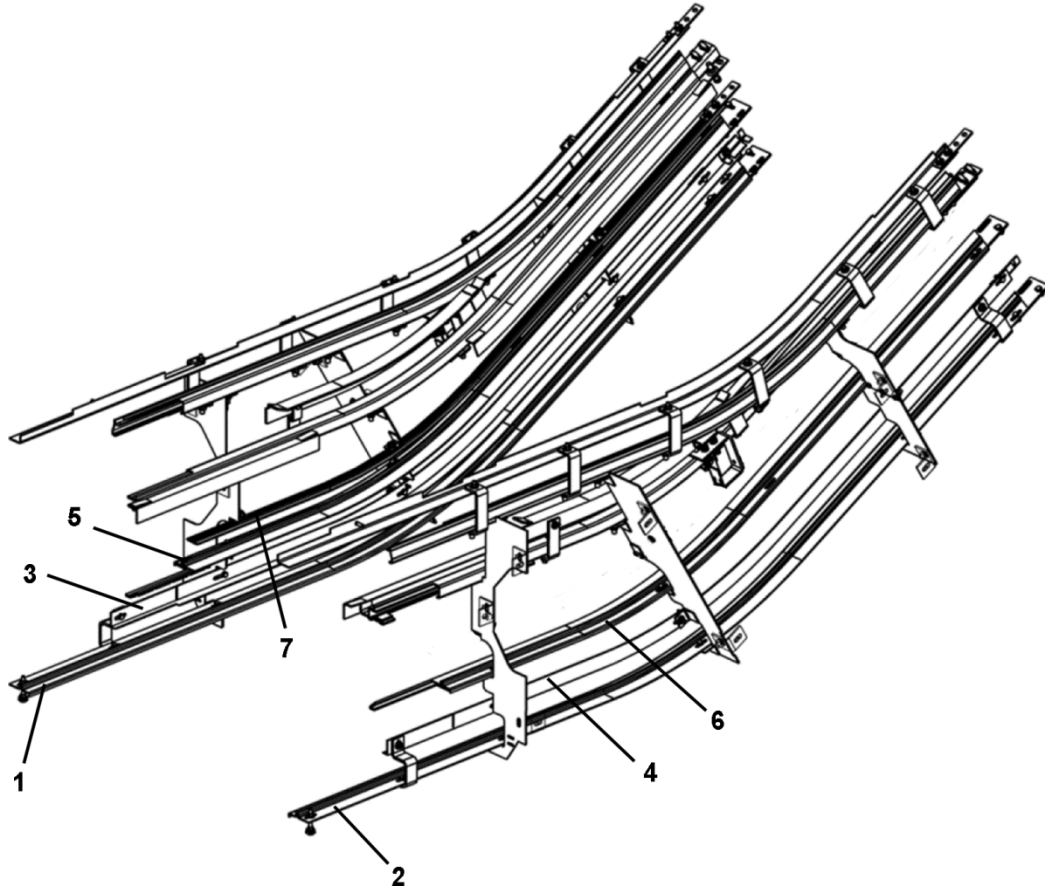
506NCE Track Lower Landing,
Passenger Line, Three Flat Steps

Lower Landing Passenger, Three Flat Steps

REF. No.	PART No.	DESCRIPTION	LENGTH (mm)
	GAA26131E		
1	GAA483CAG7	Track, Step Roller, Left Side	2200
2	GAA483CAG8	Track, Step Roller, Right Side	2243
3	GAA483CAF7	Track, Step Chain Roller, Left Side	2158
4	GAA483CAF8	Track, Step Chain Roller, Right Side	2162
5	GAA483CAK7	Track, Step Chain Roller Upthrust, Left Side	2574
6	GAA483CAK8	Track, Step Chain Roller Upthrust, Right Side	2574

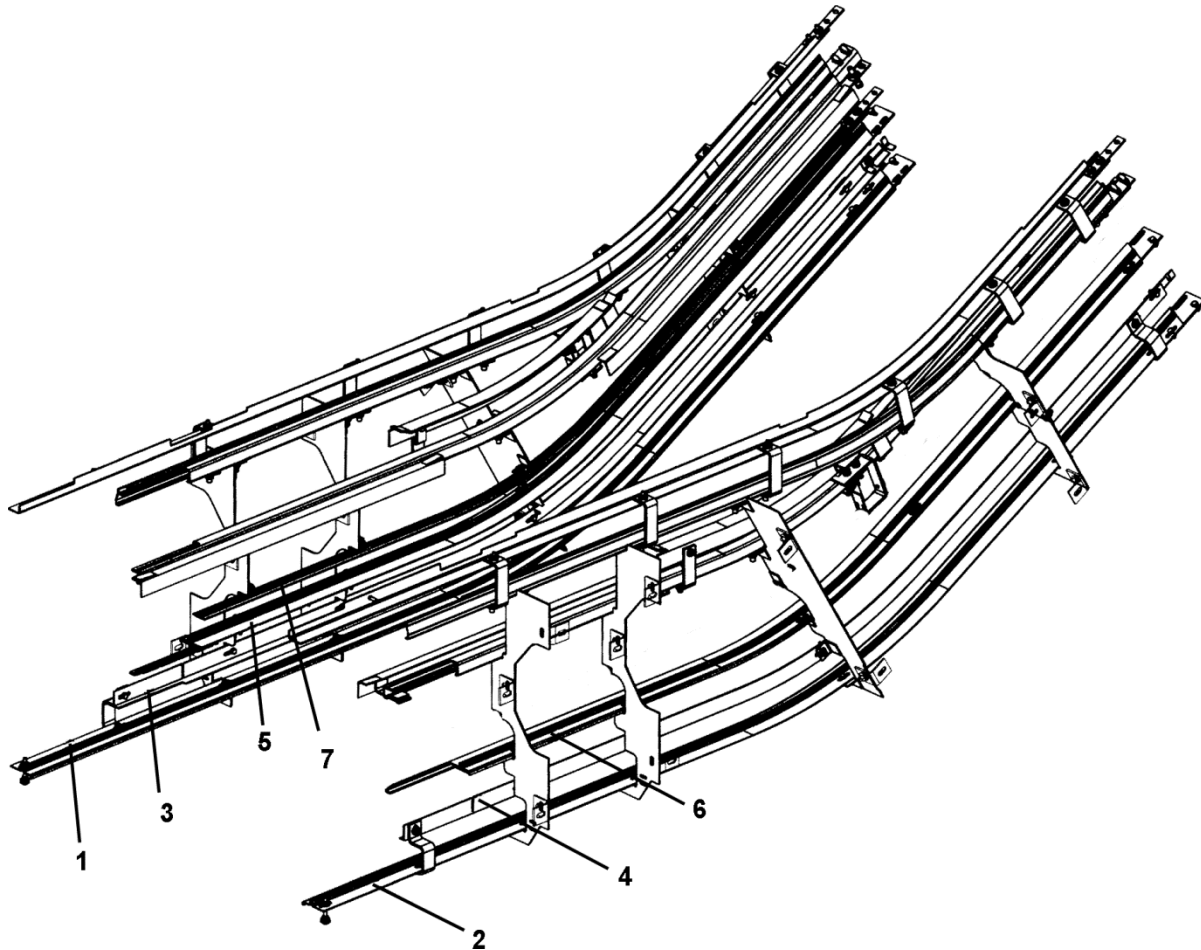
506NCE Track Lower Landing,
Return Line, Two Flat Steps

52-GAA26131E



Lower Landing Return, Two Flat Steps

REF. No.	PART No.	DESCRIPTION	LENGTH (mm)
	GAA26131E		
1	GAA483CAJ5	Track, Step Chain Roller, Left Side	2411
2	GAA483CAJ6	Track, Step Chain Roller, Right Side	2402
3	GAA483CAL5	Track, Step Chain Roller Upthrust, Left Side	2125
4	GAA483CAL6	Track, Step Chain Roller Upthrust, Right Side	2125
5	GAA483CAH5	Track, Step Roller, Left Side	1959
6	GAA483CAH6	Track, Step Roller, Right Side	1959
7	GAA483CAM1	Track, Step Roller Upthrust, Left Side Only	1674

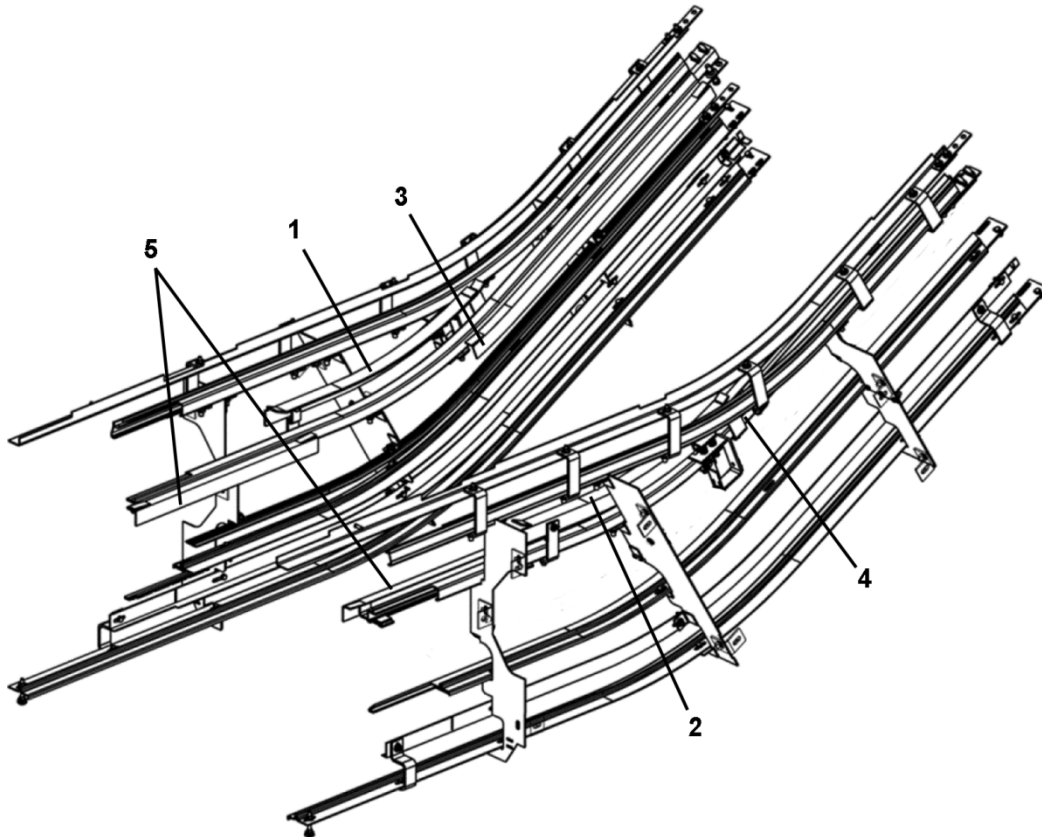
506NCE Track Lower Landing,
Return Line, Three Flat Steps

Lower Landing Return, Three Flat Steps

REF. No.	PART No.	DESCRIPTION	LENGTH (mm)
	GAA26131E		
1	GAA483CAJ7	Track, Step Chain Roller, Left Side	2818
2	GAA483CAJ8	Track, Step Chain Roller, Right Side	2809
3	GAA483CAL7	Track, Step Chain Roller Upthrust, Left Side	2532
4	GAA483CAL8	Track, Step Chain Roller Upthrust, Right Side	2532
5	GAA483CAH7	Track, Step Roller, Left Side	2366
6	GAA483CAH8	Track, Step Roller, Right Side	2366
7	GAA483CAM2	Track, Step Roller Upthrust, Left Only	2081

506NCE Track Lower Landing,
Upthrust Device, Two Flat Steps

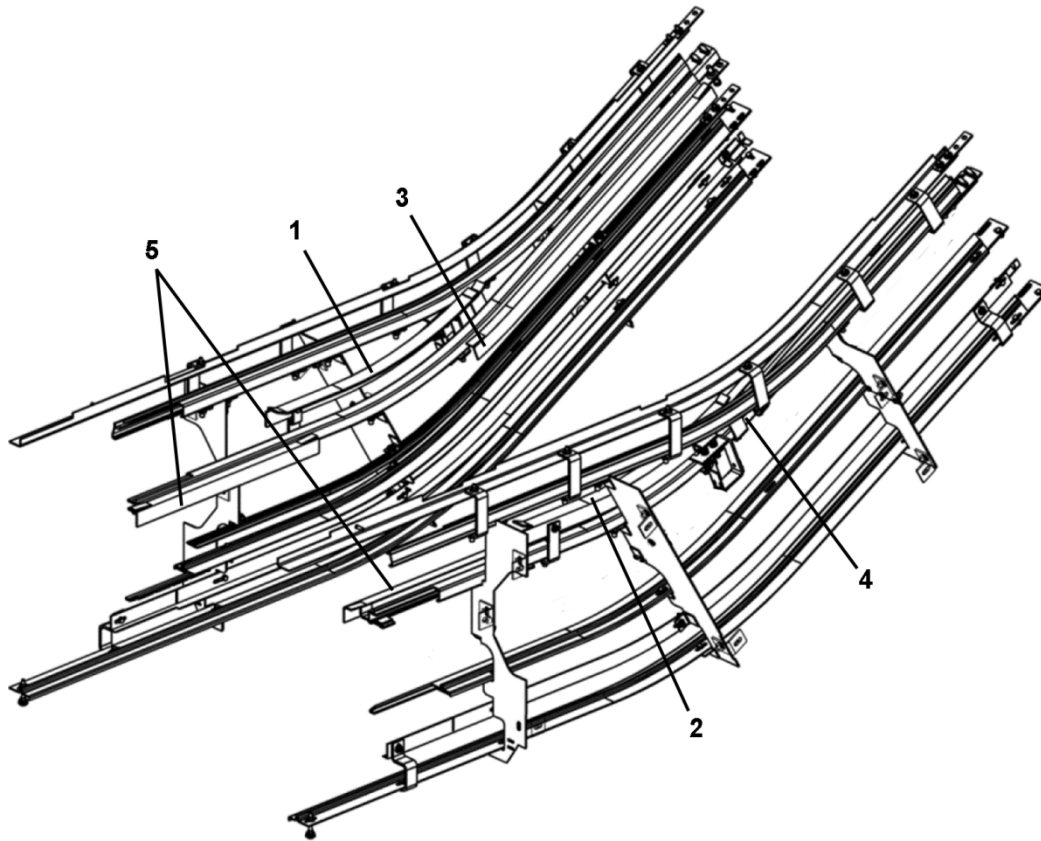
52-GAA26131E



Lower Landing Step Upthrust Device, Two Flat Steps

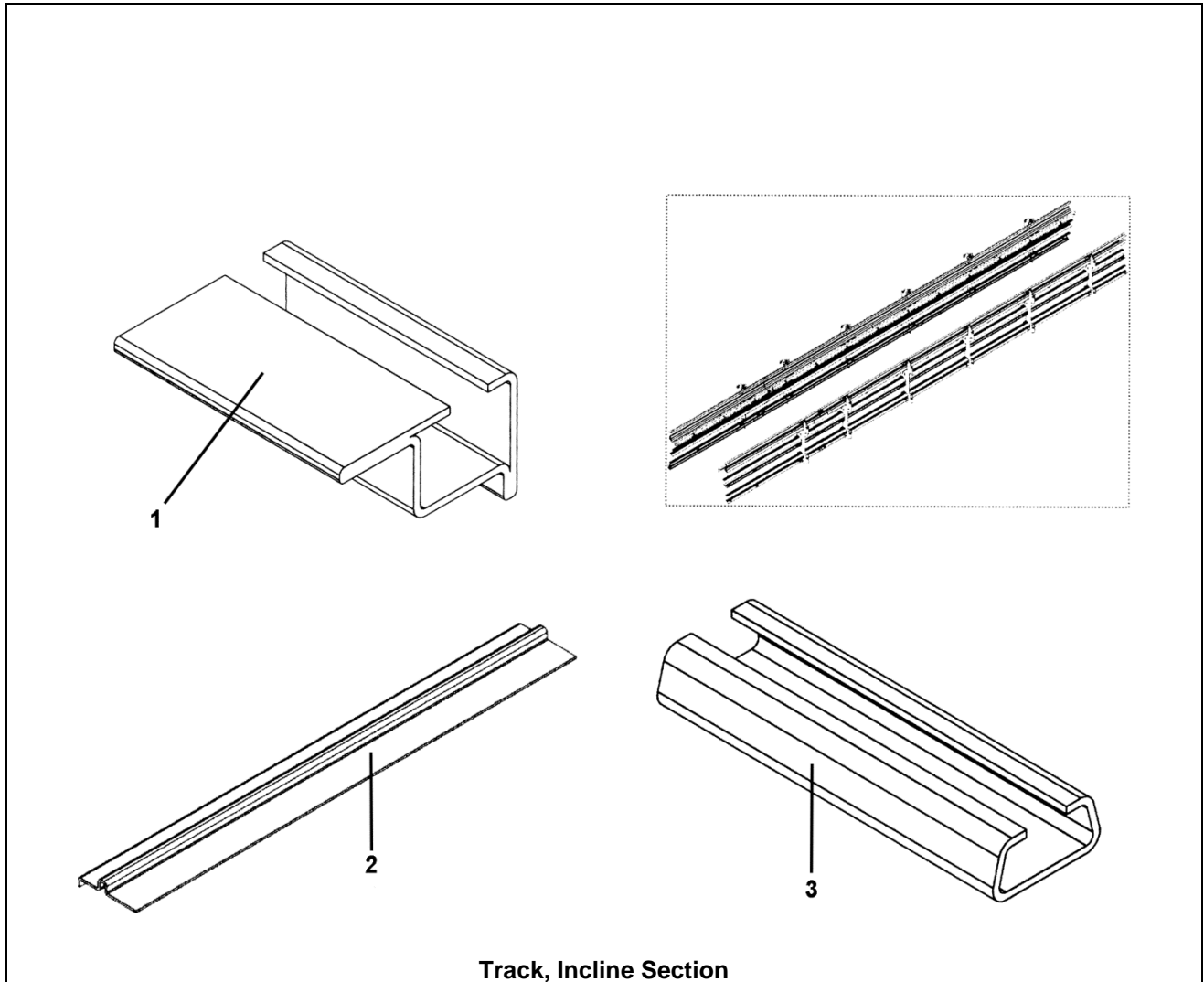
REF. No.	PART No.	DESCRIPTION	LENGTH (mm)
	GAA26131E		
1	GAA483BAX1	Track, Step Roller Upthrust Assembly, Complete with Spring and Brackets, Left Side	885
2	GAA483BAX2	Track, Step Roller Upthrust Assembly, Complete with Spring and Brackets, Right Side	885
3	GAA483BAE3	Step Upthrust, Curved, Left Side	562
4	GAA483BAE4	Step Upthrust, Curved, Right Side	562
5	GAA483BAF7	Step Upthrust, Straight, Left and Right Sides	686

506NCE Track Lower Landing, Upthrust Device, Three Flat Steps



Lower Landing Step Upthrust Device, Three Flat Steps

REF. No.	PART No.	DESCRIPTION	LENGTH (mm)
	GAA26131E		
1	GAA483BAX1	Track, Step Roller Upthrust Assembly, Complete with Spring and Brackets, Left Side	885
2	GAA483BAX2	Track, Step Roller Upthrust Assembly, Complete with Spring and Brackets, Right Side	885
3	GAA483BAE3	Step Upthrust, Curved, Left Side	562
4	GAA483BAE4	Step Upthrust, Curved, Right Side	562
5	GAA483BAF10	Step Upthrust, Straight, Left and Right Sides	1093

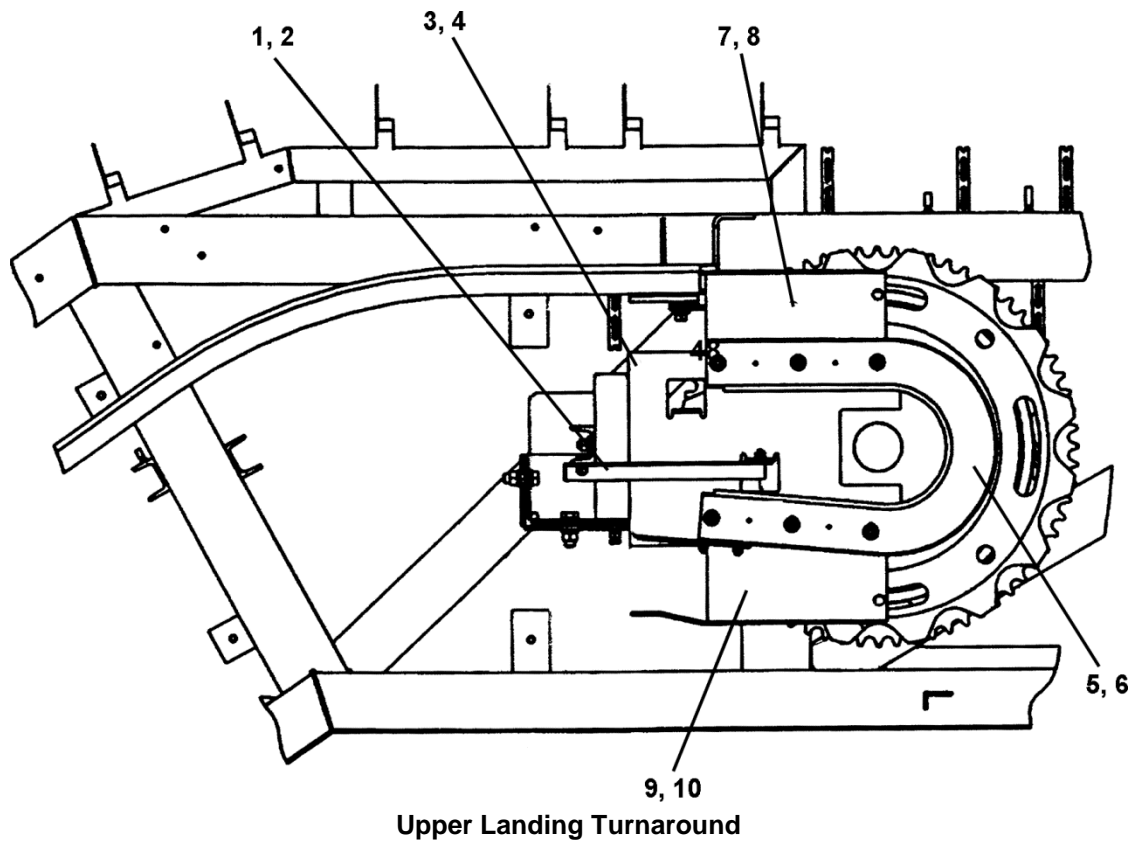


Track, Incline Section

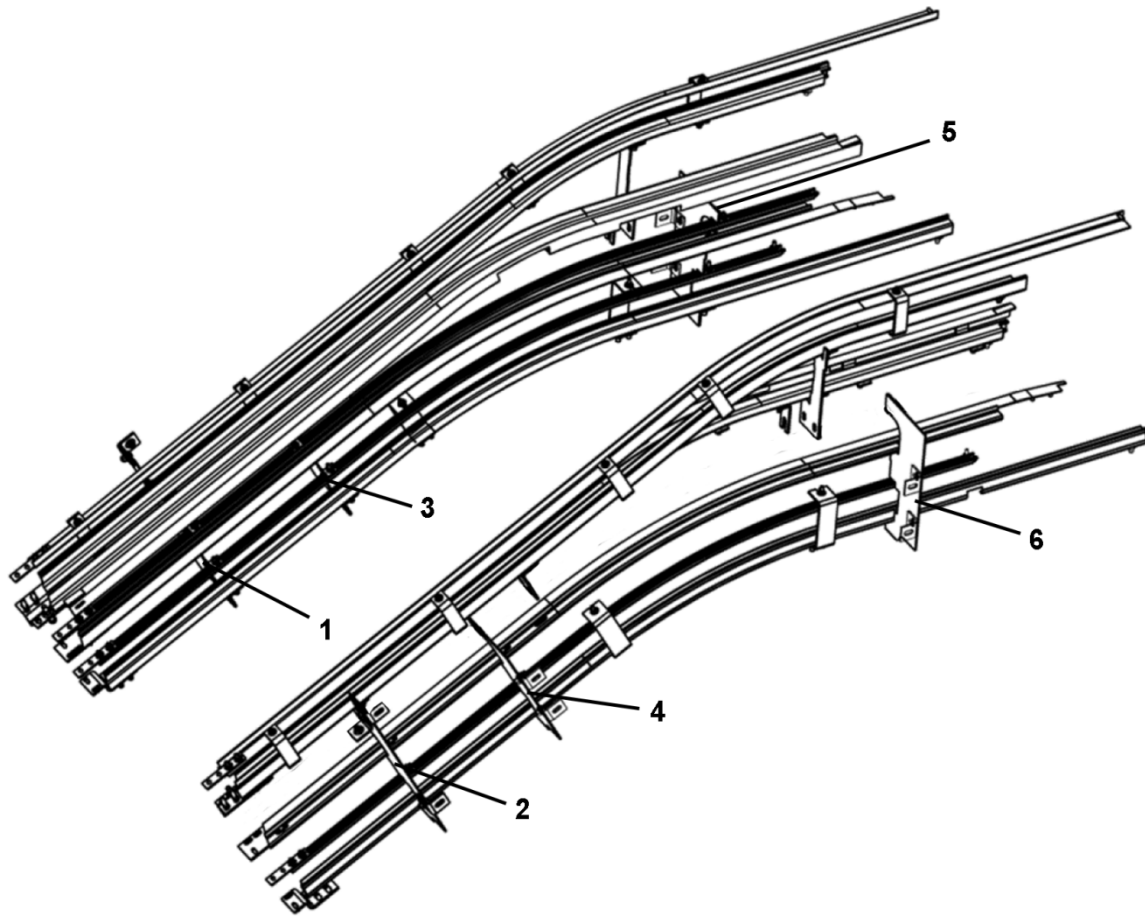
GAA26131E				
REF. No.	PART No.	DESCRIPTION	LENGTH	PROFILE
1	156-141	Track, Bi-level, for Passenger Line, Left and Right, See NOTE	6000	GOA50FK
2	1S-GO50AAD6000	Track, Step Roller and Chain Roller, for Return Side, Left and Right, See NOTE	6000	GO50AAD
3	GO50WH1	Track, Upthrust, See NOTE	6000	GO50WH

NOTE: This part to be cut to suit during installation.

506NCE Track, Upper Landing Turnaround

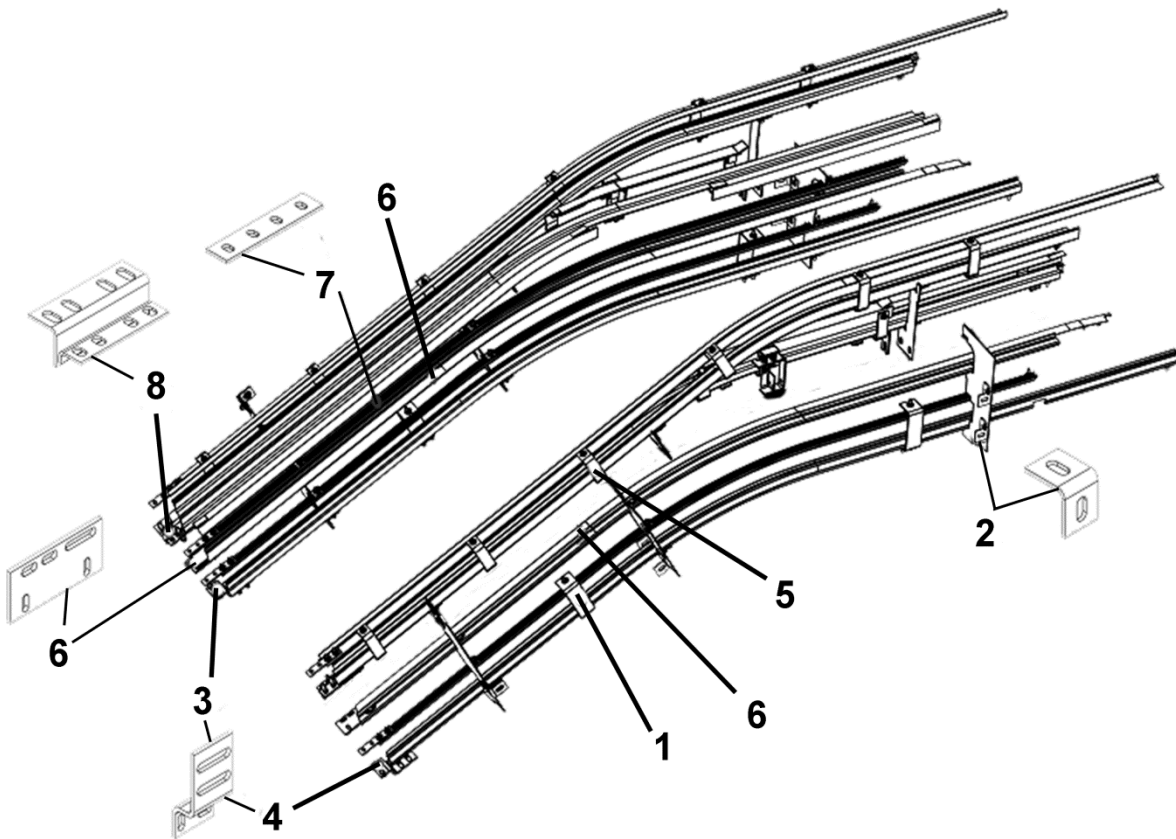


GAA26131E			
REF. No.	PART No.	DESCRIPTION	LENGTH (mm)
1	GAA272DWD3	Angle, Left Side	410
2	GAA272DWD4	Angle, Right Side	410
3	GAA316CDY1	Bracket, Turnaround U-Track Connector, Left Side	652
4	GAA316CDY2	Bracket, Turnaround U-Track Connector, Right Side	652
5	GAA483CBK1	Track, Step Roller Turnaround, U-Shape, Left Side	510
6	GAA483CBK2	Track, Step Roller Turnaround, U-Shape, Right Side	510
7	GOA483YC1	Track, Transition, Passenger Side Connecting Platform, Left Side	315
8	GOA483YC2	Track, Transition, Passenger Side Connecting Platform, Right Side	315
9	GAA483CBH1	Track, Transition, Return Side Connecting Platform, Left Side	450
10	GAA483CBH2	Track, Transition, Return Side Connecting Platform, Right Side	450



Upper Landing Brackets, for Both Two and three Flats Steps

REF. No.	PART No.	DESCRIPTION
	GAA26131E	
1	GAA318VA101	Holder, Track, Left Side
2	GAA318VA102	Holder, Track, Right Side
3	GAA318TW101	Holder, Track, Left Side
4	GAA318TW102	Holder, Track, Right Side
5	GAA318MW101	Holder, Track, Left Side
6	GAA318MW102	Holder, Track, Right Side

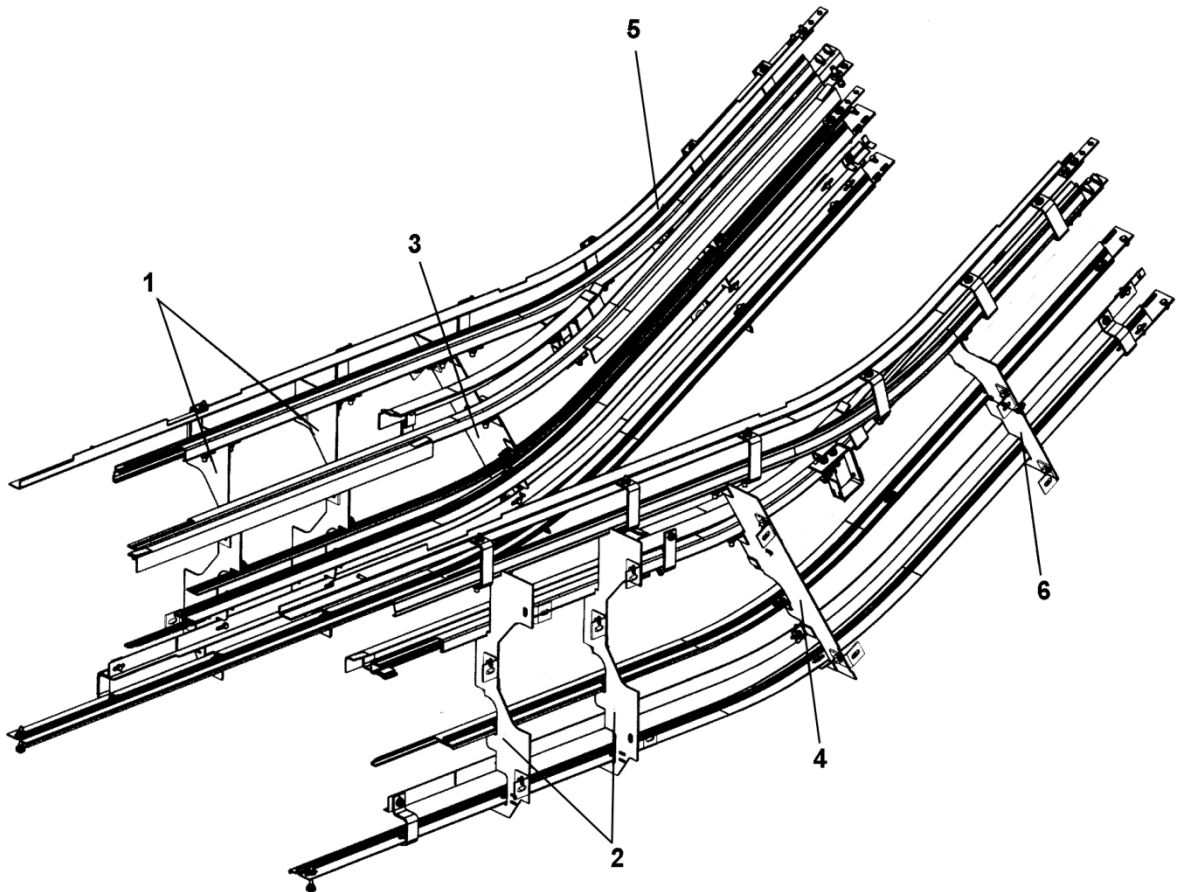


Upper Landing Brackets, for Both Two and Three Flat Steps

REF. No.	PART No.	DESCRIPTION
	GAA26131E	
1	GO318CB6	Bracket, for Return Side Chain Roller Upthrust
2	GAA283AZL1	Bracket, for Mounting Track Holder to Truss
3	GAA180AZS1	Holder, for Return Side Chain Wheel Track, Left Side
4	GAA180AZS2	Holder, for Return Side Chain Wheel Track, Right Side
5	GAA180BAT1	Holder, for Passenger Side Chain Roller Upthrust
6	GAA299ATJ1	Plate, Splice, for Return Side Step and Chain Roller Tracks
7	DAA298AC1	Plate, Splice, for Return Side Upthrust
8	GBA283AYY1	Splice, for Passenger Side Step and Chain Roller Tracks

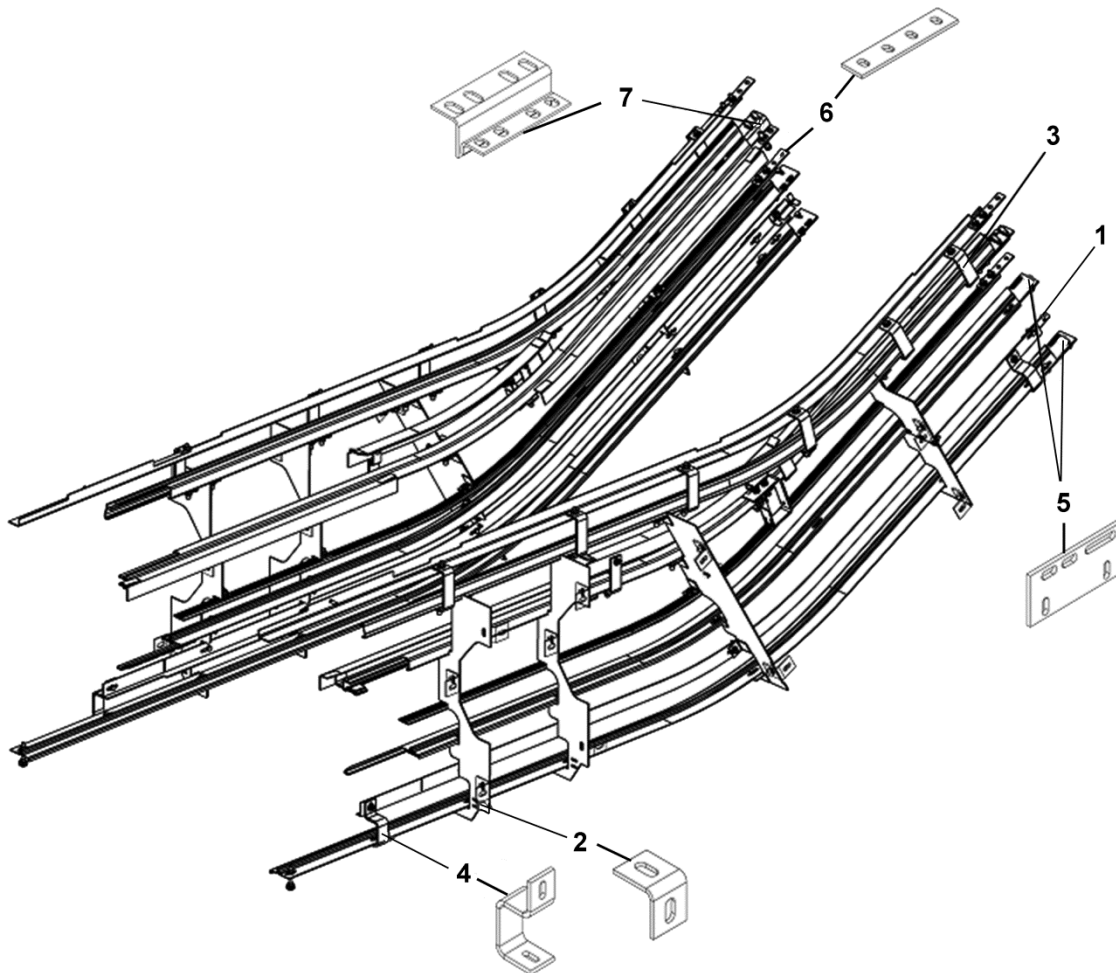
506NCE Track Lower Landing, Brackets

52-GAA26131E



Lower Landing Brackets, for Both Two and Three Flat Steps

REF. No.	PART No.	DESCRIPTION
	GAA26131E	
1	GAA318MZ101	Holder, Track, Left Side
2	GAA318MZ102	Holder, Track, Right Side
3	GAA318NA101	Holder, Track, Left Side
4	GAA318NA102	Holder, Track, Right Side
5	GAA318NB101	Holder, Track, Left Side
6	GAA318NB102	Holder, Track, Right Side

506NCE Track Lower Landing,
Brackets

Lower Landing Brackets, for Both Two and Three Flat Steps

REF. No.	PART No.	DESCRIPTION
	GAA26131E	
1	GAA283BCE1	Angle, for Return Side Step Chain Roller Tracks
2	GAA283AZL1	Bracket, for Mounting Track Holder to Truss
3	GAA180BAT1	Holder, for Passenger Side Chain Roller Upthrust
4	GAA180AZT1	Holder, for Return Side Chain Wheel Track
5	GAA299ATJ1	Plate, Splice, for Return Side Step and Chain Roller Tracks
6	DAA298AC1	Plate, Splice, for Return Side Upthrust
7	GBA283AYY1	Splice, for Passenger Side Step and Chain Roller Tracks