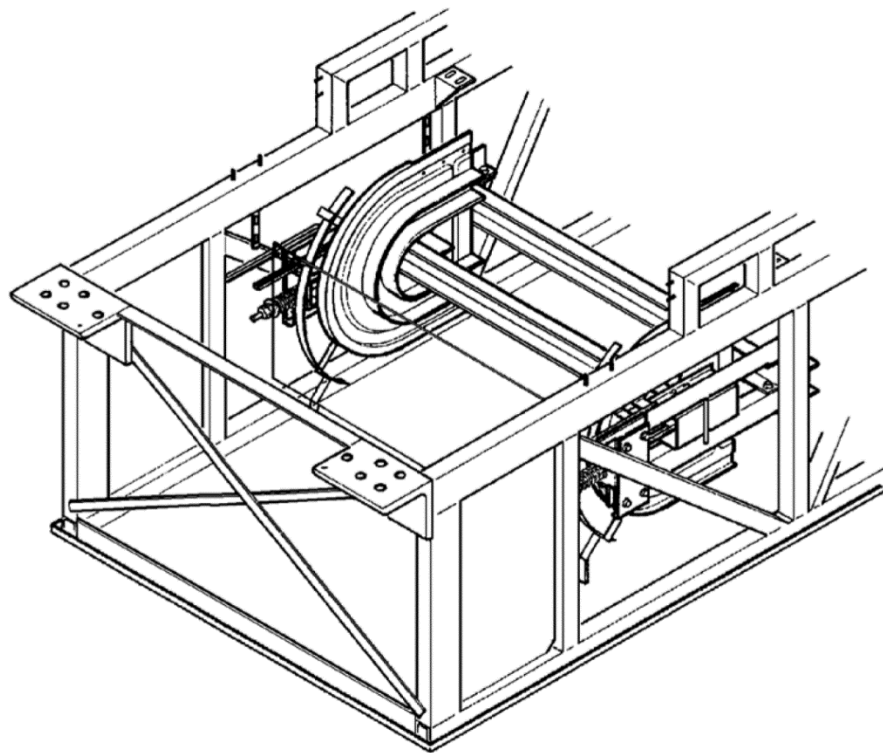
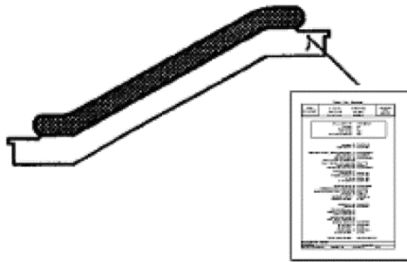


**Trav-O-Lator 606 / 606NCT
Escalator 506 / 505SL /
506NCE / 508NCE / 512NCE
Tension Carriage**

**Spare Parts Leaflet
52-GAA26160B**

October 31, 2014 / Page 1 of 3



OTIS

**SERVICE ENGINEERING
Otis Elevator Company
GUANGZHOU CHINA**

Unpublished Work—© Otis Elevator Co.; 2014

Leaflet Description

Tension carriage for Trav-O-Lator 606 / 606NCT & escalator 506 / 505SL / 506NCE / 508NCE / 512NCE.

Leaflet Revisions

Date Revised	Subject Matter Expert	Reason for Revision
2009-05-08	Wan, Ji An	Original document
2010-03-30	Wan, Ji An	Add product types travolator 606/606NCT & escalator 506/506SL/506NCE
2014-10-31	Gao, Yinglin	Superseded DAA26160K1/2/3/4/5/6

Related Drawings

Drawing No.	Title	Drawing No.	Title
GAA26160B	Tension Carriage		

Related Documents

Document ID	Title
BOM GAA26160B	Tension Carriage

Subject Matter Expert

Name	Department
Wan, Ji An	SIT-GUANGZHOU

About Spare Parts Leaflets...

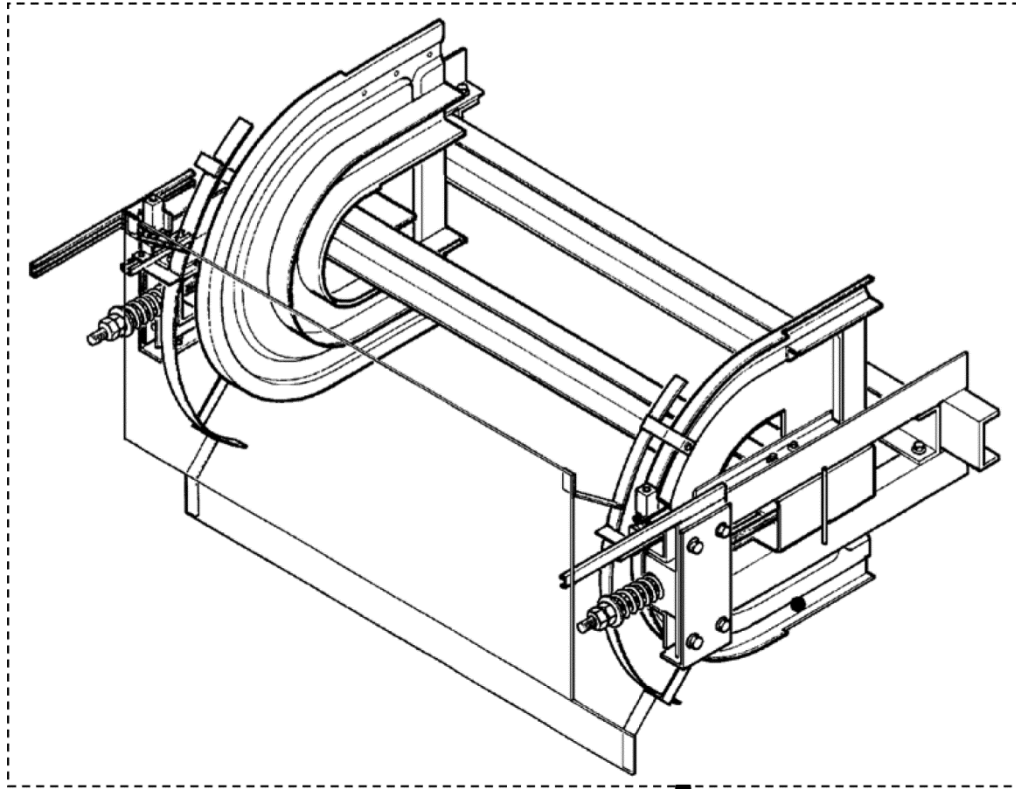
This document lists the lowest replaceable units (LRUs) for the standard version of the product. The LRUs are chosen by a team of Otis associates representing engineering and manufacturing.

While goal of this document is to make parts identification as easy as possible, the document cannot be all-inclusive. Elevator and escalator contracts classified as "special" or "custom" are not addressed here. For such contracts, please refer to specified information, the contract folder, TIPs, Field Education Articles, Construction Letters, etc. for further information.

If you have any suggestions about this document, please contact the subject matter expert listed on this page.

506 / 505SL / 506NCE / 508NCE /

512NCE Tension Carriage



1-6

GAA26160B		
REF. No.	PART No.	DESCRIPTION
1	DAA26160K1 GAA26160B1	Tension Carriage 600 Indoor
2	DAA26160K2 GAA26160B2	Tension Carriage 800 Indoor
3	DAA26160K3 GAA26160B3	Tension Carriage 1000 Indoor
4	DAA26160K4 GAA26160B4	Tension Carriage 600 Outdoor
5	DAA26160K5 GAA26160B5	Tension Carriage 800 Outdoor
6	DAA26160K6 GAA26160B6	Tension Carriage 1000 Outdoor