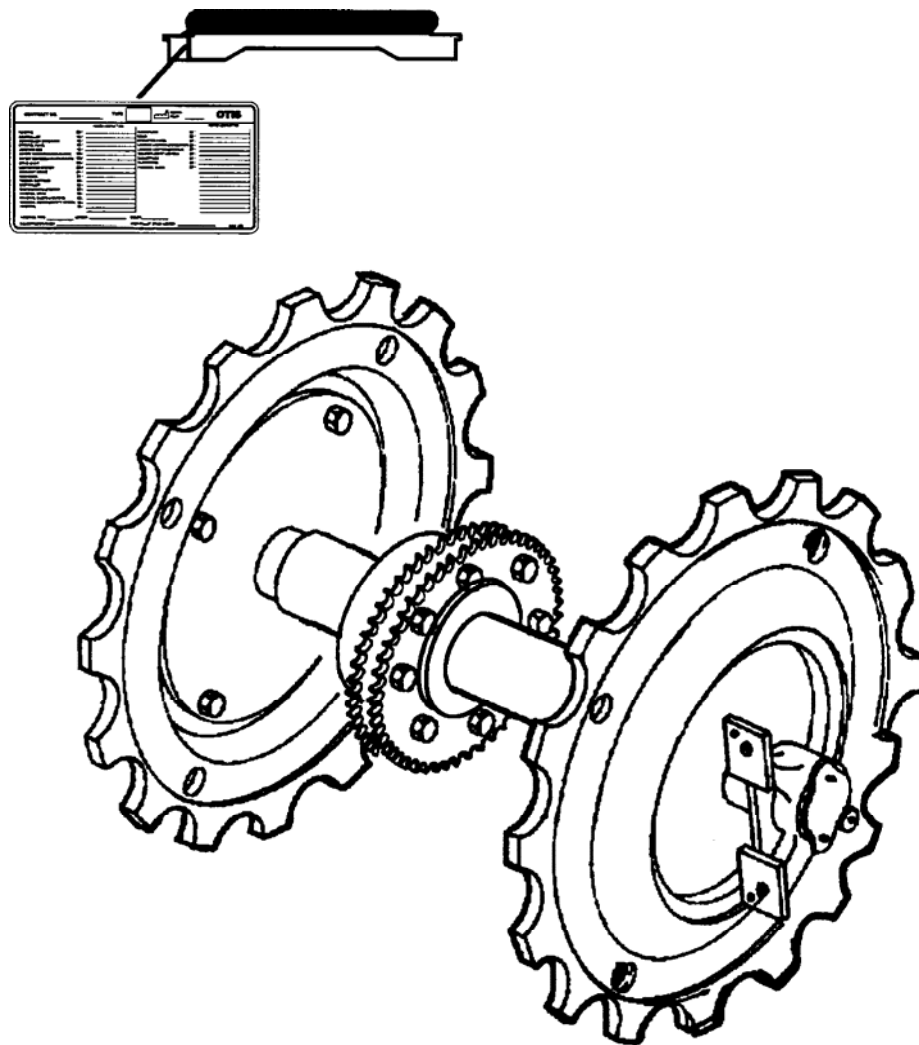


Trav-O-Lator 606 NCT
Tension Carriage

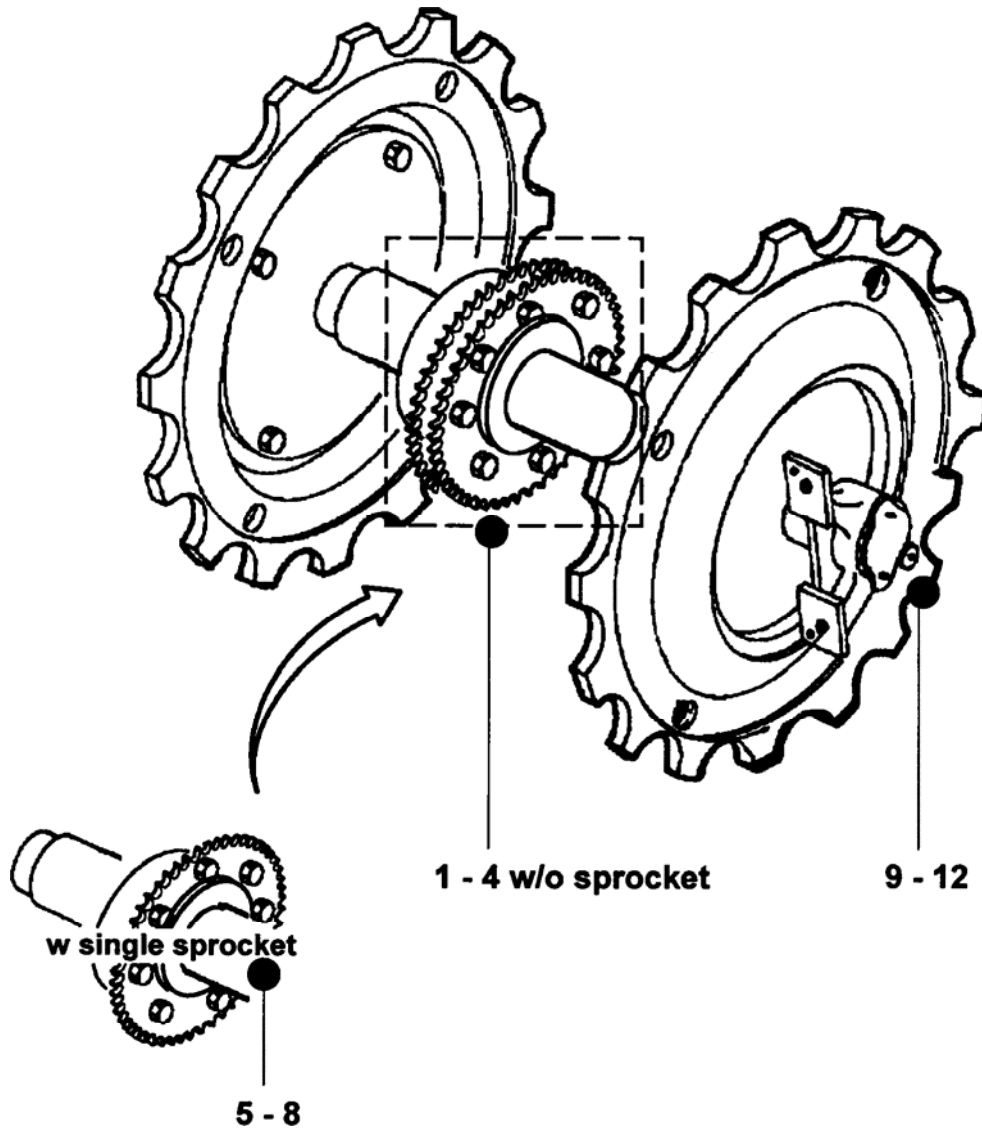
Spare Parts Leaflet

52-G..26360B

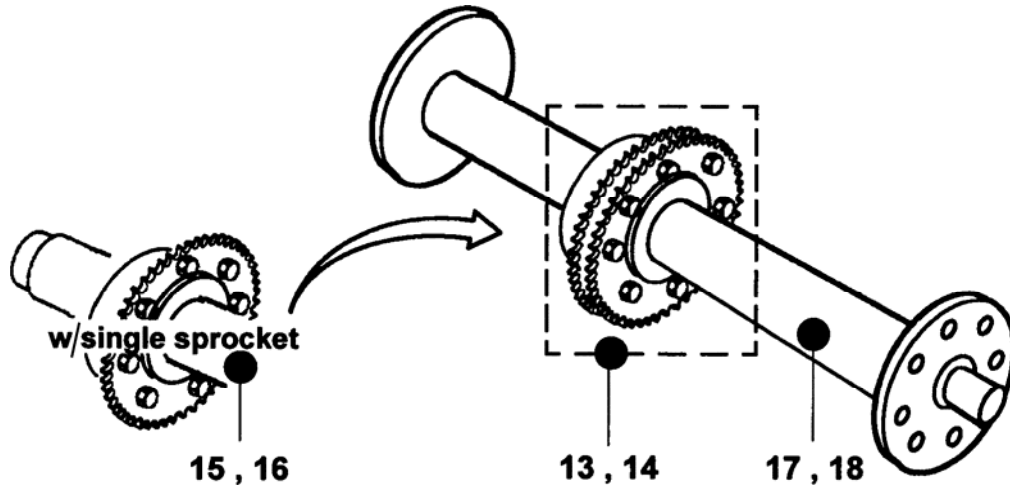
April 2000 / Page 1 of 4



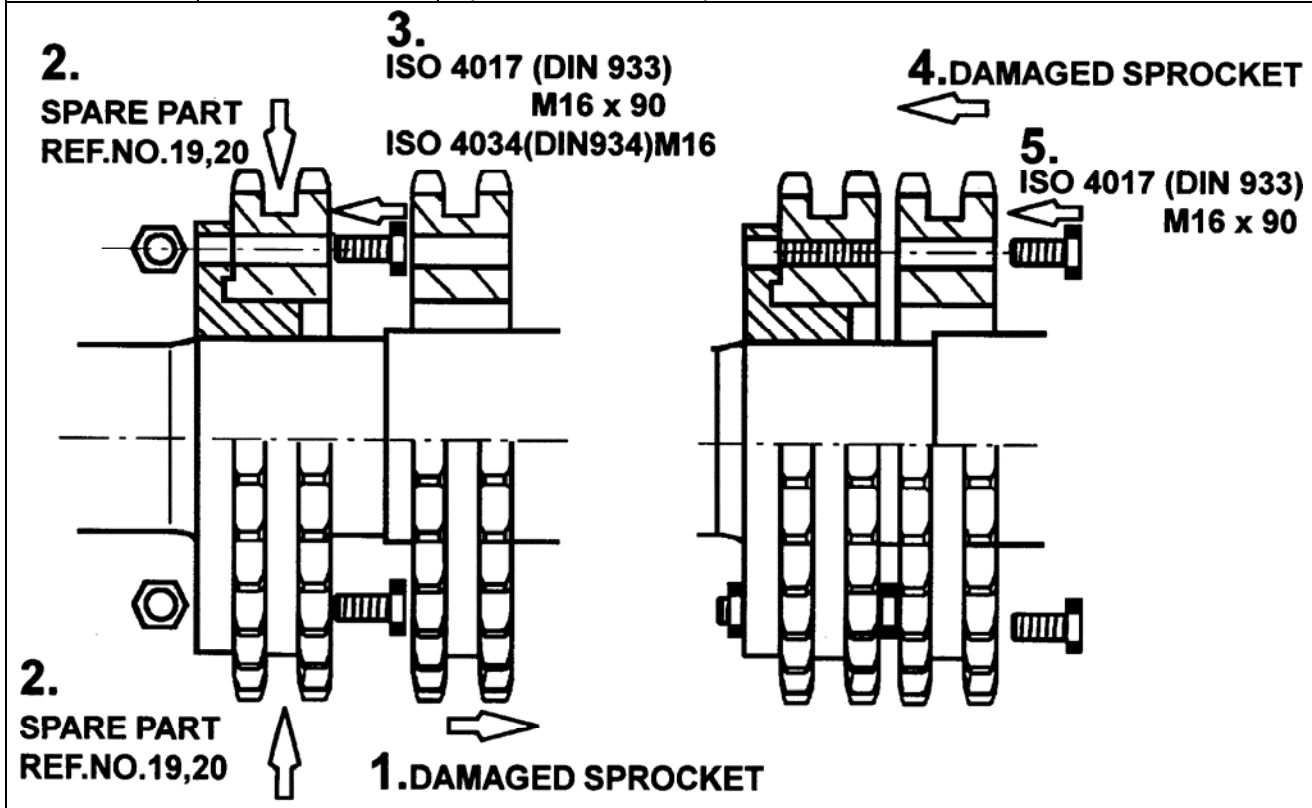
OTIS

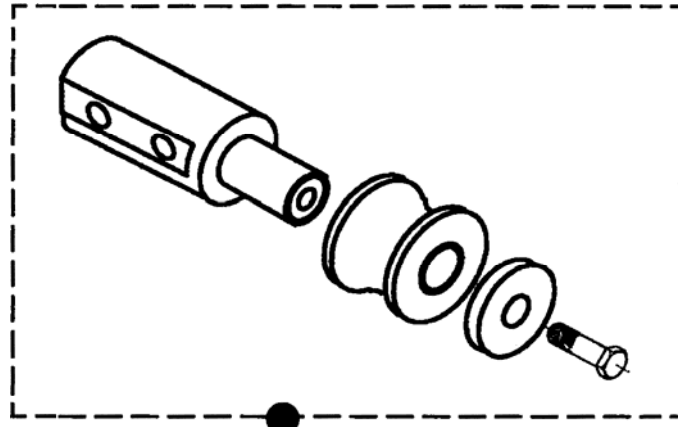


GAA26360B				
REF. No.	PART No.	DESCRIPTION		
1	GAA494LA1	Shaft Type 1000	indoor	w/o Sprocket
2	GAA494LA2	Shaft Type 800		
3	GAA494LA3	Shaft Type 1000		
4	GAA494LA4	Shaft Type 800		
5	GAA494LA5	Shaft Type 1000	indoor	w/Single Sprocket
6	GAA494LA6	Shaft Type 800		
7	GAA494LA7	Shaft Type 1000		
8	GAA494LA8	Shaft Type 800		
9	GAA494LA9	Shaft Type 1000	indoor	w/Duplex Sprocket
10	GAA494LA10	Shaft Type 800		
11	GAA494LA11	Shaft Type 1000		
12	GAA494LA12	Shaft Type 800		



GAA26360B		DESCRIPTION		
REF. No.	PART No.			
13	GAA494LB1	Shaft Type 1000	w/o Sprocket	w/o Bearing
14	GAA494LB2	Shaft Type 800		
15	GAA494LB3	Shaft Type 1000	w/Single Sprocket	
16	GAA494LB4	Shaft Type 800		
17	GAA494LB5	Shaft Type 1000	w/Duplex Sprocket	
18	GAA494LB6	Shaft Type 800		
19	GAA195MT1	Sprocket Divided, Single		
20	GAA195MT2	Sprocket Divided, Duplex		

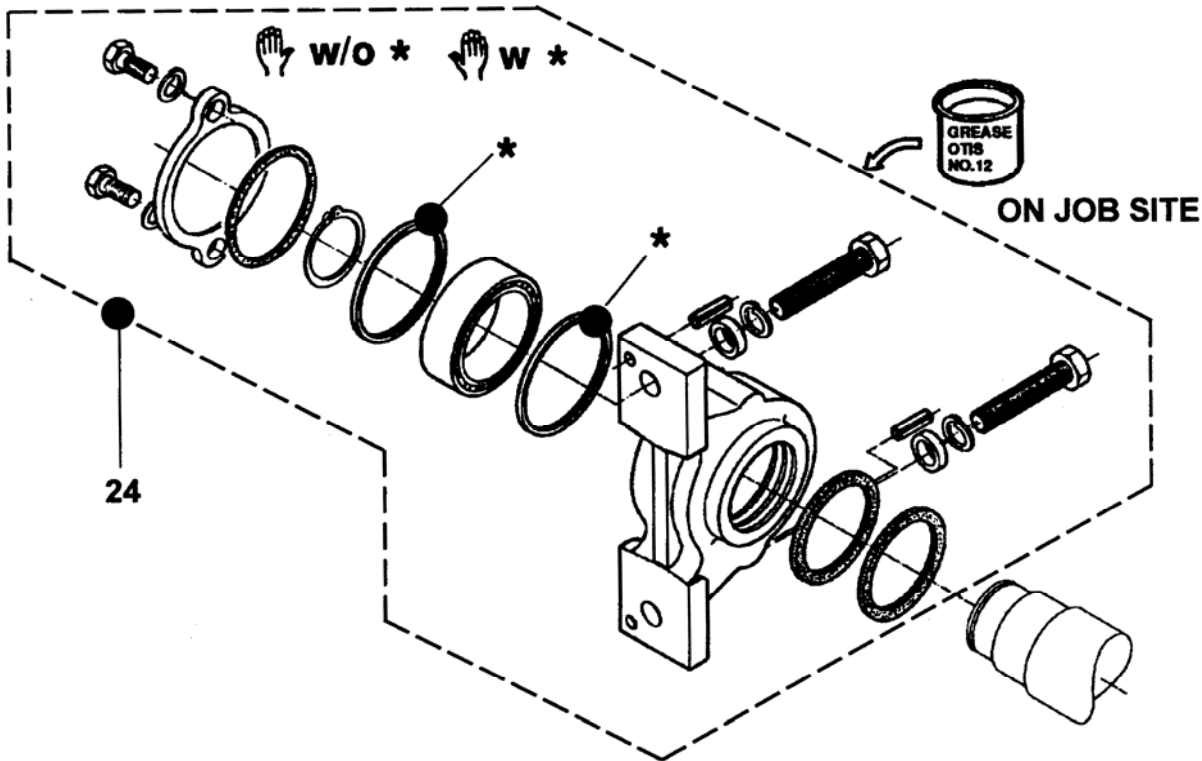




23

GAA26360B

REF. No.	PART No.	DESCRIPTION
23	GAA456CP1	Roller Complete



24

GAA26360B

REF. No.	PART No.	DESCRIPTION
24	GO2215H13	Bearing Complete,