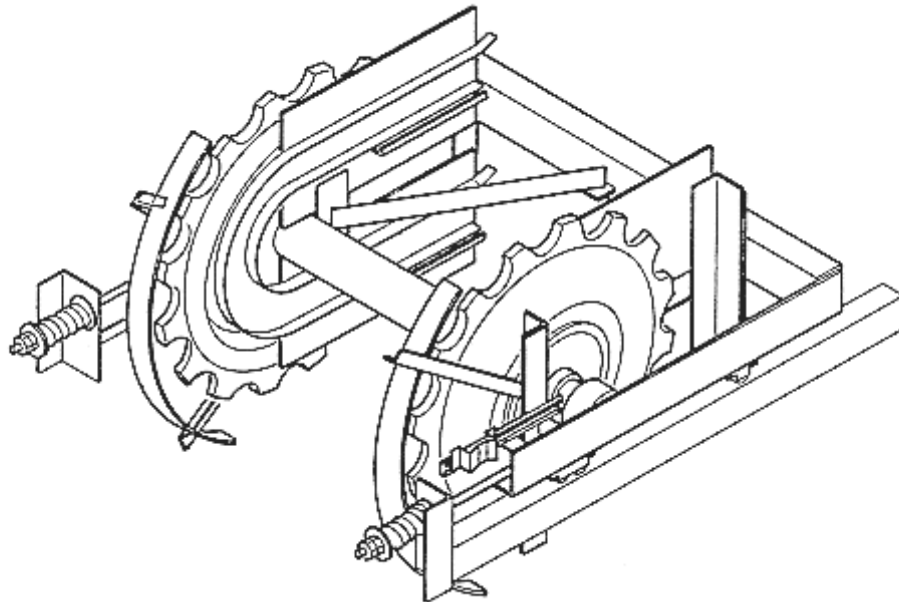
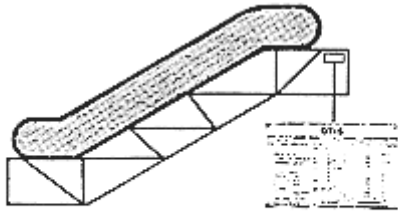


SPL 52-GO9704G - Tension Carriage

Unpublished Work - © Otis Elevator Company. Any unauthorized reproduction, disclosure, or distribution of copies or content by any person of any portion of this work may be a violation of Copyright Law of the United States of America. All rights reserved.

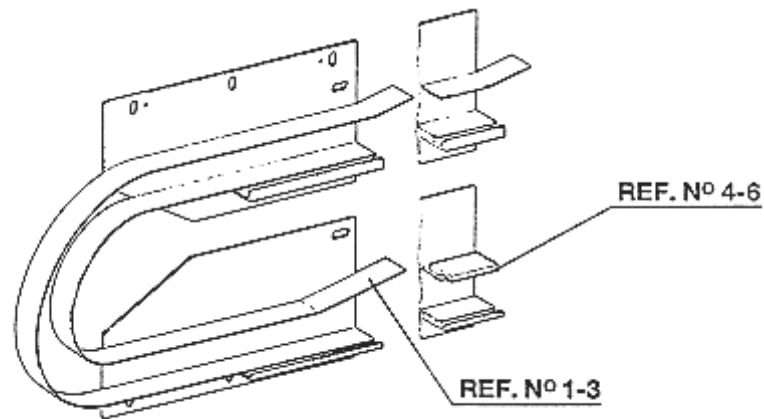
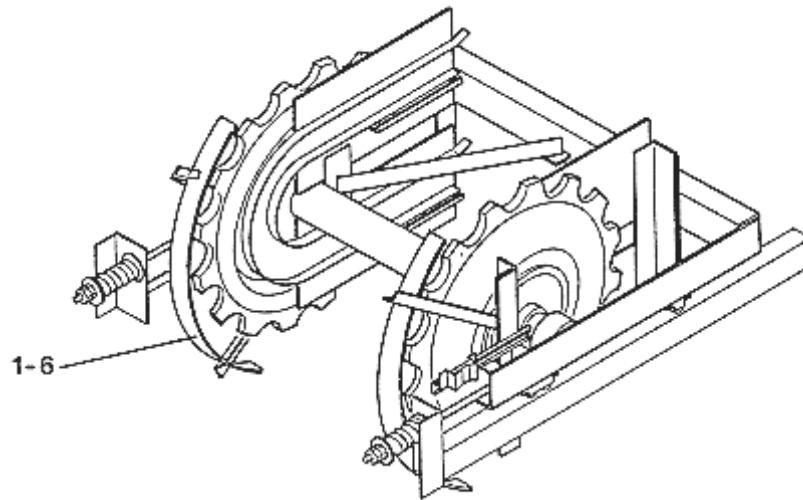
OTIS 510
November 1986

Page 1



SPL 52-GO9704G - Tension Carriage

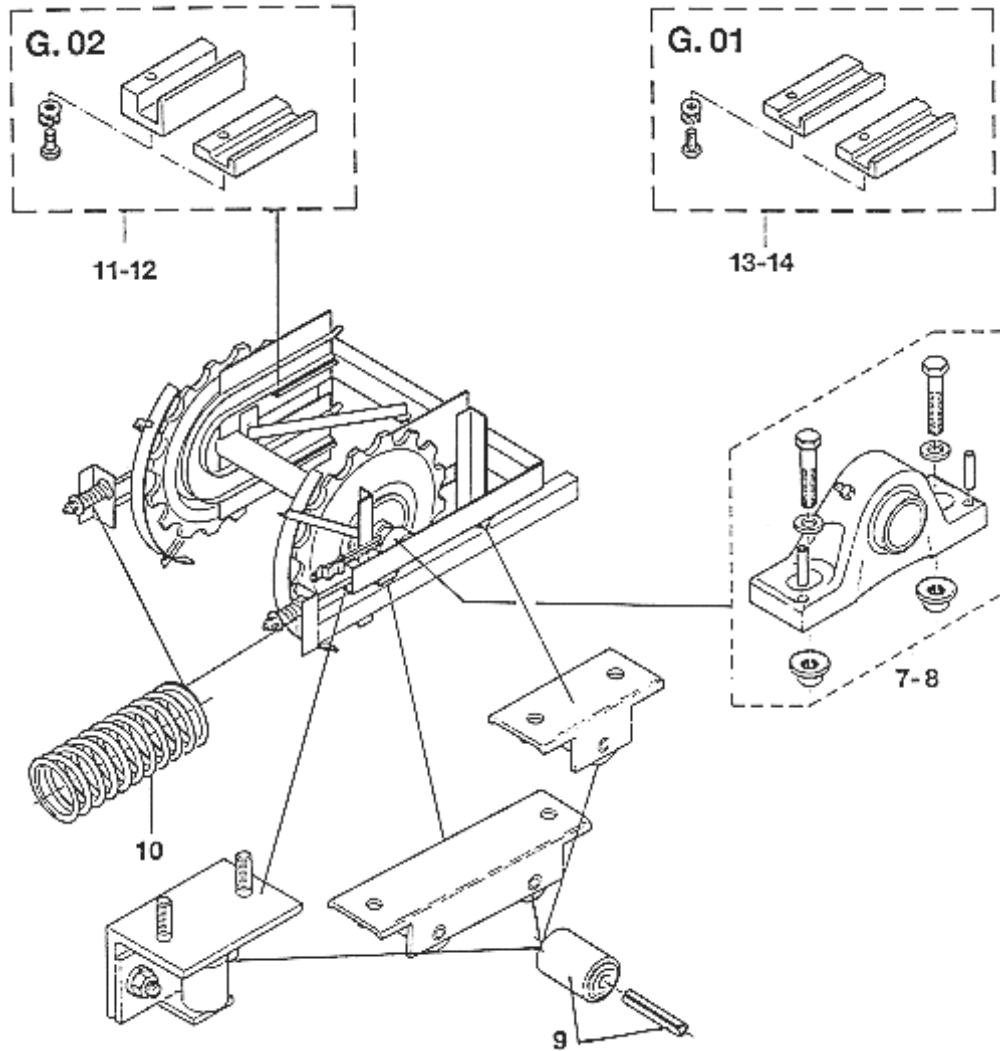
Page 2



VINTAGE G. 01, G. 02				
REF. N°	PART OR ML	DESCRIPTION		TYPE
1	GOA9704G5	Tension carriage compl.		600
2	GOA9704G6	Tension carriage compl.		800
3	GOA9704G8	Tension carriage compl.		1000
4	GOA9704G15	Tension carriage compl.	only for	600
5	GOA9704G16	Tension carriage compl.	closed track system	800
6	GOA9704G18	Tension carriage compl.		1000

SPL 52-GO9704G - Tension Carriage

Page 3



VINTAGE			
	G.01	G.02	
REF. N°	PART OR ML	PART OR ML	DESCRIPTION
7	GO2215R32		Bearing compl. & Hardware for fastening Left hand
8	GO2215R33		gearing compl. & Hardware for fastening Right hand
9	GO2215P4		Roller & adapter sleeve
10	90AD10		Spring
11		GO2215R35	Transition track only for closed track system
12		GO2215R36	transition track
13	GO2215R37		transition track
14	GO2215R38		transition track only for closed track system