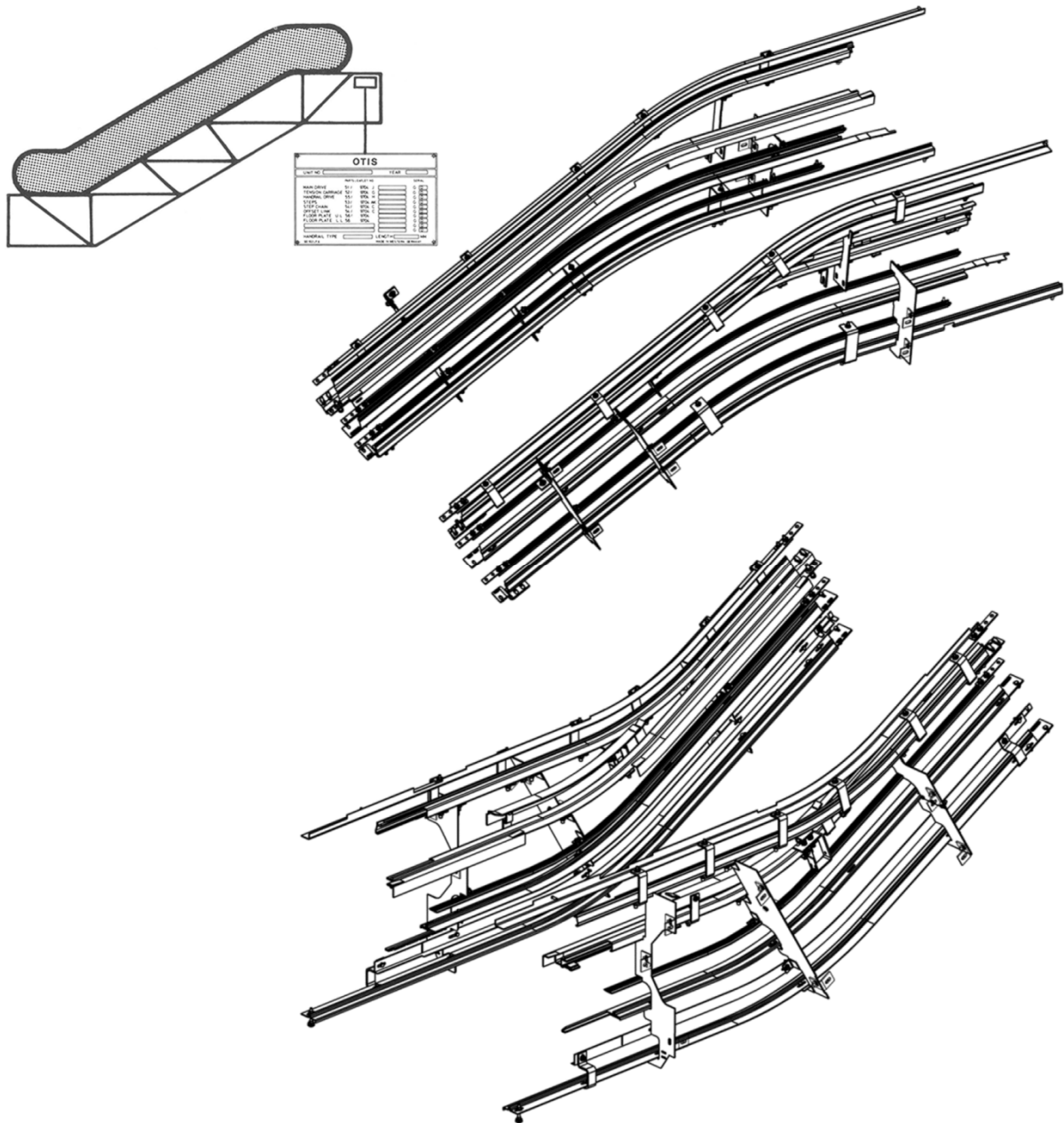


# Track 510 NAO Escalator

## Spare Parts Leaflet 52-NGOA9704EB

April 7, 2021 / Page 1 of 13



# OTIS

This document does not contain any technical data subject to EAR or ITAR

**SERVICE ENGINEERING**  
**Otis Elevator Company**  
**Bloomfield, Connecticut USA**

Unpublished Work—© Otis Elevator Co.; 2021

**Leaflet Description**

This SPL defines spare parts for the track system of the 510-S and the 510-SR escalator that was produced in the Stadthagen Germany factory between 1982 and 1994. The tracks for the 510-M, 510-L, & 510-E will need to be identified on a per contract basis. The standard arrangement of the 510 was produced with two or three flat steps. These units have a vintage tag in the upper landing, as seen below, that identifies them as a model 510, but it does not include a reference for the tracks.



**Leaflet Revisions**

Date Revised	Subject Matter Expert	Reason for Revision
December 6, 2017	Shawn Sweeney and Tom Charney	New SPL
April 7, 2021	Shawn Sweeney	Corrected Ref. 2 on p. 5

**Related Drawings**

Drawing No.	Title	Drawing No.	Title
NGOA9704EB	510 NAO Escalator Track	NGOA9704FB	510 NAO Escalator Track
NGOA9704DK	510 NAO Escalator Track		

**Related Documents**

Document ID	Title
AAA27076M22	510 Escalator Field Installation Manual, 1985
AAA27076M23	510 Escalator Field Installation Drawings, 1985

**Subject Matter Expert**

Name	Department
Shawn Sweeney	OSC Service Engineering

**About Spare Parts Leaflets...**

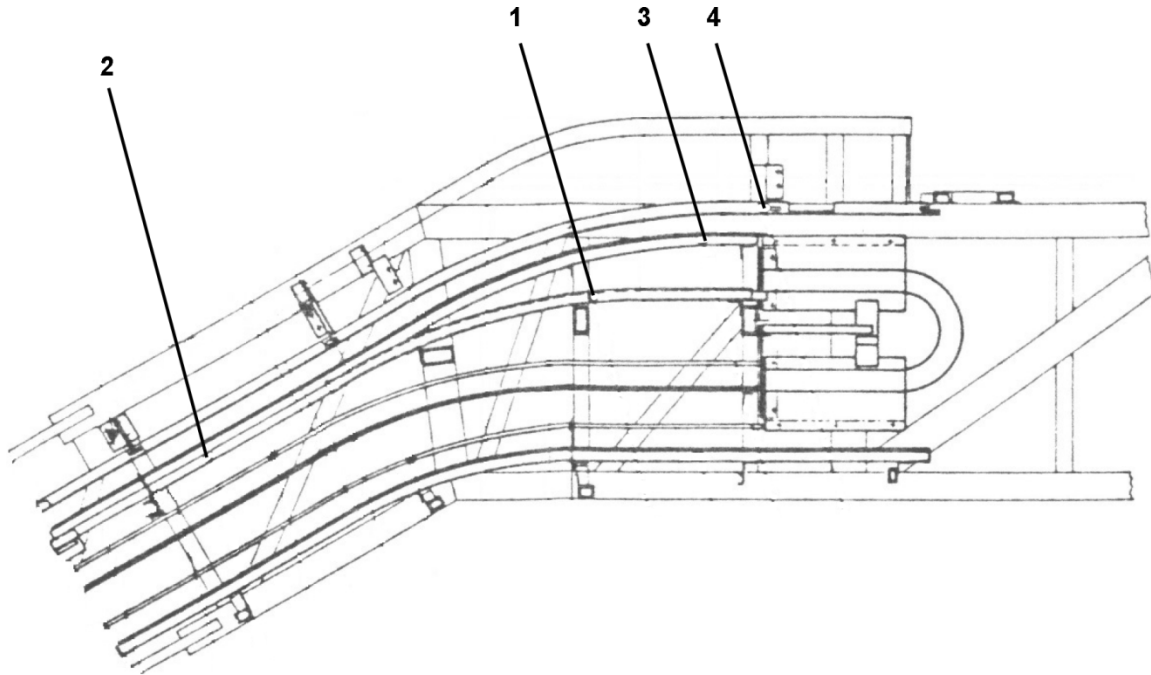
This document lists the lowest replaceable units (LRUs) for the standard version of the product. The LRUs are chosen by a team of Otis associates representing engineering and manufacturing.

While goal of this document is to make parts identification as easy as possible, the document cannot be all-inclusive. Elevator and escalator contracts classified as “special” or “custom” are not addressed here. For such contracts, please refer to specified information, the contract folder, TIPs, Field Education Articles, Construction Letters, etc. for further information.

If you have any suggestions about this document, please contact the subject matter expert listed on this page.

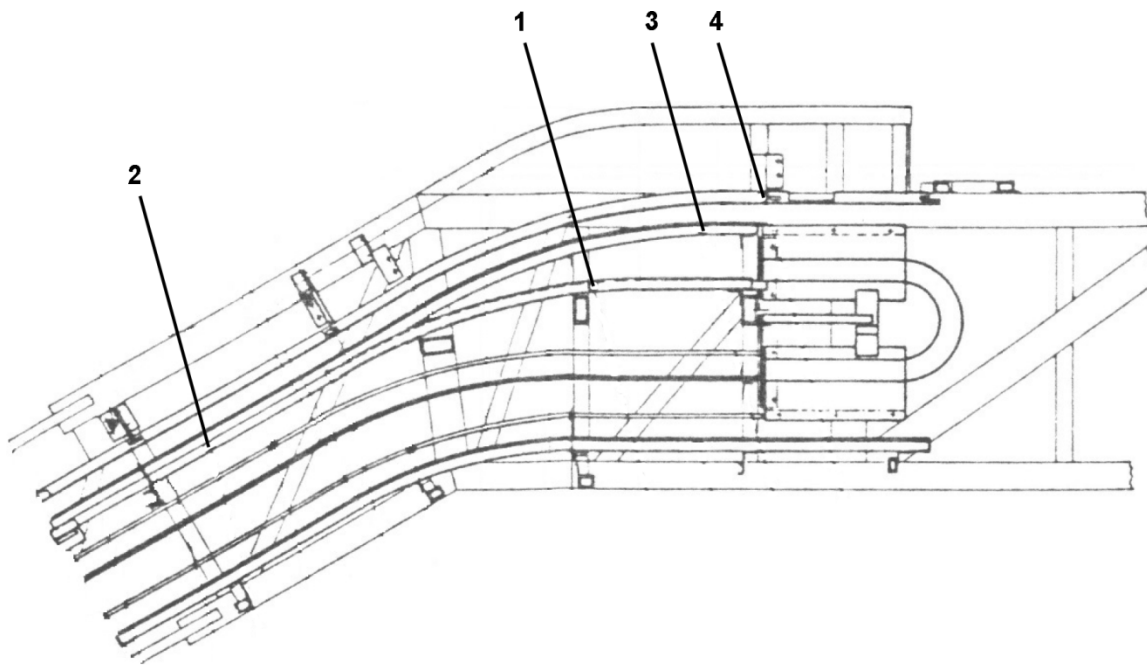
# 510 NAO Track, Upper Landing, Passenger Line, Two Flat Steps



**52-NGOA9704EB**



<b>W/O VINTAGE</b>				
<b>REF. No.</b>	<b>PART No.</b>		<b>DESCRIPTION</b>	<b>Approx. Length (mm)</b>
	<b>L</b> 	<b>R</b> 		
1	GO483ACB1 GO483ACB5	GO483ACB2 GO483ACB6	Step Upthrust, Curved	1227
2	GO483ACA1	GO483ACA2	Track, Step Roller	2500
3	GO483ABY1	GO483ABY2	Track, Step Chain Roller	2640
4	NGO483ABW1 NGO483ABW5	NGO483ABW2 NGO483ABW6	Track, Step Chain Roller Upthrust, (Opaque Balustrade)	3290
	NGO483ACK1 NGO483ACK5	NGO483ACK2 NGO483ACK6	Track, Step Chain Roller Upthrust, (Glass Balustrade)	

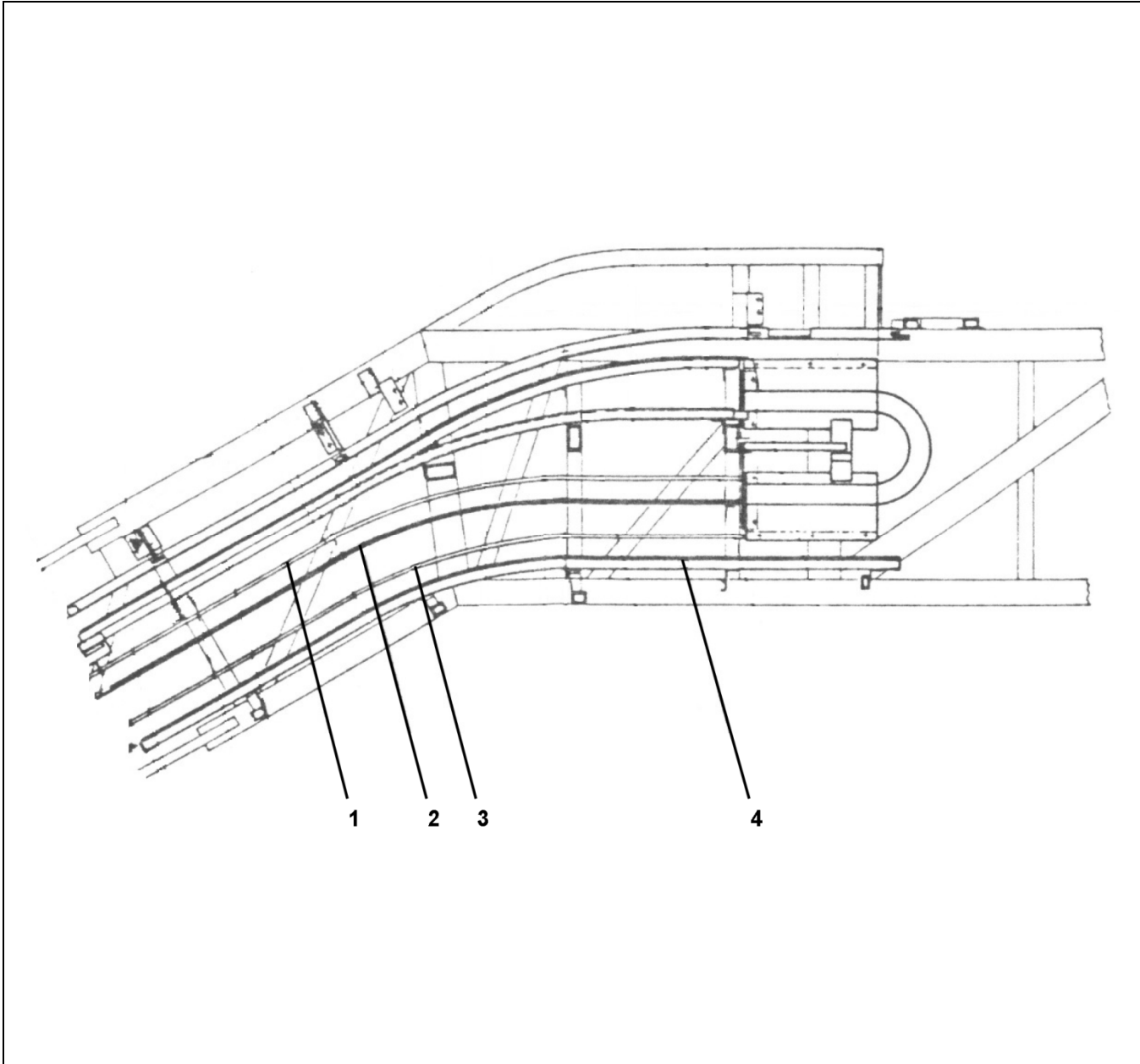
**510 NAO Track, Upper Landing,  
Passenger Line, Three Flat Steps**





REF. No.	W/O VINTAGE		DESCRIPTION	Approx. Length (mm)
	PART No.			
	L 	R 		
1	GO483ACB3 GO483ACB7	GO483ACB4 GO483ACB8	Step Upthrust, Curved	1627
2	GO483ACA3	GO483ACA4	Track, Step Roller	2900
3	GO483ABY3	GO483ABY4	Track, Step Chain Roller	3040
4	NGO483ABW7	NGO483ABW8	Track, Step Chain Roller Upthrust	3690

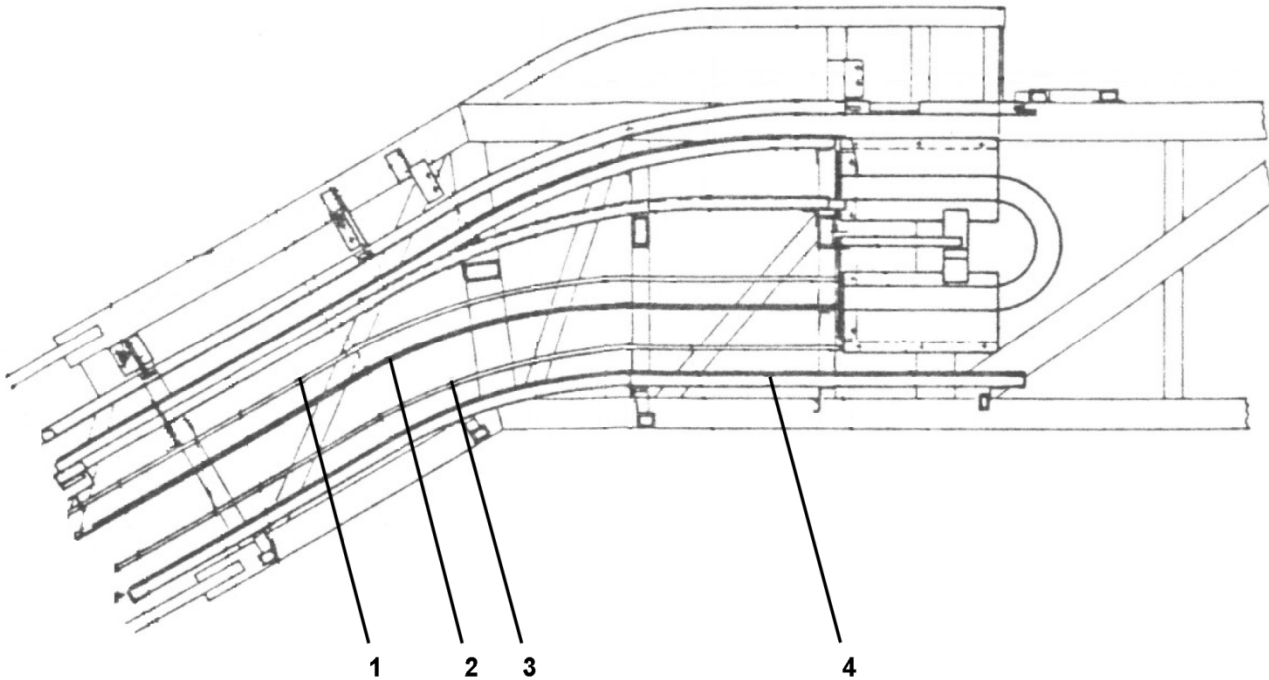
# 510 NAO Track, Upper Landing, Return Line, Two Flat Steps



**52-NGOA9704EB**



REF. No.	W/O VINTAGE		DESCRIPTION	Approx. Length (mm)
	PART No.			
	L 	R 		
1	NGOA483ABH4	---	Track, Step Roller Upthrust, (Left Side Only)	2828
2	GOA483ACC1	GOA483ACC2	Track, Step Roller	2428
3	NGO483ABH3		Track, Step Chain Roller Upthrust	2312
4	GO483ACD3	GO483ACD4	Track, Step Chain Roller	3270

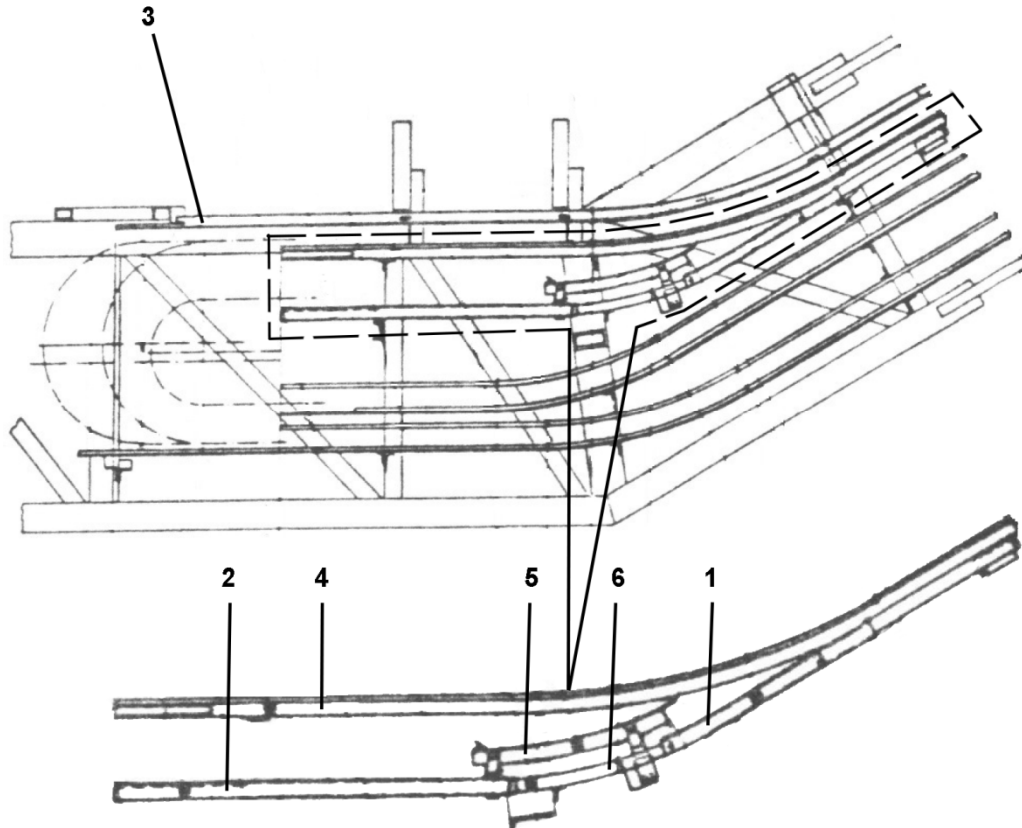
**510 NAO Track, Upper Landing,  
Return Line, Three Flats Steps**





REF. No.	W/O VINTAGE		DESCRIPTION	Approx. Length (mm)
	PART No.			
	L 	R 		
1	NGOA483ABH4	---	Track, Step Roller Upthrust, (Left Side Only)	2828
2	GOA483ACC3	GOA483ACC4	Track, Step Roller	2828
3	NGO483ABH3		Track, Step Chain Roller Upthrust	2312
4	GO483ACD3	GO483ACD4	Track, Step Chain Roller	3270

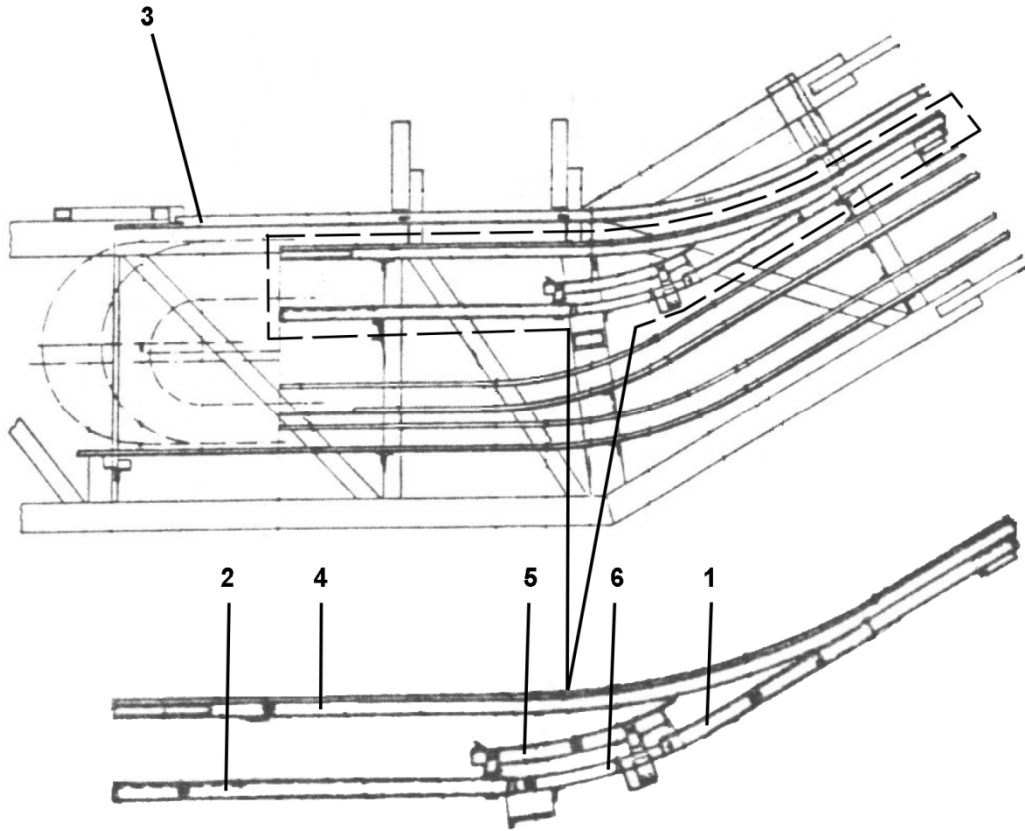
# 510 NAO Track, Lower Landing, Passenger Line, Two Flat Steps



**52-NGOA9704EB**



<b>W/O VINTAGE</b>				
<b>REF. No.</b>	<b>PART No.</b>		<b>DESCRIPTION</b>	<b>Approx. Length (mm)</b>
	<b>L</b> 	<b>R</b> 		
1	GO483ADV4 GO483ADV7	GO483ADV2 GO483ADV8	Step Upthrust, Curved	650
2	GO483ABC17 GO483ABC19	GO483ABC18 GO483ABC20	Step Upthrust, Straight	490
3	NGO483ABP1 NGO483ABP5	NGO483ABP2 NGO483ABP6	Track, Step Chain Roller Upthrust	2399
4	GO483ABR1	GO483ABR2	Track, Step Chain Roller	1875
5	GO483ADS1 GO483ADS3	GO483ADS2 GO483ADS4	Track, Step Roller Upthrust Assembly Complete with Spring and Brackets	572
6	GOA483ABS1	GOA483ABS2	Track, Step Roller	1915

**510 NAO Track, Lower Landing,  
Passenger Line, Three Flat Steps**

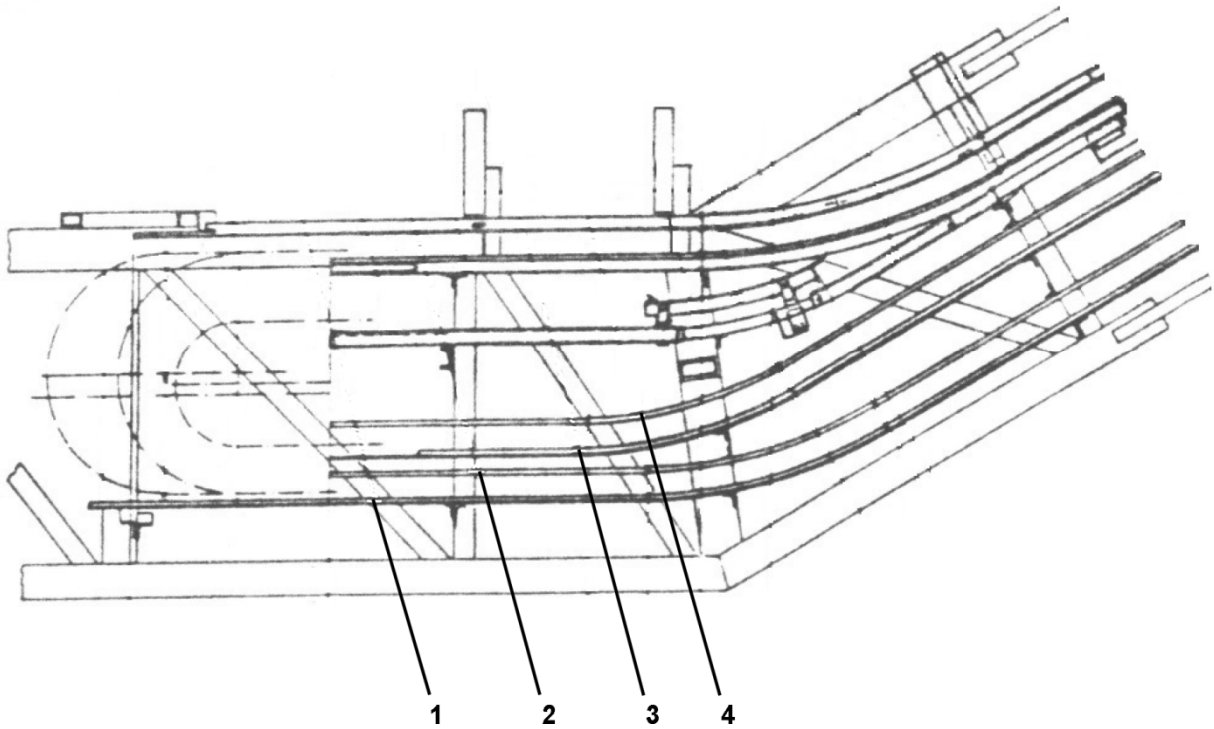




<b>W/O VINTAGE</b>				
<b>REF. No.</b>	<b>PART No.</b>		<b>DESCRIPTION</b>	<b>Approx. Length (mm)</b>
	<b>L</b> 	<b>R</b> 		
1	GO483ADV4 GO483ADV7	GO483ADV2 GO483ADV8	Step Upthrust, Curved	650
2	GO483ABC21 GO483ABC23	GO483ABC22 GO483ABC24	Step Upthrust, Straight	890
3	NGO483ABP3 NGO483ABP7	NGO483ABP4 NGO483ABP8	Track, Step Chain Roller Upthrust	2799
4	GO483ABR3	GO483ABR4	Track, Step Chain Roller	2275
5	GO483ADS1 GO483ADS3	GO483ADS2 GO483ADS4	Track, Step Roller Upthrust Assembly Complete with Spring and Brackets	572
6	GOA483ABS3	GOA483ABS4	Track, Step Roller	2315



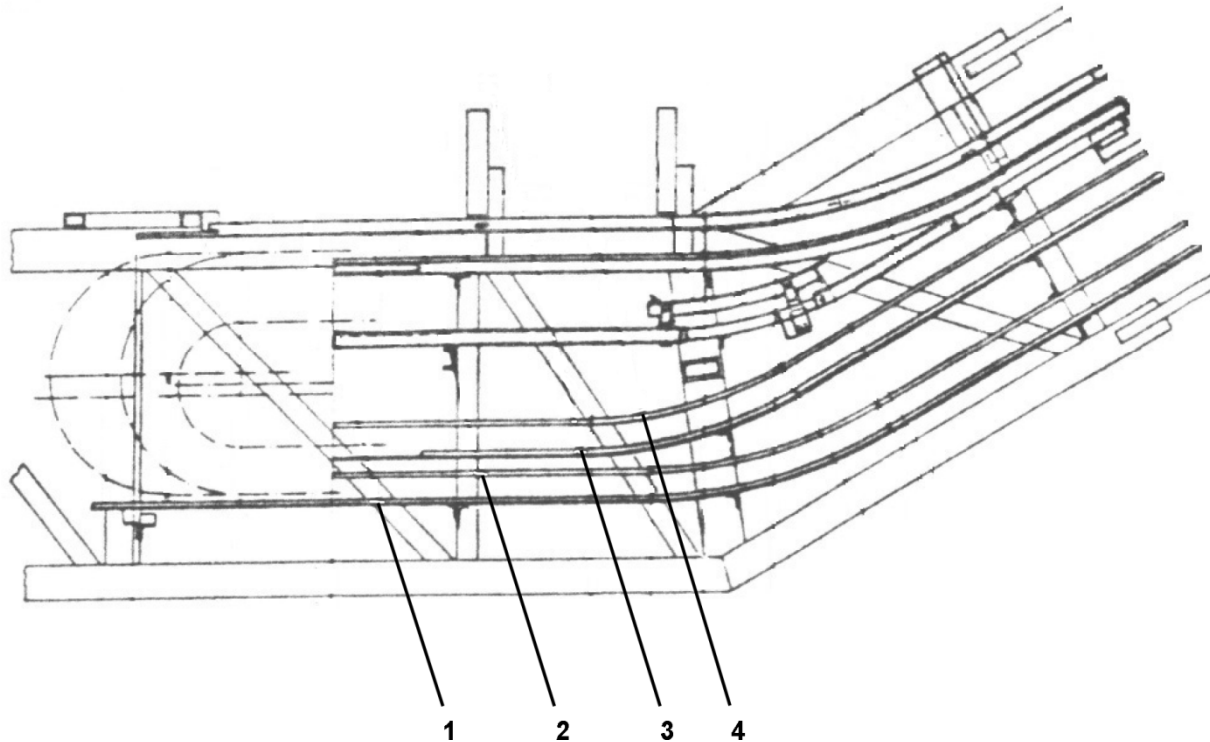
# 510 NAO Track, Lower Landing, Return Line, Two Flat Steps



**52-NGOA9704EB**

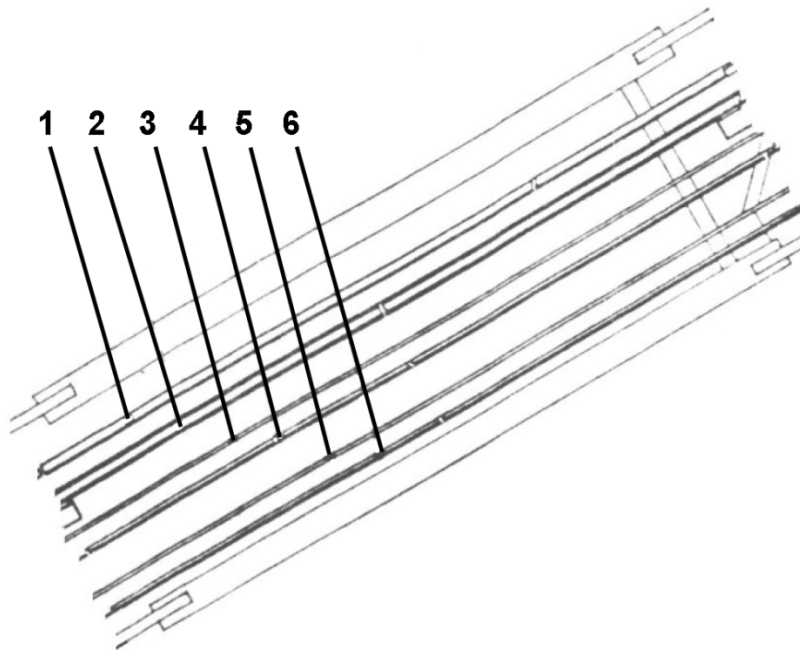





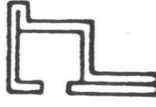
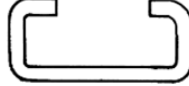


<b>W/O VINTAGE</b>				
<b>REF. No.</b>	<b>PART No.</b>		<b>DESCRIPTION</b>	<b>Approx. Length (mm)</b>
	<b>L</b> 	<b>R</b> 		
1	GO483ACF1	GO483ACF2	Track, Step Chain Roller	2855
2	NGO483ABK1	NGO483ABK2	Track, Step Chain Roller Upthrust	2139
3	GOA483ACE1	GOA483ACE2	Track Step Roller	2098
4	NGOA483ABJ1	---	Track, Step Roller Upthrust, (Left Side Only)	1794

**510 NAO Track, Lower Landing,  
Return Line, Three Flat Steps**



<b>W/O VINTAGE</b>				
<b>REF. No.</b>	<b>PART No.</b>		<b>DESCRIPTION</b>	<b>Approx. Length (mm)</b>
	<b>L</b> 	<b>R</b> 		
1	GO483ACF3	GO483ACF4	Track, Step Chain Roller	3255
2	NGO483ABK3	NGO483ABK4	Track, Step Chain Roller Upthrust	2539
3	GOA483ACE3	GOA483ACE4	Track Step Roller	2463
4	NGOA483ABJ2	---	Track, Step Roller Upthrust, (Left Side Only)	1794

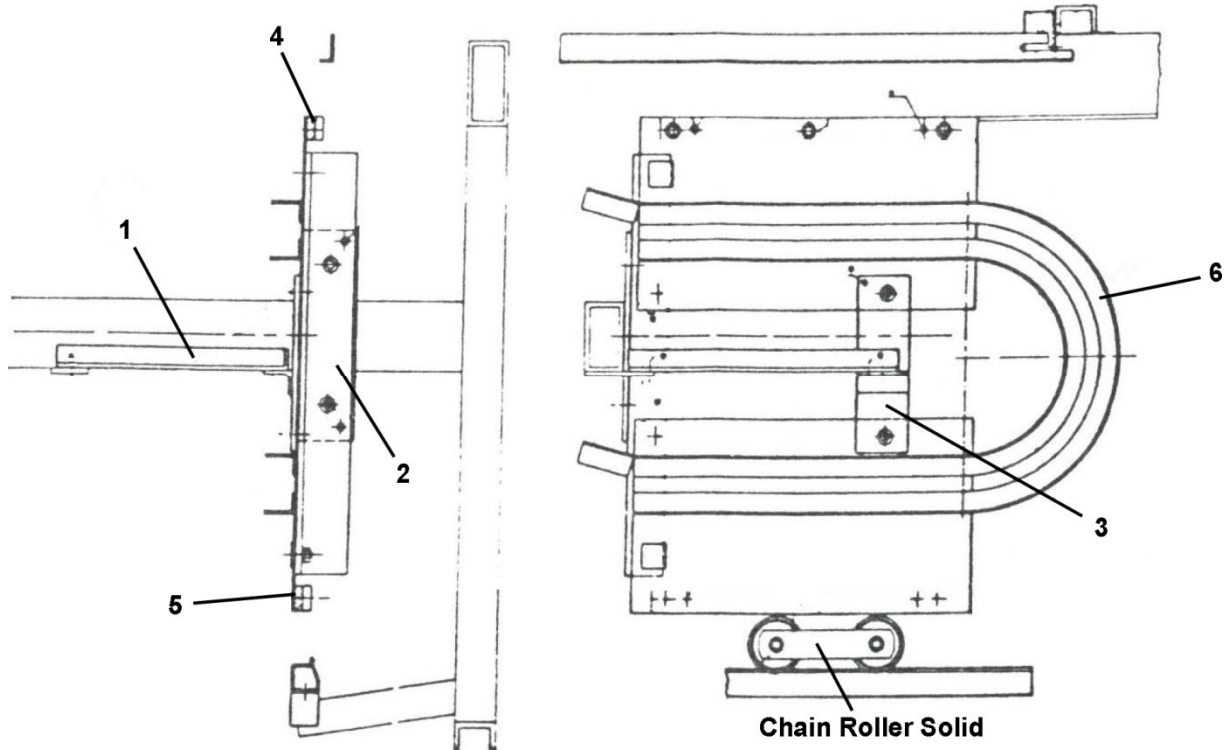




W/O VINTAGE					
REF. No.	PART No.		Description	Approx. Length	PROFILE
	L 	R 			
1	GO483ABD1 GO483ABD3	GO483ABD2 GO483ABD4	Track, Chain Roller Upthrust, Passenger Line	5800	 L 40X20X3
	GO483ABD5 GO483ABD7	GO483ABD6 GO483ABD8		2900	
2	GO483ABG5 See <b>NOTE 1</b>	GO483ABG6 See <b>NOTE 1</b>	Track, Chain + Step Roller, Passenger Line	3000	 GOA50FK
	156-141 See <b>NOTE 2</b>			6000	
3	1S-GO50XZ6000 See <b>NOTE 2</b>		Track, Upthrust, Return Line	6000	 GO50XZ
4	GO483ABE1	GO483ABE2	Track, Step Roller, Return Line	5800	 1S-GO50AAD
	GO483ABE3	GO483ABE4		2900	
	GO483ABE5	GO483ABE6		3000	
5	GO483ABF1	GO483ABF2	Track, Chain Roller Return Line	5800	 1S-GO50AAD
	GO483ABF3	GO483ABF4		2900	

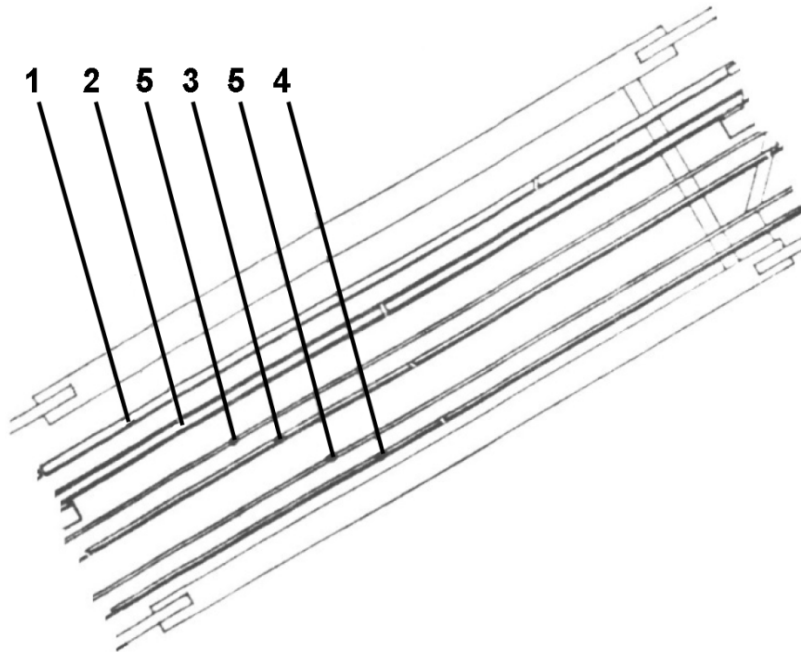
**NOTE 1:** GO483ABG5 and GO483ABG6 are slotted for auxiliary handrail drive clearance.



**NOTE 2:** This part should be cut to suit during installation.

**510 NAO Track,  
Upper Landing Turnaround**



REF. No.	W/O VINTAGE		DESCRIPTION	Approx. Length (mm)
	PART No.			
	L 	R 		
1	GO272DFA1	GO272DFA2	Angle, Brace	435
2	GO272DEB4 GO272DEB3	GO272DEB2 GO272DEB4	Angle, Mounting	603
3	GO316BFS1		Bracket	367
4	GO299AKS1	GO299AKS2	Track, Transition, Passenger	500
5	GO299AKS2	GO299AKS1	Track, Transition, Return	500
6	GOA483AAD3	GOA483AAD4	Turnaround, Upper Landing	515



<b>W/O VINTAGE</b>			
<b>PART No.</b>			
<b>REF. No.</b>	<b>L</b> 	<b>R</b> 	<b>DESCRIPTION</b>
1	YXGO272CBT1		Angle, Splice for Upthrust
2	GO272CBN1		Angle, Track Splice
3	GO386BRG1 GO386BRG2		Plate, Return Step Track Splice
4	GO386BRG3 GO386BRG4		Plate, Return Chain Track Splice
5	GO298AAR1 DAA298AC1		Strip, Upthrust Track Splice