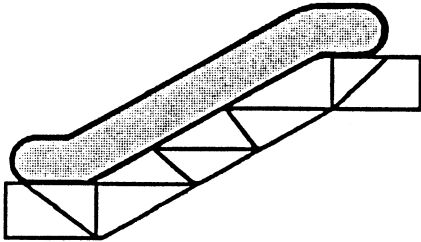


# Tension Carriage Otis 506 Slimline™

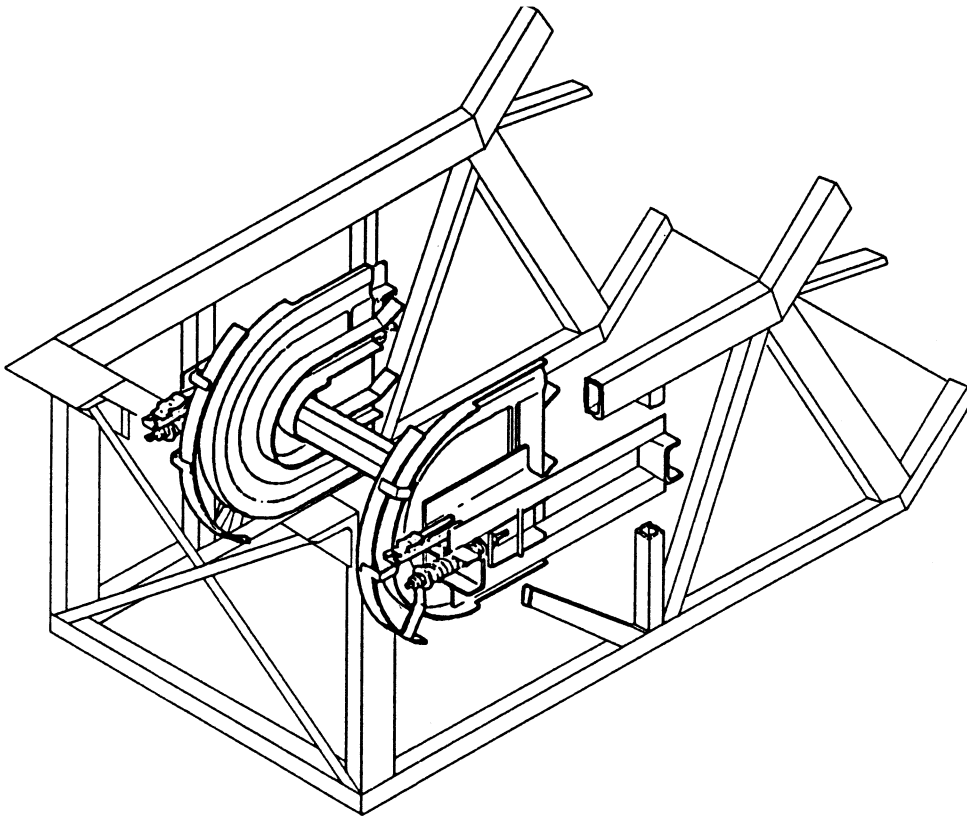
## Spare Parts Leaflet

**52-YY9703DT**

April 28, 2009 / Page 1 of 4



CONTRACT NO. <input type="text"/>		TYP <input type="text"/>	YEAR <input type="text"/>	LIMITED TEC-PARTS ORDER OTIS ELEVATOR	
PARTS ORDER NO.		PARTS LOCATION NO.			
CONTROLLER	10/ <input type="checkbox"/>	TENSION CARRIAGE	32/ <input type="checkbox"/>		
CLICK CHECK	10/ <input type="checkbox"/>	STEP	33/ <input type="checkbox"/>		
INSPECTION DEVICE	10/ <input type="checkbox"/>	STEP CHAIN	34/ <input type="checkbox"/>		
STOP BUTTON	38/ <input type="checkbox"/>	HANDRAIL DRIVE	35/ <input type="checkbox"/>		
LUBRICATION SYSTEM	80/ <input type="checkbox"/>	HANDR. ENTRY DEVICE	36/ <input type="checkbox"/>		
DRIVE CHAINS	81/ <input type="checkbox"/>	FLOORPLATE LPP LDD	38/ <input type="checkbox"/>		
MAIN DRIVE	81/ <input type="checkbox"/>	FLOORPLATE LOW LDD	39/ <input type="checkbox"/>		
MAIN DR. SHAFT BRAKE	81/ <input type="checkbox"/>	BALLSTRAD	57/ <input type="checkbox"/>		
DEMARICATION LIGHTS	88/ <input type="checkbox"/>	SKIRT PANEL	57/ <input type="checkbox"/>		
		FLUORESCENT LAMPS	57/ <input type="checkbox"/>		
HANDRAIL TYPE <input type="text"/>		LENGTH <input type="text"/>		MM COLOR <input type="text"/>	
BALLSTRAD FINISH <input type="text"/>					



**OTIS**

**Safety First!**

**SERVICE ENGINEERING**

**Otis Elevator Company**

**Bloomfield, Connecticut USA**

**Leaflet Description**

This leaflet defines the spare parts relating to the step chain tension carriage on the 506 Slimline™ (506SL) escalators.

**Leaflet Revisions**

<b>Date Revised</b>	<b>Subject Matter Expert</b>	<b>Reason for Revision</b>
June 1, 1989	---	New SPL
July 15, 2008	Tom Charney	Added new parts on page 4.
April 28, 2009	Tom Charney	Added new parts on page 3.

**Related Drawings**

<b>Drawing No.</b>	<b>Title</b>	<b>Drawing No.</b>	<b>Title</b>
---	---	---	---
---	---	---	---

**Related Documents**

<b>Document ID</b>	<b>Title</b>
---	---
---	---

**Subject Matter Expert**

<b>Name</b>	<b>Department</b>
Tom Charney	OSC Service Engineering

**About Spare Parts Leaflets...**

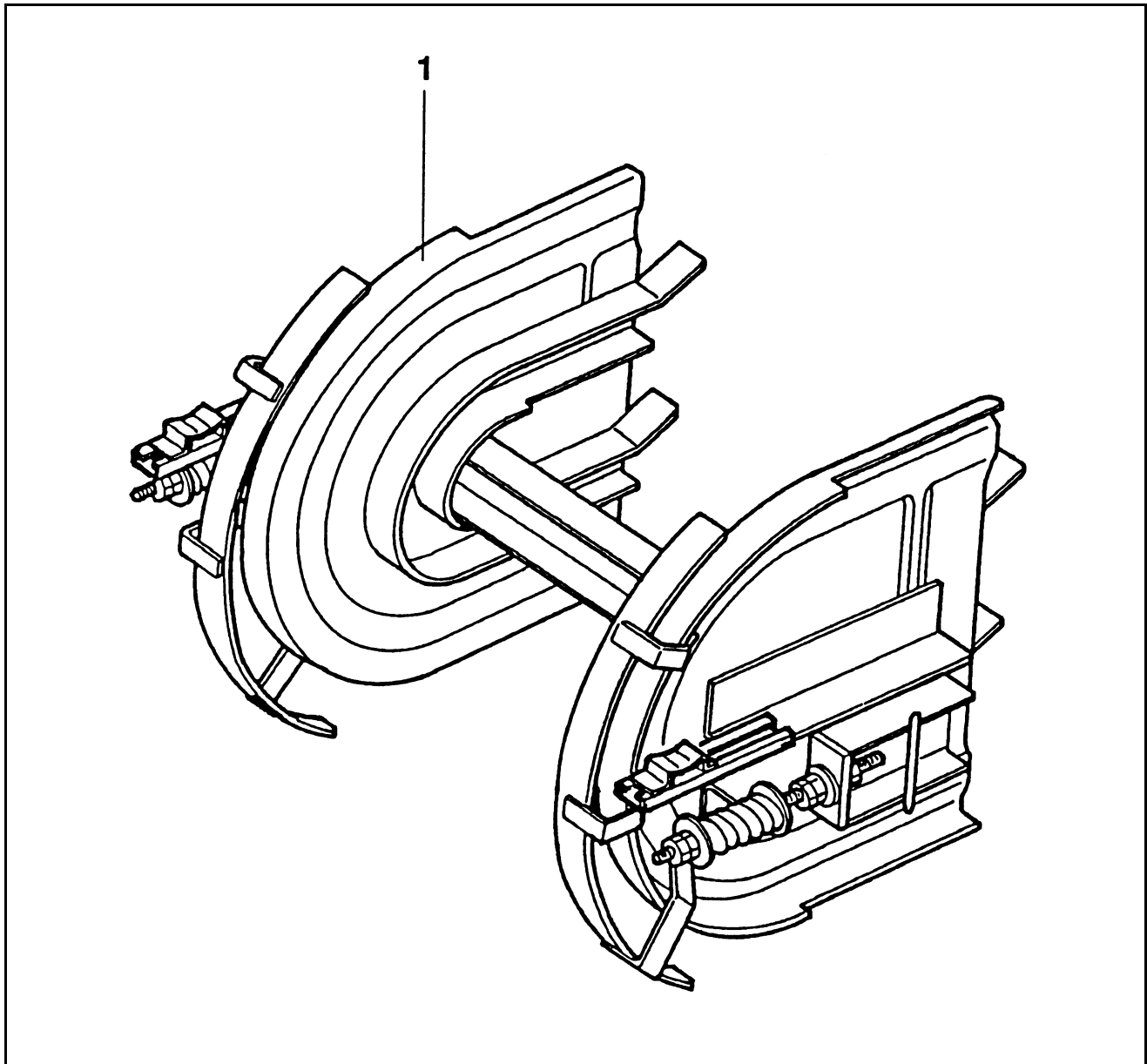
This document lists the lowest replaceable units (LRUs) for the standard version of the product. The LRUs are chosen by a team of Otis associates representing engineering and manufacturing.

While goal of this document is to make parts identification as easy as possible, the document cannot be all-inclusive. Elevator and escalator contracts classified as “special” or “custom” are not addressed here. For such contracts, please refer to specified information, the contract folder, TIPs, Field Education Articles, Construction Letters, etc. for further information.

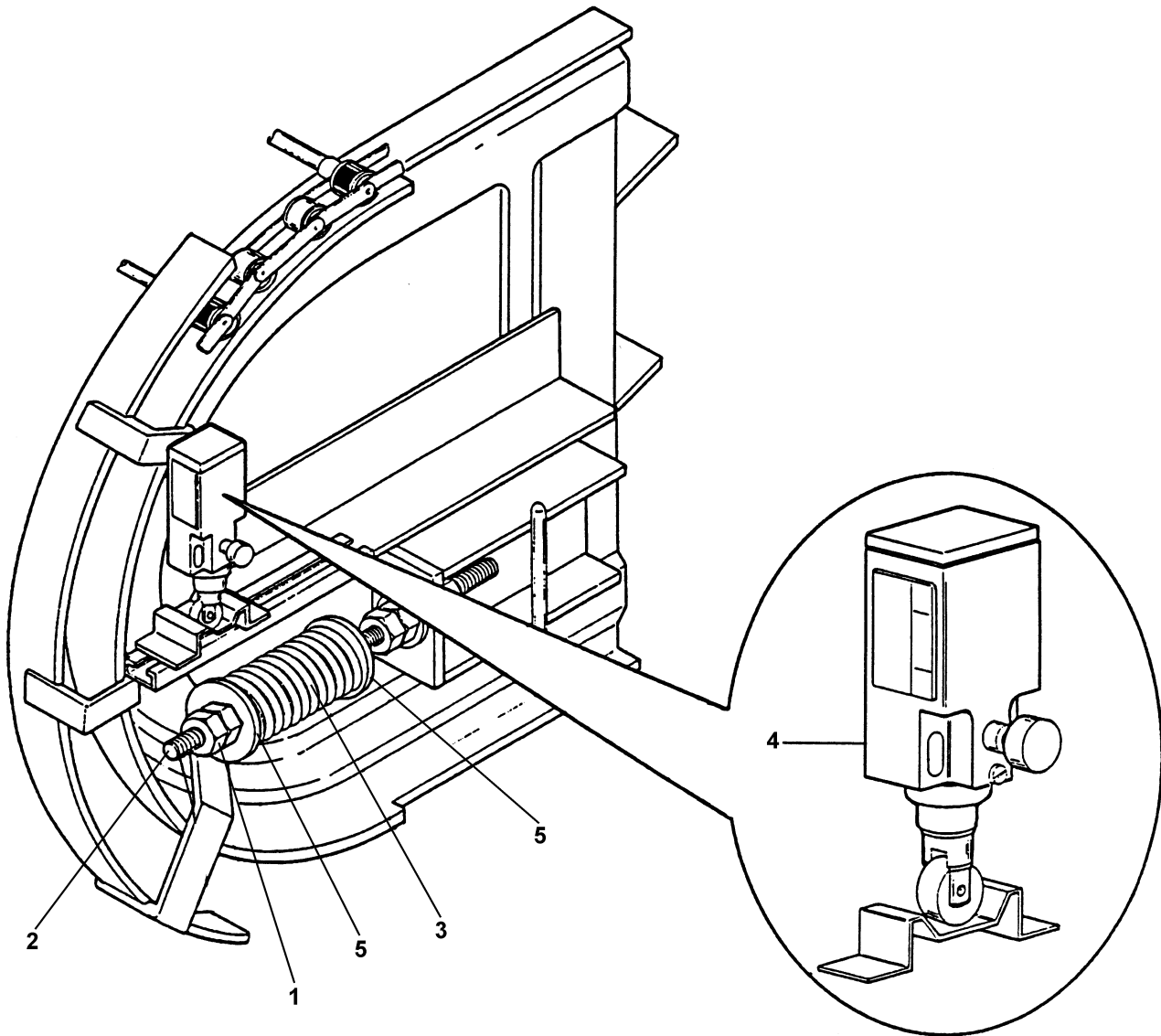
If you have any suggestions about this document, please contact the subject matter expert listed on this page.

# Tension Carriage Assembly

**52-YY9703DT**



<b>VINTAGE R01</b>			
<b>REF. No.</b>	<b>PART No.</b>	<b>TYPE</b>	<b>DESCRIPTION</b>
1	YY9703DT1 9703DT1	600	Tension Carriage
	YY9703DT2 9703DT2	800	
	YY9703DT3 9703DT3	1000	



**VINTAGE R01**

<b>REF. No.</b>	<b>PART No.</b>	<b>DESCRIPTION</b>
1	DIN934 M16	Nut
2	GO96BB23	Rod, Threaded, M16
3	GO90BP1	Spring
4	GO177AG6	Switch, Broken Step Chain (LBC, RBC)
5	GO133AE2	Washer