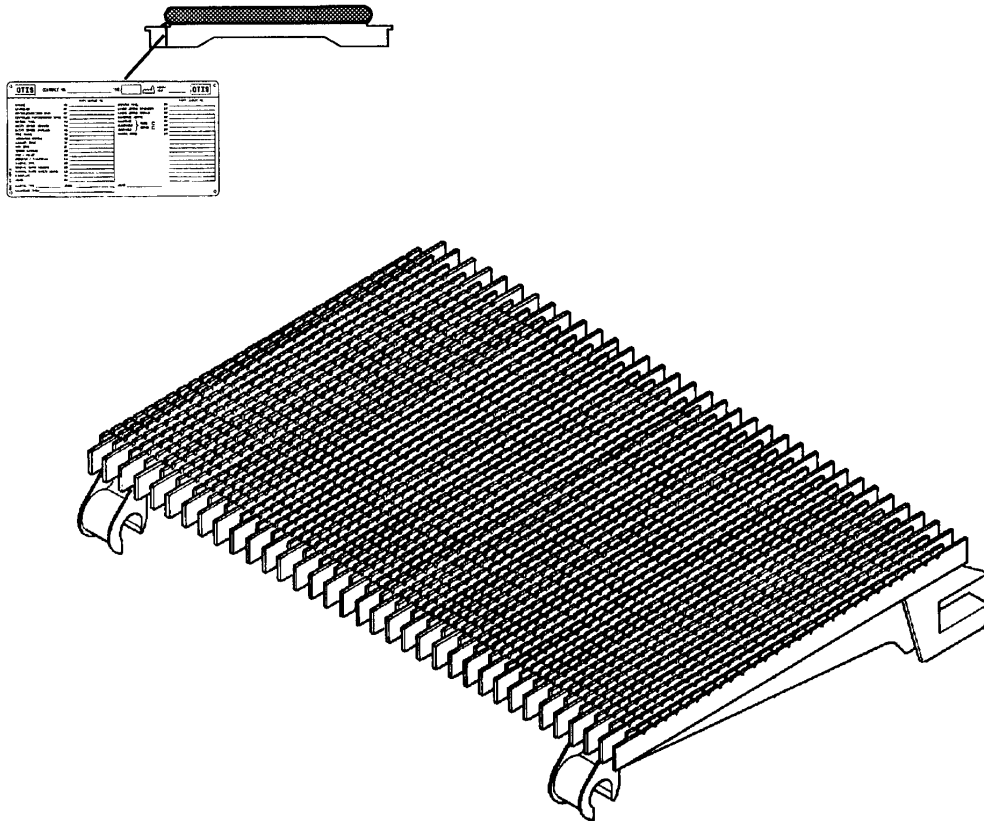


**Trav-O-Lator Uniplate
HDL-T / UT / 606 /
610NPT**

**Spare Parts Leaflet
53-A9741EA
04/01/2003 / Page 1 of 7**



Unpublished Work—© Otis Elevator Co.

OTIS

Safety First!

**ENGINEERING
Otis Escalator Systems
Stadthagen Germany**

53-A9741EA

History

Leaflet Description

The SPL 53-GO455B is replaced by 53-GAA26340D(only the part no's GOB455B...)
The rest of the SPL 53-GO455B is now named 53-A9741EA w/ yellow inserts.

Leaflet Revisions

Date Revised	Subject Matter Expert	Reason for Revision
March 21,2003	Wilfried Gohlke	Introduction of SPL 53-GAA26340D w/ new alloy

Related Drawings

Drawing No.	Title	Drawing No.	Title
A9741GK	Uniplate		
A9741EA	Uniplate		

Related Documents

Document ID	Title

Subject Matter Expert

Name	Department
Peter Borchers	Engineering Stadthagen , Germany

About Spare Parts Leaflets...

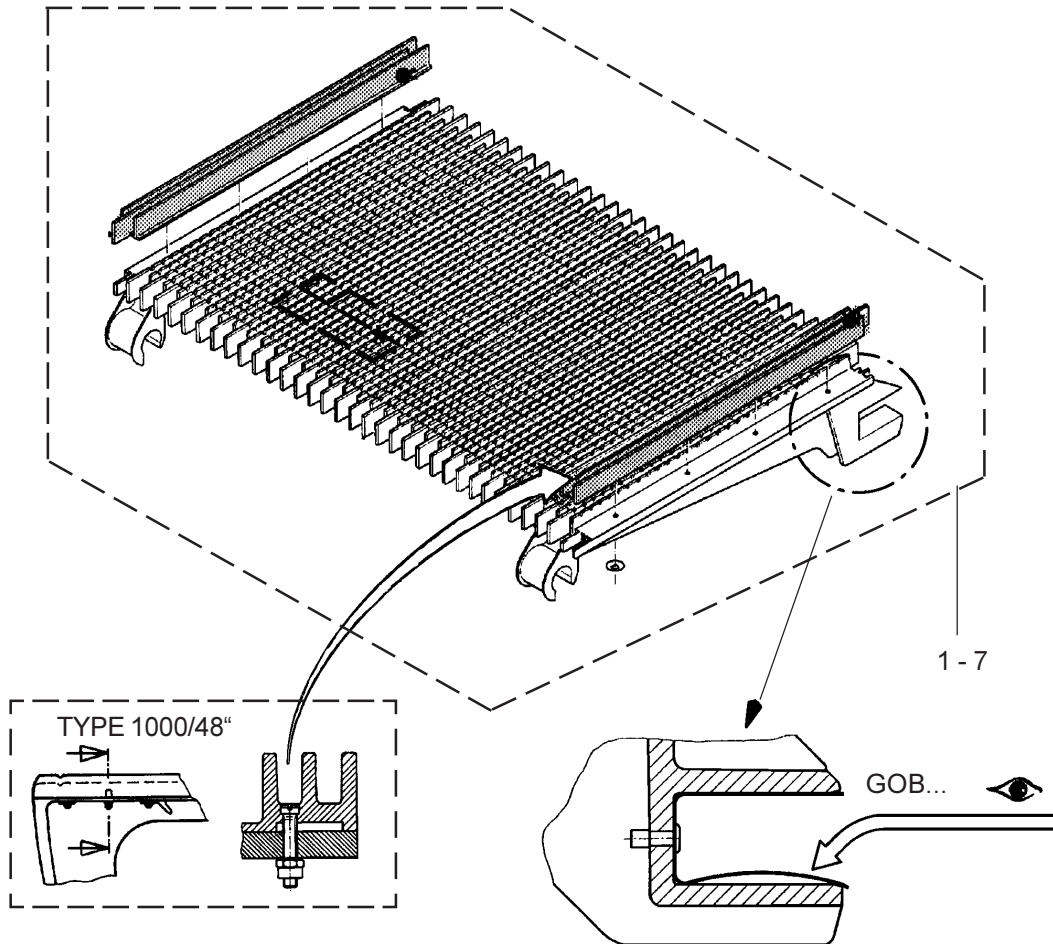
This document lists the lowest replacement units (LRUs) for the standard version of the product. The LRUs are chosen by a team of Otis associates representing engineering and manufacturing.

While goal of this document is to make parts identification as easy as possible, the document cannot be all-inclusive. Elevator and escalator contracts classified as „special“ or „custom“ are not addressed here. For such contracts, please refer to specified information, the contract folder, TIPs, Field Education Articles, Construction Letters , etc. for information.

If you have any suggestions about this document, please contact the subject matter expert listed on this page.

53-A9741EA

**Trav-O-Lator® UT , 606 ,
HDL-T , 610NPT Uniplate**

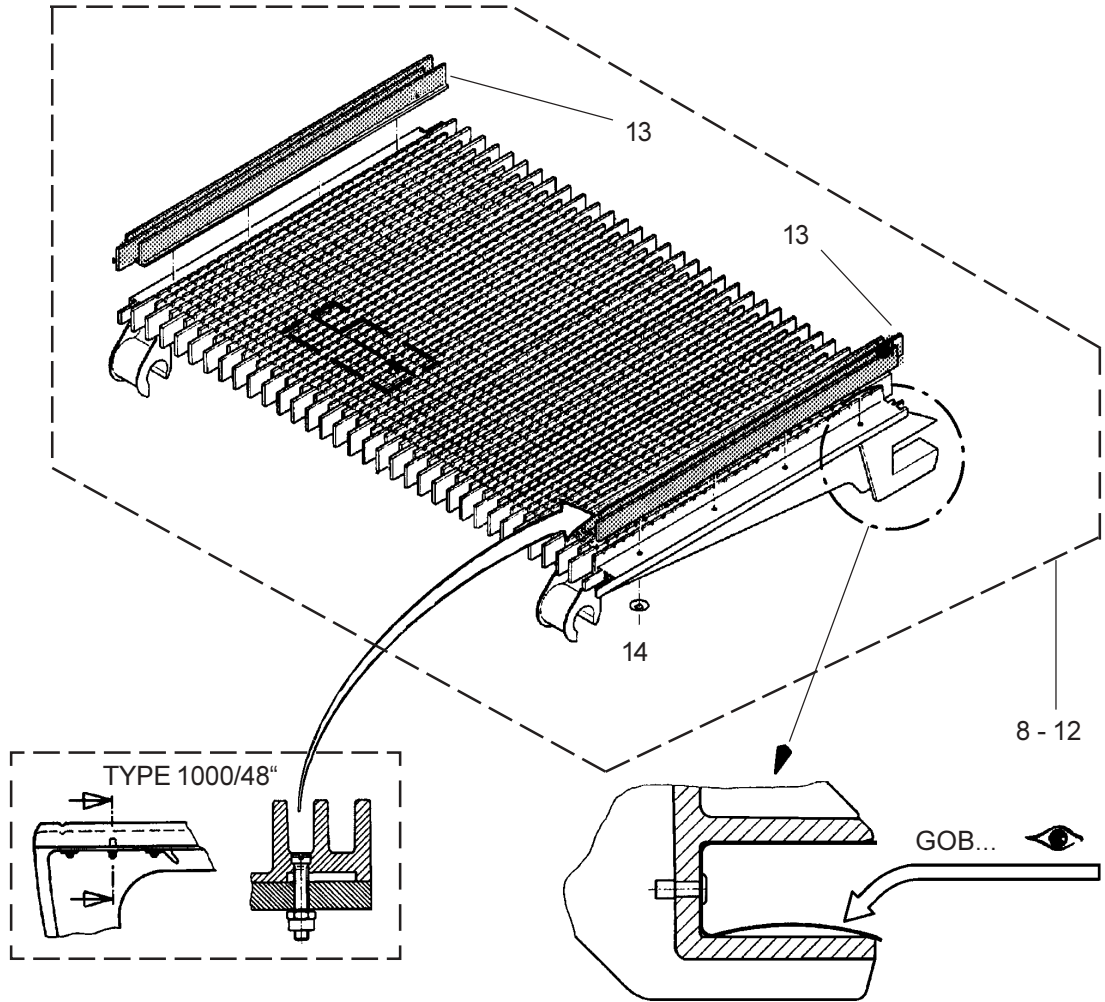


—9741EA1-7
A9741EA1-7

A9741EA					
REF.No.	PART No.	DESCRIPTION		TREAD SURFACE	COLOR
1	A9741EA1	Uniplate	600 / 32"	w/ Tread Finish	
2	A9741EA2	Uniplate	800 / 40"		
4	A9741EA4	Uniplate	1000 / 48"		
5	A9741EA5	Uniplate	600 / 32"	w/o Tread Finish	
6	A9741EA3	Uniplate	900 / 44"		
7	A9741EA7	Uniplate	900 / 44"		

Trav-O-Lator® UT , 606 , HDL-T , 610NPT Uniplate

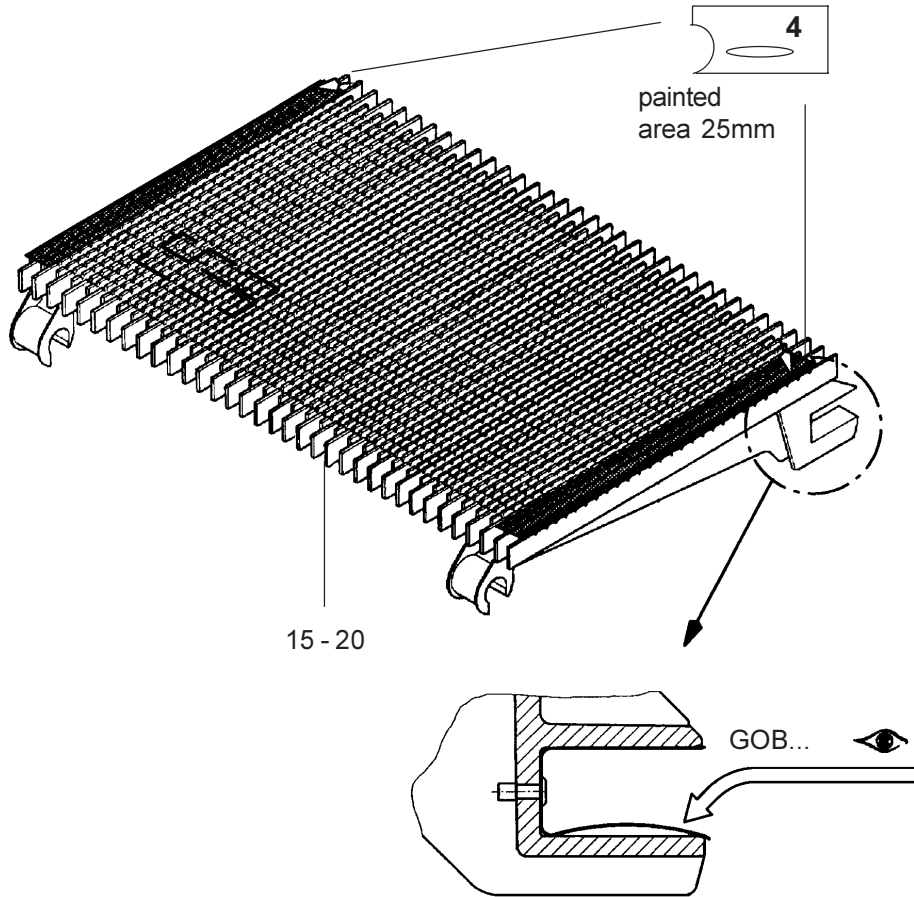
53-A9741EA





A9741EA				
REF.No.	PART No.	DESCRIPTION	TREAD SURFACE	COLOR
8	A9741EA 6	Uniplate 800 / 40"	w /o Tread Finish	
9	A9741EA8	Uniplate 1000 / 48"		
10	A9741EA17	Uniplate 600 / 32"	w / Tread Finish	
11	A9741EA18	Uniplate 800 / 40"		
12	A9741EA20	Uniplate 1000 / 48"		
13	GO455H1	Demarcation insert		
14	GO2215A4	Spring nut		

53-A9741EA

**Trav-O-Lator® UT , 606 ,
HDL-T , 610NPT Uniplate**

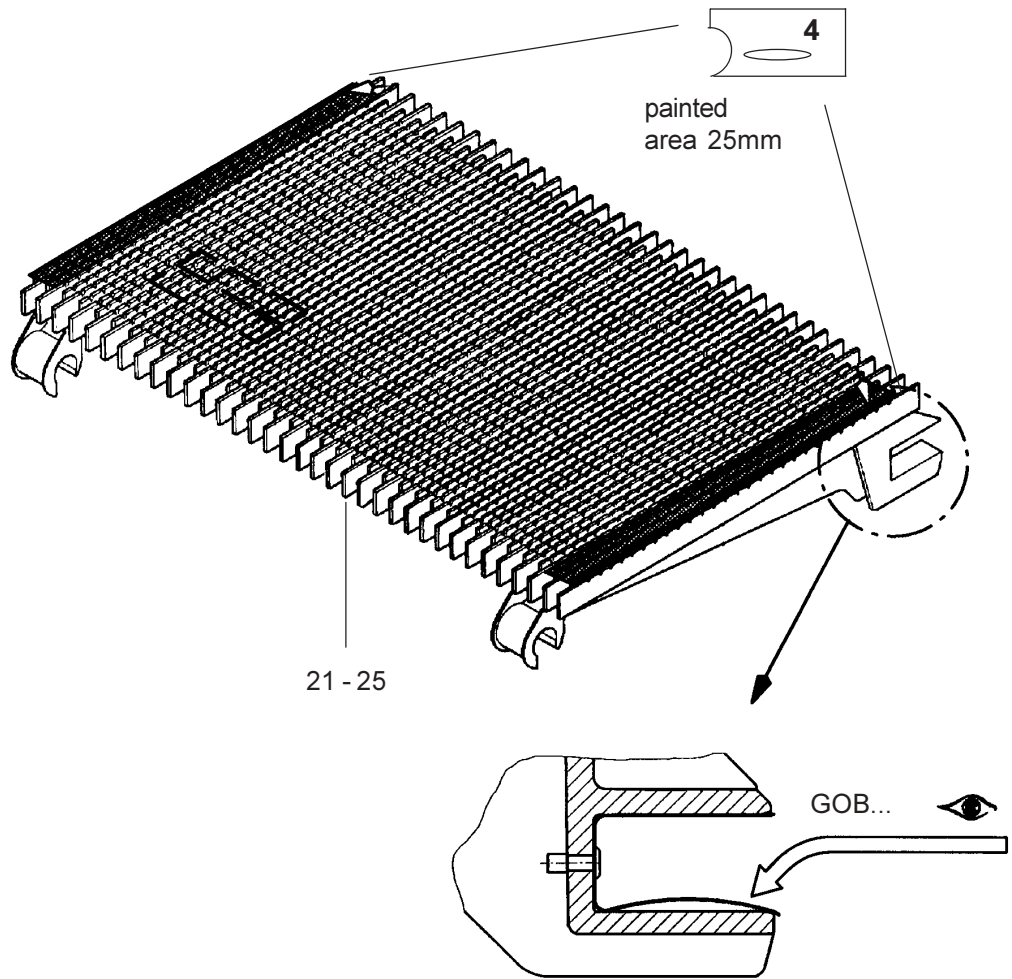


~~9741EA9-16~~
A9741EA9-16

A9741EA				
REF.No.	PART No.	DESCRIPTION	TREAD SURFACE	COLOR
15	A9741EA9	Uniplate 600 / 32"	w/ Tread Finish	
16	A9741EA10	Uniplate 800 / 40"		
17	A9741EA12	Uniplate 1000 / 48"		
18	A9741EA13	Uniplate 600 / 32"	w/o Tread Finish	
19	A9741EA14	Uniplate 800 / 40"		
20	A9741EA16	Uniplate 1000 / 48"		

Trav-O-Lator® UT , 606 , HDL-T , 610NPT Uniplate

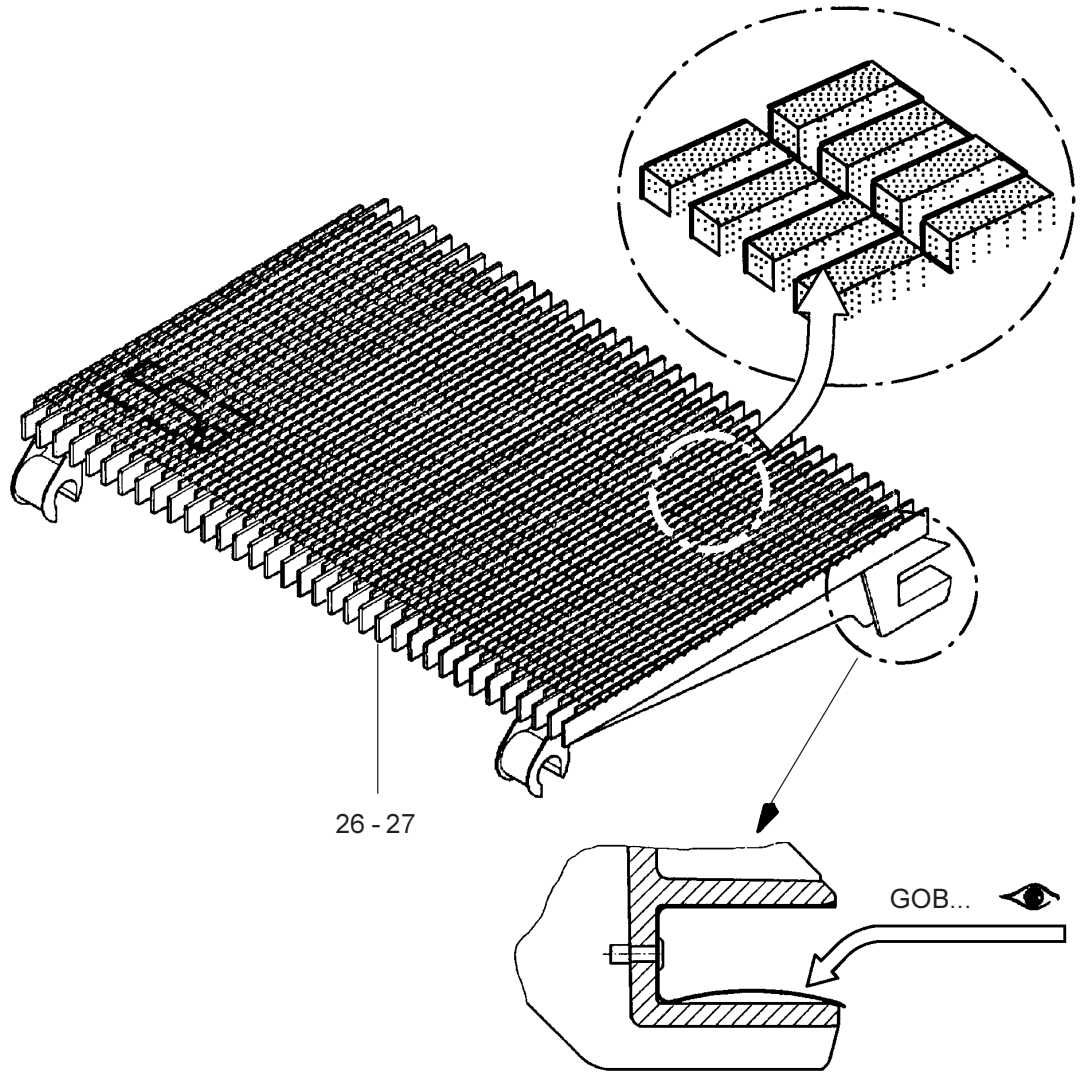
53-A9741EA



A9741EA				
REF.No.	PART No.	DESCRIPTION	TREAD SURFACE	COLOR
21	A9741EA21	Uniplate 600 / 32"	w/ Tread Finish	
22	A9741EA22	Uniplate 800 / 40"		
23	A9741EA24	Uniplate 1000 / 48"		
24	A9741EA11	Uniplate 900 / 44"		
25	A9741EA15	Uniplate 900 / 44"		

53-A9741EA

**Trav-O-Lator® UT , 606 ,
HDL-T , 610NPT Uniplate**



REF.No.	A9741GK PART No.	DESCRIPTION	COLOR
26	A9741GK2	Uniplate 800 / 40"	
27	A9741GK4	Uniplate 1000 / 48"	