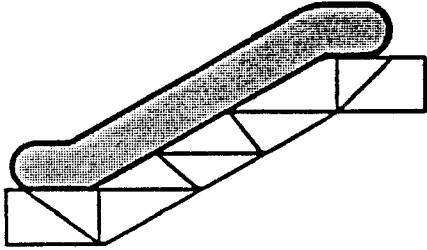


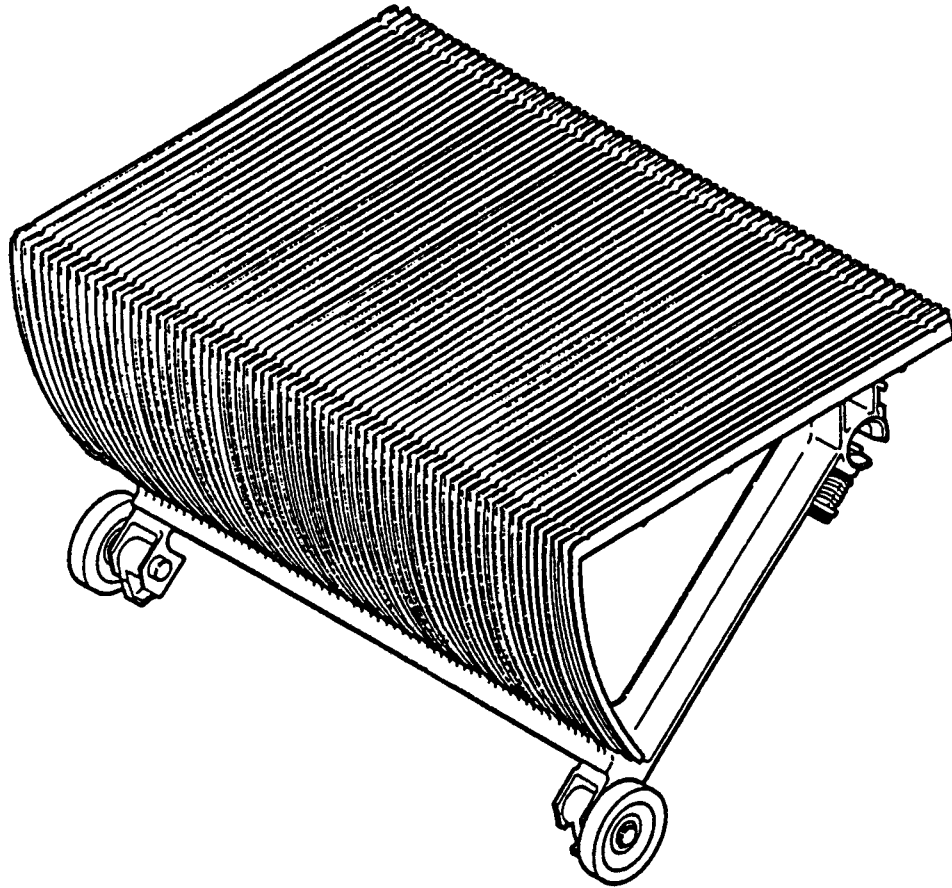
Step  
506 — Slimline

Spare Parts Leaflet  
53-AAA26140AAA

August 5, 2005 / Page 1 of 3



CONTRACT NO. <input type="text"/>		TYPE <input type="text"/>	YEAR <input type="text"/>	UNITED TECHNOLOGIES OTIS ELEVATOR	
PARTS LIST					
CONTROLLER	101	<input type="checkbox"/>	TENSION CARRIAGE	80	<input type="checkbox"/>
QUICK CHECK	102	<input type="checkbox"/>	STEP	81	<input type="checkbox"/>
INSPECTION DEVICE	103	<input type="checkbox"/>	STEP CHAIN	84	<input type="checkbox"/>
STOP BUTTON	82	<input type="checkbox"/>	HANDRAIL DRIVE	85	<input type="checkbox"/>
LUBRICATION SYSTEM	83	<input type="checkbox"/>	HANDRAIL ENTRY DEVICE	86	<input type="checkbox"/>
DRIVE CHAINS	87	<input type="checkbox"/>	FLOORPLATE LIFT LOG	88	<input type="checkbox"/>
MAIN DRIVE	89	<input type="checkbox"/>	FLOORPLATE LOW LOG	89	<input type="checkbox"/>
MAIN DR. SHAFT BRAKE	90	<input type="checkbox"/>	BALLSTRADA	97	<input type="checkbox"/>
DEMARICATION LIGHTS	91	<input type="checkbox"/>	SKIRT PANEL	97	<input type="checkbox"/>
			FLUORESCENT LAMPS	97	<input type="checkbox"/>
HANDRAIL TYPE <input type="text"/>		LENGTH <input type="text"/>	MM COLOR <input type="text"/>		
BALLSTRADA FINISH <input type="text"/>					



Unpublished Work—© Otis Elevator Co.; 2005

**OTIS**

Safety First!

SERVICE ENGINEERING  
Otis Elevator Company  
Bloomfield, Connecticut USA

## Leaflet Description

This SPL is intended to identify replacement lower level step parts for the 506 Slimline (506 SL) escalator. For complete steps, refer to SPL 53-GAA26140F.

### Leaflet Revisions

Date Revised	Subject Matter Expert	Reason for Revision
June 1989	---	New SPL
August 5, 2005	Tom Charney	Added new parts on page 3; changed callouts.

### Related Drawings

Drawing No.	Title	Drawing No.	Title
AAA26140AAA	Step	---	---
---	---	---	---

### Related Documents

Document ID	Title
SPL 53-GAA26140F	Escalator Step
---	---

### Subject Matter Expert

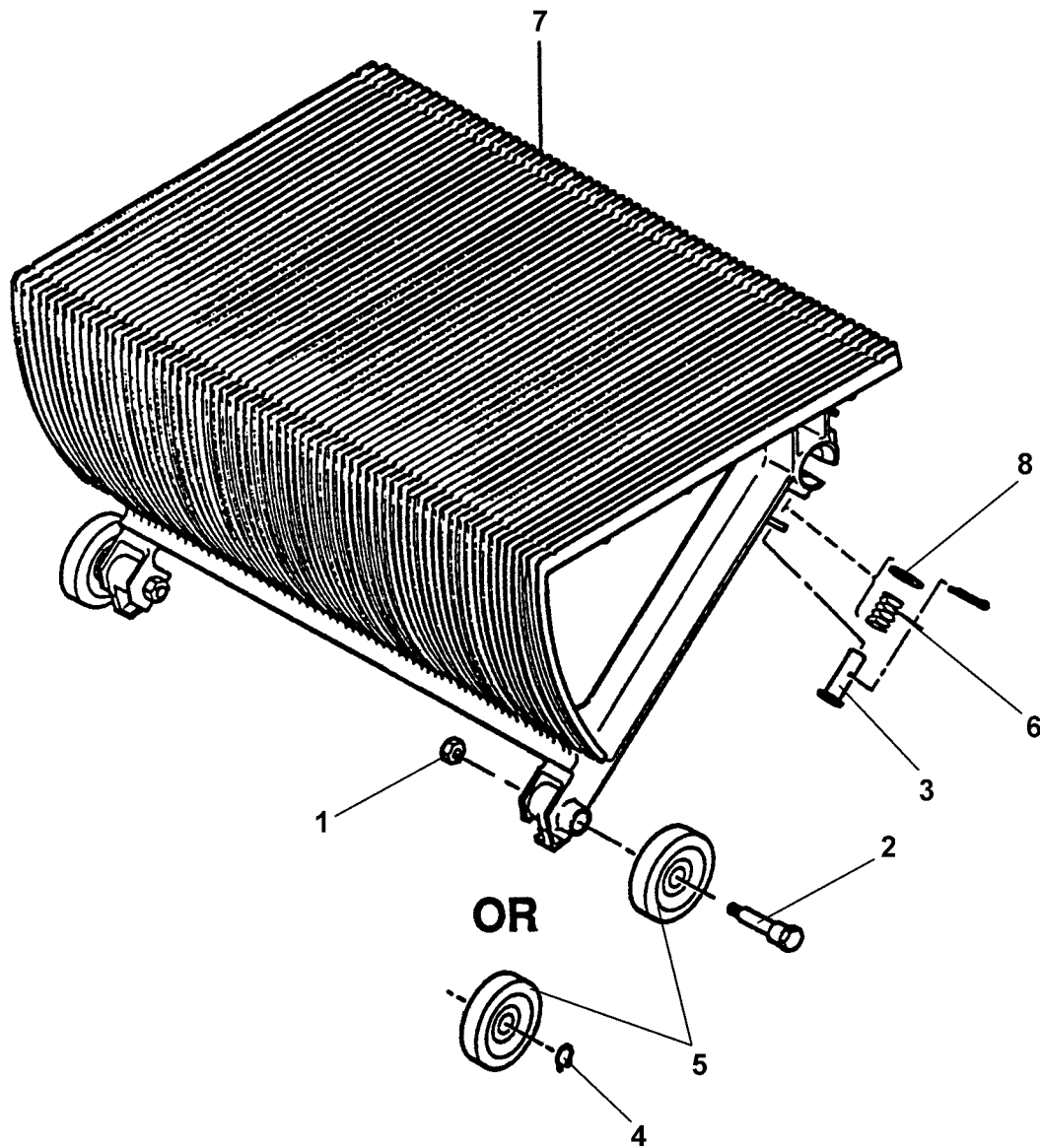
Name	Department
Tom Charney	OSC Service Engineering

### About Spare Parts Leaflets...

This document lists the lowest replaceable units (LRUs) for the standard version of the product. The LRUs are chosen by a team of Otis associates representing engineering and manufacturing.

While goal of this document is to make parts identification as easy as possible, the document cannot be all-inclusive. Elevator and escalator contracts classified as "special" or "custom" are not addressed here. For such contracts, please refer to specified information, the contract folder, TIPS, Field Education Articles, Construction Letters, etc. for further information.

If you have any suggestions about this document, please contact the subject matter expert listed on this page.



VINTAGE R 01			
REF. No.	PART No.	DESCRIPTION	TYPE
1	DIN985 M10	Nut	---
2	A78AT1	Pin	---
3	77EK2	Pin, Used with Ref. 6 and 8	---
4	172PM13	Ring, Retaining	---
5	GAA290CF2	Roller, Step	---
6	90LB5	Spring	---
7	GAA26140F7	Step, Complete, Black	600
	GAA26140F8		800
	GAA26140F9		1000
8	127VB56	Washer	---