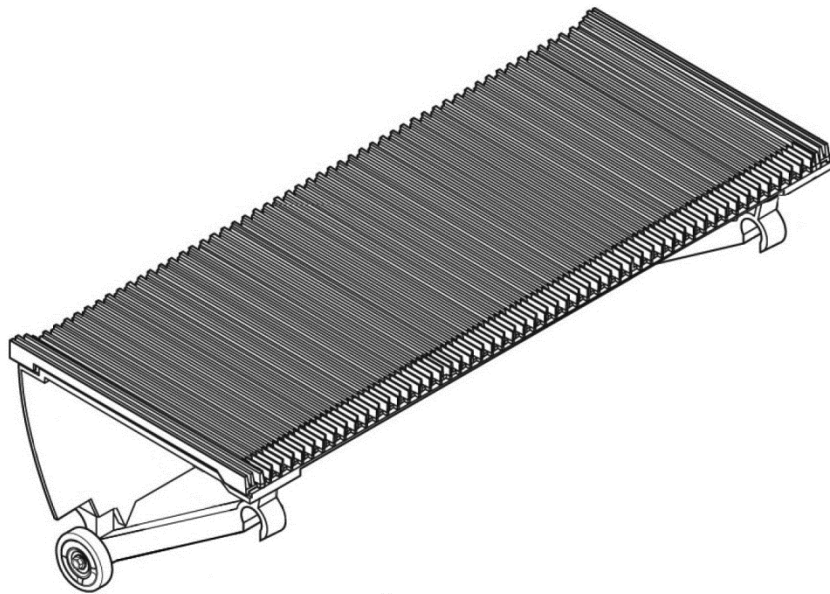


OCE521 Escalator Step

Spare Parts Leaflet

53-ASA01A962

November 1, 2006 / Page 1 of 5



OTIS

SERVICE ENGINEERING
Otis Elevator Company
Changwon, Korea

Unpublished Work—© Otis Elevator Co.; 2006

Leaflet Description

OCE521 escalator step.

Leaflet Revisions

Date Revised	Subject Matter Expert	Reason for Revision
November 1, 2006	SME	Release

Related Drawings

Drawing No.	Title	Drawing No.	Title

Related Documents

Document ID	Title

Subject Matter Expert

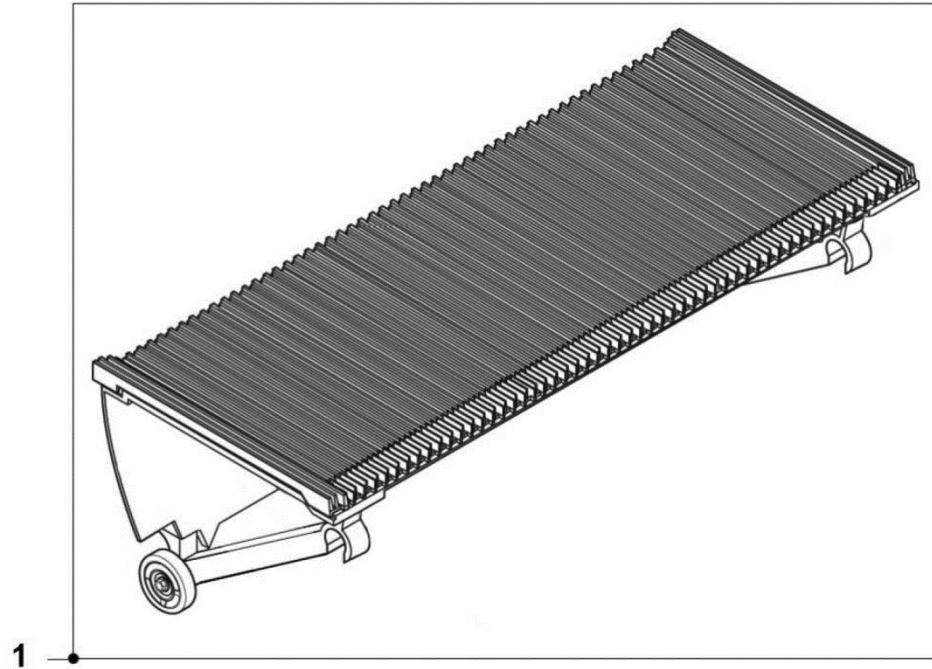
Name	Department
Tom Charney	OSC Service Engineering

About Spare Parts Leaflets...

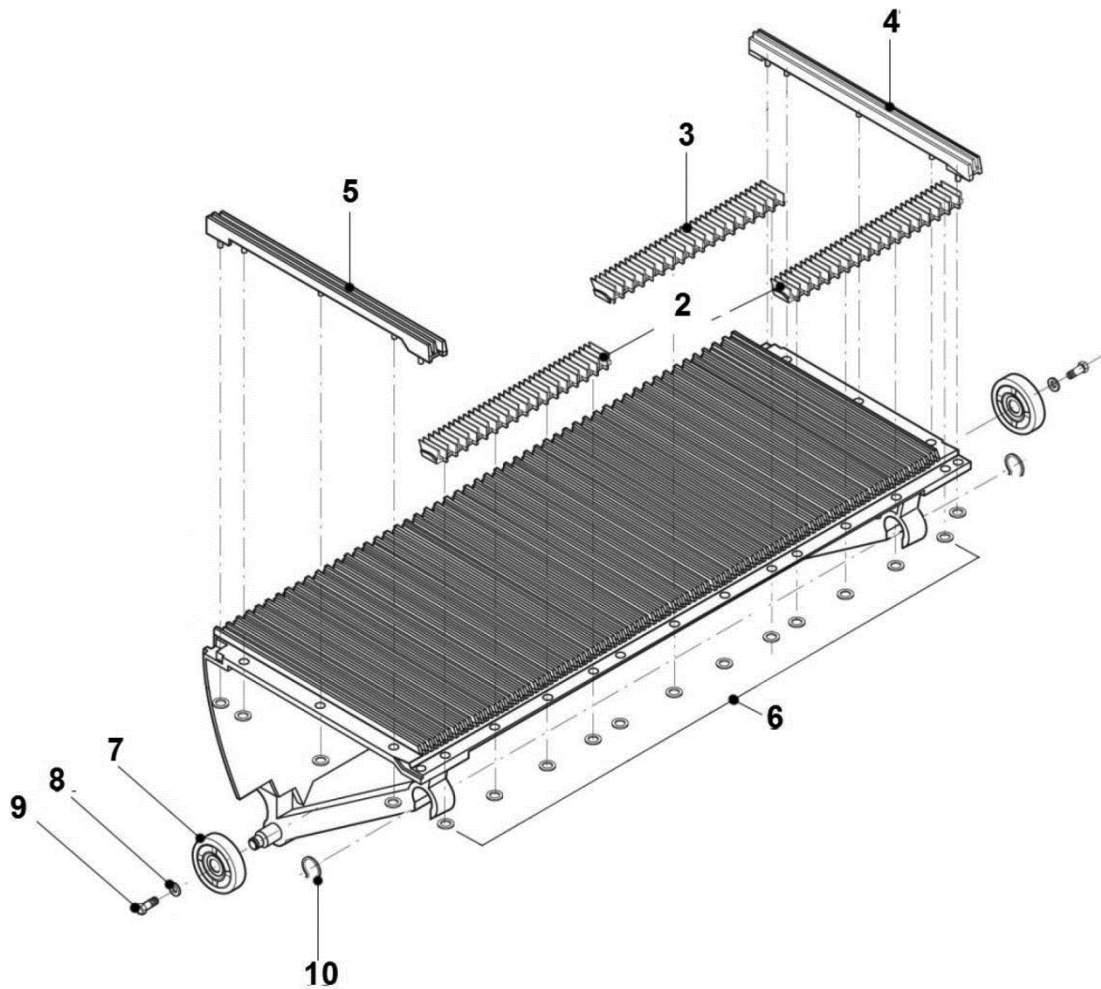
This document lists the lowest replaceable units (LRUs) for the standard version of the product. The LRUs are chosen by a team of Otis associates representing engineering and manufacturing.

While goal of this document is to make parts identification as easy as possible, the document cannot be all-inclusive. Elevator and escalator contracts classified as “special” or “custom” are not addressed here. For such contracts, please refer to specified information, the contract folder, TIPS, Field Education Articles, Construction Letters, etc. for further information.

If you have any suggestions about this document, please contact the subject matter expert listed on this page.



REF. No.	W/O VINTAGE PART No.	DESCRIPTION
1	ASA00A072A&1L07809D ASA01A962N	AL Step, 30 Degree, 48" Type(1000 mm Step), Indoor, Yellow Demarcation, Step Color : Pad Gray
	ASA01A714A ASA01A797A	AL Step, 30 Degree, 40" Type(800 mm Step), Indoor, Yellow Demarcation, Step Color : Pad Gray
	ASA00A074A&1L07809A ASA01A962R	AL Step, 30 Degree, 32" Type(600 mm Step), Indoor, Yellow Demarcation, Step Color : Pad Gray
	ASA00A072A&1L07809E ASA01A962P	AL Step, 30 Degree, 48" Type(1000 mm Step), Indoor, Yellow Demarcation, Step Color : Black
	ASA01A714B Not developments	AL Step, 30 Degree, 40" Type(800 mm Step), Indoor, Yellow Demarcation, Step Color : Black
	ASA00A074A&1L07809B ASA01A962S	AL Step, 30 Degree, 32" Type(600 mm Step), Indoor, Yellow Demarcation, Step Color : Black

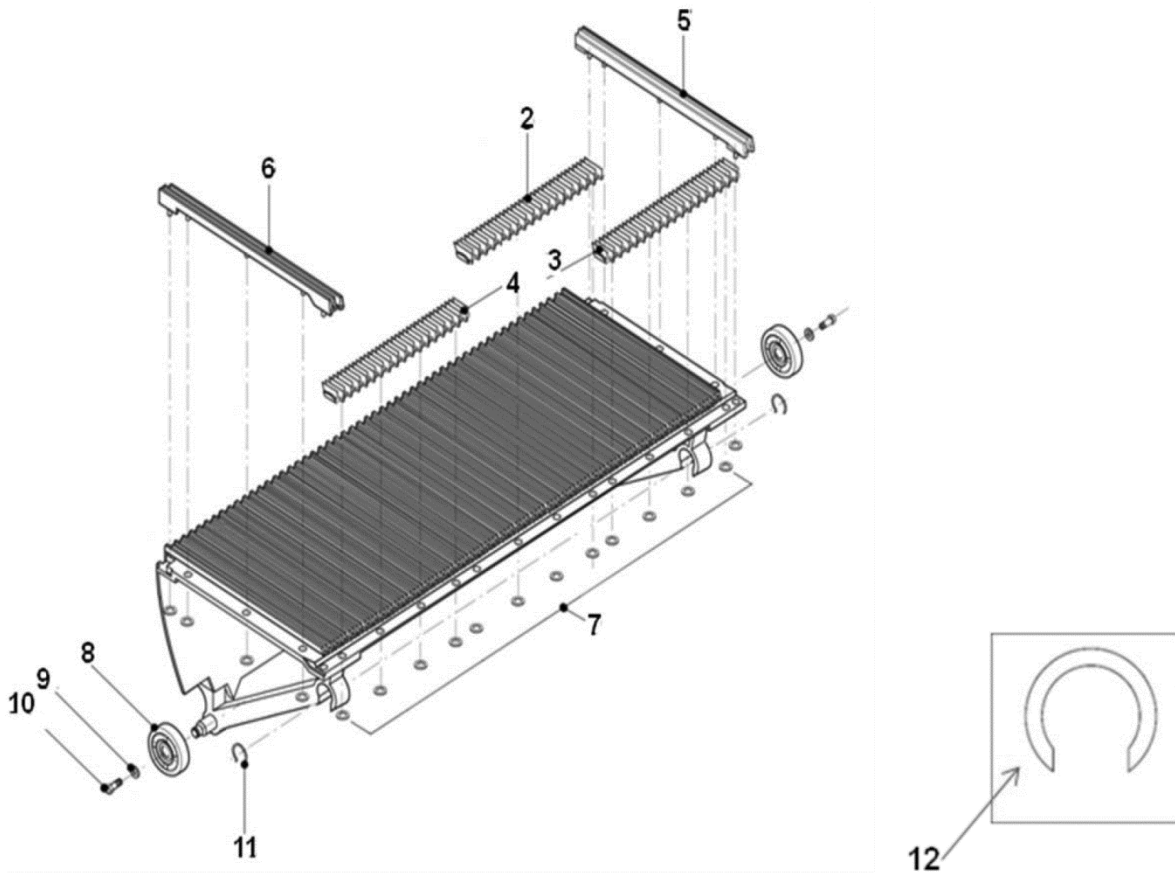


W/O VINTAGE

REF. No.	PART No.	DESCRIPTION
2	ASA00B036A	30 Degree, 48" Type Front Cleat, Both
	ASA00B038A	30 Degree, 32" Type Front Cleat, Both
3	ASA00B037A	Front Cleat, Middle
4	ASA00B039A	Left Side Cleat
5	ASA00B039B	Right Side Cleat
6	4L07941A	Tapping Nut(Material : SK-5), only for maintenance work
7	3L06299A	Roller ASY, Indoor
8	4L07939A	Cap Spring
9	4L07938A	Tapping Screw
10	4L08544A	Plate Clamp

OCE521 Escalator Step

53-ASA01A962



REF. No.	W/O VINTAGE PART No.	DESCRIPTION	
2	ASA02B072A	Front Cleat, Middle	substitute item
3	ASA02B071A	Front Cleat, Middle Left Side	
4	ASA02B070A	Front Cleat, Middle Right Side	
5	ASA02B069A	Left Side Cleat	
6	ASA02B069B	Right Side Cleat	
7	ASA01D193A + ASA01D193D	Push Nut + Tapping Screw	
8	ASA01D191B	Roller ASY, Indoor	
9	ASA01D193B	Cap Spring	
10	ASA01D193C	Tapping Screw	
11	4L08544A	Plate Clamp	
12	ASA02B220A	Spacer Setting 32" Type	