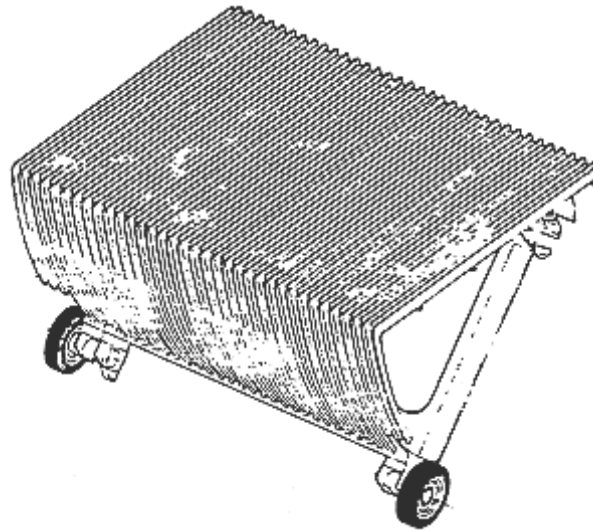
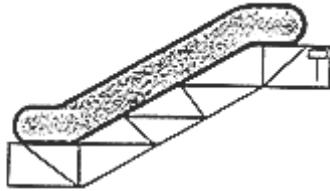
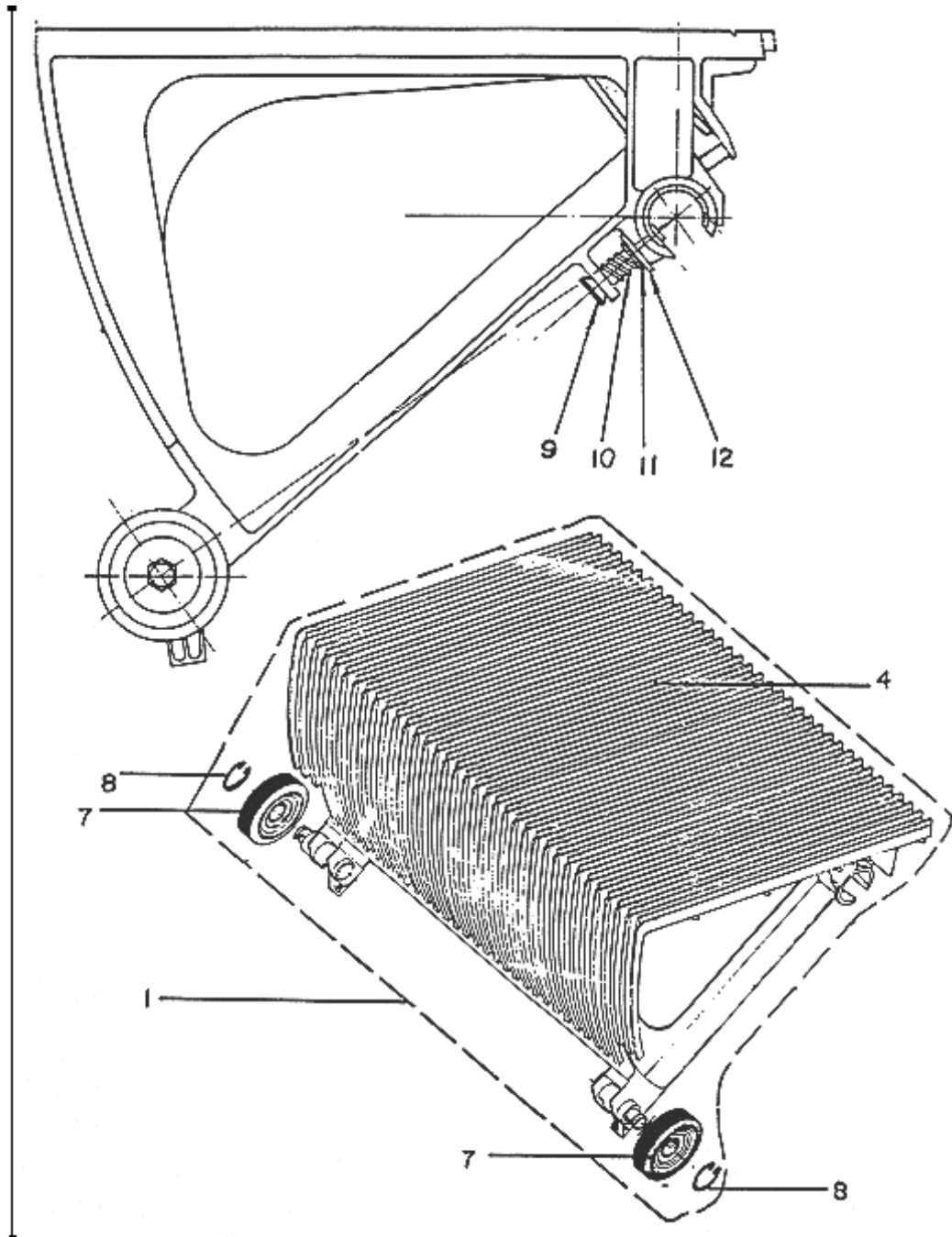


Unpublished Work - © Otis Elevator Company. Any unauthorized reproduction, disclosure, or distribution of copies or content by any person of any portion of this work may be a violation of Copyright Law of the United States of America. All rights reserved.

December 1994

Page 1

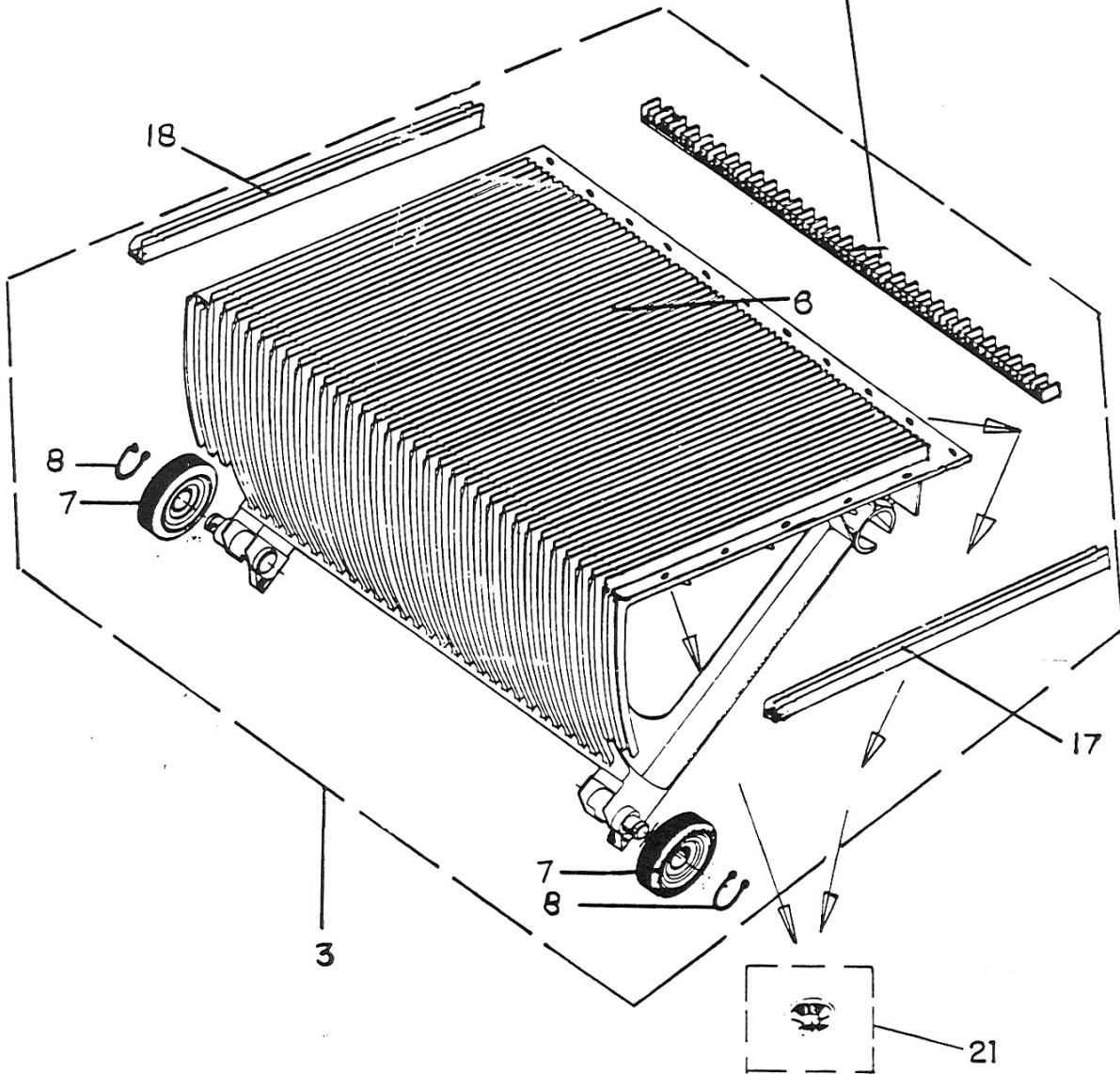


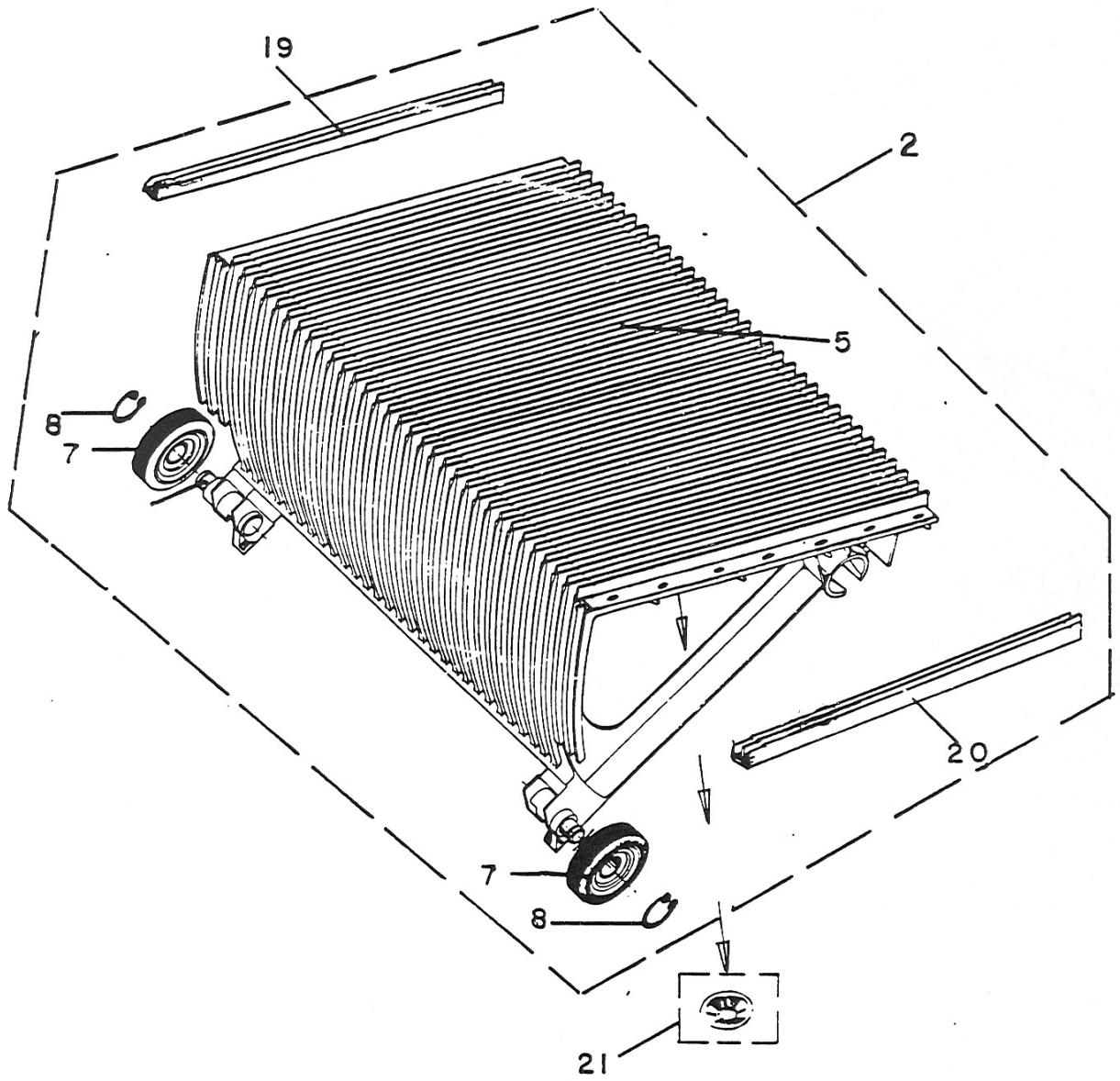


SPL 53-BAA26140A - Step (unistep), NAO - UBSL 600 / 1000

Page 3

MONTAGEM DOS INSERTOS P/ PARTES NUM. G0455G3/G4/G5					
INSERT ASSEMBLY FOR PART NUM. G0455G3/G4/G5					
TYPE 600	13	14	15		
TYPE 1000	16	16	14	16	15





SPL 53-BAA26140A - Step (unistep), NAO - UBSL 600 / 1000

Page 5 - STEP TYPE 600/1000

REF. NUM.	DESCRIPTION			PART OR ML	
1	COMPLETE STEP	TYPE 600	BLACK WITHOUT STRIP	BAA26140A1	
			BLACK WITH YELLOW STRIP	BAA26140A2	
		TYPE 1000	BLACK WITHOUT STRIP	BAA26140A3	
			BLACK WITH YELLOW STRIP	BAA26140A4	
		2	TYPE 600	WITH TREAD - LATERAL	BAA26140A6
			TYPE 1000	WITH TREAD - LATERAL	BAA26140A8
		3	TYPE 600	WITH TREAD - FULL	BAA26140A5
			TYPE 1000	WITH TREAD - FULL	BAA26140A7
4	STEP	TYPE 600	BLACK WITHOUT STRIP	BAA455A1	
			BLACK WITH YELLOW STRIP	BAA455A2	
		TYPE 1000	BLACK WITHOUT STRIP	BAA455A3	
			BLACK WITH YELLOW STRIP	BAA455A4	
		5	TYPE 600	WITH TREAD - LATERAL	BAA455A6
			TYPE 1000	WITH TREAD - LATERAL	BAA455A8
		6	TYPE 600	WITH TREAD - FULL	BAA455A5
			TYPE 1000	WITH TREAD - FULL	BAA455A7

SPL 53-BAA26140A - Step (unistep), NAO - UBSL 600 / 1000

Page 6

REF. NUM.	DESCRIPTION	PART OR ML
7	WHEEL	290BP4
8	RING DIAM. 17x1 DIN471	01R030120
9	PIN	BAA77LI
10	SPRING	90LB5
11	WASHER	127VB56
12	COUNTER PIN FE 3x25 DIN94	13XX181100
13	TREAD	GO455G3
14	TREAD	GO455G4
15	TREAD	GO455G5
16	TREAD	GO455G3
17	TREAD	BAA455B1
18	TREAD	BAA455B2
19	TREAD	BAA455B7
20	TREAD	BAA455B6
21	RING	BAA172B1