

Leaflet Description

The step GAA26140F replaces GAA26140A.

Leaflet Revisions

Date Revised	Subject Matter Expert	Reason for Revision
July 31, 2002	Wilfried Gohlke	New component
January 1, 2006	Tian, Ruoming	Add step w/o paint, see page 24.
Nov. 10, 2006	Tian, Ruoming	Change description on page 24; add steps on pages 24–47.
March 30, 2007	Tian, Ruoming	Deleted pages 46 and 47, which repeated pages 26 and 27.

Related Drawings

Drawing No.	Title	Drawing No.	Title
GAA26140F	Step	GAA455AY	Step
GAA455AX	Step		

Related Documents

Document ID	Title
---	---

Subject Matter Expert

Name	Department
Tian, Ruoming	SIT, Guangzhou

About Spare Parts Leaflets...

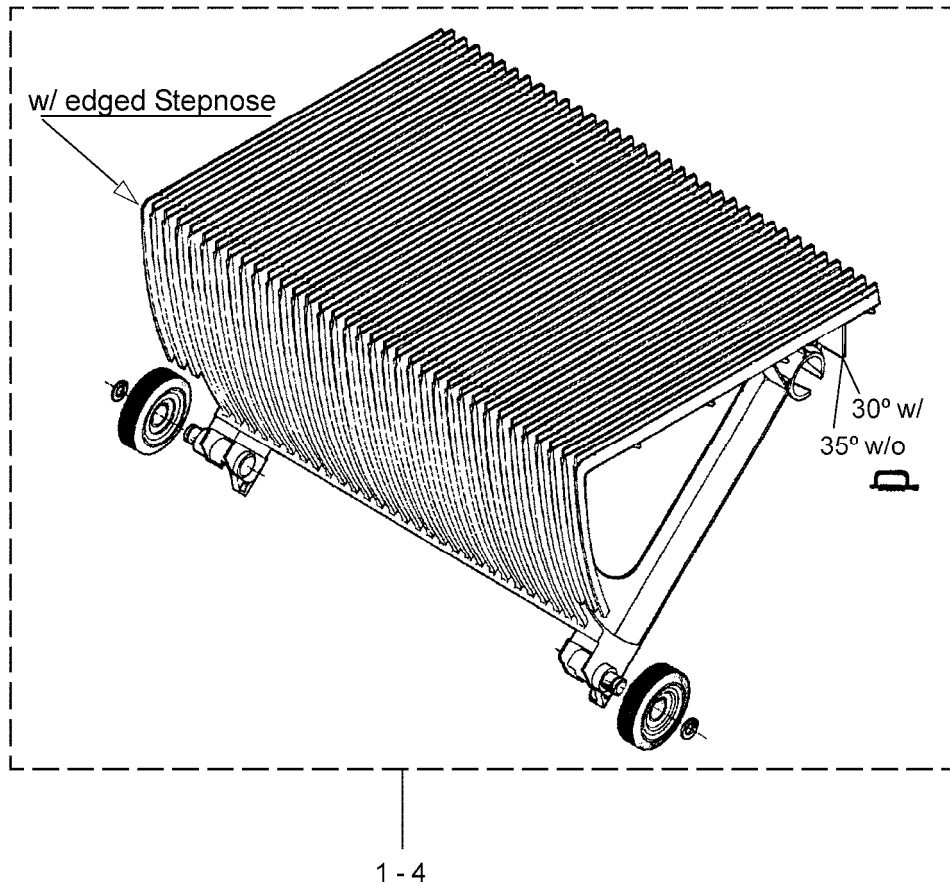
This document lists the lowest replaceable units (LRUs) for the standard version of the product. The LRUs are chosen by a team of Otis associates representing engineering and manufacturing.

While goal of this document is to make parts identification as easy as possible, the document cannot be all-inclusive. Elevator and escalator contracts classified as “special” or “custom” are not addressed here. For such contracts, please refer to specified information, the contract folder, TIPs, Field Education Articles, Construction Letters, etc. for further information.

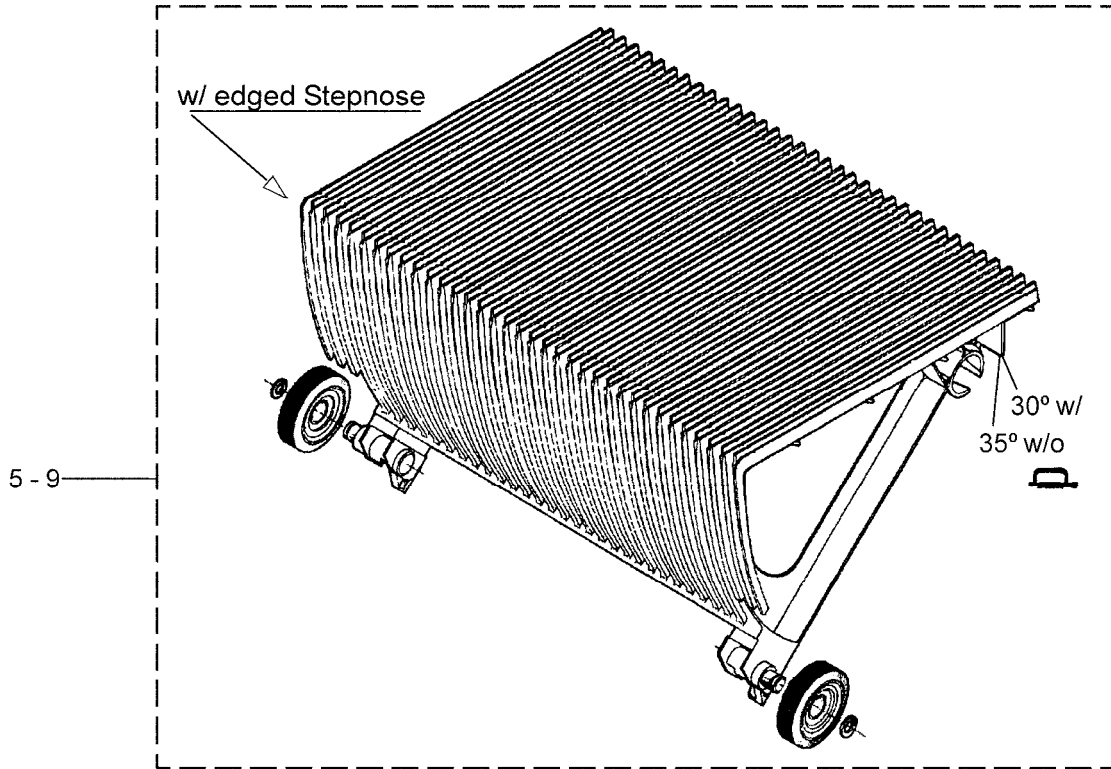
If you have any suggestions about this document, please contact the subject matter expert listed on this page.

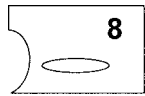
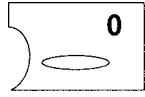
Escalator Step

53-GAA26410F



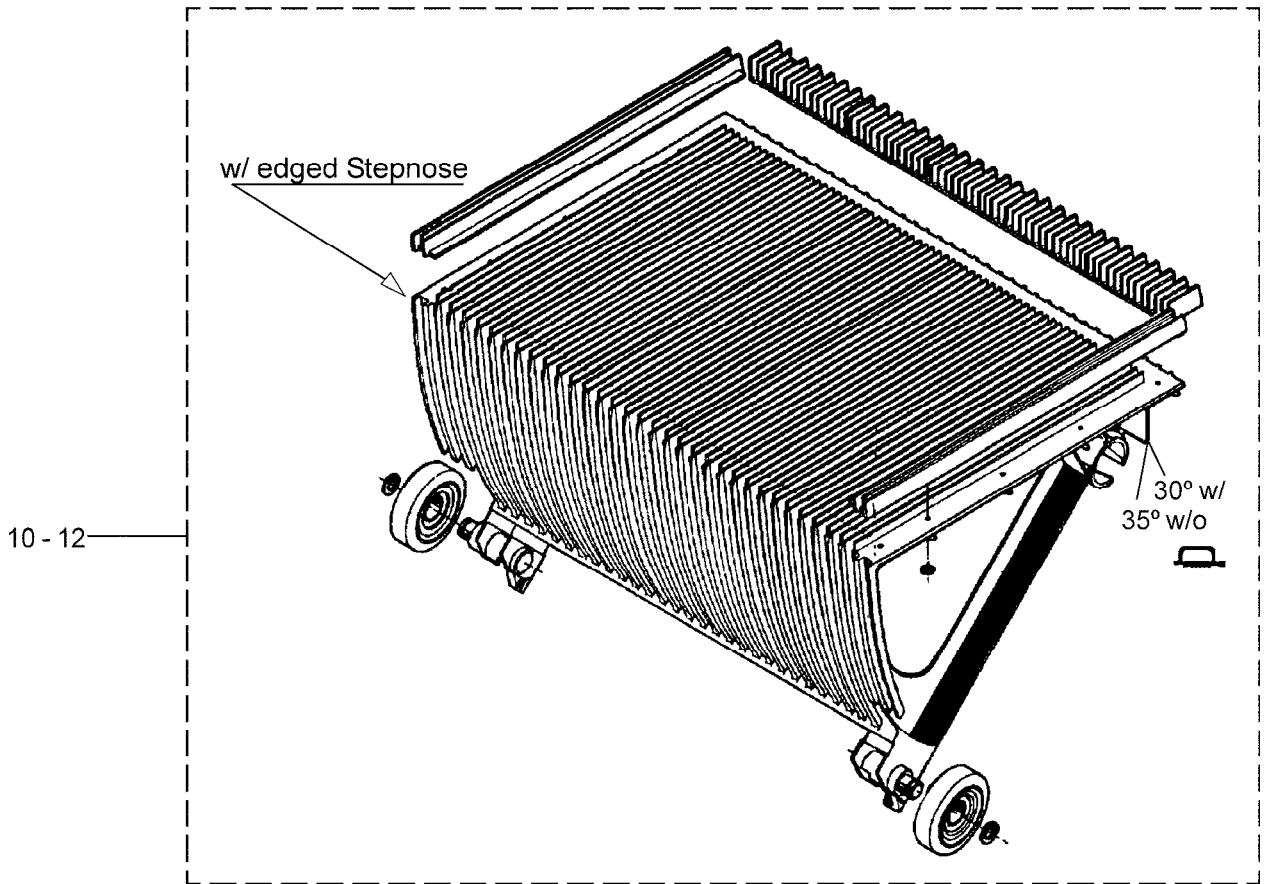
GAA26140F		DESCRIPTION	TREAD SURFACE	COLOR	LOCATED
REF. No.	PART No.				
1	GAA26140A1 GAA26140F1	Step 600	Treadplate & Riser Coated, w/o Tread Finish		Indoor
2	GAA26140A2 GAA26140F2	Step 800			
3	GAA26140A3 GAA26140F3	Step 1000			
4	GAA26140A4 GAA26140F4	Step 600	Treadplate & Riser Coated, w/ Tread Finish		

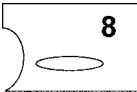


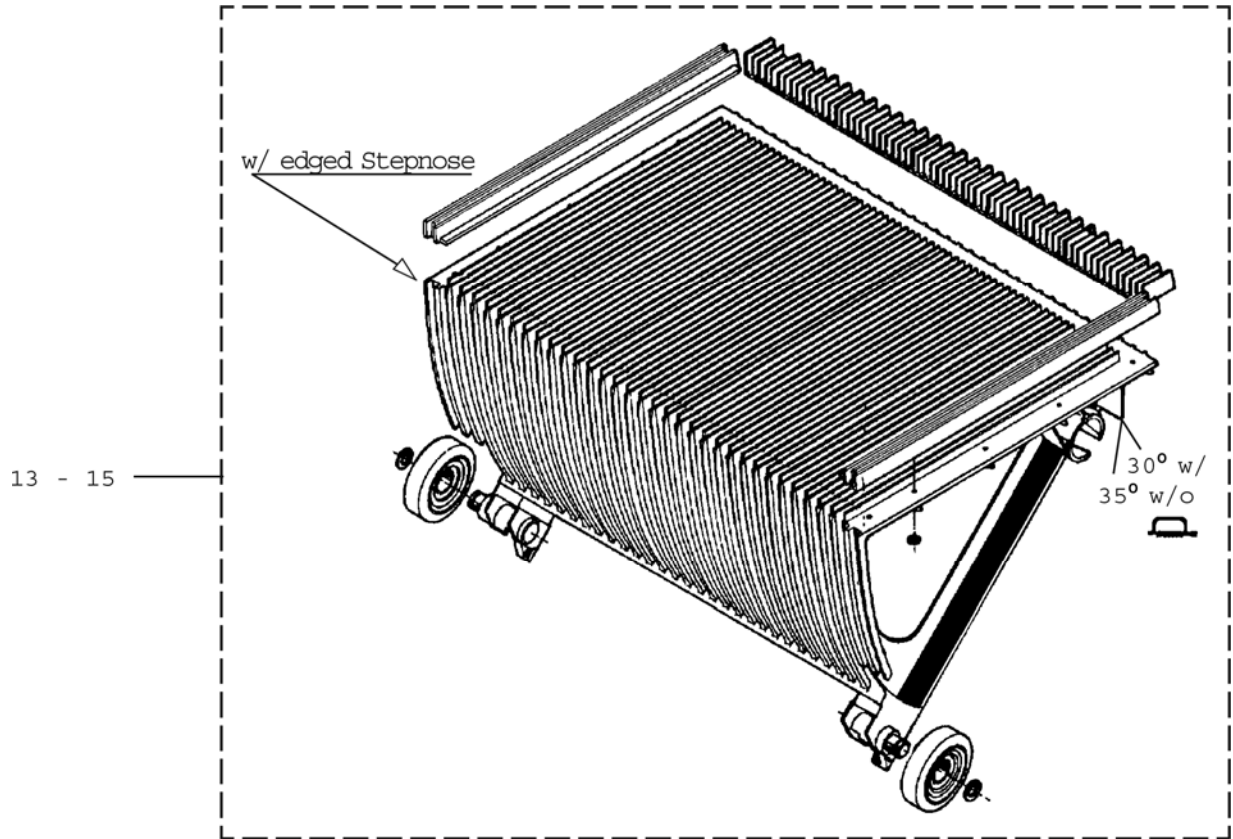
GAA26140F		DESCRIPTION	TREAD SURFACE	COLOR	LOCATED
REF. No.	PART No.				
5	GAA26140A5 GAA26140F5	Step 800	Treadplate & Riser Coated, w/ Tread Finish		Indoor
6	GAA26140A6 GAA26140F6	Step 1000			
7	GAA26140A7 GAA26140F7	Step 600			
8	GAA26140A8 GAA26140F8	Step 800			
9	GAA26140A9 GAA26140F9	Step 1000			
					

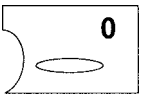
Escalator Step

53-GAA26410F



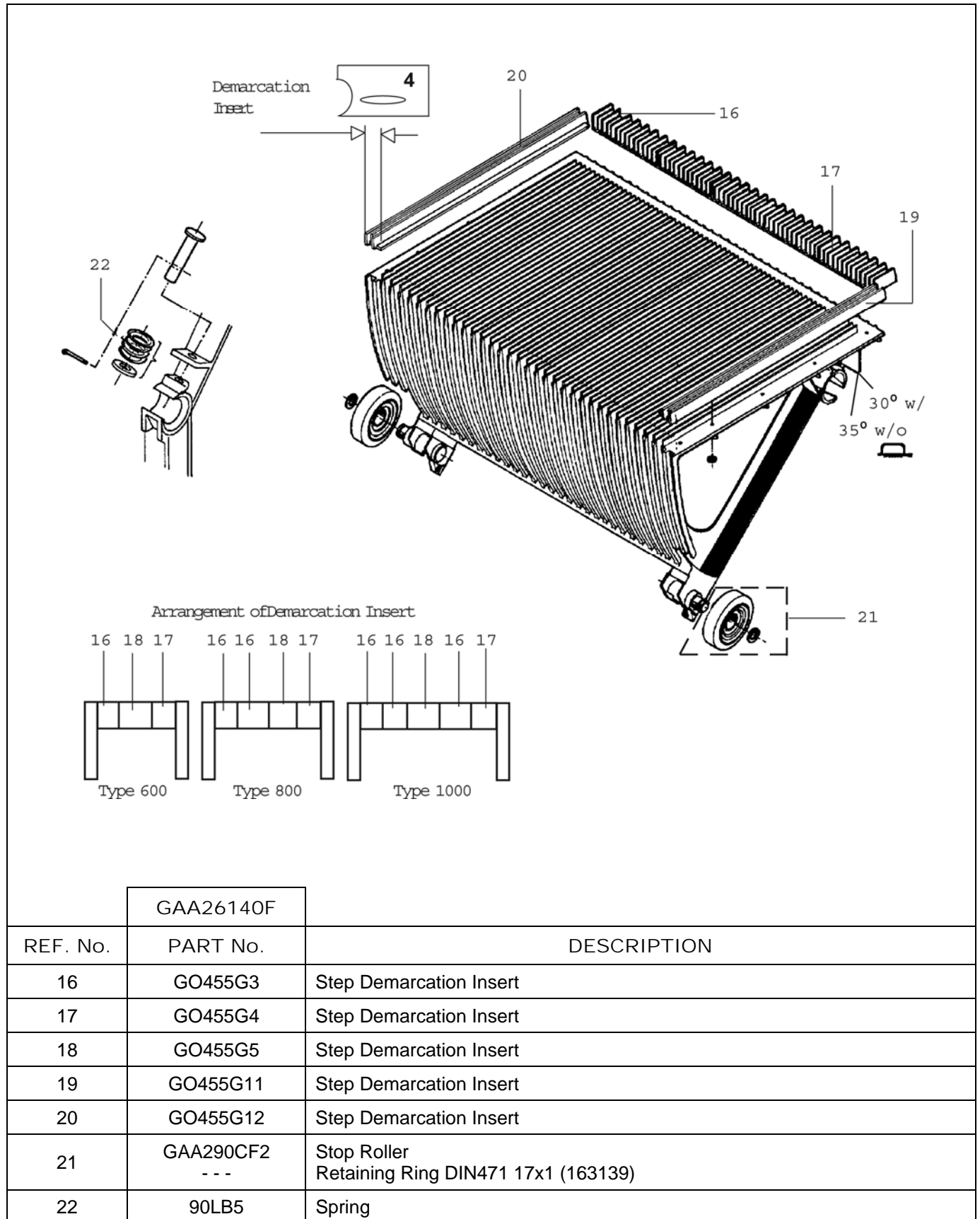
GAA26140F					
REF. No.	PART No.	DESCRIPTION	TREAD SURFACE	COLOR	LOCATED
10	GAA26140A10 GAA26140F10	Step 600	Treadplate & Riser Coated, w/ Tread Finish	 8	Indoor
11	GAA26140A11 GAA26140F11	Step 800			
12	GAA26140A12 GAA26140F12	Step 1000			

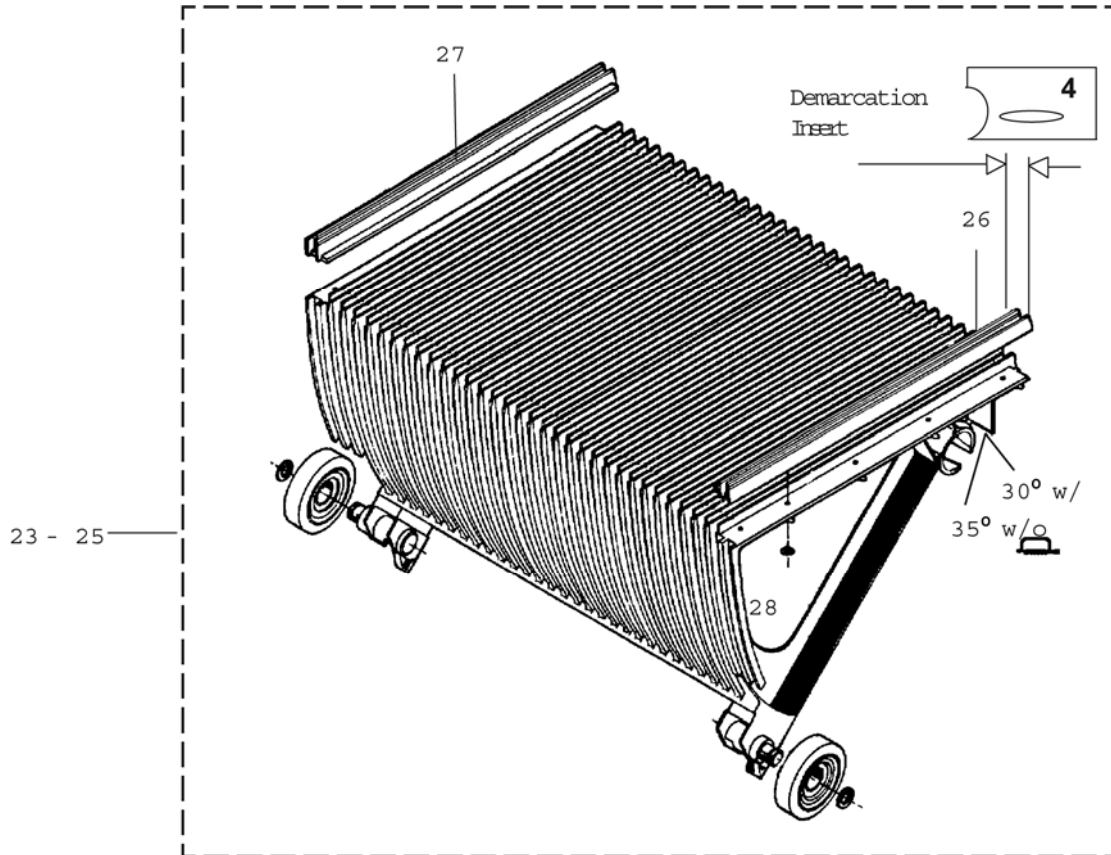


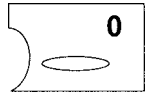
GAA26140F					
REF. No.	PART No.	DESCRIPTION	TREAD SURFACE	COLOR	LOCATED
13	GAA26140A13 GAA26140F13	Step 600	Treadplate & Riser Coated, w/ Tread Finish		Indoor
14	GAA26140A14 GAA26140F14	Step 800			
15	GAA26140A15 GAA26140F15	Step 1000			

Escalator Step

53-GAA26410F

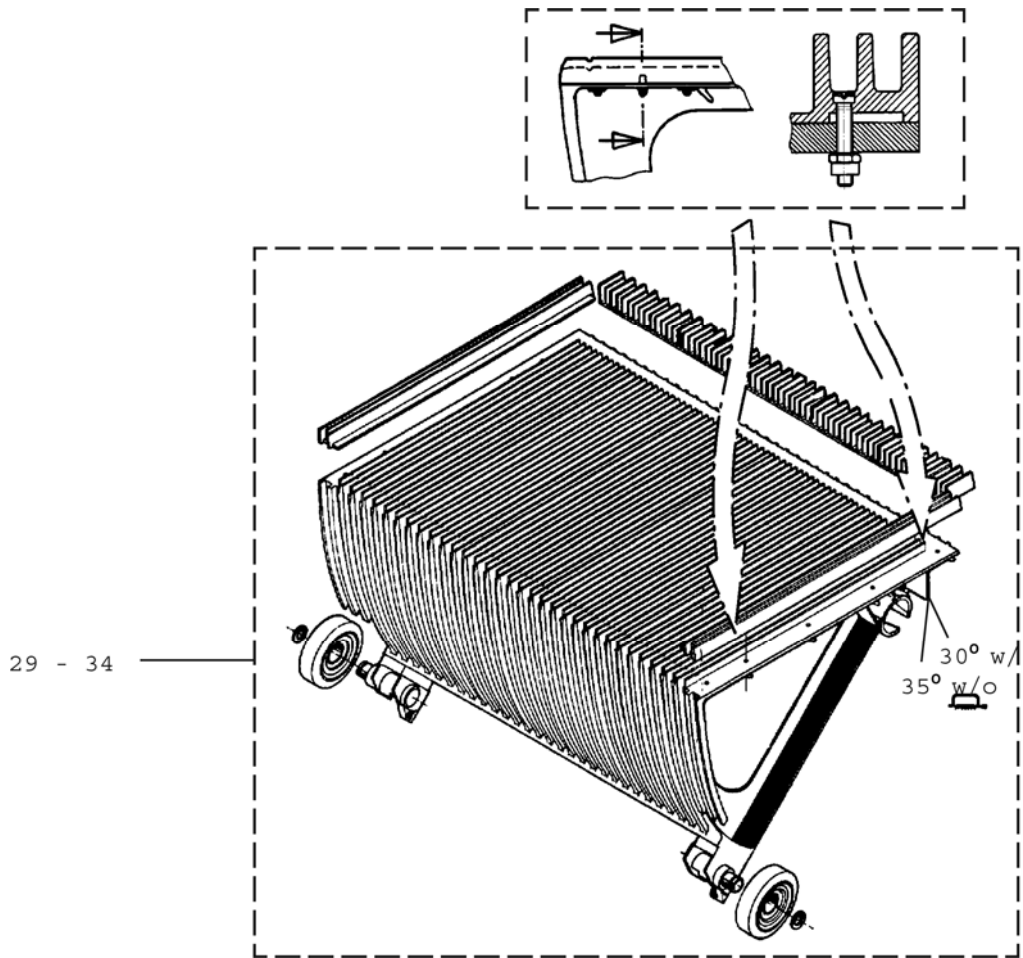


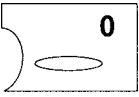
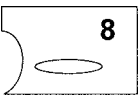


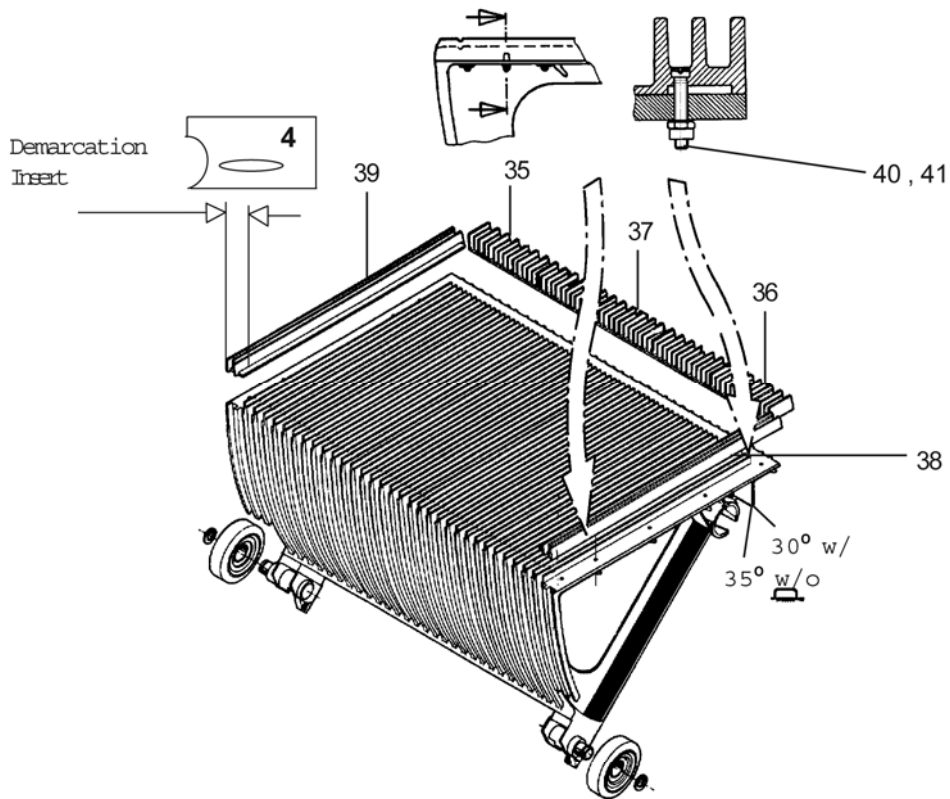
GAA26140F					
REF. No.	PART No.	DESCRIPTION	TREAD SURFACE	COLOR	LOCATED
23	GAA26140A16 GAA26140F16	Step 600	Treadplate & Riser Coated, w/ Tread Finish		Indoor
24	GAA26140A17 GAA26140F17	Step 800			
25	GAA26140A18 GAA26140F18	Step 1000			
26	GO455G16	Step Demarcation Insert			
27	GO455G17	Step Demarcation Insert			
28	---	Spring Nut FM13112FA Raymond (52175)			

Escalator Step

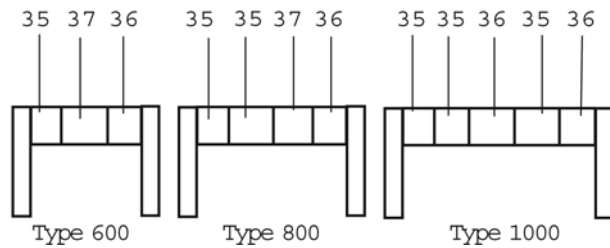
53-GAA26410F



REF. No.	PART No.	DESCRIPTION	TREAD SURFACE	COLOR	LOCATED
	GAA26140F				
29	GAA26140A19 GAA26140F19	w/Rounded Stepnose, Step 600	Treadplate & Riser Coated, w/ Tread Finish	 <p>0</p>	Indoor
30	GAA26140F20	Step 800			
31	GAA26140A20 GAA26140F21	w/Rounded Stepnose, Step 1000		 <p>8</p>	
32	GAA26140A21 GAA26140F22	w/Rounded Stepnose, Step 600			
33	GAA26140F23	Step 800			
34	GAA26140A22 GAA26140F24	w/Rounded Stepnose, Step 1000			



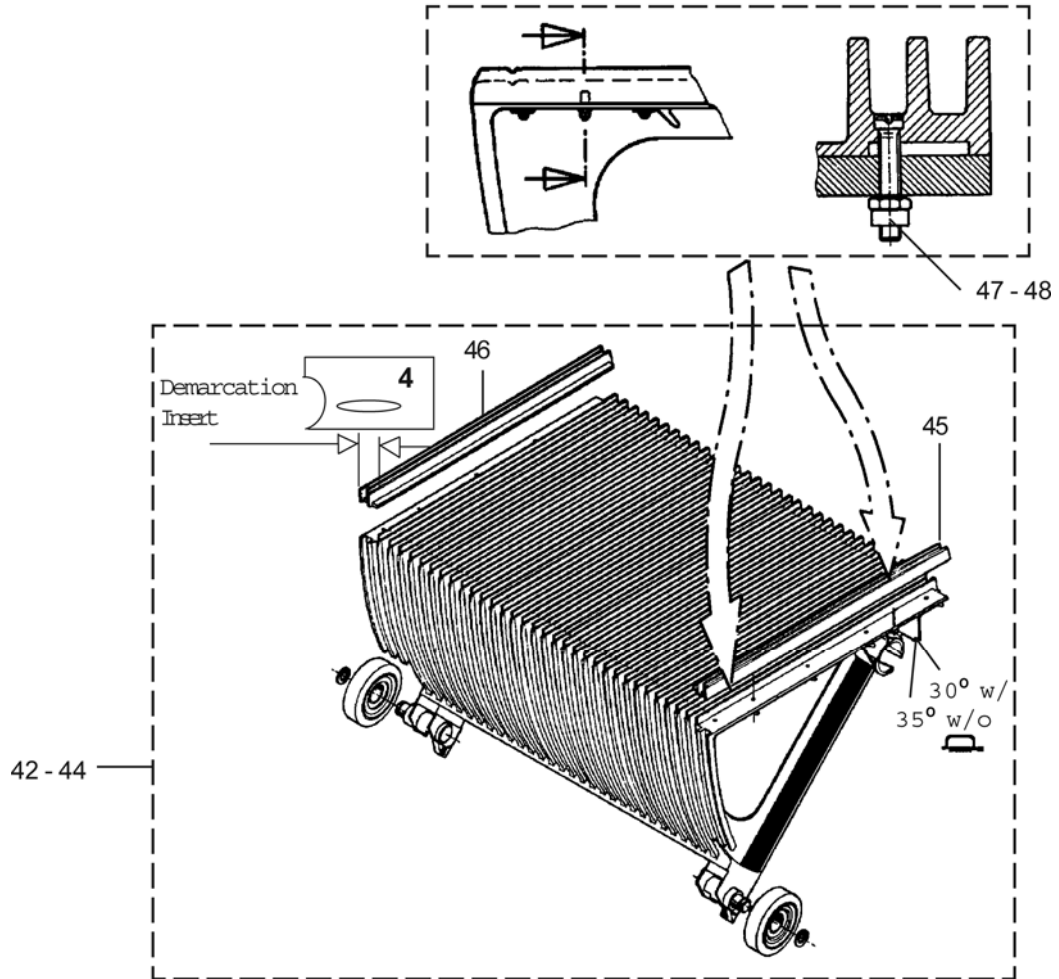
Arrangement of Demarcation Insert

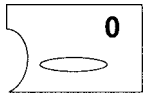


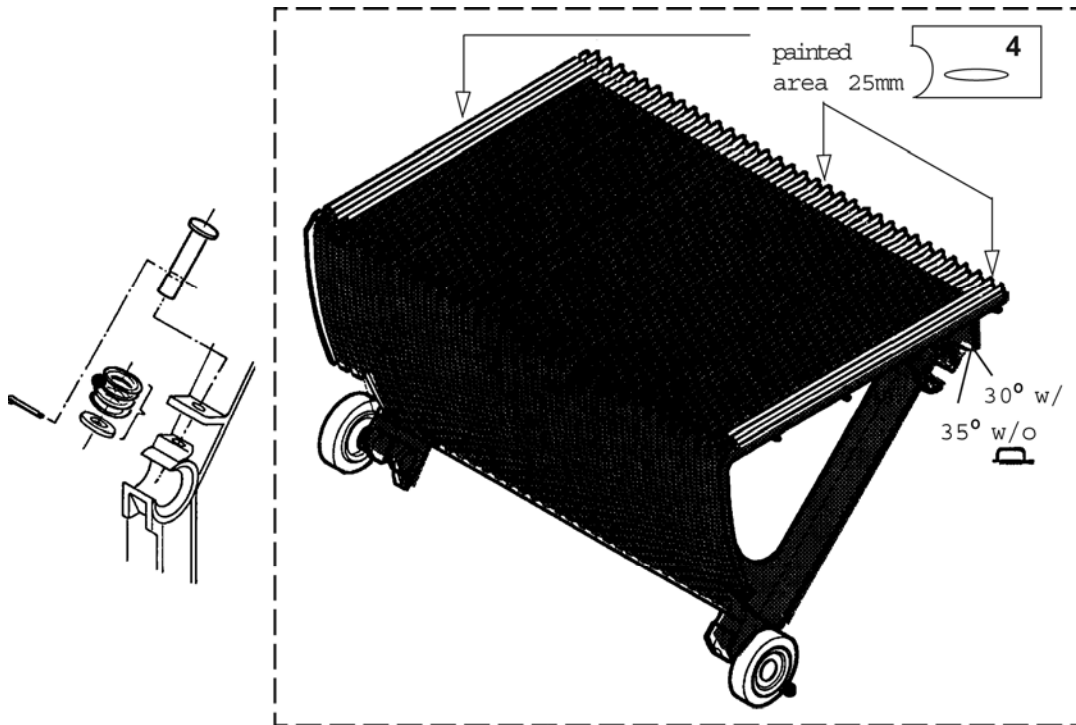
REF. No.	PART No.	DESCRIPTION
	GAA26140F	
35	GO455G3	Step Demarcation Insert
36	GO455G4	Step Demarcation Insert
37	GO455G5	Step Demarcation Insert
38	GO455G11	Step Demarcation Insert
39	GO455G12	Step Demarcation Insert
40	---	Slot Pan Head Screw (190496)
41	---	Prevailing Torque Type Hexagon Nut (190504)

Escalator Step

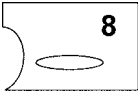

53-GAA26410F



REF. No.	PART No.	DESCRIPTION	TREAD SURFACE	COLOR	LOCATED
42	GAA26140A23 GAA26140F25	w/Rounded Stepnose, Step 600	Treadplate & Riser Coated, w/ Tread Finish		Indoor
43	GAA26140F26	Step 800			
44	GAA26140A24 GAA26140F27	w/Rounded Stepnose, Step 1000			
45	GO455G16	Step Demarcation Insert			
46	GO455G17	Step Demarcation Insert			
47	---	Slot Pan Head Screw (190496)			
48	---	Prevailing Torque Type Hexagon Nut (190504)			

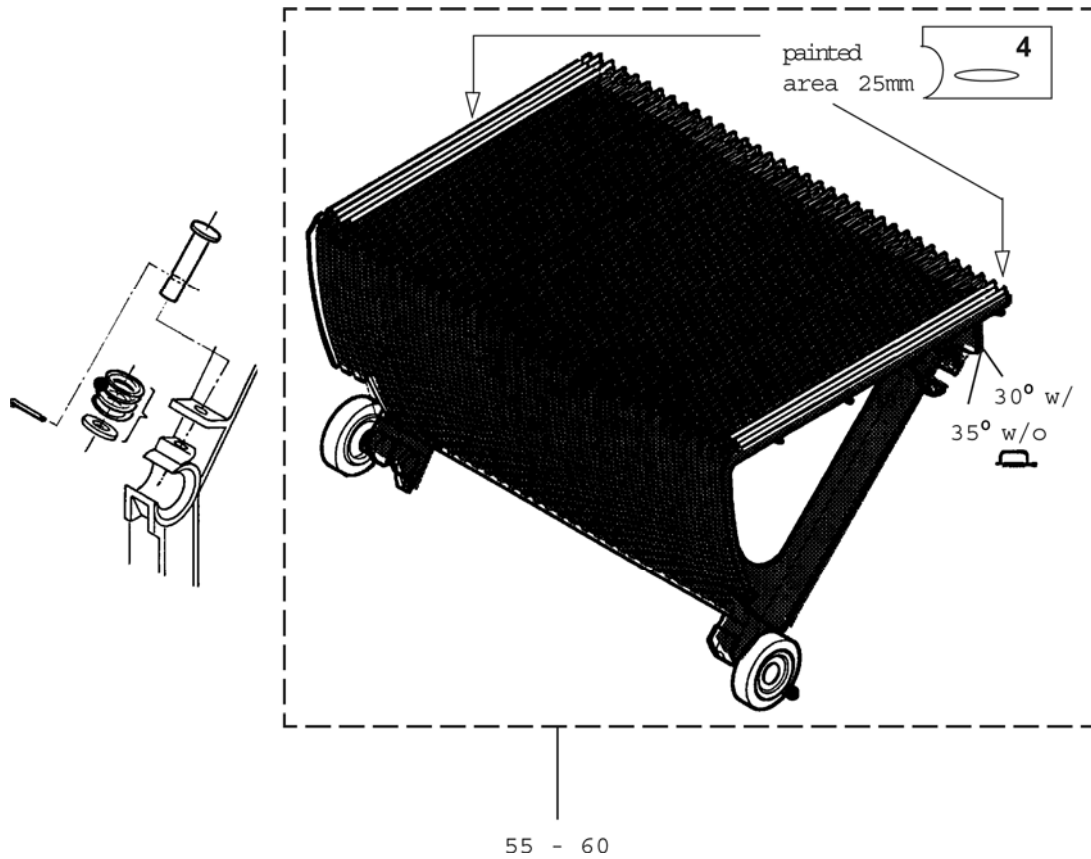


49 - 54

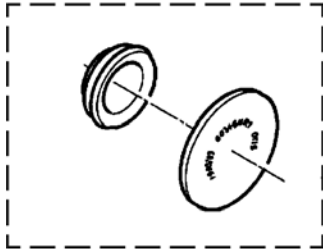
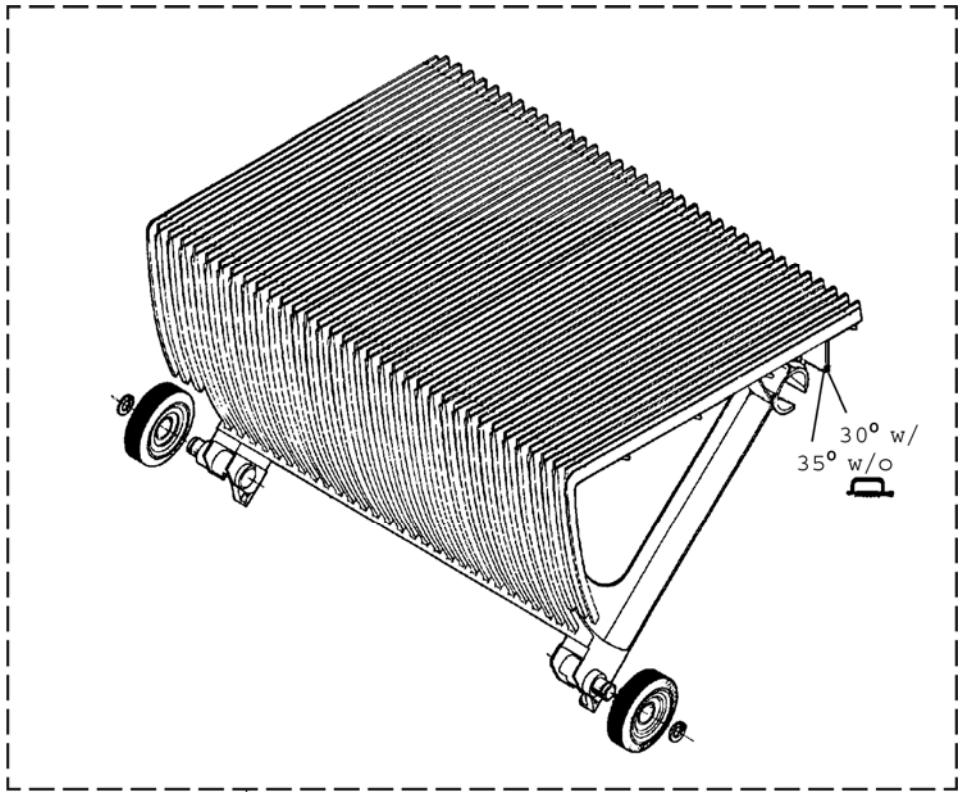
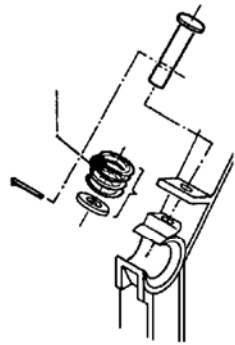
GAA26140F					
REF. No.	PART No.	DESCRIPTION	TREAD SURFACE	COLOR	LOCATED
49	GAA26140A25 GAA26140F28	Step 600	Treadplate & Riser Coated, w/ Tread Finish		Indoor
50	GAA26140A26 GAA26140F29	Step 800			
51	GAA26140A27 GAA26140F30	Step 1000			
52	GAA26140A28 GAA26140F31	Step 600			
53	GAA26140A29 GAA26140F32	Step 800			
54	GAA26140A30 GAA26140F33	Step 1000			

Escalator Step

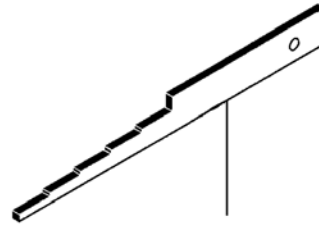
53-GAA26410F



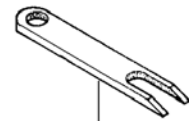
REF. No.	PART No.	DESCRIPTION	TREAD SURFACE	COLOR	LOCATED
	GAA26140F				
55	GAA26140A31 GAA26140F34	Step 600	Treadplate & Riser Coated, w/ Tread Finish		Indoor
56	GAA26140A32 GAA26140F35	Step 800			
57	GAA26140A33 GAA26140F36	Step 1000			
58	GAA26140A34 GAA26140F37	Step 600			
59	GAA26140A35 GAA26140F38	Step 800			
60	GAA26140A36 GAA26140F39	Step 1000			



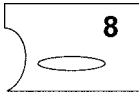
63 61 - 62



65

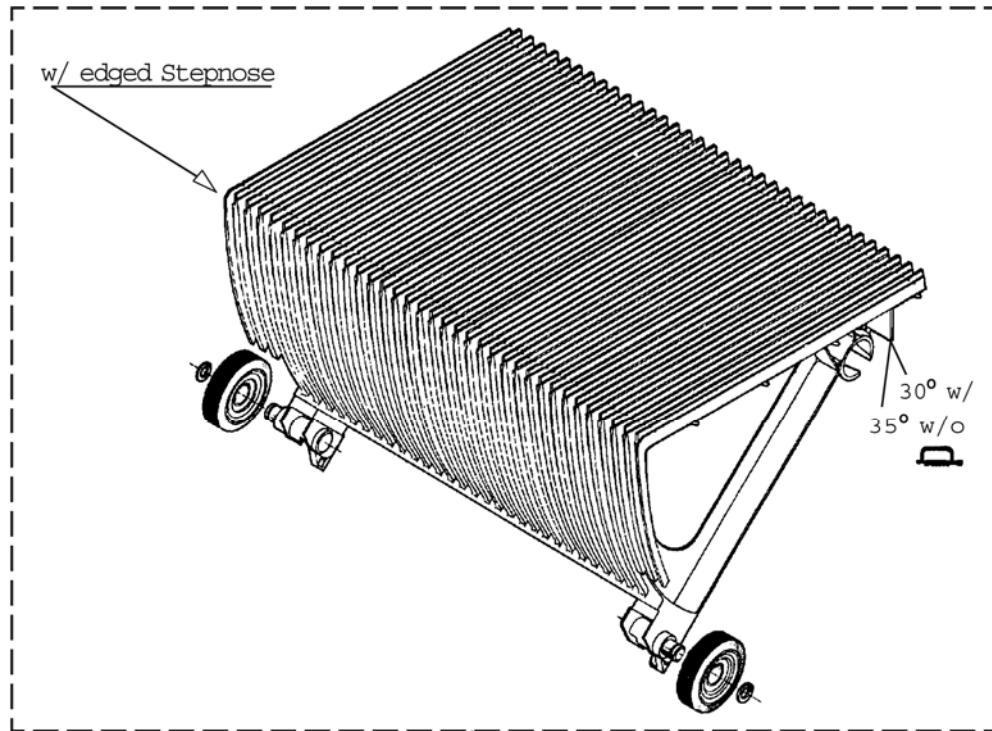


64

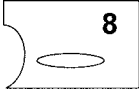
GAA26140F					
REF. No.	PART No.	DESCRIPTION	TREAD SURFACE	COLOR	LOCATED
61	GAA26140A38 GAA26140F40	Step 1000	Treadplate & Riser Coated, w/ Tread Finish	 8	Indoor
62	GAA26140A38 GAA26140F80	Step 1000	Treadplate, Riser & Complete Backside Coated, w/ Tread Finish		Outdoor
63	GO2215A5	Seal for Step Wheel			
64	GO6815Y1	Step Pin Lifter			
65	GO27BK1	Metric Feeler Gauge to Measure Gaps Between Comb/Step or Step/Step			

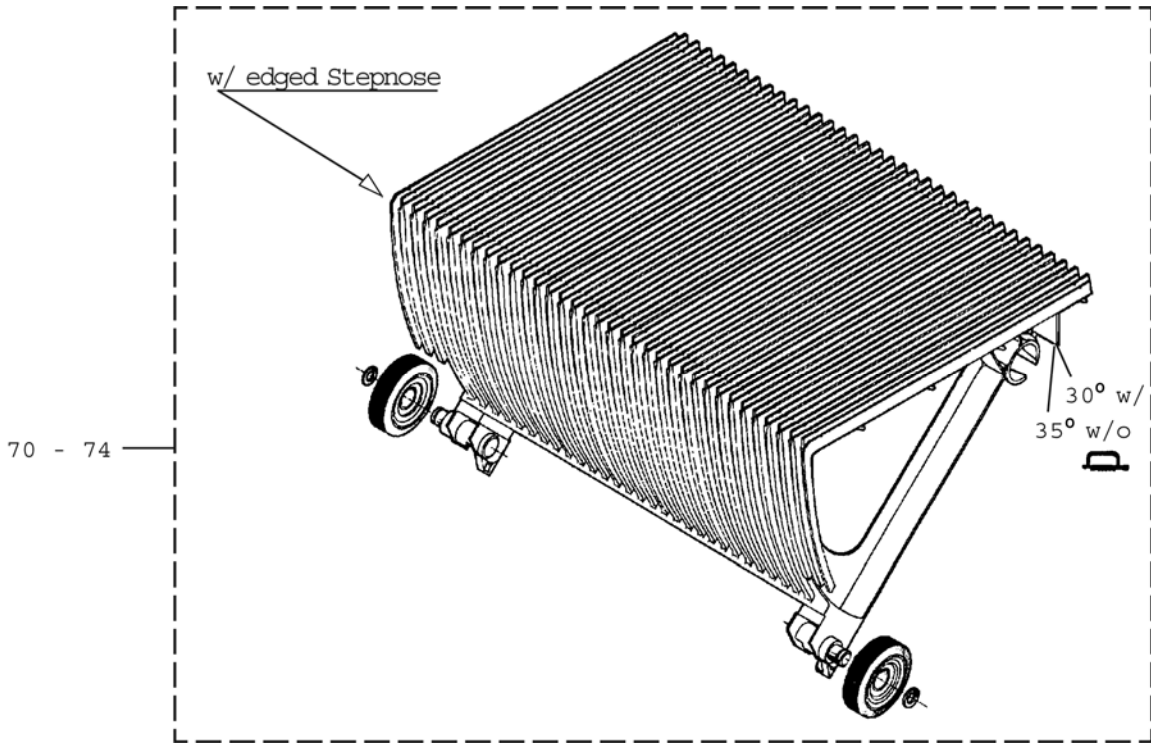
Escalator Step

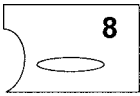
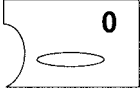
53-GAA26410F



66 - 69

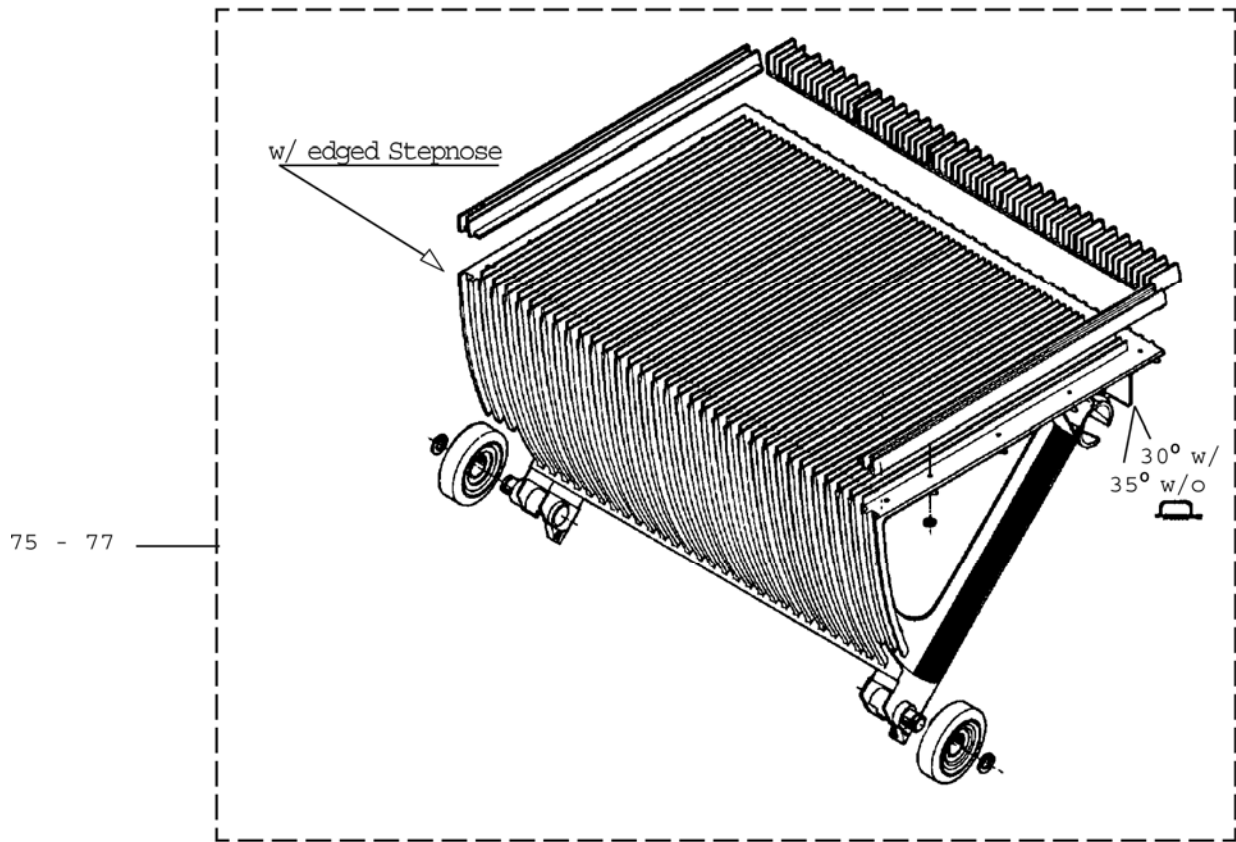
REF. No.	PART No.	DESCRIPTION	TREAD SURFACE	COLOR	LOCATED
	GAA26140F				
66	GAA26140A1 GAA26140F41	Step 600	Treadplate, Riser & Complete Backside Coated, w/o Tread Finish	 8	Outdoor
67	GAA26140A2 GAA26140F42	Step 800			
68	GAA26140A3 GAA26140F43	Step 1000			
69	GAA26140A4 GAA26140F44	Step 600	Treadplate, Riser & Complete Backside Coated, w/Tread Finish		

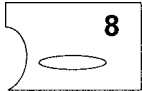


GAA26140F					
REF. No.	PART No.	DESCRIPTION	TREAD SURFACE	COLOR	LOCATED
70	GAA26140A5 GAA26140F45	Step 800	Treadplate, Riser & Complete Backside Coated, w/Tread Finish		Outdoor
71	GAA26140A6 GAA26140F46	Step 1000			
72	GAA26140A7 GAA26140F47	Step 600			
73	GAA26140A8 GAA26140F48	Step 800			
74	GAA26140A9 GAA26140F49	Step 1000			
					

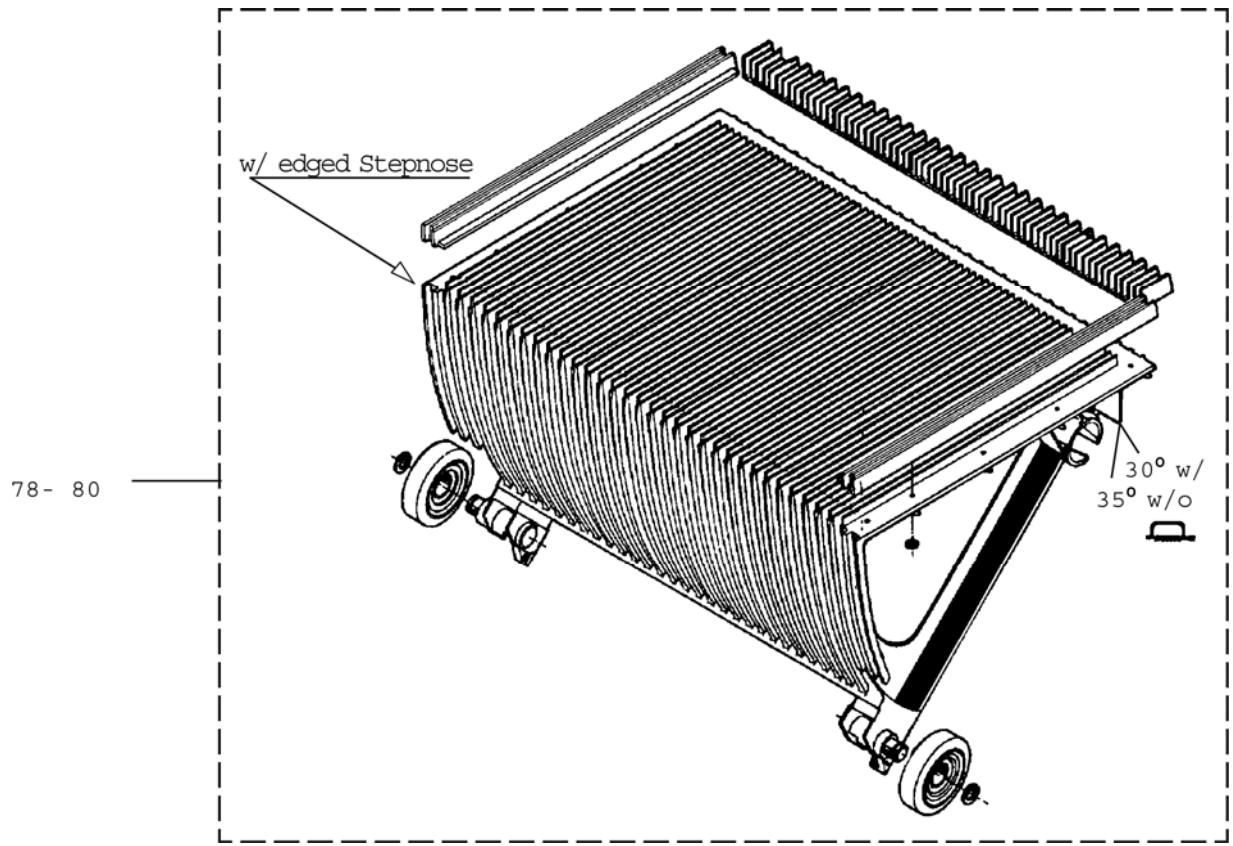
Escalator Step

53-GAA26410F



REF. No.	PART No.	DESCRIPTION	TREAD SURFACE	COLOR	LOCATED
	GAA26140F				
75	GAA26140A10 GAA26140F50	Step 600	Treadplate Riser & Complete Backside Coated, w/Tread Finish		Outdoor
76	GAA26140A11 GAA26140F51	Step 800			
77	GAA26140A12 GAA26140F52	Step 1000			

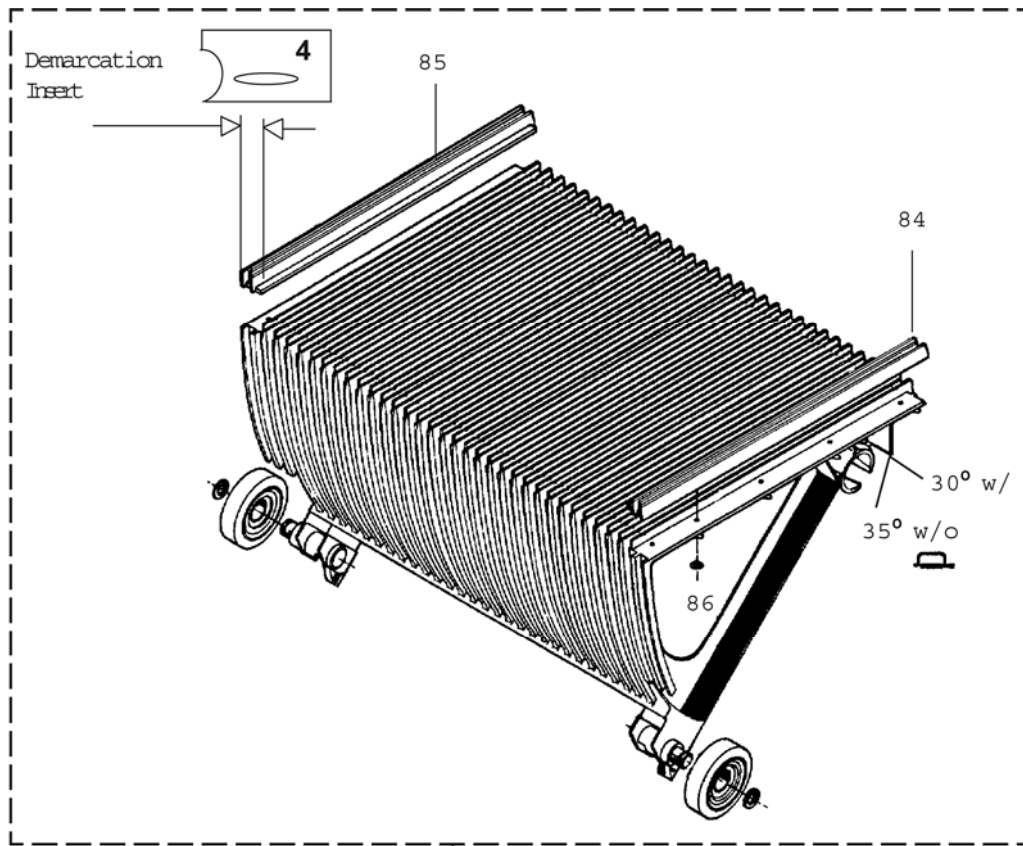
For Demarcation inserts, refer to page 7.



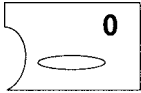
REF. No.	PART No.	DESCRIPTION	TREAD SURFACE	COLOR	LOCATED
	GAA26140F				
78	GAA26140A13 GAA26140F53	Step 600	Treadplate Riser & Complete Backside Coated, w/Tread Finish		Outdoor
79	GAA26140A14 GAA26140F54	Step 800			
80	GAA26140A15 GAA26140F55	Step 1000			

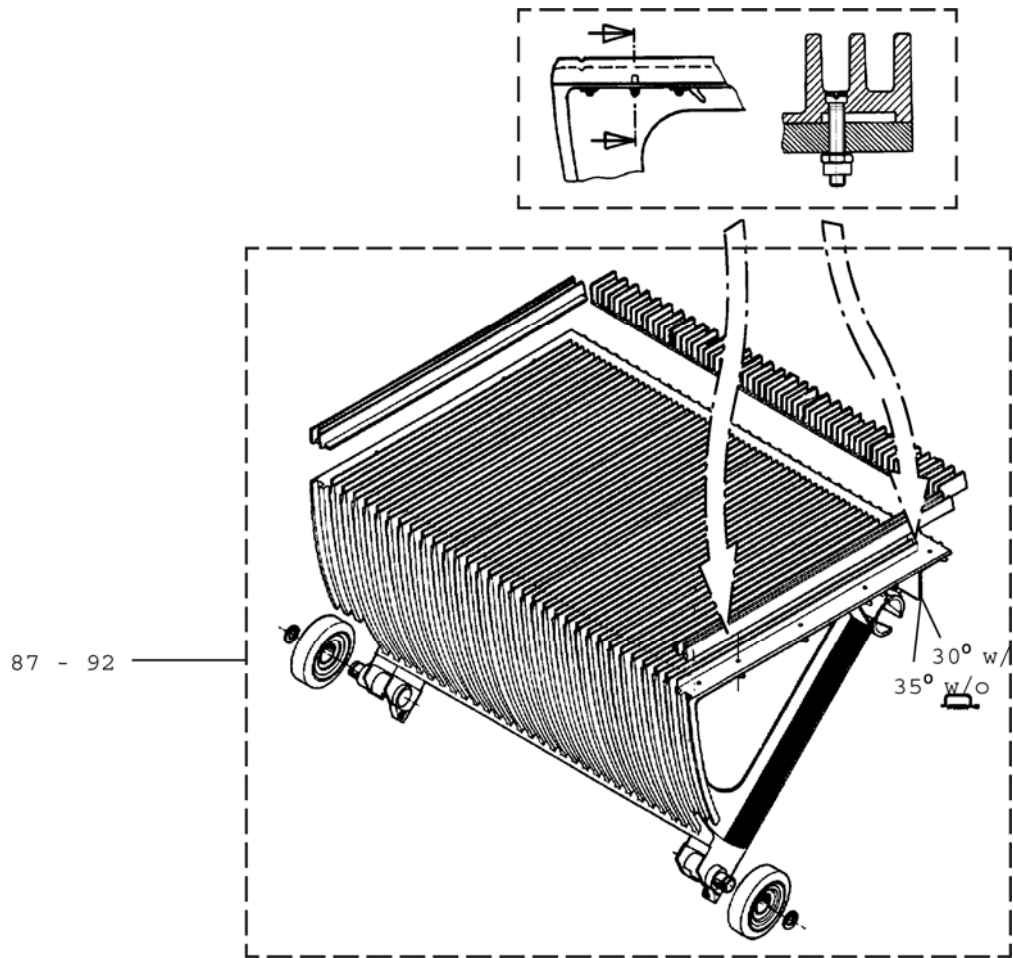
Escalator Step

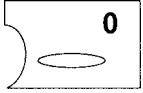
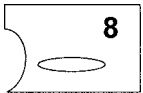
53-GAA26410F



81 - 83

GAA26140F					
REF. No.	PART No.	DESCRIPTION	TREAD SURFACE	COLOR	LOCATED
81	GAA26140A16 GAA26140F56	Step 600	Treadplate, Riser & Complete Backside Coated, w/Tread Finish		Outdoor
82	GAA26140A17 GAA26140F57	Step 800			
83	GAA26140A18 GAA26140F58	Step 1000			
84	GO455G16	Step Demarcation Insert			
85	GO455G17	Step Demarcation Insert			
86	---	Spring Nut FM13112FA Raymond (52175)			

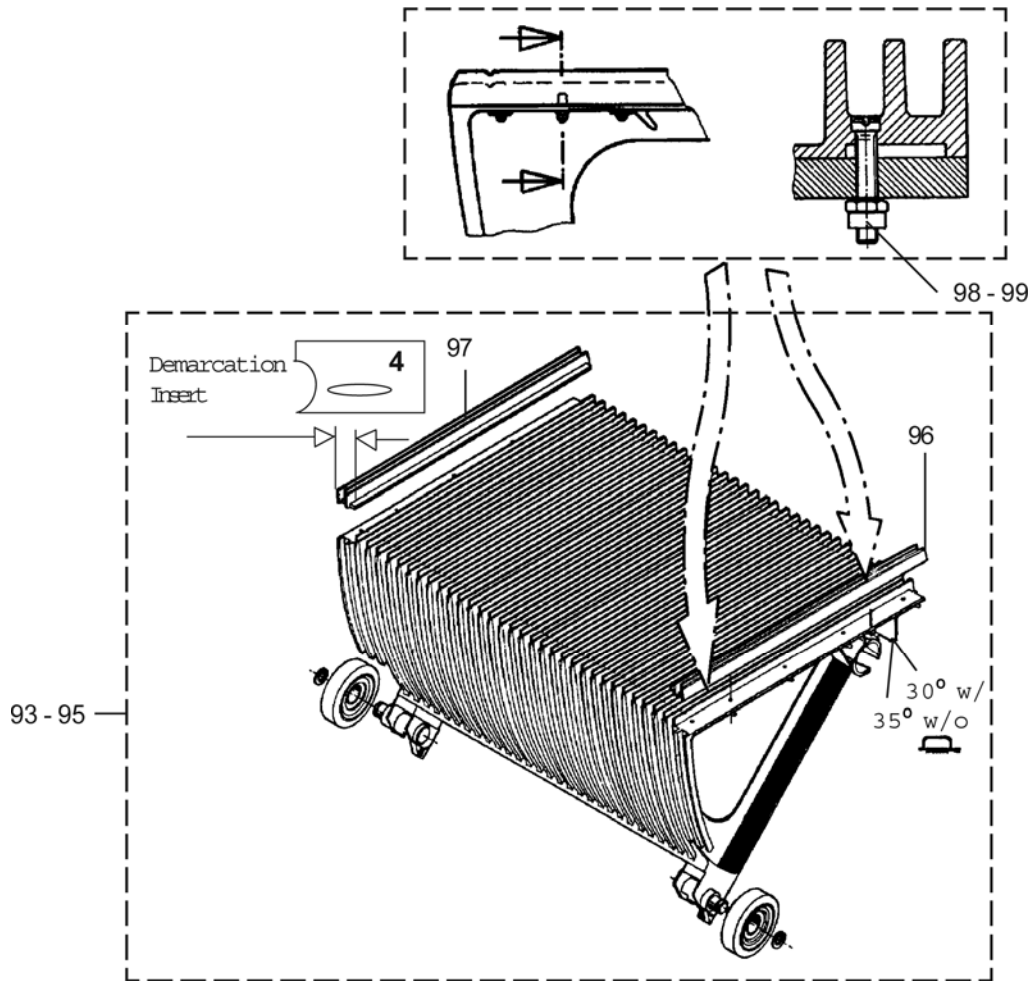


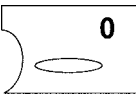
GAA26140F					
REF. No.	PART No.	DESCRIPTION	TREAD SURFACE	COLOR	LOCATED
87	GAA26140A19 GAA26140F59	w/Rounded Stepnose, Step 600	Treadplate, Riser & Complete Backside Coated, w/Tread Finish	 0	Outdoor
88	GAA26140F60	Step 800			
89	GAA26140A20 GAA26140F61	w/Rounded Stepnose, Step 1000		 8	
90	GAA26140A21 GAA26140F62	w/Rounded Stepnose, Step 600			
91	GAA26140F63	Step 800			
92	GAA26140A22 GAA26140F64	w/Rounded Stepnose, Step 1000			

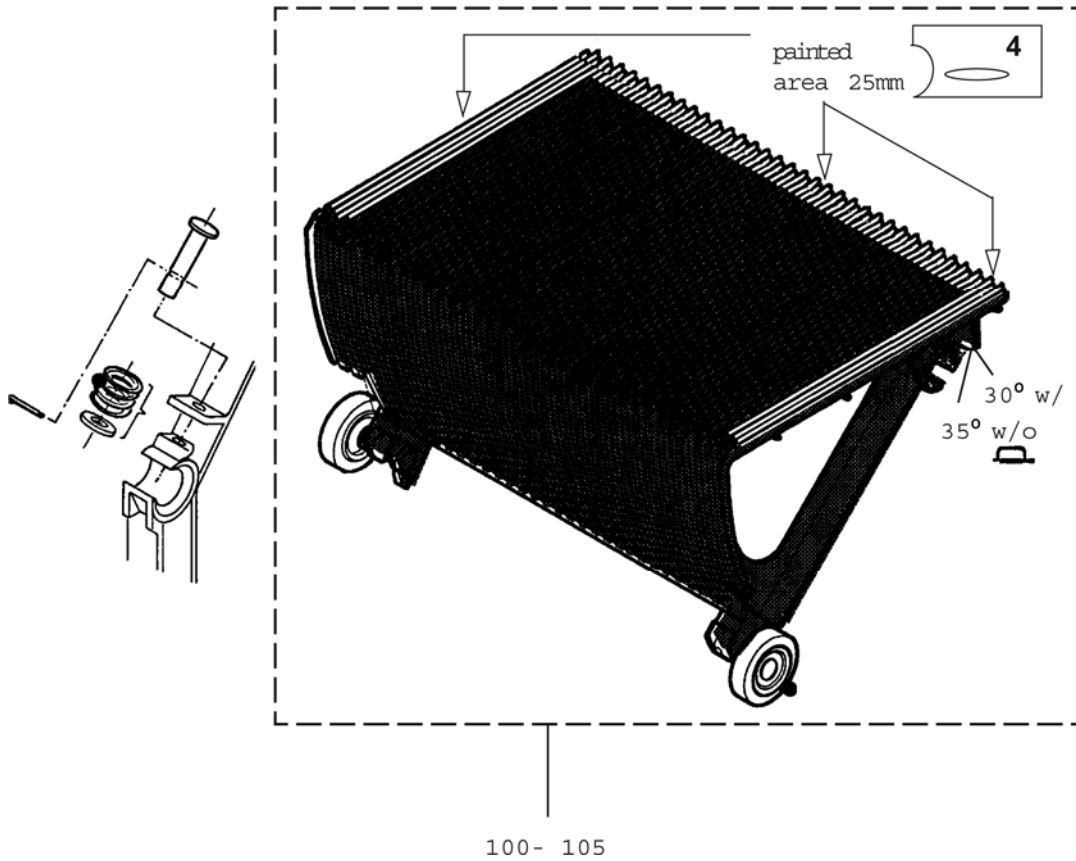
NOTE: For demarcation inserts, refer to page 10.

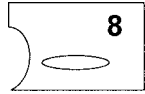
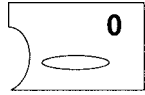
Escalator Step

53-GAA26410F



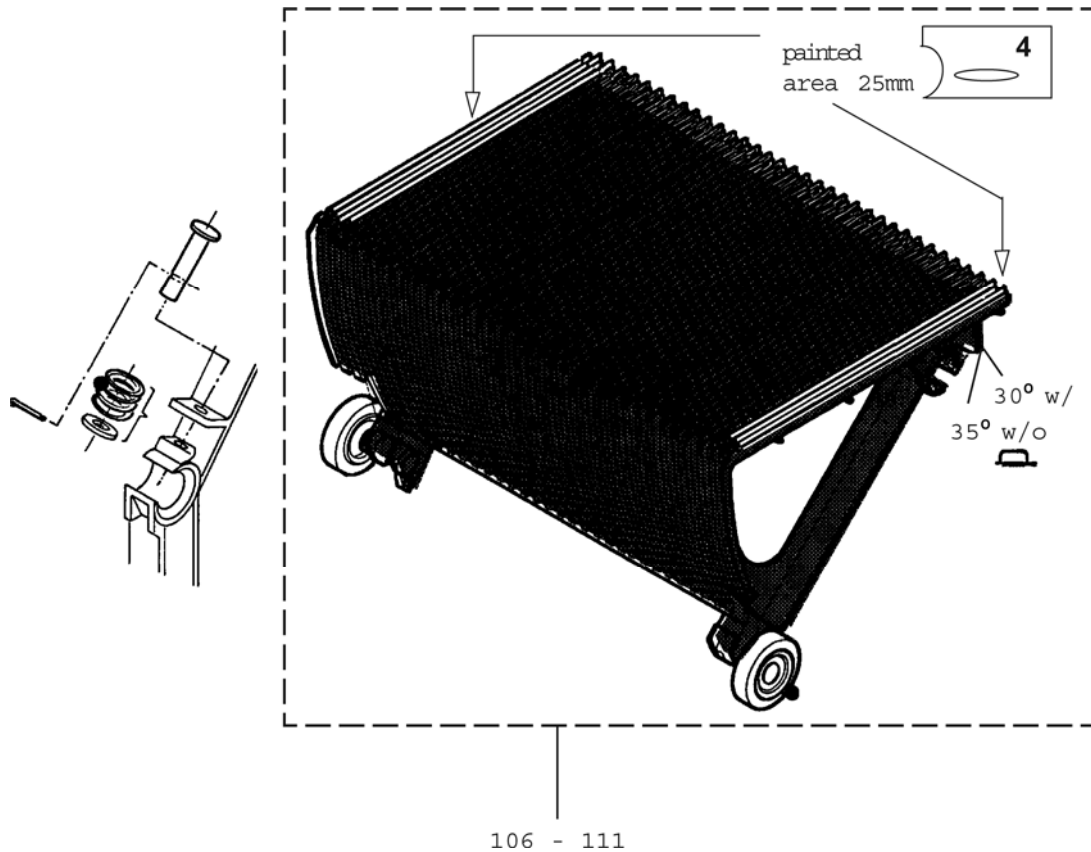
REF. No.	PART No.	DESCRIPTION	TREAD SURFACE	COLOR	LOCATED
93	GAA26140A23 GAA26140F65	w/Rounded Stepnose, Step 600	Treadplate, Riser & Complete Backside Coated, w/Tread Finish		Outdoor
94	GAA26140F66	Step 800			
95	GAA26140A24 GAA26140F67	w/Rounded Stepnose, Step 1000			
96	GO455G16	Step Demarcation Insert			
97	GO455G17	Step Demarcation Insert			
98	---	Slot Pan Head Screw (190496)			
99	---	Prevailing Torque Type Hexagon Nut (190504)			

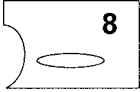
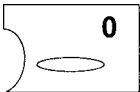


REF. No.	PART No.	DESCRIPTION	TREAD SURFACE	COLOR	LOCATED
	GAA26140F				
100	GAA26140A25 GAA26140F68	Step 600	Treadplate, Riser & Complete Backside Coated, w/Tread Finish		Outdoor
101	GAA26140A26 GAA26140F69	Step 800			
102	GAA26140A27 GAA26140F70	Step 1000			
103	GAA26140A28 GAA26140F71	Step 600			
104	GAA26140A29 GAA26140F72	Step 800			
105	GAA26140A30 GAA26140F73	Step 1000			

Escalator Step

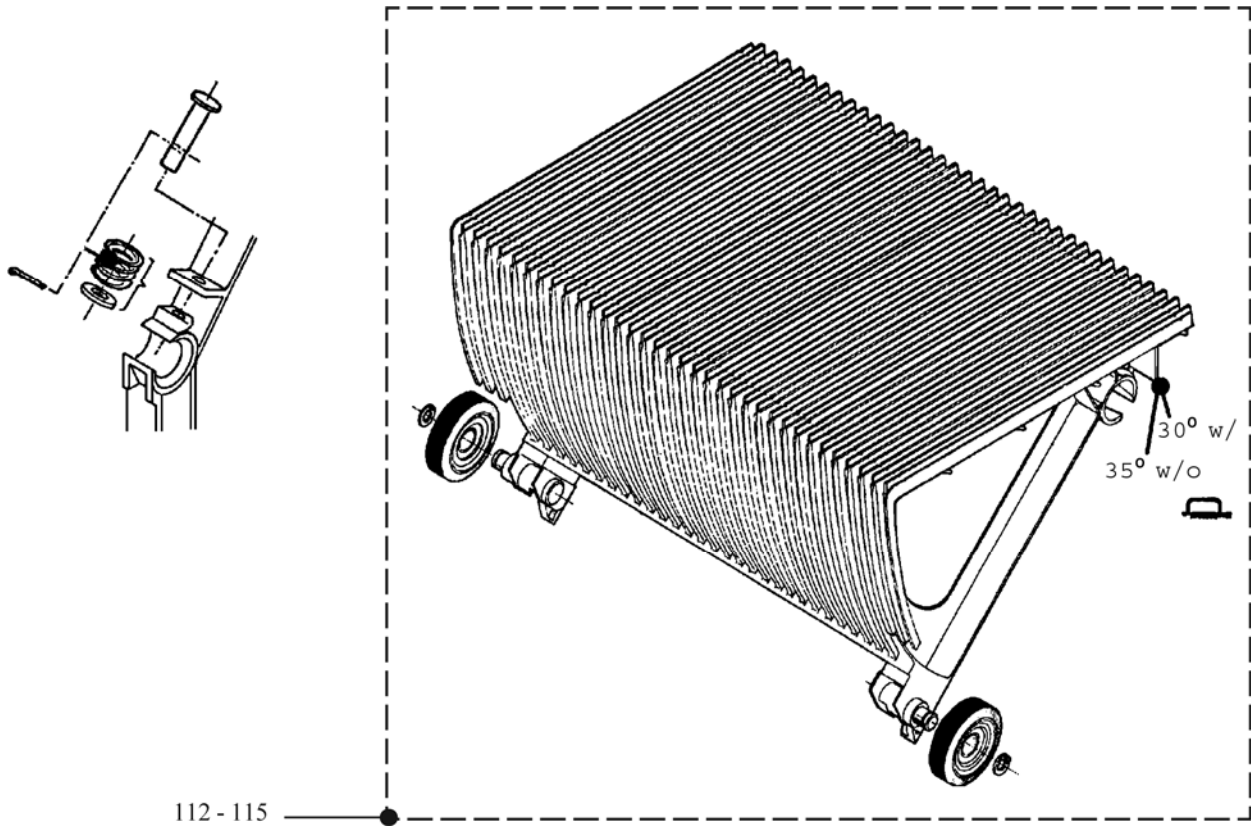
53-GAA26410F



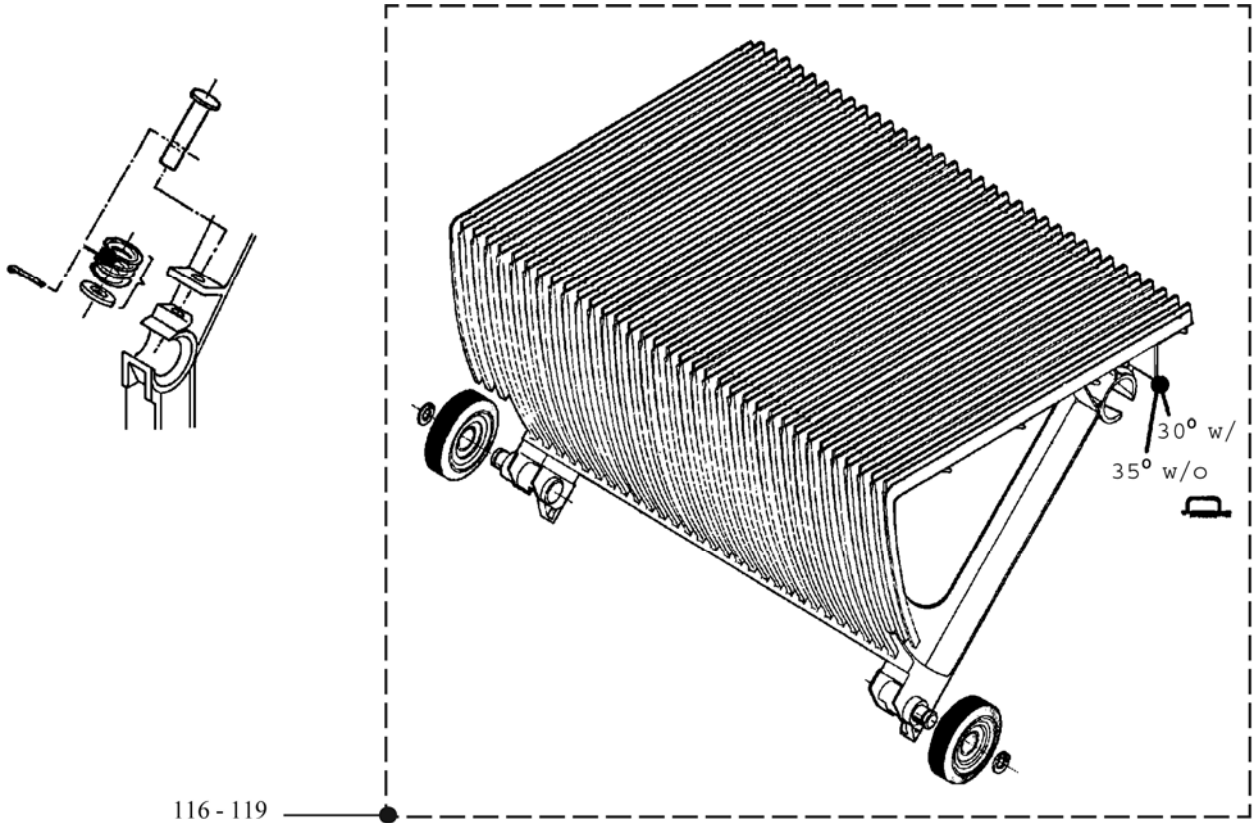
GAA26140F					
REF. No.	PART No.	DESCRIPTION	TREAD SURFACE	COLOR	LOCATED
106	GAA26140A31 GAA26140F74	Step 600	Treadplate, Riser & Complete Backside Coated, w/Tread Finish		Outdoor
107	GAA26140A32 GAA26140F75	Step 800			
108	GAA26140A33 GAA26140F76	Step 1000			
109	GAA26140A34 GAA26140F77	Step 600			
110	GAA26140A35 GAA26140F78	Step 800			
111	GAA26140A36 GAA26140F79	Step 1000			

Escalator Step

53-GAA26410F

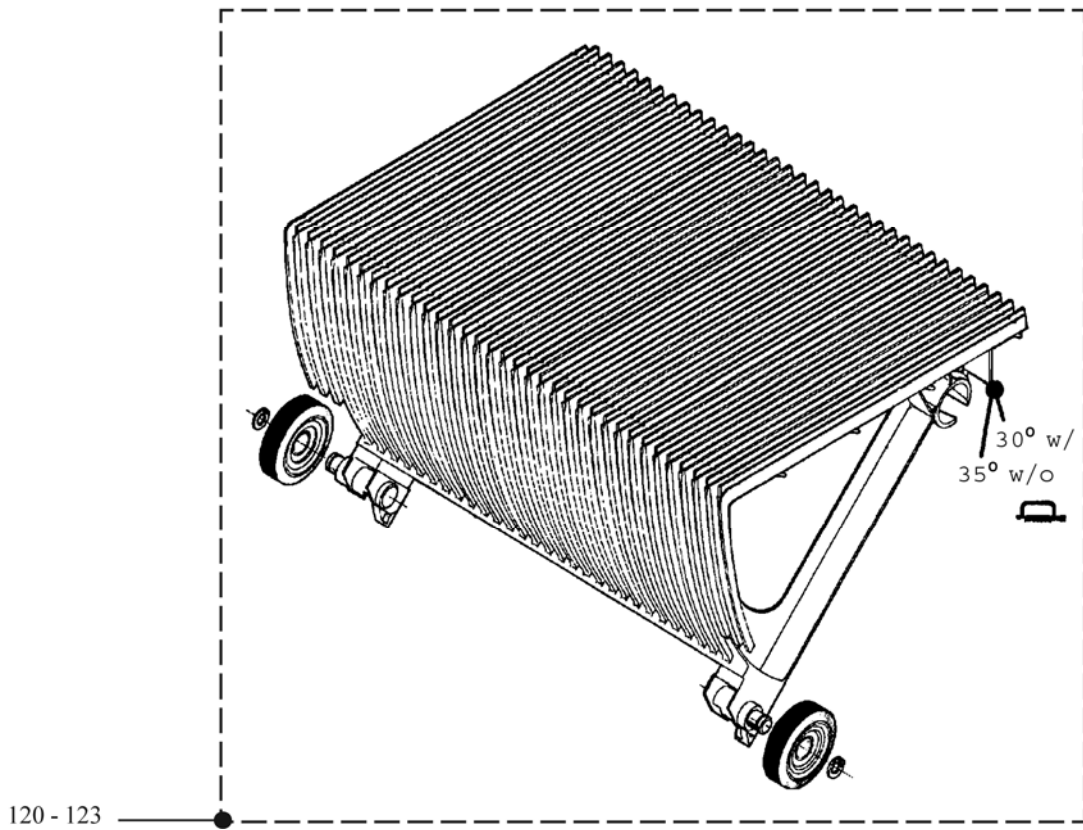


REF. No.	PART No.	DESCRIPTION
	GAA26140F	
112	GAA26140A42 GAA26140F161	Step 600, Non-Painted Without Tread Finish
113	GAA26140F162	Step 600, Non-Painted with Tread Finish
114	GAA26140F163	Step 600, Non-Painted with Tread Finish, 3 Sides Yellow Coated
115	GAA26140F164	Step 600, Non-Painted with Tread Finish, 2 Sides Yellow Coated



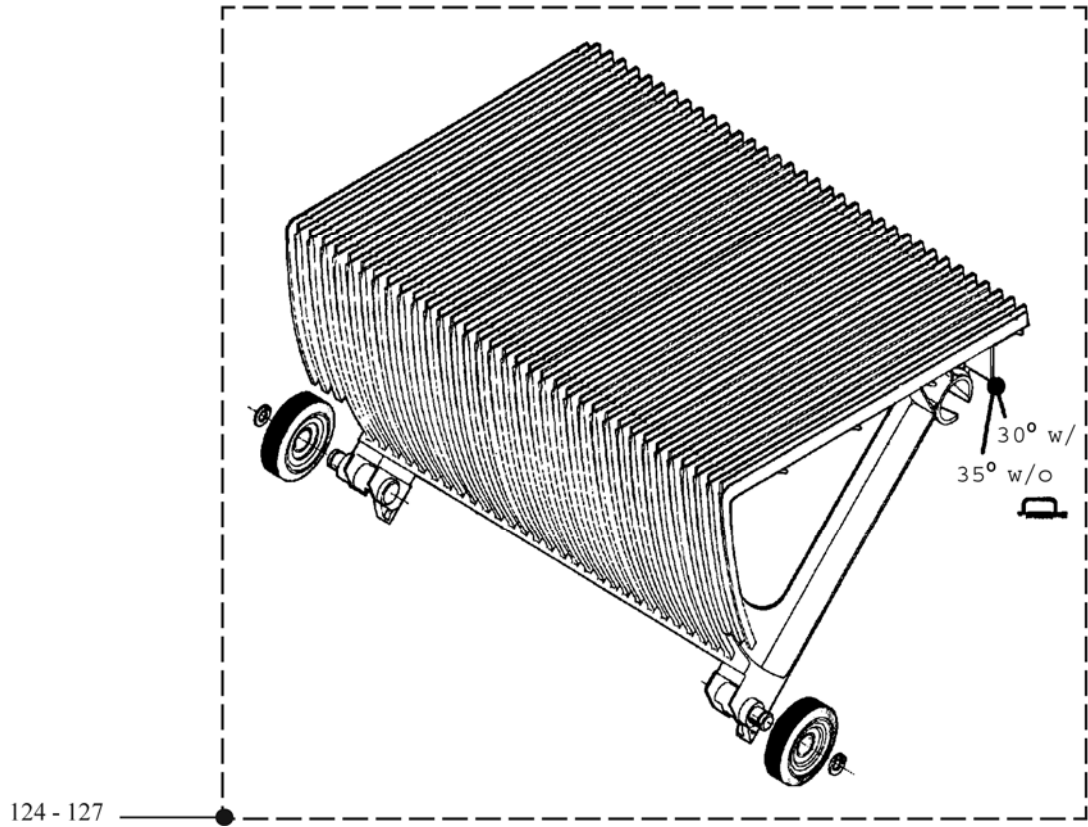
REF. No.	PART No.	DESCRIPTION
	GAA26140F	
116	GAA26140A43 GAA26140F169	Step 800, Non-Painted Without Tread Finish
117	GAA26140F170	Step 800, Non-Painted with Tread Finish
118	GAA26140F171	Step 800, Non-Painted with Tread Finish, 3 Sides Yellow Coated
119	GAA26140F172	Step 800, Non-Painted with Tread Finish, 2 Sides Yellow Coated

WITHOUT INDEX PIN



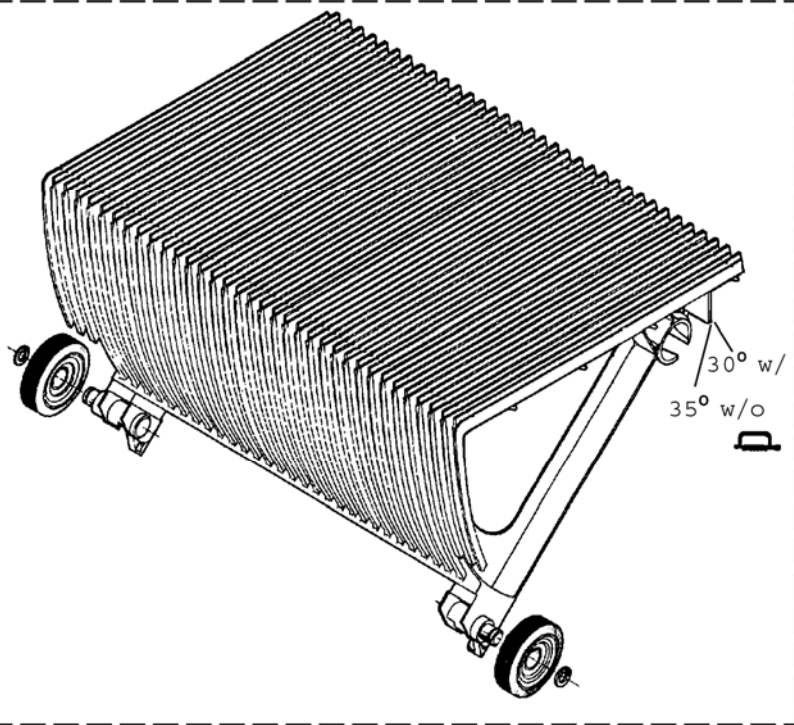
REF. No.	PART No.	DESCRIPTION
	GAA26140F	
120	GAA26140F165	Step 600, Non-Painted Without Tread Finish
121	GAA26140F166	Step 600, Non-Painted with Tread Finish
122	GAA26140F167	Step 600, Non-Painted with Tread Finish, 3 Sides Yellow Coated
123	GAA26140F168	Step 600, Non-Painted with Tread Finish, 2 Sides Yellow Coated

WITHOUT INDEX PIN



REF. No.	PART No.	DESCRIPTION
	GAA26140F	
124	GAA26140F173	Step 800, Non-Painted Without Tread Finish
125	GAA26140F174	Step 800, Non-Painted with Tread Finish
126	GAA26140F175	Step 800, Non-Painted with Tread Finish, 3 Sides Yellow Coated
127	GAA26140F176	Step 800, Non-Painted with Tread Finish, 2 Sides Yellow Coated

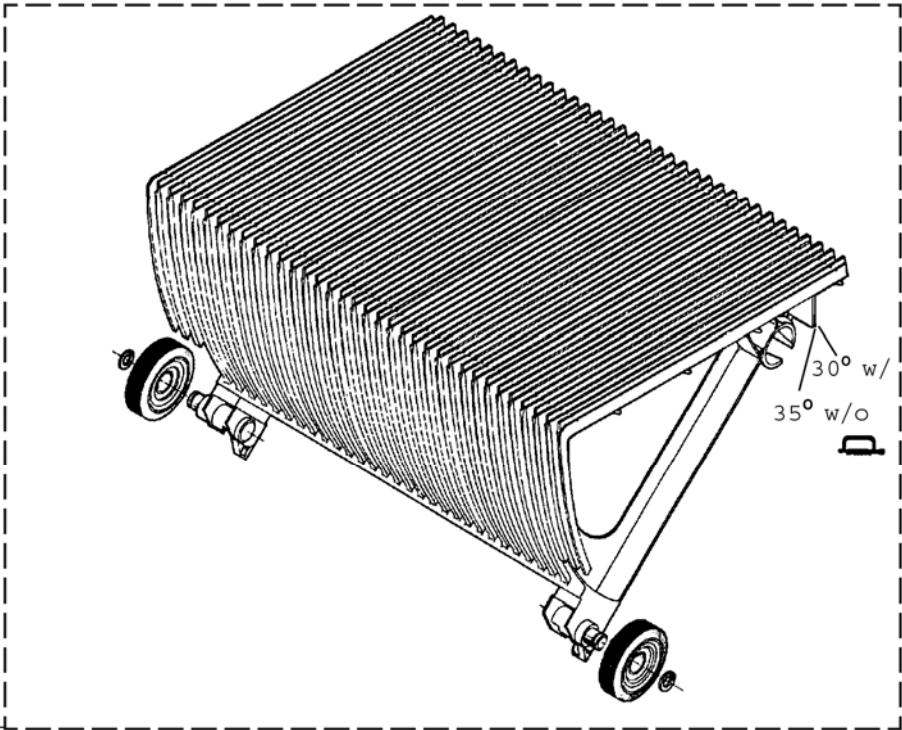
WITHOUT INDEX PIN



128- 131

GAA26140F					
REF. No.	PART No.	DESCRIPTION	COLOR	TREAD SURFACE	LOCATED
128	GAA26140F81	Step 600	Grey	w/o Tread Finish	Indoor
129	GAA26140F82	Step 800	Grey	w/o Tread Finish	Indoor
130	GAA26140F84	Step 600	Grey	w/Tread Finish	Indoor
131	GAA26140F85	Step 800	Grey	w/Tread Finish	Indoor

WITHOUT INDEX PIN



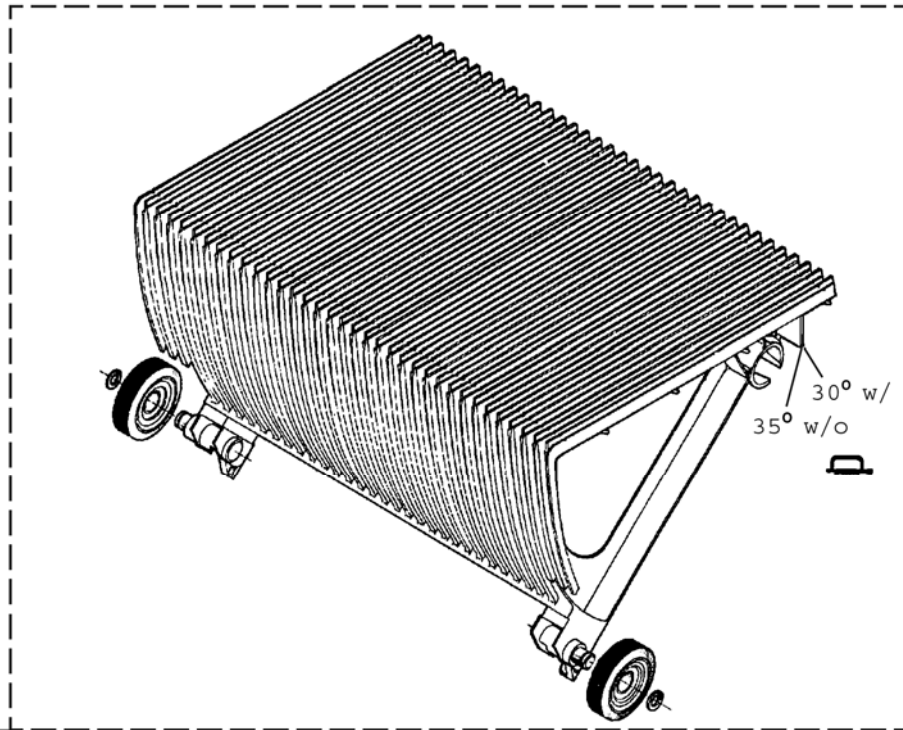
132- 135

REF. No.	PART No.	DESCRIPTION	COLOR	TREAD SURFACE	LOCATED
	GAA26140F				
132	GAA26140F87	Step 600	Black	w/Tread Finish	Indoor
133	GAA26140F88	Step 800	Black	w/Tread Finish	Indoor
134	GAA26140F90	Step 600	Grey	w/Tread Finish, 3 Sides Yellow Insert	Indoor
135	GAA26140F91	Step 800	Grey	w/Tread Finish, 3 Sides Yellow Insert	Indoor

Escalator Step

53-GAA26410F

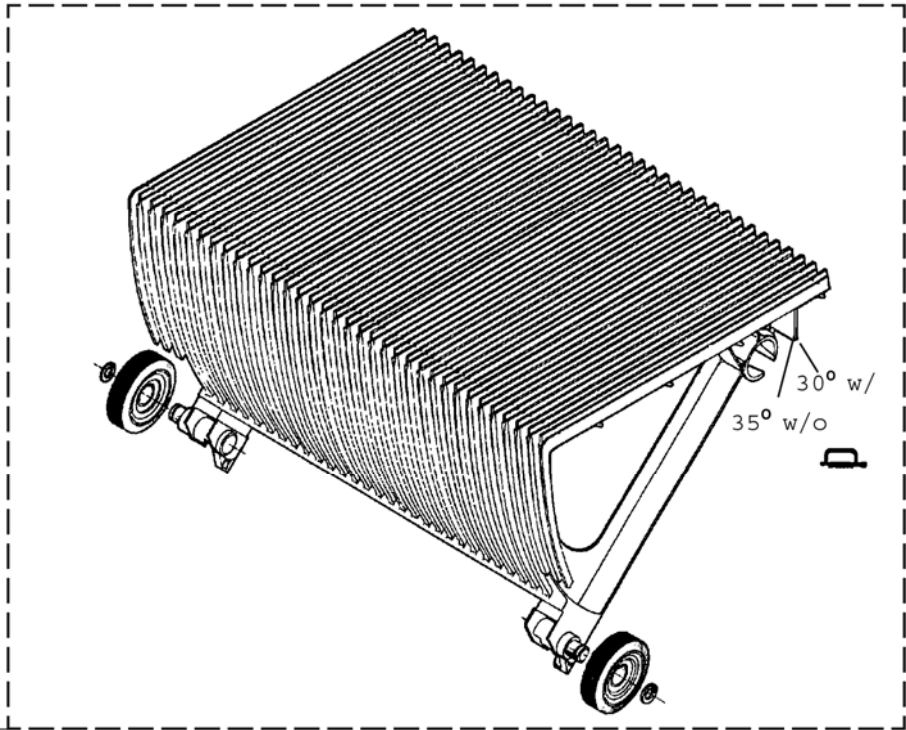
WITHOUT INDEX PIN



136- 139

REF. No.	PART No.	DESCRIPTION	COLOR	TREAD SURFACE	LOCATED
	GAA26140F				
136	GAA26140F92	Step 1000	Grey	w/Tread Finish, 3 Sides Yellow Insert	Indoor
137	GAA26140F93	Step 600	Black	w/Tread Finish, 3 Sides Yellow Insert	Indoor
138	GAA26140F94	Step 800	Black	w/Tread Finish, 3 Sides Yellow Insert	Indoor
139	GAA26140F95	Step 1000	Black	w/Tread Finish, 3 Sides Yellow Insert	Indoor

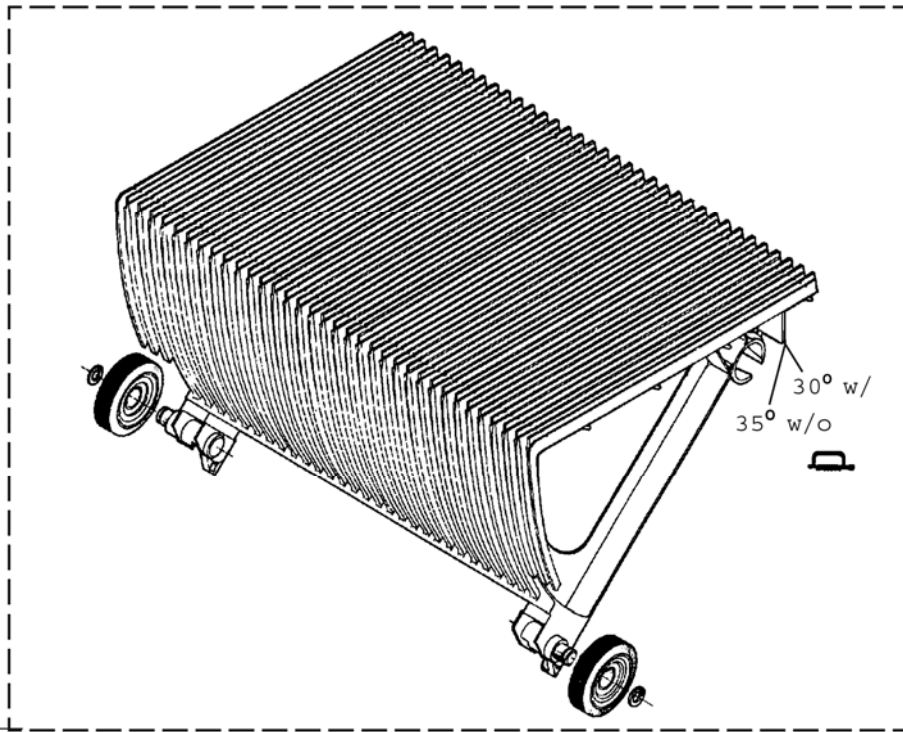
WITHOUT INDEX PIN



140- 142

REF. No.	PART No.	DESCRIPTION	COLOR	TREAD SURFACE	LOCATED
	GAA26140F				
140	GAA26140F96	Step 600	Black	w/Tread Finish, 2 Sides Yellow Insert	Indoor
141	GAA26140F97	Step 800	Black	w/Tread Finish, 2 Sides Yellow Insert	Indoor
142	GAA26140F98	Step 1000	Black	w/ Tread Finish, 2 Sides Yellow Insert	Indoor

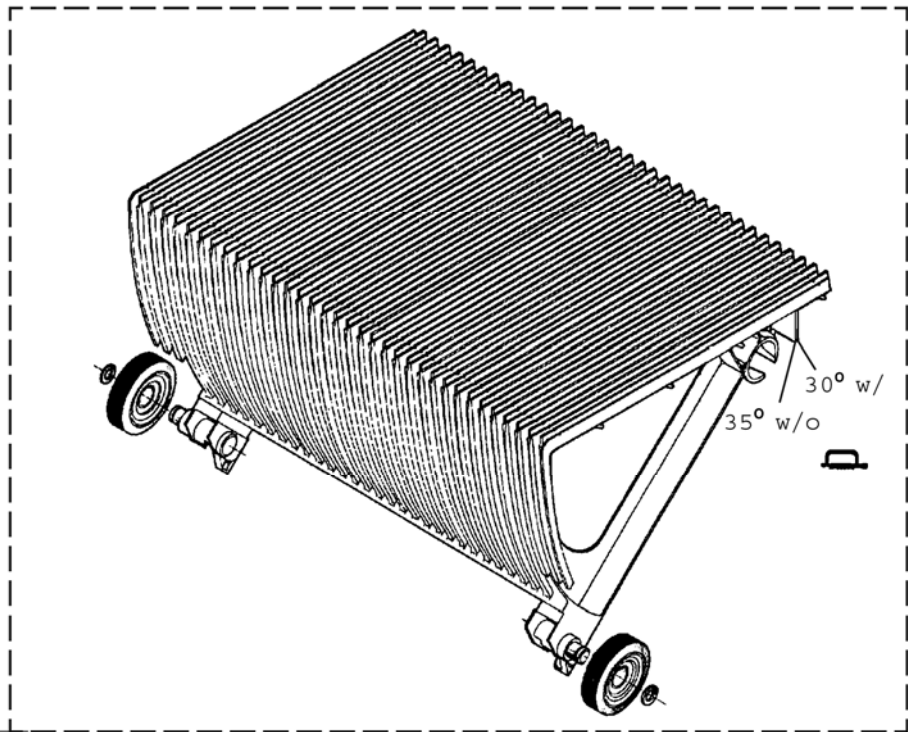
WITHOUT INDEX PIN



143- 145

REF. No.	PART No.	DESCRIPTION	COLOR	TREAD SURFACE	LOCATED
	GAA26140F				
143	GAA26140F99	Step 600	Black	w/Tread Finish, 3 Sides Yellow Insert Screwed	Indoor
144	GAA26140F100	Step 800	Black	w/Tread Finish, 3 Sides Yellow Insert Screwed	Indoor
145	GAA26140F101	Step 1000	Black	w/Tread Finish, 3 Sides Yellow Insert Screwed	Indoor

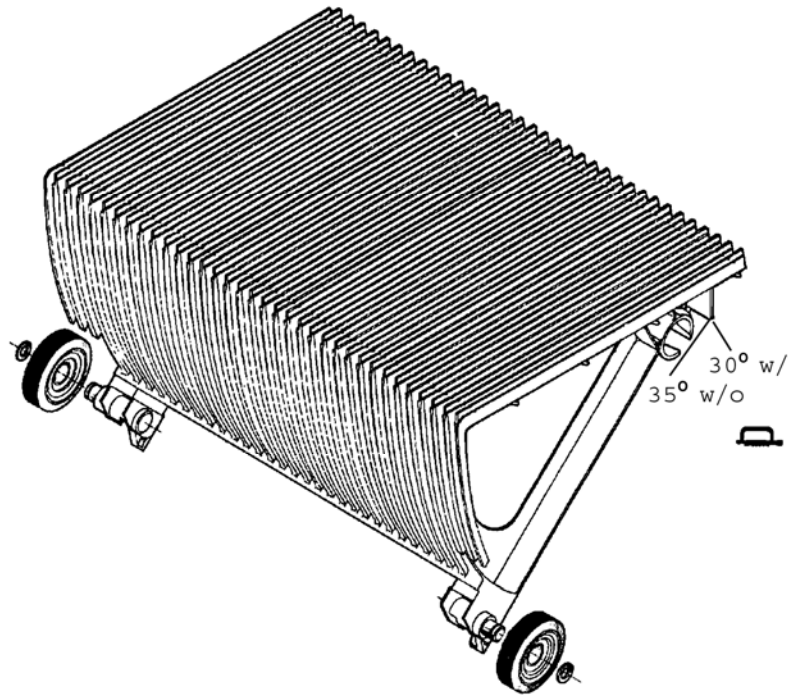
WITHOUT INDEX PIN



146- 148

GAA26140F					
REF. No.	PART No.	DESCRIPTION	COLOR	TREAD SURFACE	LOCATED
146	GAA26140F102	Step 600	Grey	w/Tread Finish, 3 Sides Yellow Insert Screwed	Indoor
147	GAA26140F103	Step 800	Grey	w/Tread Finish, 3 Sides Yellow Insert Screwed	Indoor
148	GAA26140F104	Step 1000	Grey	w/Tread Finish, 3 Sides Yellow Insert Screwed	Indoor

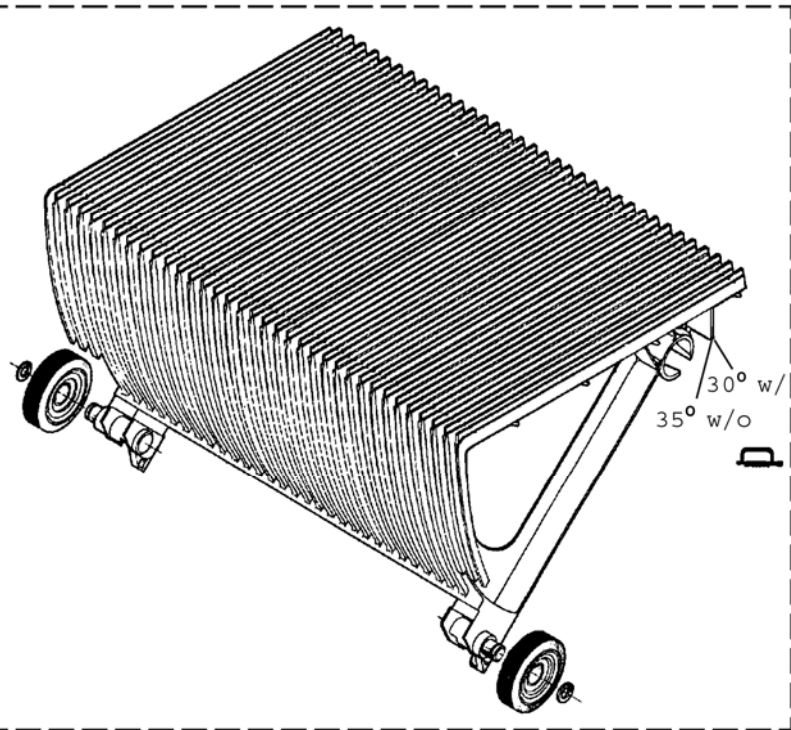
WITHOUT INDEX PIN



149-151

REF. No.	PART No.	DESCRIPTION	COLOR	TREAD SURFACE	LOCATED
	GAA26140F				
149	GAA26140F105	Step 600	Black	w/Tread Finish, 2 Sides Yellow Insert Screwed	Indoor
150	GAA26140F106	Step 800	Black	w/Tread Finish, 2 Sides Yellow Insert Screwed	Indoor
151	GAA26140F107	Step 1000	Black	w/Tread Finish, 2 Sides Yellow Insert Screwed	Indoor

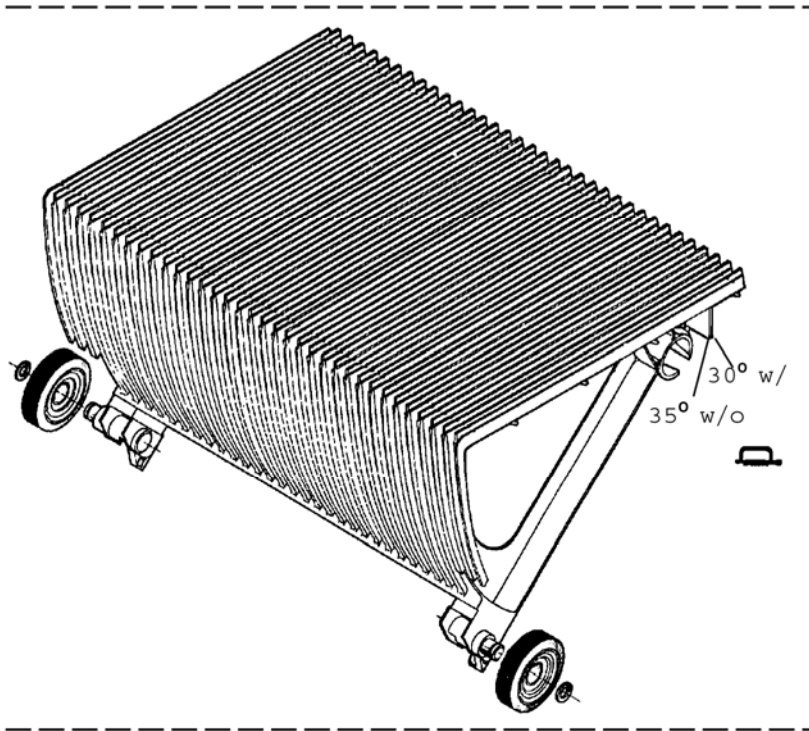
WITHOUT INDEX PIN



152- 155

REF. No.	PART No.	DESCRIPTION	COLOR	TREAD SURFACE	LOCATED
	GAA26140F				
152	GAA26140F108	Step 600	Grey	w/Tread Finish, 3 Sides Yellow Coated	Indoor
153	GAA26140F109	Step 800	Grey	w/Tread Finish, 3 Sides Yellow Coated	Indoor
154	GAA26140F111	Step 600	Black	w/Tread Finish, 3 Sides Yellow Coated	Indoor
155	GAA26140F112	Step 800	Black	w/Tread Finish, 3 Sides Yellow Coated	Indoor

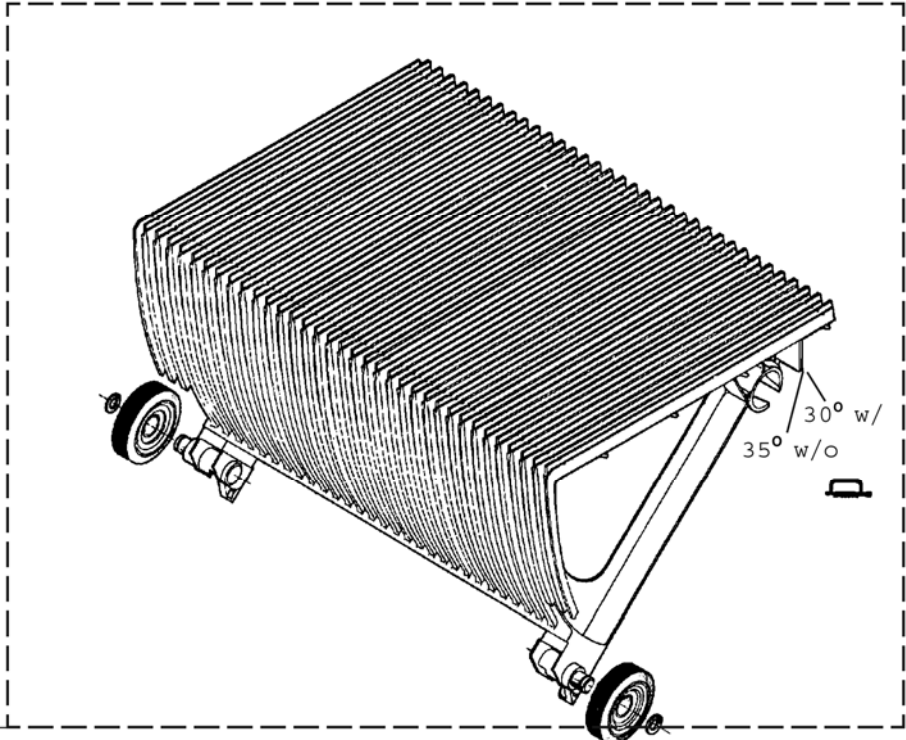
WITHOUT INDEX PIN



156-159

REF. No.	PART No.	DESCRIPTION	COLOR	TREAD SURFACE	LOCATED
	GAA26140F				
156	GAA26140F114	Step 600	Grey	w/Tread Finish, 2 Sides Yellow Coated	Indoor
157	GAA26140F115	Step 800	Grey	w/Tread Finish, 2 Sides Yellow Coated	Indoor
158	GAA26140F117	Step 600	Black	w/Tread Finish, 2 Sides Yellow Coated	Indoor
159	GAA26140F118	Step 800	Black	w/Tread Finish, 2 Sides Yellow Coated	Indoor

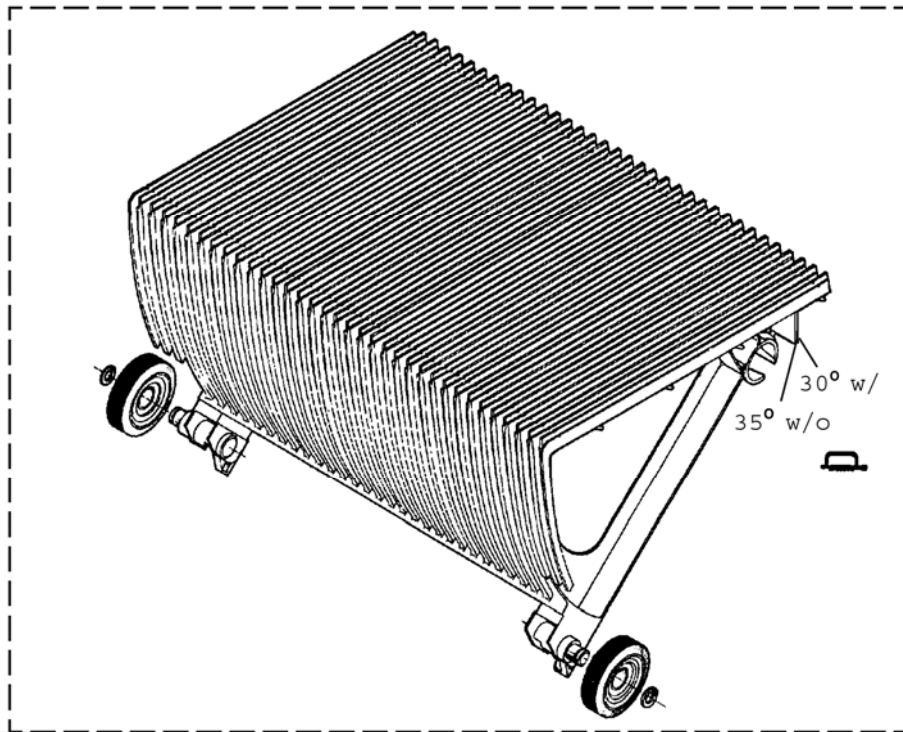
WITHOUT INDEX PIN



160-163

GAA26140F					
REF. No.	PART No.	DESCRIPTION	COLOR	TREAD SURFACE	LOCATED
160	GAA26140F121	Step 600	Grey	w/o Tread Finish	Outdoor
161	GAA26140F122	Step 800	Grey	w/o Tread Finish	Outdoor
162	GAA26140F124	Step 600	Grey	w/Tread Finish	Outdoor
163	GAA26140F125	Step 800	Grey	w/Tread Finish	Outdoor

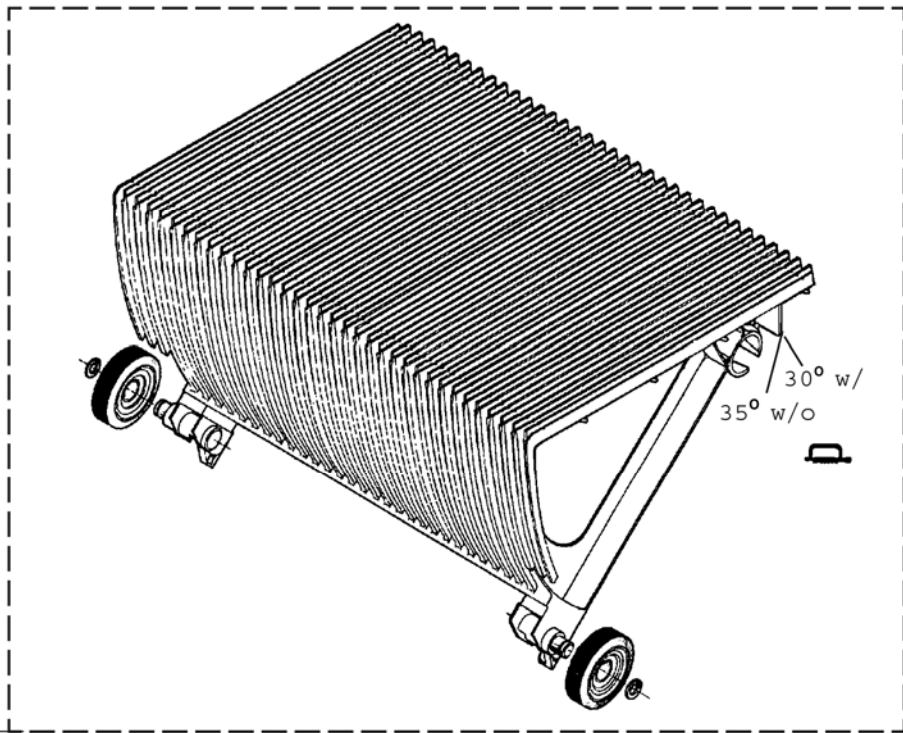
WITHOUT INDEX PIN



164- 167

GAA26140F					
REF. No.	PART No.	DESCRIPTION	COLOR	TREAD SURFACE	LOCATED
164	GAA26140F127	Step 600	Black	w/Tread Finish	Outdoor
165	GAA26140F128	Step 800	Black	w/Tread Finish	Outdoor
166	GAA26140F130	Step 600	Grey	w/Tread Finish, 3 Sides Yellow Insert	Outdoor
167	GAA26140F131	Step 800	Grey	w/Tread Finish, 3 Sides Yellow Insert	Outdoor

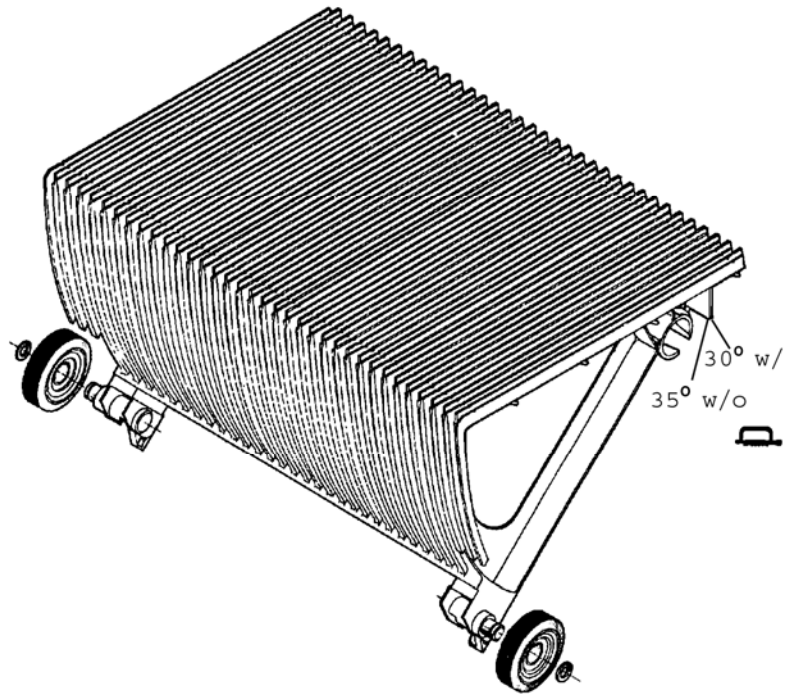
WITHOUT INDEX PIN



168- 171

GAA26140F					
REF. No.	PART No.	DESCRIPTION	COLOR	TREAD SURFACE	LOCATED
168	GAA26140F132	Step 1000	Grey	w/Tread Finish, 3 Sides Yellow Insert	Outdoor
169	GAA26140F133	Step 600	Black	w/Tread Finish, 3 Sides Yellow Insert	Outdoor
170	GAA26140F134	Step 800	Black	w/Tread Finish, 3 Sides Yellow Insert	Outdoor
171	GAA26140F135	Step 1000	Black	w/Tread Finish, 3 Sides Yellow Insert	Outdoor

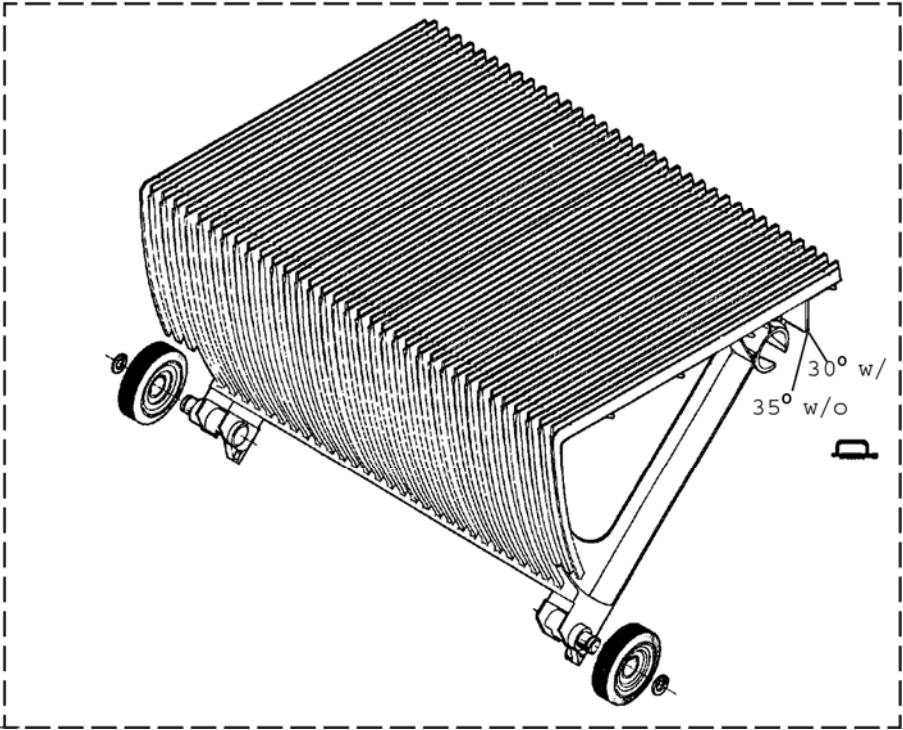
WITHOUT INDEX PIN



172- 174

REF. No.	PART No.	DESCRIPTION	COLOR	TREAD SURFACE	LOCATED
	GAA26140F				
172	GAA26140F136	Step 600	Black	w/Tread Finish, 2 Sides Yellow Insert	Outdoor
173	GAA26140F137	Step 800	Black	w/Tread Finish, 2 Sides Yellow Insert	Outdoor
174	GAA26140F138	Step 1000	Black	w/Tread Finish, 2 Sides Yellow Insert	Outdoor

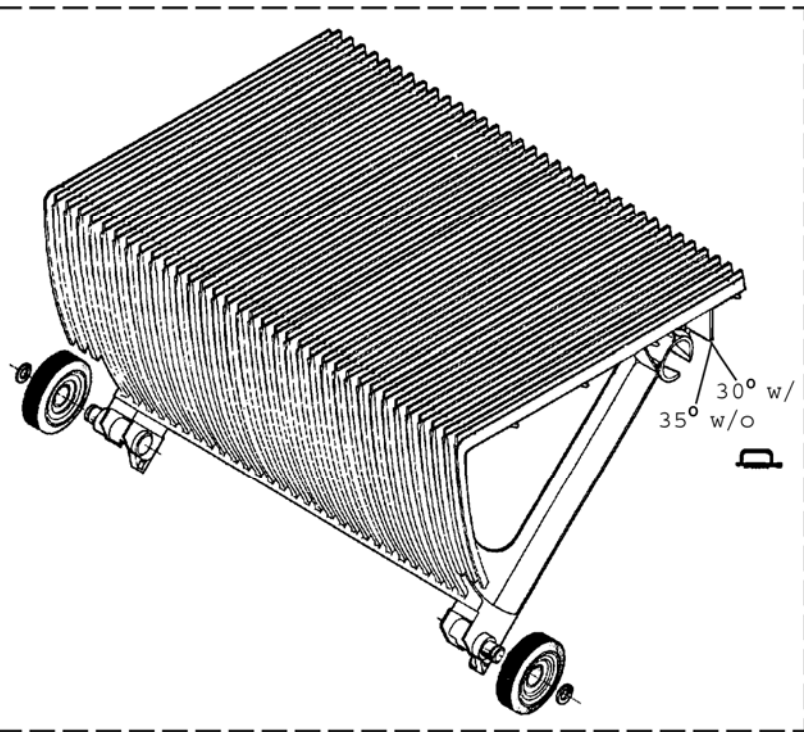
WITHOUT INDEX PIN



175- 177

GAA26140F					
REF. No.	PART No.	DESCRIPTION	COLOR	TREAD SURFACE	LOCATED
175	GAA26140F139	Step 600	Black	w/Tread Finish, 3 Sides Yellow Insert Screwed	Outdoor
176	GAA26140F140	Step 800	Black	w/Tread Finish, 3 Sides Yellow Insert Screwed	Outdoor
177	GAA26140F141	Step 1000	Black	w/Tread Finish, 3 Sides Yellow Insert Screwed	Outdoor

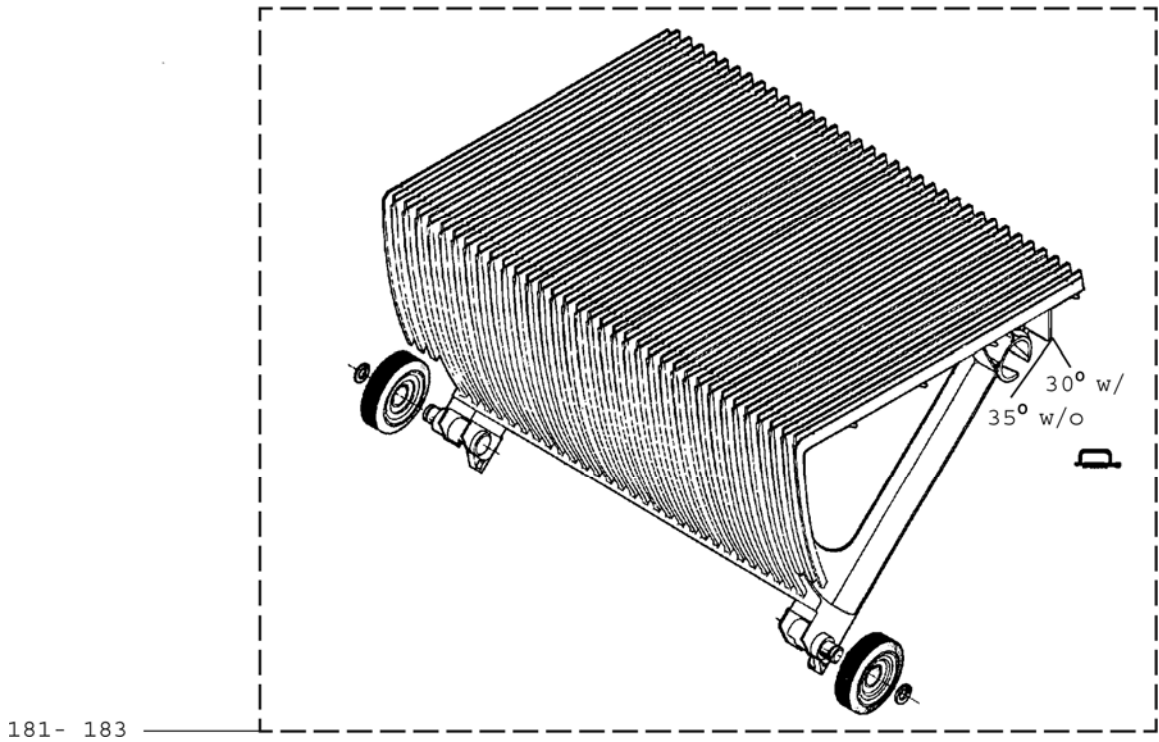
WITHOUT INDEX PIN



178- 180

GAA26140F					
REF. No.	PART No.	DESCRIPTION	COLOR	TREAD SURFACE	LOCATED
178	GAA26140F142	Step 600	Grey	w/Tread Finish, 3 Sides Yellow Insert Screwed	Outdoor
179	GAA26140F143	Step 800	Grey	w/Tread Finish, 3 Sides Yellow Insert Screwed	Outdoor
180	GAA26140F144	Step 1000	Grey	w/Tread Finish, 3 Sides Yellow Insert Screwed	Outdoor

WITHOUT INDEX PIN

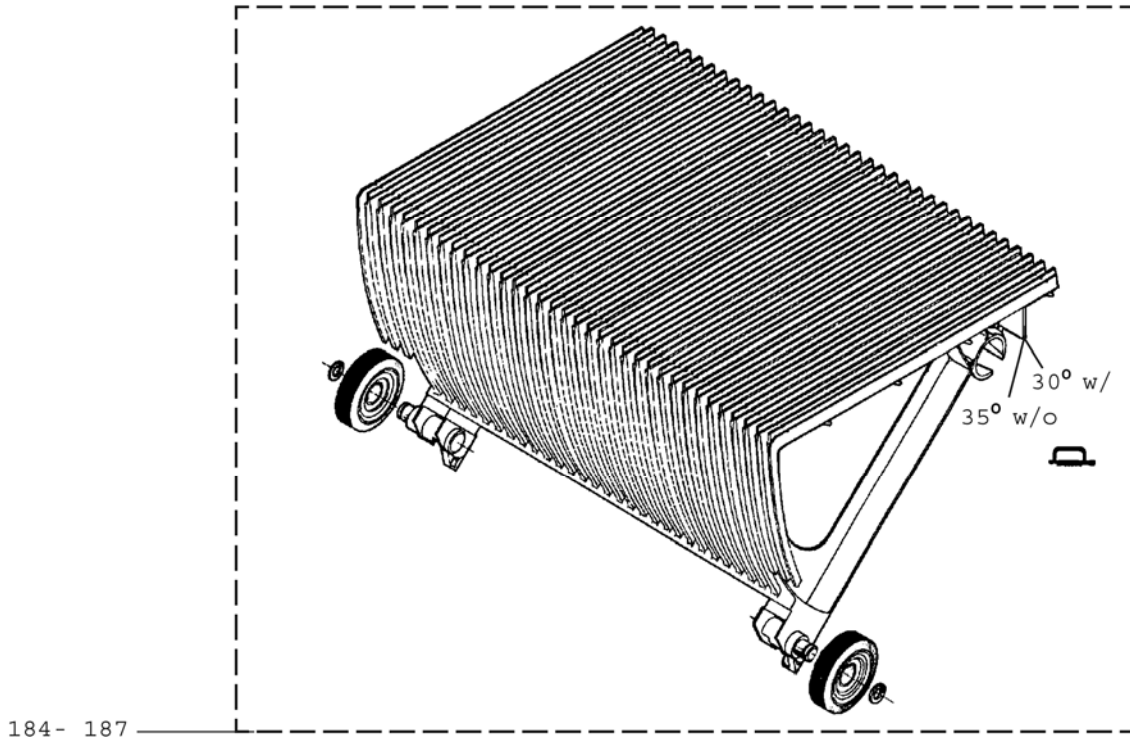


REF. No.	PART No.	DESCRIPTION	COLOR	TREAD SURFACE	LOCATED
	GAA26140F				
181	GAA26140F145	Step 600	Black	w/Tread Finish, 2 Sides Yellow Insert Screwed	Outdoor
182	GAA26140F146	Step 800	Black	w/Tread Finish, 2 Sides Yellow Insert Screwed	Outdoor
183	GAA26140F147	Step 1000	Black	w/Tread Finish, 2 Sides Yellow Insert Screwed	Outdoor

Escalator Step

53-GAA26410F

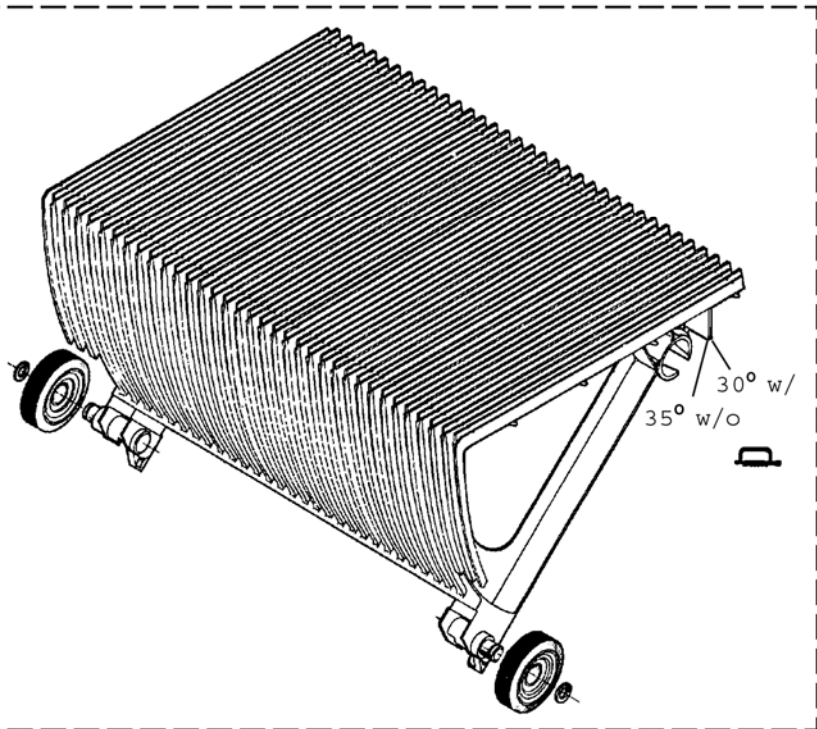
WITHOUT INDEX PIN



184- 187

REF. No.	PART No.	DESCRIPTION	COLOR	TREAD SURFACE	LOCATED
	GAA26140F				
184	GAA26140F148	Step 600	Grey	w/Tread Finish, 3 Sides Yellow Coated	Outdoor
185	GAA26140F149	Step 800	Grey	w/Tread Finish, 3 Sides Yellow Coated	Outdoor
186	GAA26140F151	Step 600	Black	w/Tread Finish, 3 Sides Yellow Coated	Outdoor
187	GAA26140F152	Step 800	Black	w/Tread Finish, 3 Sides Yellow Coated	Outdoor

WITHOUT INDEX PIN



188- 191

REF. No.	PART No.	DESCRIPTION	COLOR	TREAD SURFACE	LOCATED
	GAA26140F				
188	GAA26140F154	Step 600	Grey	w/Tread Finish, 2 Sides Yellow Coated	Outdoor
189	GAA26140F155	Step 800	Grey	w/Tread Finish, 2 Sides Yellow Coated	Outdoor
190	GAA26140F157	Step 600	Black	w/Tread Finish, 2 Sides Yellow Coated	Outdoor
191	GAA26140F158	Step 800	Black	w/Tread Finish, 2 Sides Yellow Coated	Outdoor