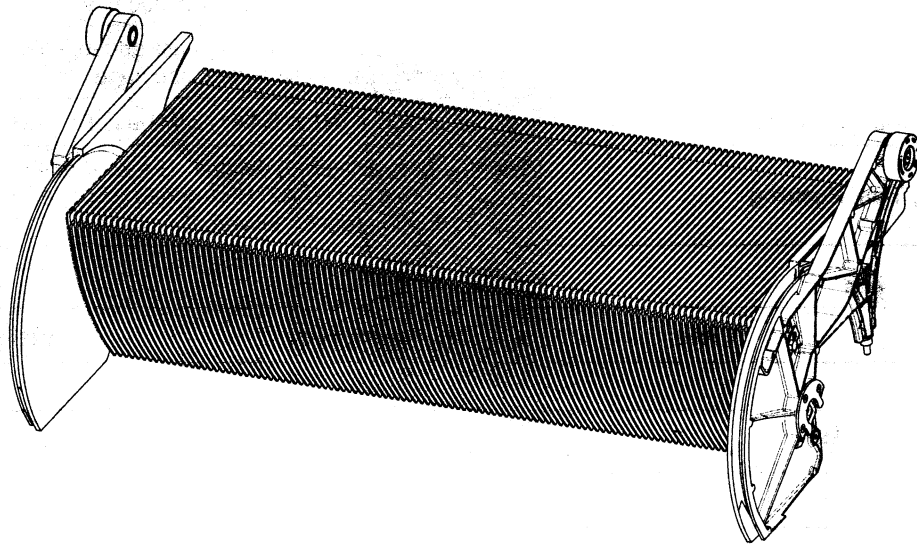
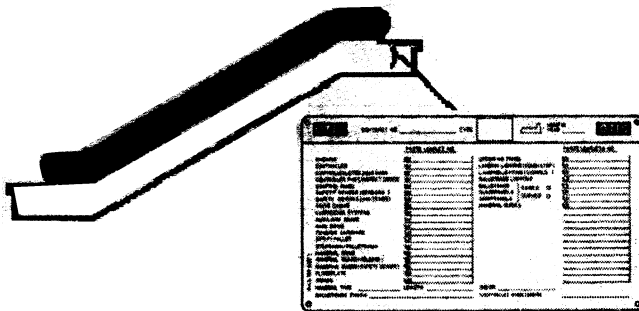


NEXTSTEP Escalator Step

Spare Parts Leaflet

53-GAA26140K

December 12, 2007 / Page 1 of 9



Unpublished Work—© Otis Elevator Co.; 2007

OTIS

Safety First!

ESCALATOR ENGINEERING
Otis Elevator Company
SIT GUANGZHOU

53-GAA26140K

History

Leaflet Description

NEXTSTEP™ Escalator Step

Leaflet Revisions

Date Revised	Subject Matter Expert	Reason for Revision
April 07, 2004	Tian, Ruoming	Release
June 30, 2004	Tian, Ruoming	Revised
August 30, 2004	Tian, Ruoming	Bridge piece updated
Dec. 31, 2004	Tian, Ruoming	Added LRUs on page 12
July 31, 2005	Tian, Ruoming	Delete GCA26140G; Delete GAA26140K with 3-side yellow inserts and w/o insert; Replace pin GBA81GL1 with GAA81JP1; Add grey insert & black insert, and black bridge piece.
March 10, 2006	Tian, Ruoming	Steps with 3-side yellow inserts are added, see page 9 & 10; Right & left yellow inserts are added, see page 11
April 3, 2007	Tian, Ruoming	Added GAA321HN1 & GAA172JM1 as LRU, see page 13
December 12, 2007	Tian, Ruoming	Steps (never delivered) deleted; The washer and tapping screw added on page 9; GAA27HH1 added on page 11; Steps with 3-side inserts deleted (never delivered)

Related Drawings

Drawing No.	Title	Drawing No.	Title
GAA26140K	Step		

Related Documents

Document ID	Title
BOM GAA26140K	Step

Subject Matter Expert

Name	Department
Tian, Ruoming	SIT-GUANGZHOU

About Spare Parts Leaflets...

This document lists the lowest replaceable units (LRUs) for the standard version of the product. The LRUs are chosen by a team of Otis associates representing engineering and manufacturing.

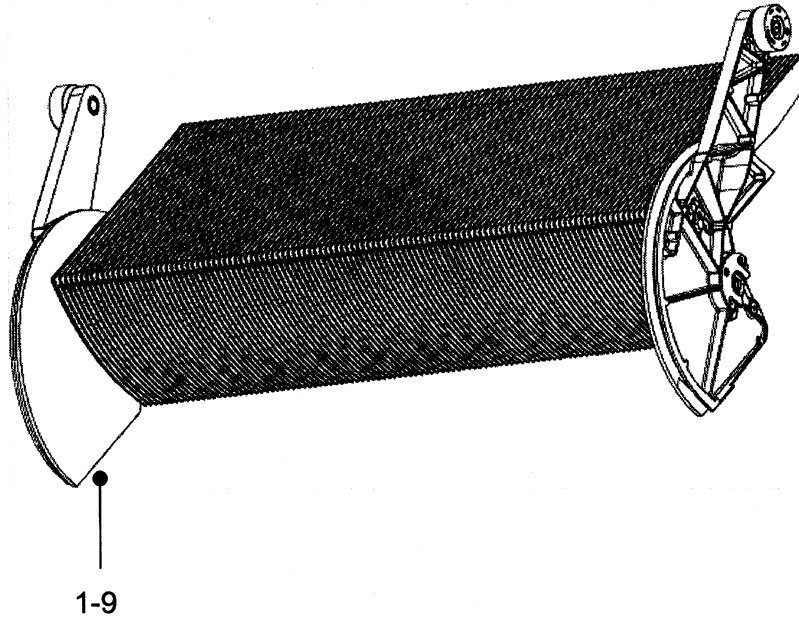
While goal of this document is to make parts identification as easy as possible, the document cannot be all-inclusive. Elevator and escalator contracts classified as "special" or "custom" are not addressed here. For such contracts, please refer to specified information, the contract folder, TIPs, Field Education Articles, Construction Letters, etc. for further information.

If you have any suggestions about this document, please contact the subject matter expert listed on this page.

NEXTSTEP™ Escalator Step

53-GAA26140K

Escalator Step

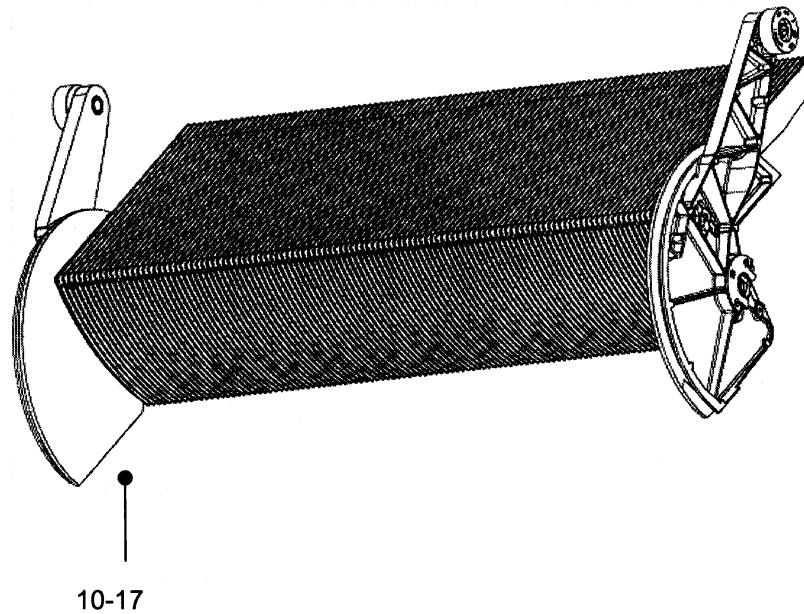


GAA26140K				
REF. No.	PART No. OR M.L.	DESCRIPTION	Type	Code
1	GAA26140K38	Step, grey with tread finish & visible area coated, Rear-side Yellow Insert	800	EN115
2	GAA26140K39		600	
3	GAA26140K42	Step, black with tread finish & visible area coated Rear-side Yellow Insert	600	
4	GAA26140K49	Step, grey w/o tread finish & visible area coated Rear-side Yellow Insert	1000	
5	GAA26140K50		800	
6	GAA26140K51		600	
7	GAA26140K109	Step, grey with tread finish & visible area coated, Rear-side Grey Insert	1000	
8	GAA26140K110		800	
9	GAA26140K111		600	

NEXTSTEP™ Escalator Step

53-GAA26140K

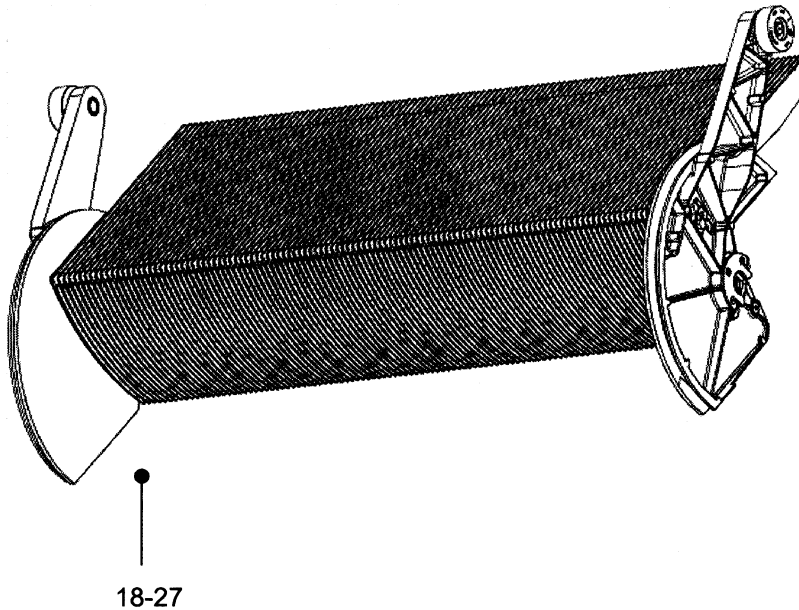
Escalator Step



GAA26140K				
REF. No.	PART No. OR M.L.	DESCRIPTION	Type	Code
10	GAA26140K115	Step, grey w/o tread finish & visible area coated, Rear-side Grey Insert	1000	EN115
11	GAA26140K116		800	
12	GAA26140K117		600	
13	GAA26140K121	Step, black with tread finish & visible area coated, Rear-side Black Insert	1000	
14	GAA26140K123		600	
15	GAA26140K183	Step, grey w/o tread finish & visible area coated; Rear-side yellow insert and both-edge yellow demarcation lines	600	
16	GAA26140K186	Step, black with tread finish & visible area coated; Rear-side yellow insert and both-edge yellow demarcation lines	600	
17	GAA26140K189	Step, grey with tread finish & visible area coated; Rear-side yellow insert and both-edge yellow demarcation lines	600	

NEXTSTEP™ Escalator Step

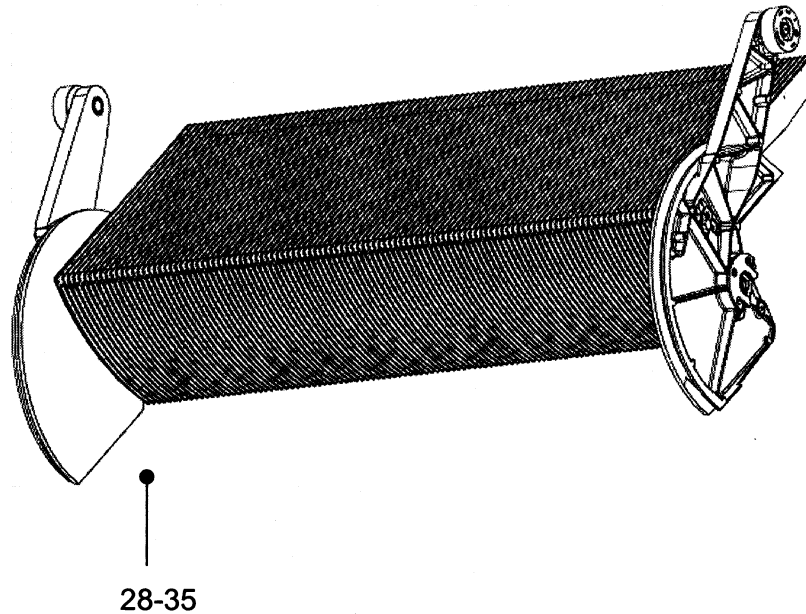
53-GAA26140K



GAA26140K				
REF. No.	PART No. OR M.L.	DESCRIPTION	Type	Code
18	GAA26140K68	Step, grey with tread finish & visible area coated, Rear-side Yellow Insert	800	ASME A17.1
19	GAA26140K69		600	
20	GAA26140K70	Step, black with tread finish & visible area coated Rear-side Yellow Insert	1000	
21	GAA26140K71		800	
22	GAA26140K72		600	
23	GAA26140K79	Step, grey w/o tread finish & visible area coated Rear-side Yellow Insert	1000	
24	GAA26140K80		800	
25	GAA26140K81		600	
26	GAA26140K145	Step, grey with tread finish & visible area coated, Rear-side Grey Insert	1000	
27	GAA26140K147		600	

NEXTSTEP™ Escalator Step

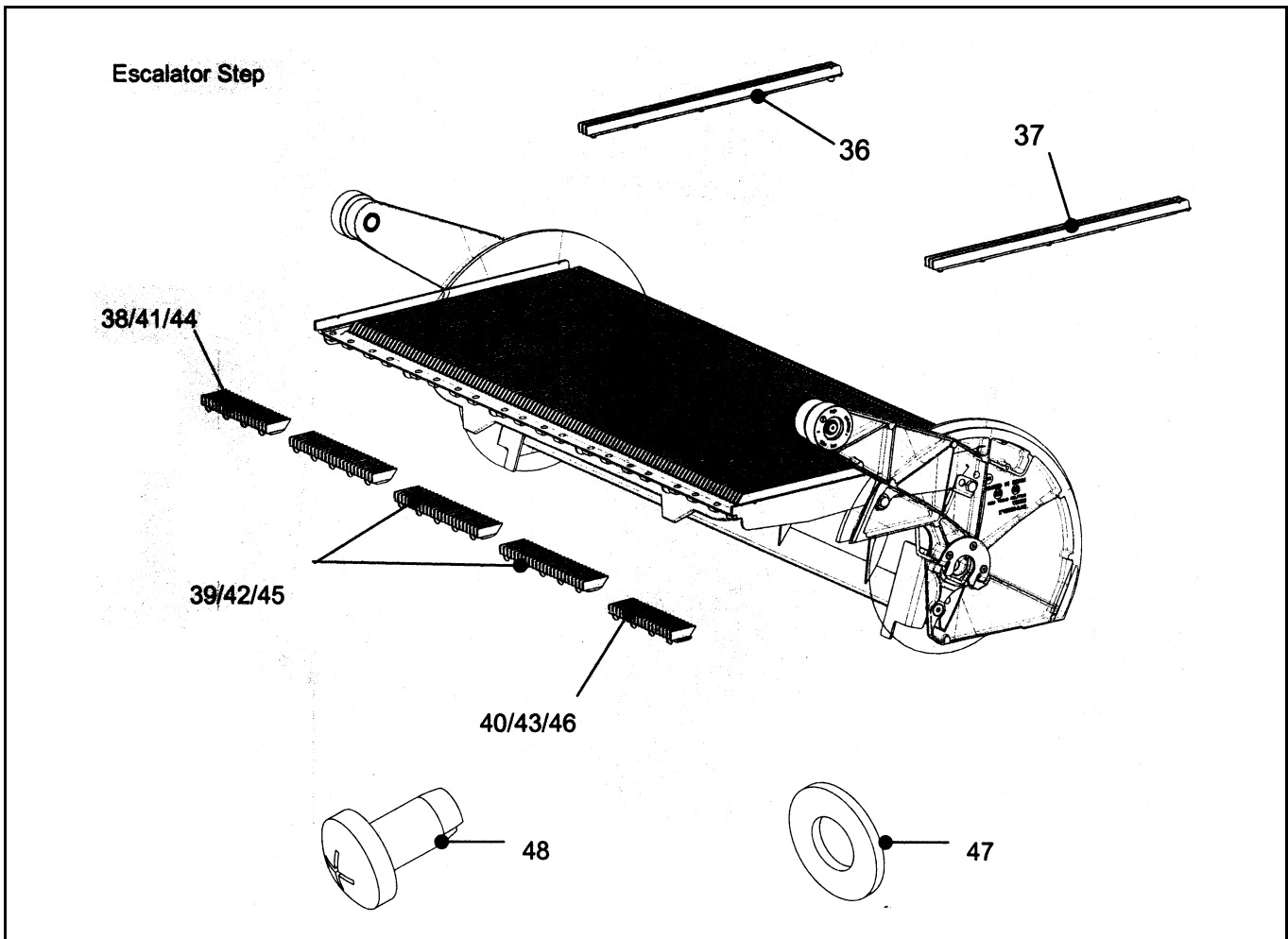
53-GAA26140K



GAA26140K				
REF. No.	PART No. OR M.L.	DESCRIPTION	Type	Code
28	GAA26140K151	Step, grey w/o tread finish & visible area coated; Rear-side Grey Insert	1000	ASME A17.1
29	GAA26140K153		600	
30	GAA26140K159	Step, black with tread finish & visible area coated; Rear-side Black Insert	600	
31	GAA26140K199	Step, grey w/o tread finish & visible area coated; Rear-side yellow insert and both-edge yellow demarcation lines	1000	
31a	GAA26140K200		800	
32	GAA26140K201		600	
32a	GAA26140K202	Step, black with tread finish & visible area coated; Rear-side yellow insert and both-edge yellow demarcation lines	1000	
33	GAA26140K203	800		
34	GAA26140K205	Step, grey with tread finish & visible area coated; Rear-side yellow insert and both-edge yellow demarcation lines	1000	
35	GAA26140K206		800	

NEXTSTEP™ Escalator Step

53-GAA26140K

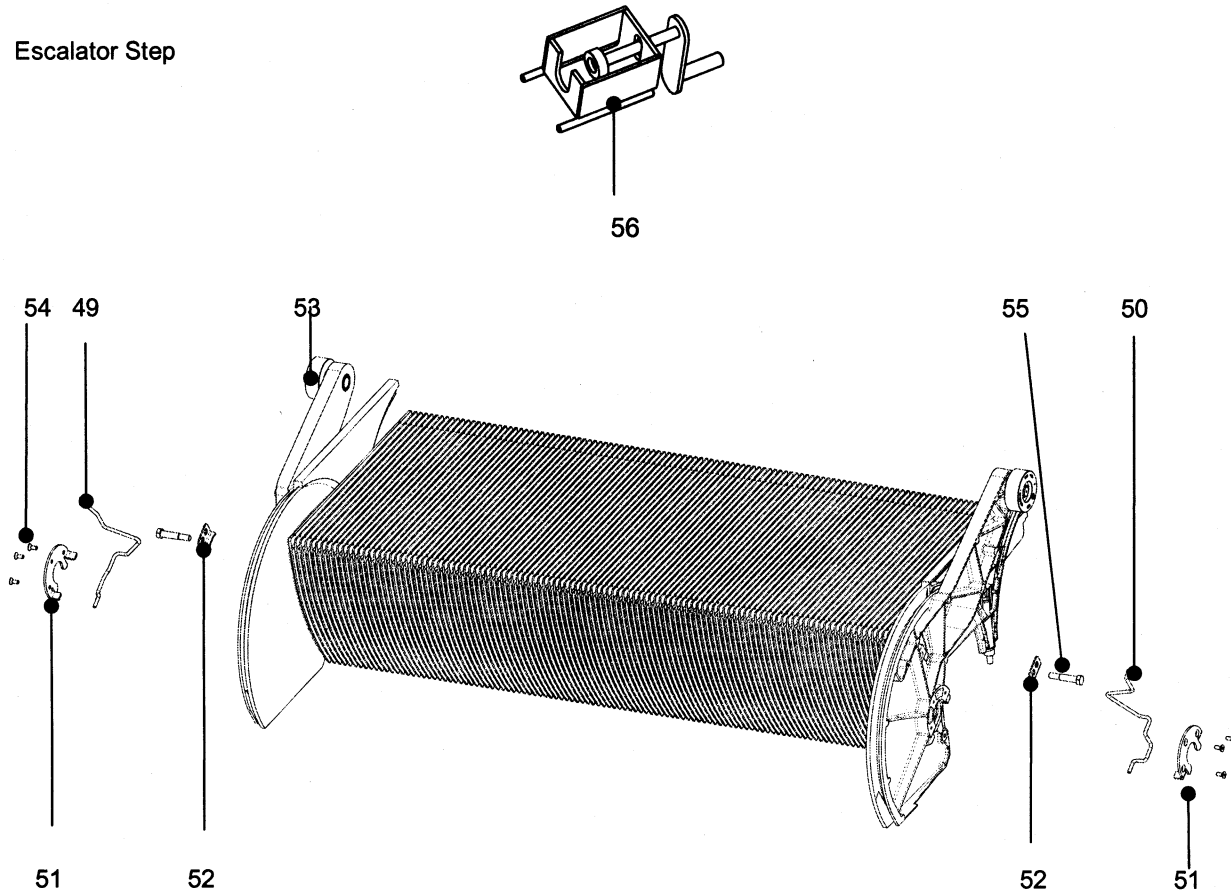


GAA26140K		
REF. No.	PART No. OR M.L.	DESCRIPTION
36	GAA455BR3	Yellow Insert, right
37	GAA455BR2	Yellow Insert, left
38	GAA455BP2	Yellow Insert, rear right
39	GAA455BP1	Yellow Insert, rear center
40	GAA455BP3	Yellow Insert, rear left
41	GAA455BP8	Grey Insert, rear right
42	GAA455BP6	Grey Insert, rear center
43	GAA455BP9	Grey Insert, rear left
44	GAA455BP10	Black Insert, rear right
45	GAA455BP7	Black Insert, rear center
46	GAA455BP11	Black Insert, rear left
47	ISO7089_M4_140HV_Z	Washer
48	GB/T13806.2_ST4.2x9	Taping screw with groove

NEXTSTEP™ Escalator Step

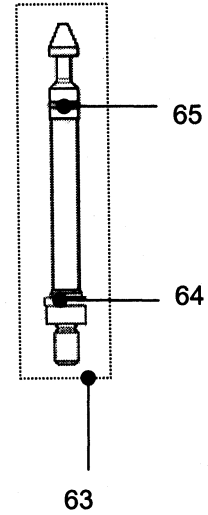
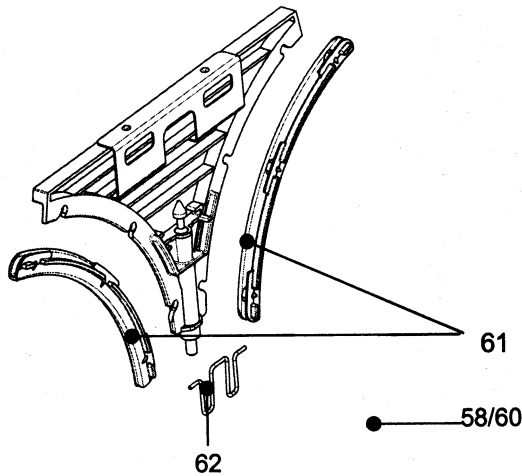
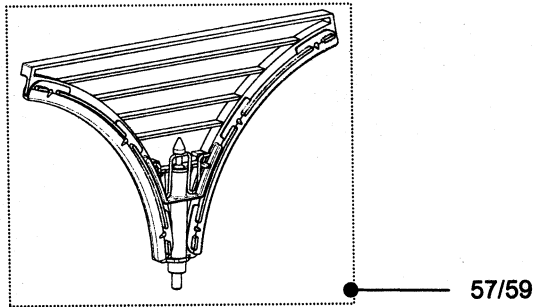
53-GAA26140K

Escalator Step



GAA26140K		
REF. No.	PART No. OR M.L.	DESCRIPTION
49	GAA94CE1	Spring, Left Side
50	GAA94CE2	Spring, Right Side
51	GAA133BM1	Washer Spring Seat
52	GAA331AT1	Catch
53	GAA290DN1	Soft Roller, Light Blue
54	ISO10642M5 x 12	Countersunk head screw
55	DIN609M8 x 45	Hexagon bolts
56	GAA27HH1	Step Roller Replacement Tool

Bridge Piece



GAA26140K		
REF. No.	PART No. OR M.L.	DESCRIPTION
57	GAA346RV1	Grey Bridge Piece, EN115
58	GAA346RV2	Grey Bridge Piece with bracket for installing missing bridge device, ASME A17.1
59	GAA346RV3	Black Bridge Piece, EN115
60	GAA346RV4	Black Bridge Piece with bracket for installing missing bridge device, ASME A17.1
61	GAA327EA1	Cam
62	GAA94BX1	Spring
63	GAA81JP1	Pin
64	GAA321HN1	Bushing
65	GAA172JM1	Ring