

Escalator Step

Spare Parts Leaflet

53-GAA26140L

October 24, 2012 / Page 1 of 21



Unpublished Work—© Otis Elevator Co.

OTIS

Safety First!

ESCALATOR ENGINEERING
Otis Elevator Company
SIT GUANGZHOU

Leaflet Description

Escalator Step GAA 26140 L

Leaflet Revisions

Date Revised	Subject Matter Expert	Reason for Revision
August 1, 2007	Tian, Ruoming	Release
March 5, 2010	Tian, Ruoming	Parts for type 1000 added on pages 13–20.
October 24, 2012	Liu, Zhimin	Add p/n DAA455A1/2/3 and illustration for 1000 mm step

Related Drawings

Drawing No.	Title	Drawing No.	Title
GAA26140L	Step		

Related Documents

Document ID	Title
BOM GAA26140L	Step

Subject Matter Expert

Name	Department
Tian, Ruoming	SIT-GUANGZHOU

About Spare Parts Leaflets...

This document lists the lowest replaceable units (LRUs) for the standard version of the product. The LRUs are chosen by a team of Otis associates representing engineering and manufacturing.

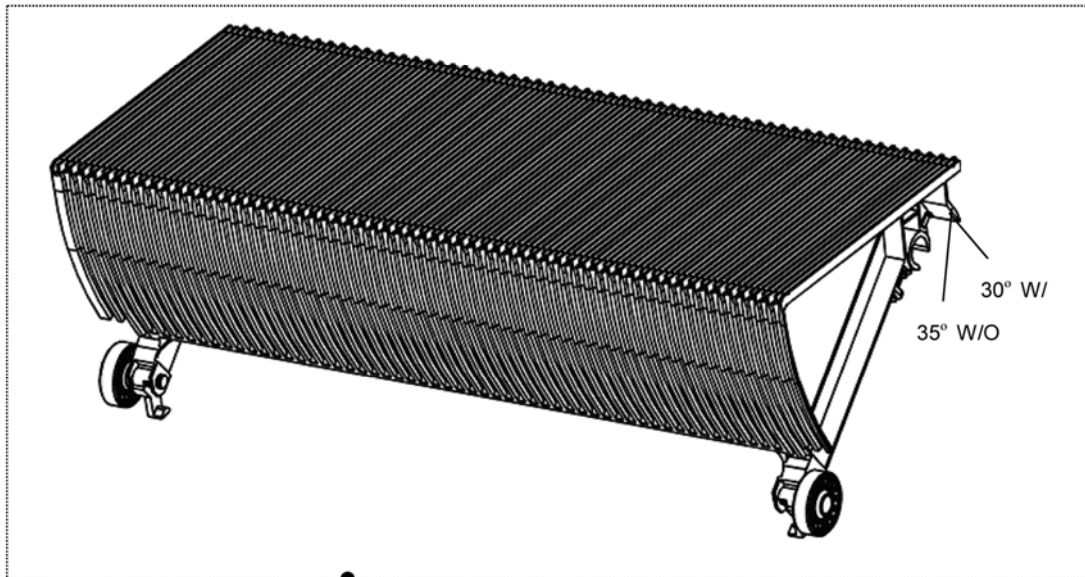
While goal of this document is to make parts identification as easy as possible, the document cannot be all-inclusive. Elevator and escalator contracts classified as “special” or “custom” are not addressed here. For such contracts, please refer to specified information, the contract folder, TIPs, Field Education Articles, Construction Letters, etc. for further information.

If you have any suggestions about this document, please contact the subject matter expert listed on this page.

Escalator Step

53-GAA26140L

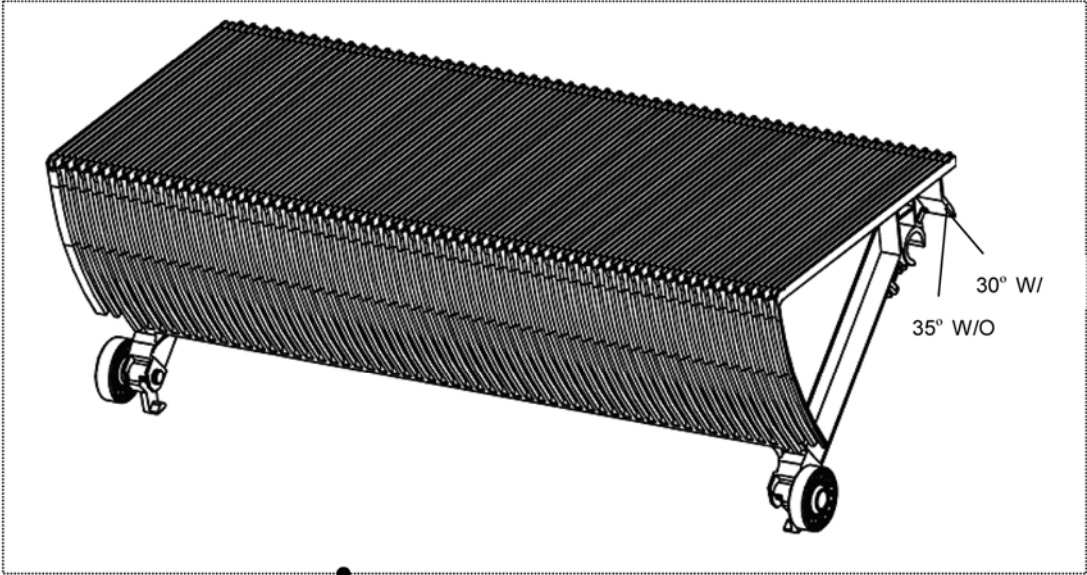
WITH INDEX PIN



1-7

GAA26140L				
REF. No.	PART No. OR M.L.	DESCRIPTION	TYPE	LOCATED
1	GAA26140L2	Grey, w/o Tread Finish	800	Indoor
2	GAA26140L5	Grey, w/ Tread Finish	800	
3	GAA26140L8	Black, w/ Tread Finish	800	
4	GAA26140L29	Grey, w/ Tread Finish, 3 Sides Yellow Coated	800	
5	GAA26140L32	Black, w/ Tread Finish, 3 Sides Yellow Coated	800	
6	GAA26140L35	Grey, w/ Tread Finish, 2 Sides Yellow Coated	800	
7	GAA26140L38	Black, w/ Tread Finish, 2 Sides Yellow Coated	800	

WITH INDEX PIN

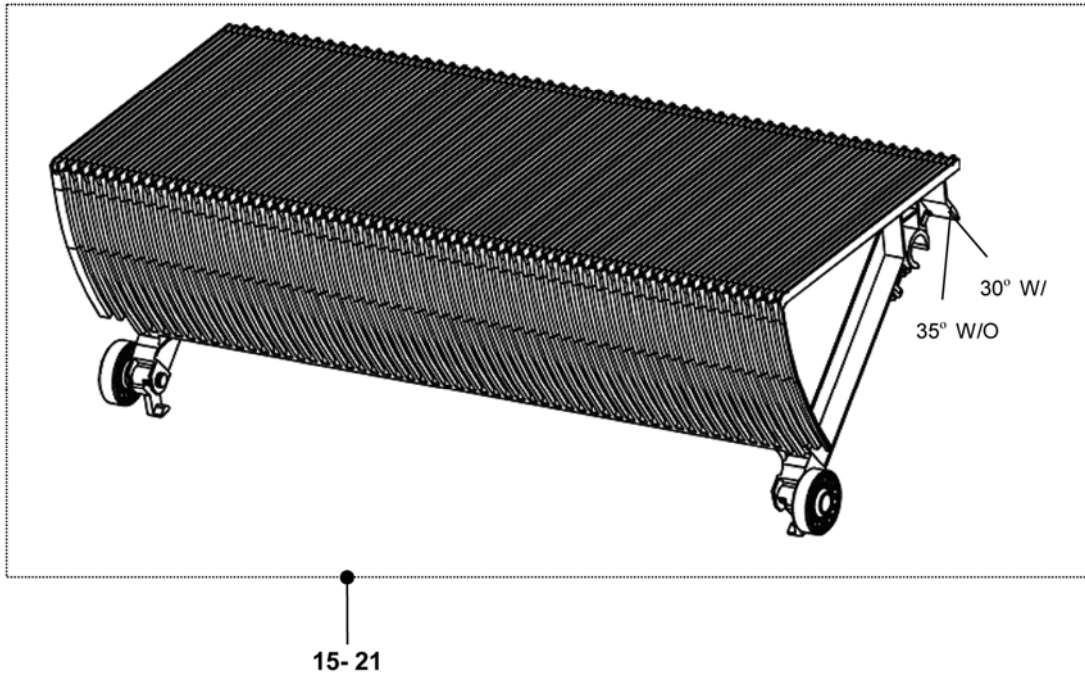


REF. No.	PART No. OR M.L.	DESCRIPTION	TYPE	LOCATED
	GAA26140L			
8	GAA26140L42	Grey, w/o Tread Finish	800	Outdoor
9	GAA26140L45	Grey, w/ Tread Finish	800	
10	GAA26140L48	Black, w/ Tread Finish	800	
11	GAA26140L69	Grey, w/ Tread Finish, 3 Sides, Yellow Coated	800	
12	GAA26140L72	Black, w/ Tread Finish, 3 Sides Yellow Coated	800	
13	GAA26140L75	Grey, w/ Tread Finish, 2 Sides Yellow Coated	800	
14	GAA26140L78	Black, w/ Tread Finish, 2 Sides Yellow Coated	800	

Escalator Step

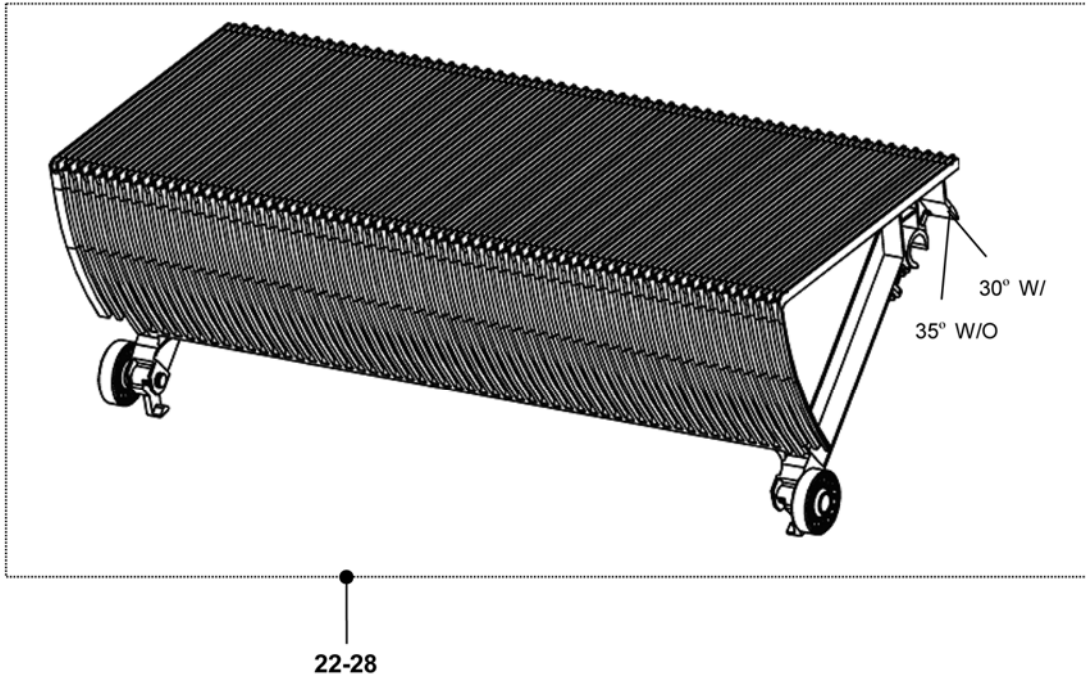
53-GAA26140L

WITHOUT INDEX PIN



GAA26140L				
REF. No.	PART No. OR M.L.	DESCRIPTION	TYPE	LOCATED
15	GAA26140L82	Grey, w/o Tread Finish	800	Indoor
16	GAA26140L85	Grey, w/ Tread Finish	800	
17	GAA26140L88	Black, w/ Tread Finish	800	
18	GAA26140L109	Grey, w/ Tread Finish, 3 Sides Yellow Coated	800	
19	GAA26140L112	Black, w/ Tread Finish, 3 Sides Yellow Coated	800	
20	GAA26140L115	Grey, w/ Tread Finish, 2 Sides Yellow Coated	800	
21	GAA26140L118	Black, w/ Tread Finish, 2 Sides Yellow Coated	800	

WITHOUT INDEX PIN

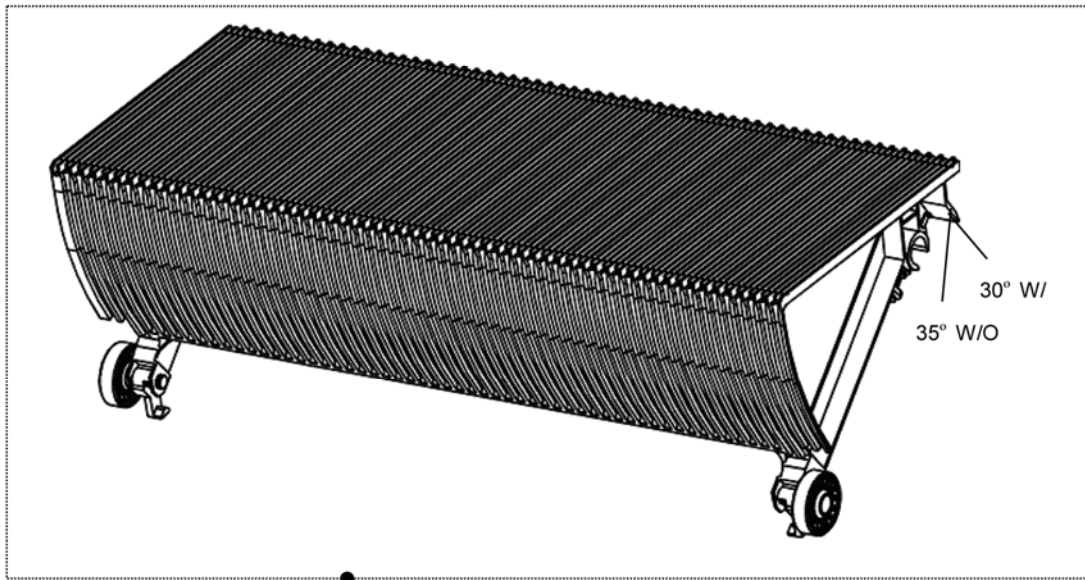


GAA26140L				
REF. No.	PART No. OR M.L.	DESCRIPTION	TYPE	LOCATED
22	GAA26140L122	Grey, w/o Tread Finish	800	Outdoor
23	GAA26140L125	Grey, w/ Tread Finish	800	
24	GAA26140L128	Black, w/ Tread Finish	800	
25	GAA26140L149	Grey, w/ Tread Finish, 3 Sides Yellow Coated	800	
26	GAA26140L152	Black, w/ Tread Finish, 3 Sides Yellow Coated	800	
27	GAA26140L155	Grey, w/ Tread Finish, 2 Sides Yellow Coated	800	
28	GAA26140L158	Black, w/ Tread Finish, 2 Sides Yellow Coated	800	

Escalator Step

53-GAA26140L

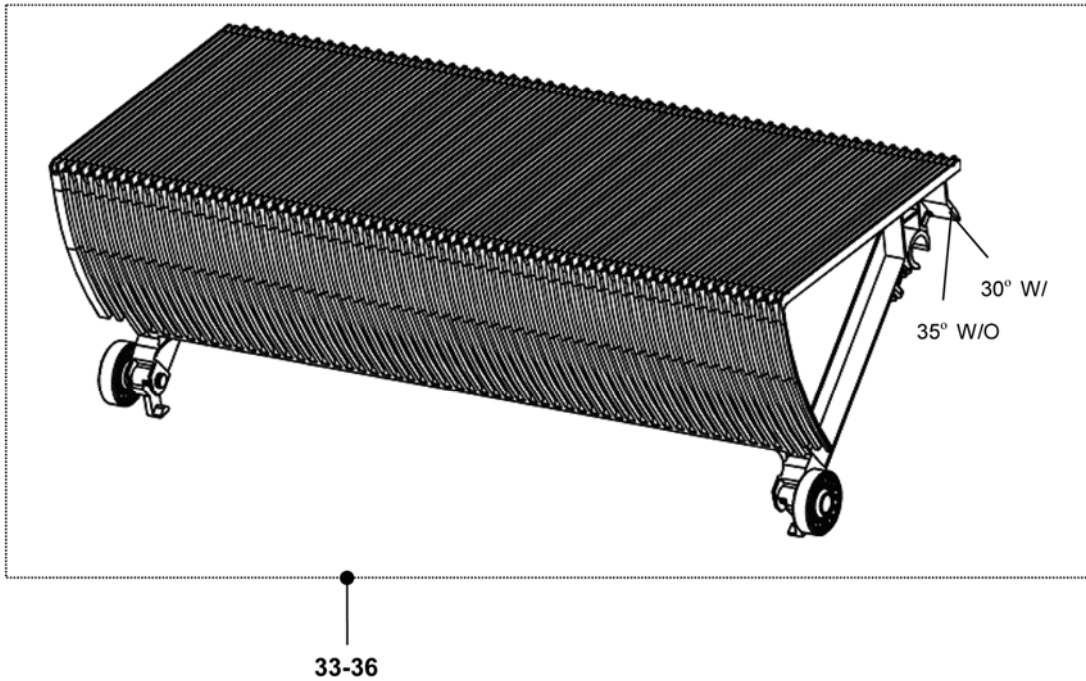
WITH INDEX PIN



29-32

GAA26140L				
REF. No.	PART No. OR M.L.	DESCRIPTION	TYPE	LOCATED
29	GAA26140L162	Non-Painted, w/o Tread Finish	800	Indoor
30	GAA26140L165	Non-Painted, w/ Tread Finish	800	
31	GAA26140L168	Non-Painted, w/ Tread Finish, 3 Sides Yellow Coated	800	
32	GAA26140L171	Non-Painted, w/ Tread Finish, 2 Sides Yellow Coated	800	

WITHOUT INDEX PIN

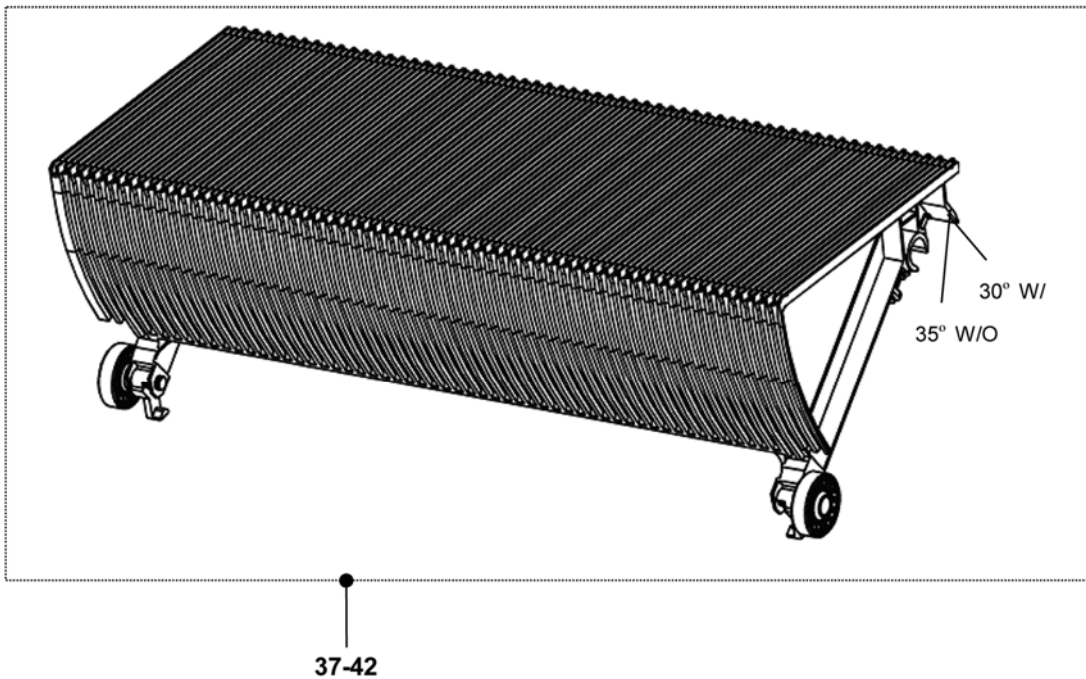


GAA26140L				
REF. No.	PART No. OR M.L.	DESCRIPTION	TYPE	LOCATED
33	GAA26140L174	Non-Painted, w/o Tread Finish	800	Indoor
34	GAA26140L177	Non-Painted, w/ Tread Finish	800	
35	GAA26140L180	Non-Painted, w/ Tread Finish, 3 Sides Yellow Coated	800	
36	GAA26140L183	Non-Painted, w/ Tread Finish, 2 Sides Yellow Coated	800	

Escalator Step

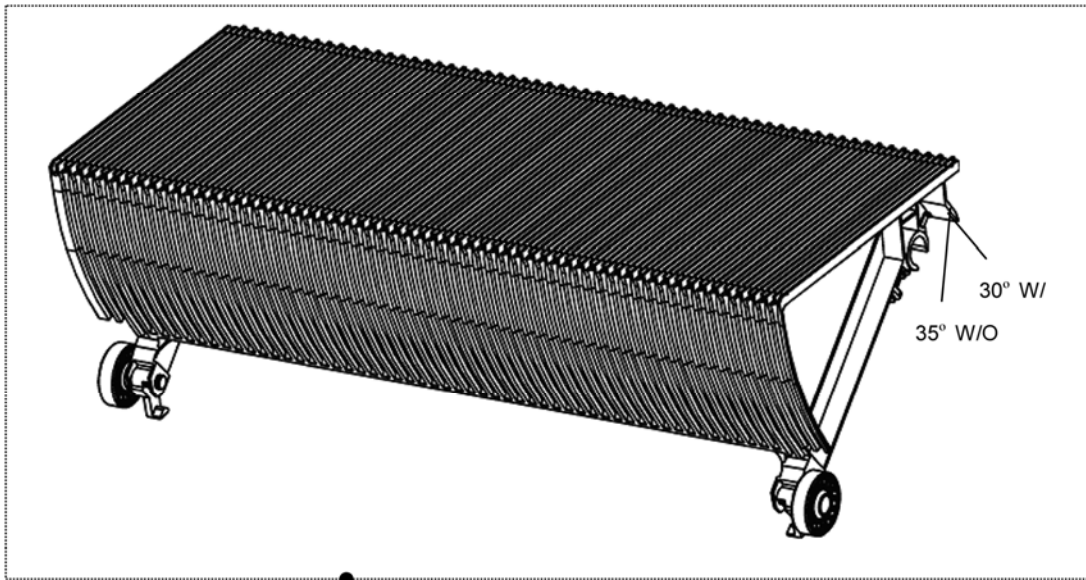
53-GAA26140L

WITH INDEX PIN



GAA26140L				
REF. No.	PART No. OR M.L.	DESCRIPTION	TYPE	LOCATED
37	GAA26140L11	Grey, w/ Tread Finish, 3 Sides Yellow Inserts	800	Indoor
38	GAA26140L14	Black, w/ Tread Finish, 3 Sides Yellow Inserts	800	
39	GAA26140L17	Black, w/ Tread Finish, 2 Sides Yellow Inserts	800	
40	GAA26140L51	Grey, w/ Tread Finish, 3 Sides Yellow Inserts	800	Outdoor
41	GAA26140L54	Black, w/ Tread Finish, 3 Sides Yellow Inserts	800	
42	GAA26140L57	Black, w/ Tread Finish, 2 Sides Yellow Inserts	800	

WITHOUT INDEX PIN

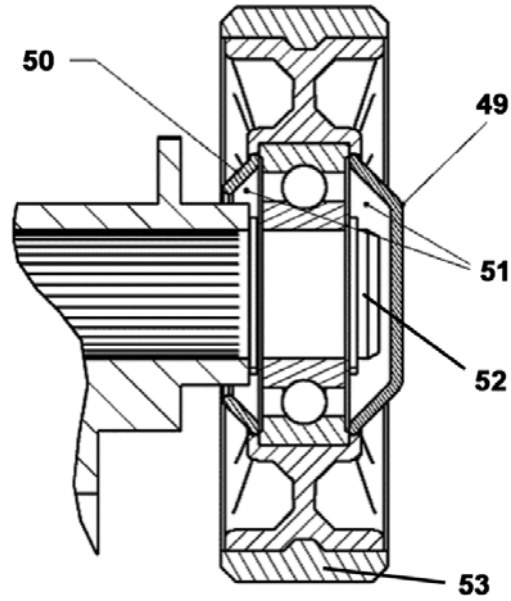


43-48

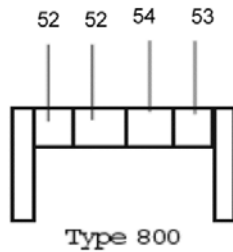
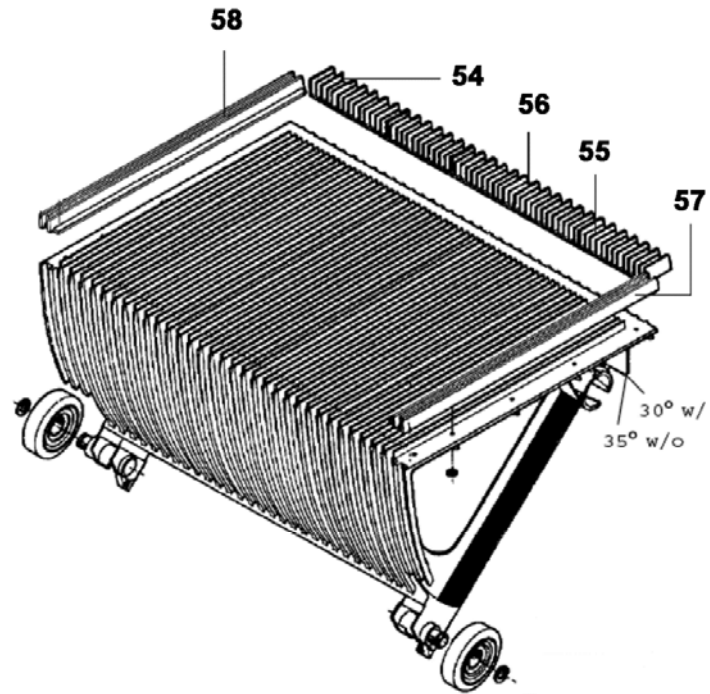
GAA26140L				
REF. No.	PART No. OR M.L.	DESCRIPTION	TYPE	LOCATED
43	GAA26140L91	Grey, w/ Tread Finish, 3 Sides Yellow Inserts	800	Indoor
44	GAA26140L94	Black, w/ Tread Finish, 3 Sides Yellow Inserts	800	
45	GAA26140L97	Black, w/ Tread Finish, 2 Sides Yellow Inserts	800	
46	GAA26140L131	Grey, w/ Tread Finish, 3 Sides Yellow Inserts	800	Outdoor
47	GAA26140L134	Black, w/ Tread Finish, 3 Sides Yellow Inserts	800	
48	GAA26140L137	Black, w/ Tread Finish, 2 Sides Yellow Inserts	800	

Escalator Step

53-GAA26140L



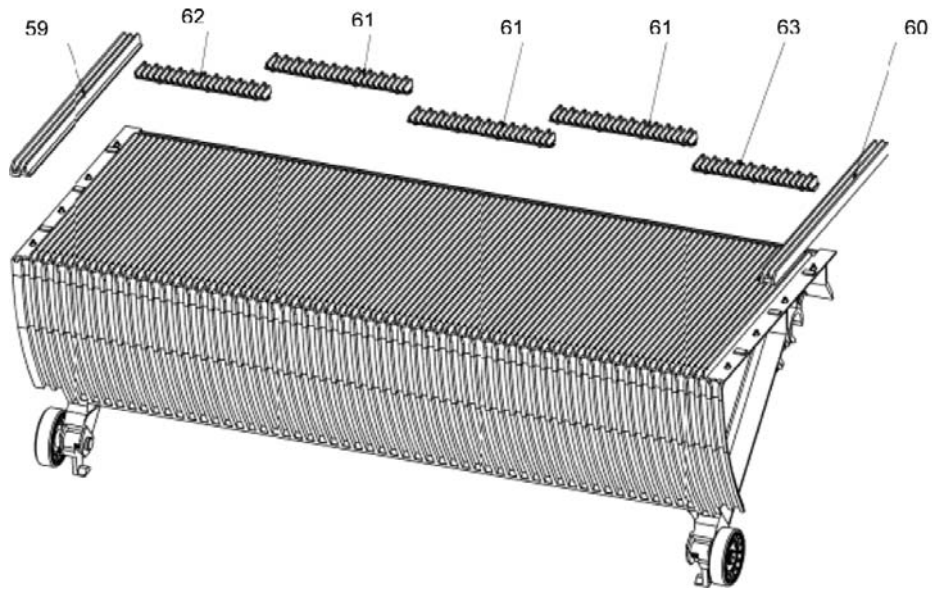
REF. No.	PART No. OR M.L.	DESCRIPTION
	GAA26140L	
49	GAA273WZ1	Cover, Outside
50	GAA273WZ2	Cover, Inside
51	OTIS NO.12	Grease (for outdoor)
52	DIN471 17x1 (163139)	Retaining Ring
53	GAA290CF2	Step Roller



REF. No.	PART No. OR M.L.	DESCRIPTION
	GAA26140L	
54	GO455G3	Yellow Insert for 800 mm Step
55	GO455G4	Yellow Insert for 800 mm Step
56	GO455G5	Yellow Insert for 800 mm Step
57	GO455G11	Yellow Insert, Right
58	GO455G12	Yellow Insert, Left

Escalator Step

53-GAA26140L

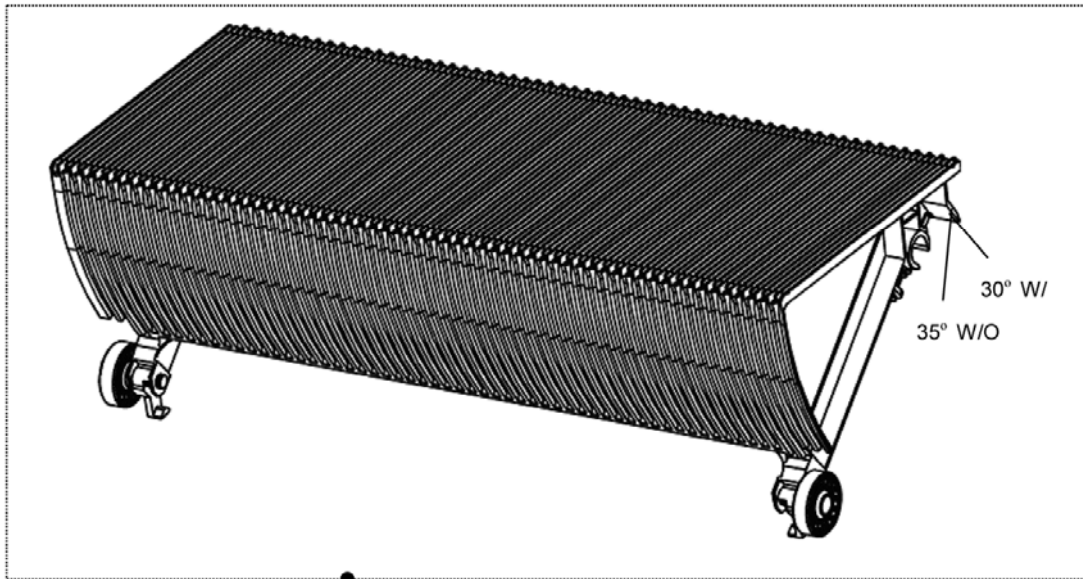


GAA26140L		
REF. No.	PART No. OR M.L.	DESCRIPTION
59	GO455G11	Yellow Insert Right
60	GO455G12	Yellow Insert Left
61	DAA455A1	Yellow Insert for 1000 mm Step
62	DAA455A2	Yellow Insert for 1000 mm Step
63	DAA455A3	Yellow Insert for 1000 mm Step

Escalator Step

53-GAA26140L

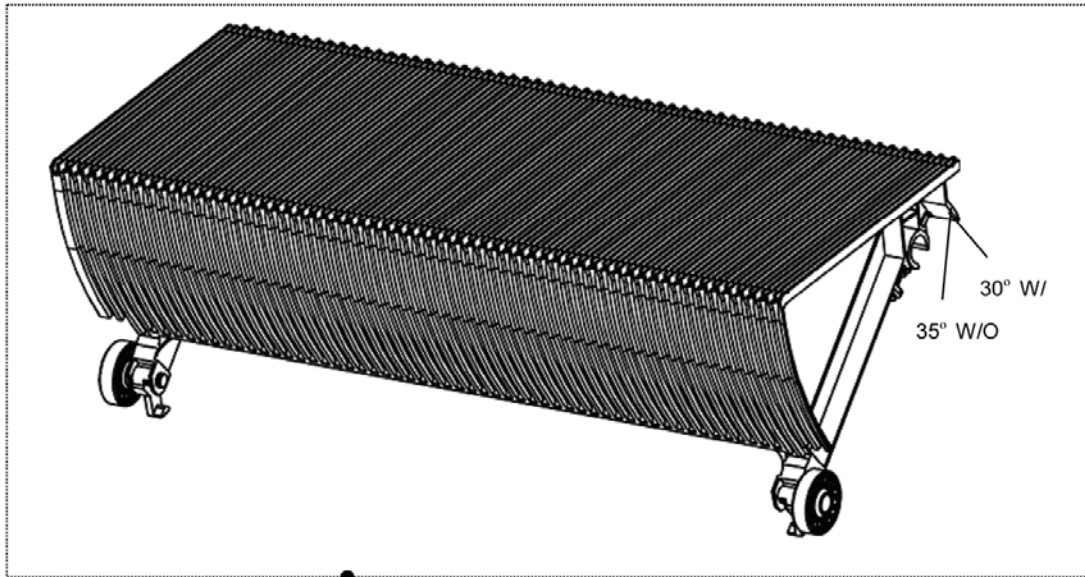
WITH INDEX PIN



64-70

REF. No.	PART No. OR M.L.	DESCRIPTION	TYPE	LOCATED
	GAA26140L			
64	GAA26140L3	Grey, w/o Tread Finish	1000	Indoor
65	GAA26140L6	Grey, w/ Tread Finish	1000	
66	GAA26140L9	Black, w/ Tread Finish	1000	
67	GAA26140L30	Grey, w/ Tread Finish, 3 Sides Yellow Coated	1000	
68	GAA26140L33	Black, w/ Tread Finish, 3 Sides Yellow Coated	1000	
68	GAA26140L36	Grey, w/ Tread Finish, 2 Sides Yellow Coated	1000	
70	GAA26140L39	Black, w/ Tread Finish, 2 Sides Yellow Coated	1000	

WITH INDEX PIN



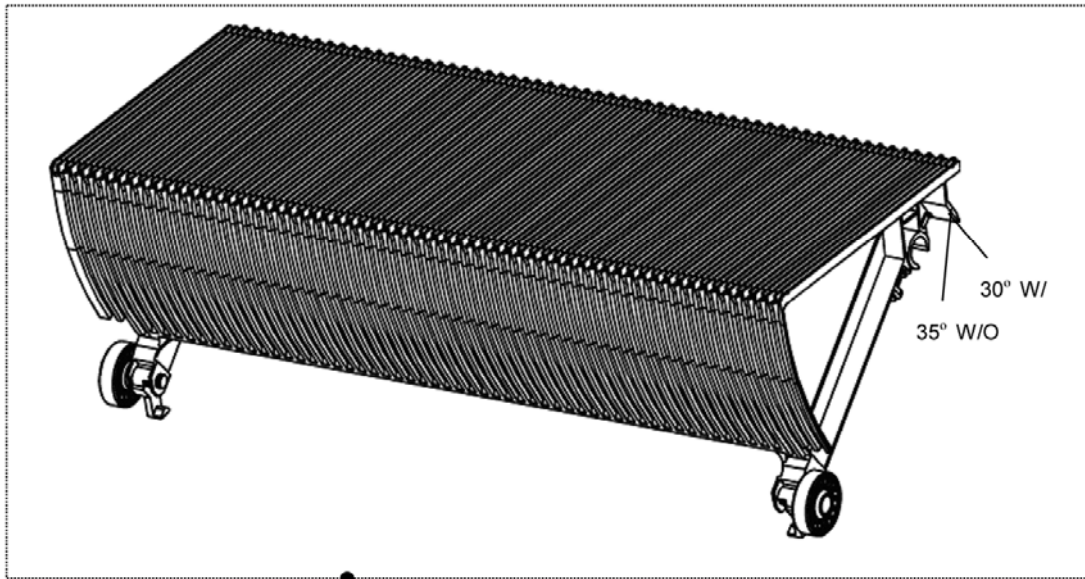
71-77

GAA26140L				
REF. No.	PART No. OR M.L.	DESCRIPTION	TYPE	LOCATED
71	GAA26140L43	Grey, w/o Tread Finish	1000	Outdoor
72	GAA26140L46	Grey, w/ Tread Finish	1000	
73	GAA26140L49	Black, w/ Tread Finish	1000	
74	GAA26140L70	Grey, w/ Tread Finish, 3 Sides Yellow Coated	1000	
75	GAA26140L73	Black, w/ Tread Finish, 3 Sides Yellow Coated	1000	
76	GAA26140L76	Grey, w/ Tread Finish, 2 Sides Yellow Coated	1000	
77	GAA26140L79	Black, w/ Tread Finish, 2 Sides Yellow Coated	1000	

Escalator Step

53-GAA26140L

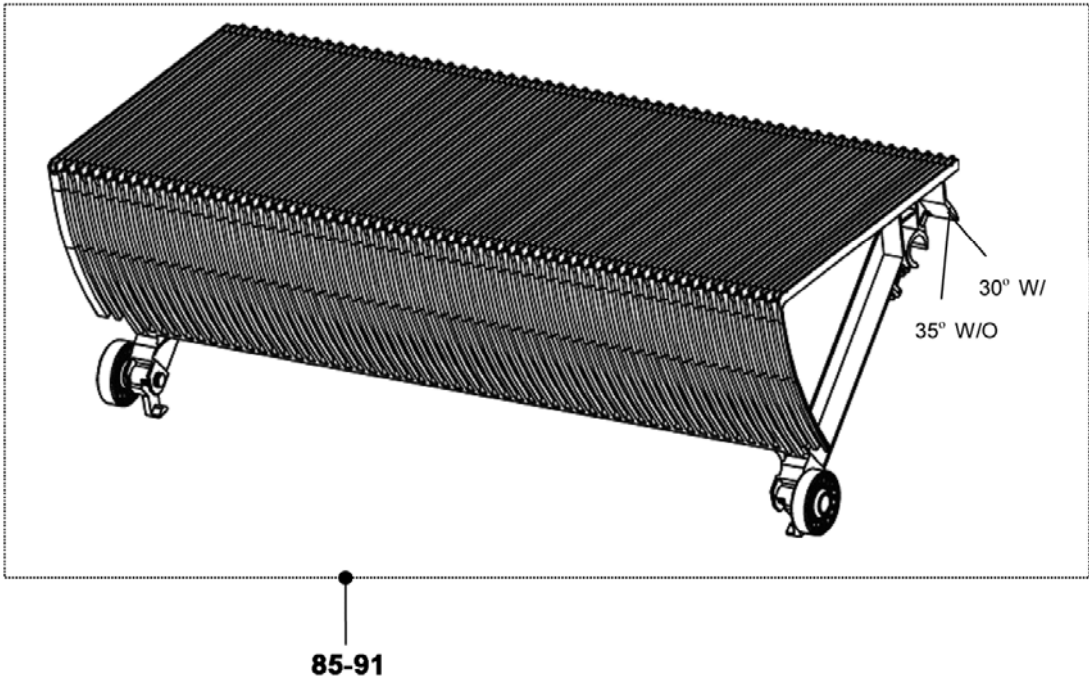
WITHOUT INDEX PIN



78-84

REF. No.	PART No. OR M.L.	DESCRIPTION	TYPE	LOCATED
	GAA26140L			
78	GAA26140L83	Grey, w/o Tread Finish	1000	Indoor
79	GAA26140L86	Grey, w/ Tread Finish	1000	
80	GAA26140L89	Black, w/ Tread Finish	1000	
81	GAA26140L110	Grey, w/ Tread Finish, 3 Sides Yellow Coated	1000	
82	GAA26140L113	Black, w/ Tread Finish, 3 Sides Yellow Coated	1000	
83	GAA26140L116	Grey, w/ Tread Finish, 2 Sides Yellow Coated	1000	
84	GAA26140L119	Black, w/ Tread Finish, 2 Sides Yellow Coated	1000	

WITHOUT INDEX PIN

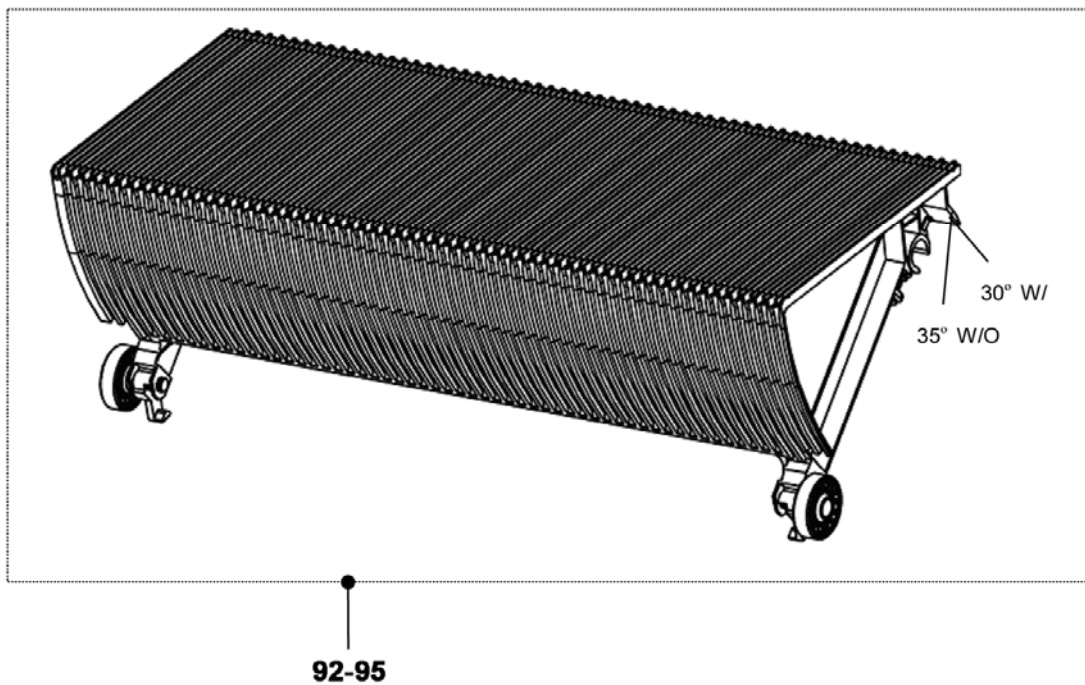


REF. No.	PART No. OR M.L.	DESCRIPTION	TYPE	LOCATED
	GAA26140L			
85	GAA26140L123	Grey, w/o Tread Finish	1000	Outdoor
86	GAA26140L126	Grey, w/ Tread Finish	1000	
87	GAA26140L129	Black, w/ Tread Finish	1000	
88	GAA26140L150	Grey, w/ Tread Finish, 3 Sides Yellow Coated	1000	
89	GAA26140L153	Black, w/ Tread Finish, 3 Sides Yellow Coated	1000	
90	GAA26140L156	Grey, w/ Tread Finish, 2 Sides Yellow Coated	1000	
91	GAA26140L159	Black, w/ Tread Finish, 2 Sides Yellow Coated	1000	

Escalator Step

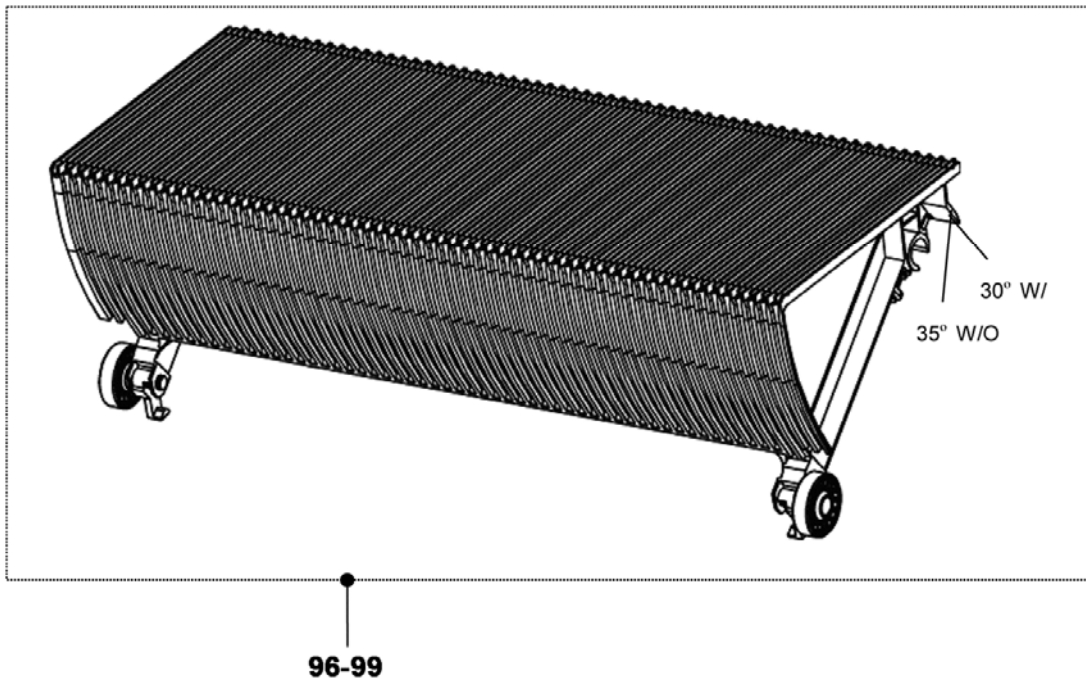
53-GAA26140L

WITH INDEX PIN



REF. No.	PART No. OR M.L.	DESCRIPTION	TYPE	LOCATED
	GAA26140L			
92	GAA26140L163	Non-Painted, w/o Tread Finish	1000	Indoor
93	GAA26140L166	Non-Painted, w/ Tread Finish	1000	
94	GAA26140L169	Non-Painted, w/ Tread Finish, 3 Sides Yellow Coated	1000	
95	GAA26140L172	Non-Painted, w/ Tread Finish, 2 Sides Yellow Coated	1000	

WITHOUT INDEX PIN

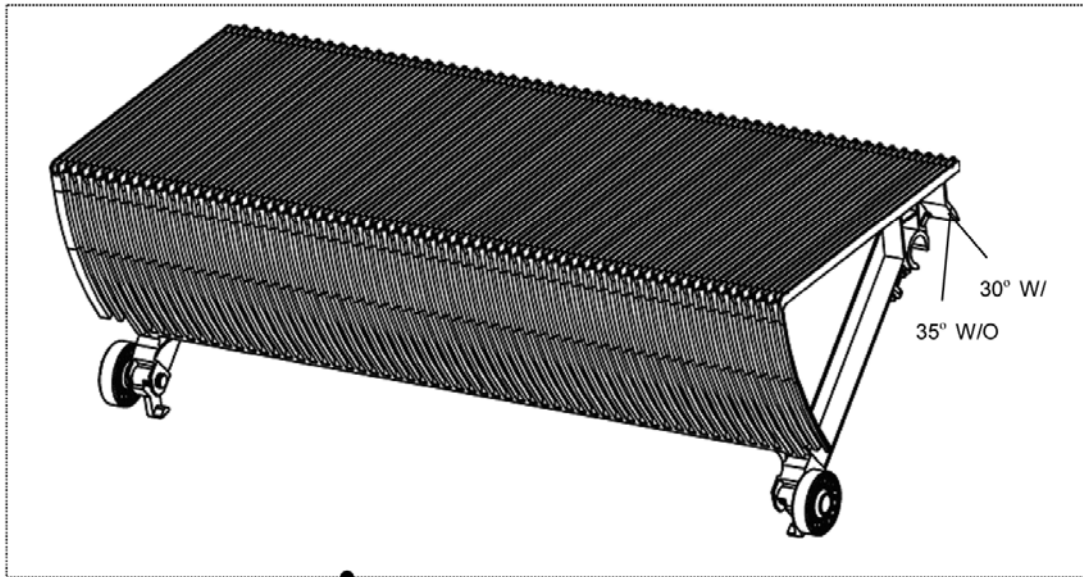


GAA26140L				
REF. No.	PART No. OR M.L.	DESCRIPTION	TYPE	LOCATED
96	GAA26140L175	Non-Painted, w/o Tread Finish	1000	Indoor
97	GAA26140L178	Non-Painted, w/ Tread Finish	1000	
98	GAA26140L181	Non-Painted, w/ Tread Finish, 3 Sides Yellow Coated	1000	
99	GAA26140L184	Non-Painted, w/ Tread Finish, 2 Sides Yellow Coated	1000	

Escalator Step

53-GAA26140L

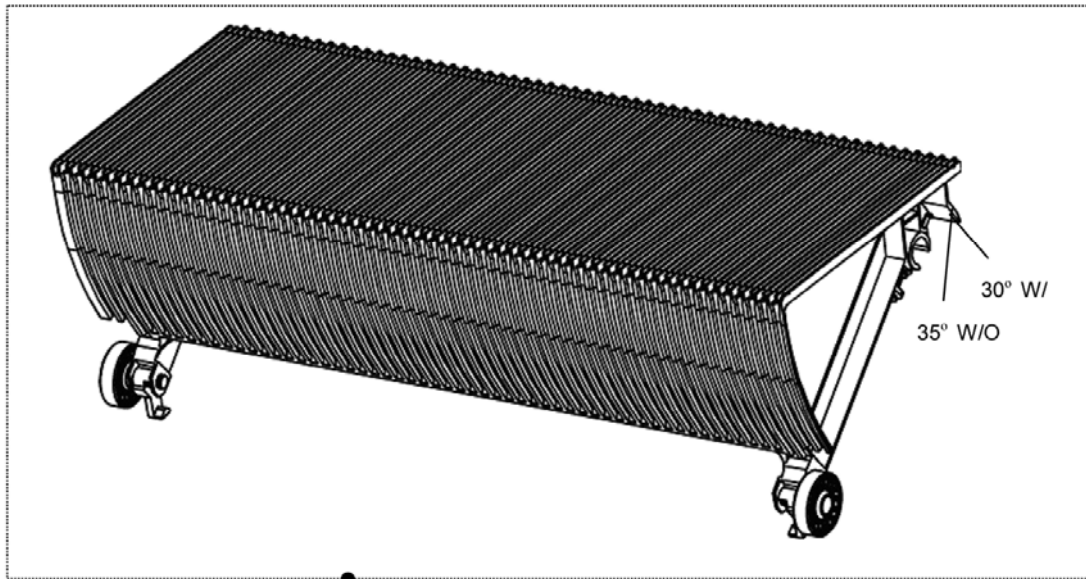
WITH INDEX PIN



100-105

REF. No.	PART No. OR M.L.	DESCRIPTION	TYPE	LOCATED
	GAA26140L			
100	GAA26140L12	Grey, w/ Tread Finish, 3 Sides Yellow Inserts	1000	Indoor
101	GAA26140L15	Black, w/ Tread Finish, 3 Sides Yellow Inserts	1000	
102	GAA26140L18	Black, w/ Tread Finish, 2 Sides Yellow Inserts	1000	
103	GAA26140L52	Grey, w/ Tread Finish, 3 Sides Yellow Inserts	1000	Outdoor
104	GAA26140L55	Black, w/ Tread Finish, 3 Sides Yellow Inserts	1000	
105	GAA26140L58	Black, w/ Tread Finish, 2 Sides Yellow Inserts	1000	

WITHOUT INDEX PIN



106-111

REF. No.	GAA26140L PART No. OR M.L.	DESCRIPTION	TYPE	LOCATED
106	GAA26140L92	Grey, w/ Tread Finish, 3 Sides Yellow Inserts	1000	Indoor
107	GAA26140L95	Black, w/ Tread Finish, 3 Sides Yellow Inserts	1000	
108	GAA26140L98	Black, w/ Tread Finish, 2 Sides Yellow Inserts	1000	
109	GAA26140L132	Grey, w/ Tread Finish, 3 Sides Yellow Inserts	1000	Outdoor
110	GAA26140L135	Black, w/ Tread Finish, 3 Sides Yellow Inserts	1000	
111	GAA26140L138	Black, w/ Tread Finish, 2 Sides Yellow Inserts	1000	