

Leaflet Description

Escalator Step GAA 26140 M

Leaflet Revisions

Date Revised	Subject Matter Expert	Reason for Revision
Mar. 19, 2007	Tian, Ruoming	Added steps, serial No. 102-113, see page 13.
Mar. 05, 2010	Tian, Ruoming	Parts added on page 14-16.
Mar. 04, 2011	Tian, Ruoming	Ref. No. 140-144 added on page 17.
Mar. 31, 2014	Tian, Ruoming	Parts changed, added, deleted from page 3-35, according to the drawing changes.
May 20, 2015	Tian, Ruoming	Ref. No. 210-218 fasteners of plastic inserts added on page 38.
Dec. 30, 2015	Shu, Jiqian	Steps part numbers for JIS added on pages 39-40. Inserts updated on page 36.
Apr. 16, 2021	Tao, Yongxiang	Added new step, serial No. 237-260 on page 41-45. Added note on page 3-33, 39~44.

Related Drawings

Drawing No.	Title	Drawing No.	Title
GAA26140M	Step	DAA27076A	Step

Related Documents

Document ID	Title
BOM GAA26140M	Step

Subject Matter Expert

Name	Department
Tian, Ruoming	SIT-GUANGZHOU

About Spare Parts Leaflets...

This document lists the lowest replaceable units (LRUs) for the standard version of the product. The LRUs are chosen by a team of Otis associates representing engineering and manufacturing.

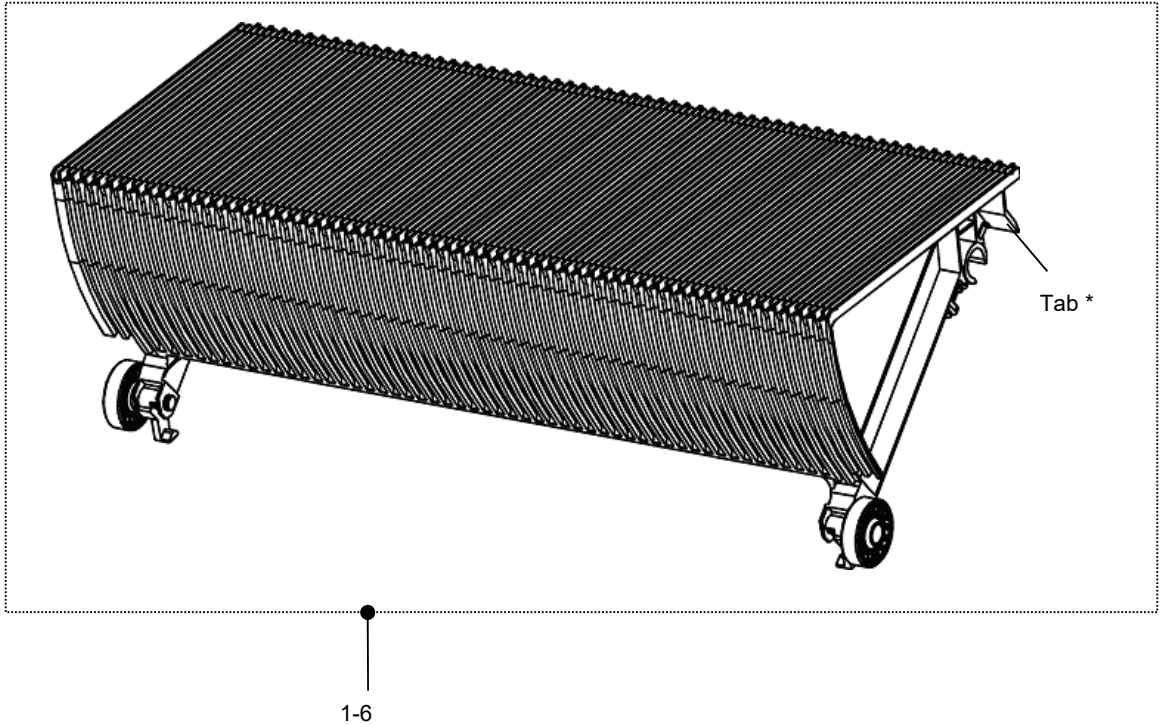
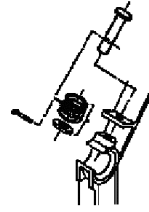
While goal of this document is to make parts identification as easy as possible, the document cannot be all-inclusive. Elevator and escalator contracts classified as “special” or “custom” are not addressed here. For such contracts, please refer to specified information, the contract folder, TIPs, Field Education Articles, Construction Letters, etc. for further information.

If you have any suggestions about this document, please contact the subject matter expert listed on this page.

Escalator Step









53-GAA26140M

WITH INDEX PIN



*Note: For LINK_ANSI escalator, step tab must be cut before replacement. Please refer to cut method on page 45 for installation.

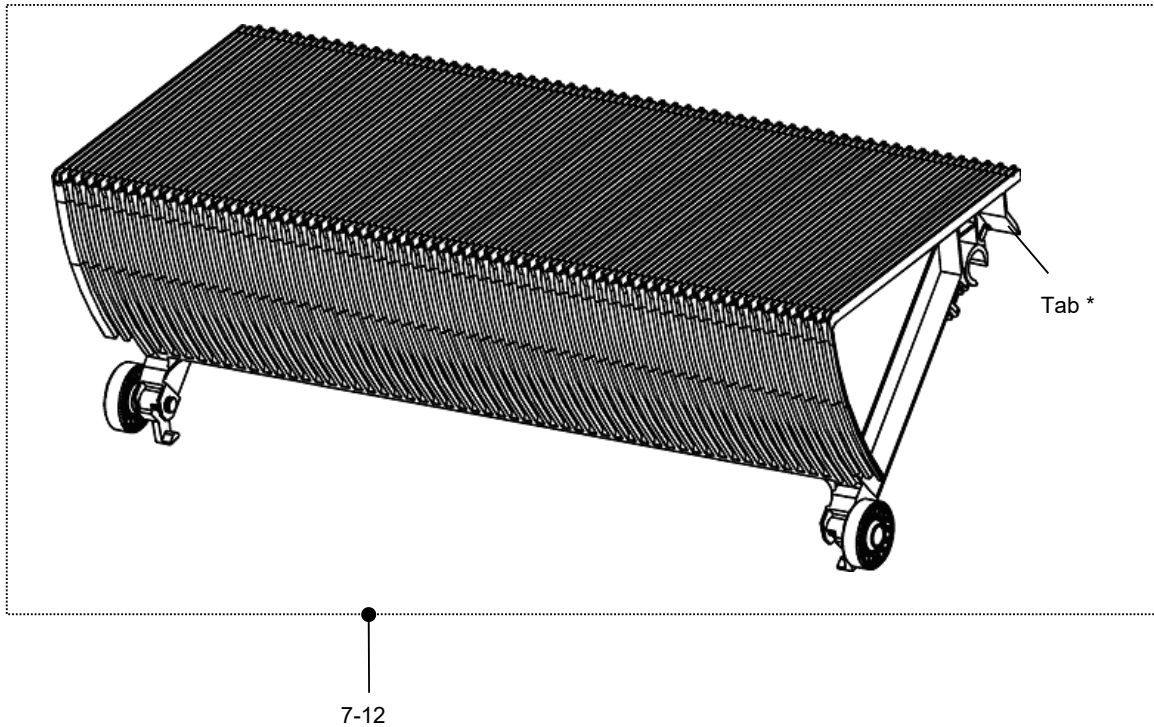
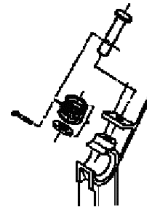
35° escalator, the tab must be cut before replacement.

GAA26140M				
REF. No.	PART No. OR M.L.	DESCRIPTION	Type	Located
1	GAA26140M1 	Grey, without tread finished	1000	Indoor
	GAA26140M13 			
2	GAA26140M2 		800	
	GAA26140M14 			
3	GAA26140M161		600	
4	GAA26140M3 		Grey, with tread finished	
	GAA26140M15 			
5	GAA26140M4 	800		
	GAA26140M16 			
6	GAA26140M162	600		

Escalator Step

53-GAA26140M

WITH INDEX PIN



*Note: For LINK_ANSI escalator, step tab must be cut before replacement. Please refer to cut method on page 45 for installation.

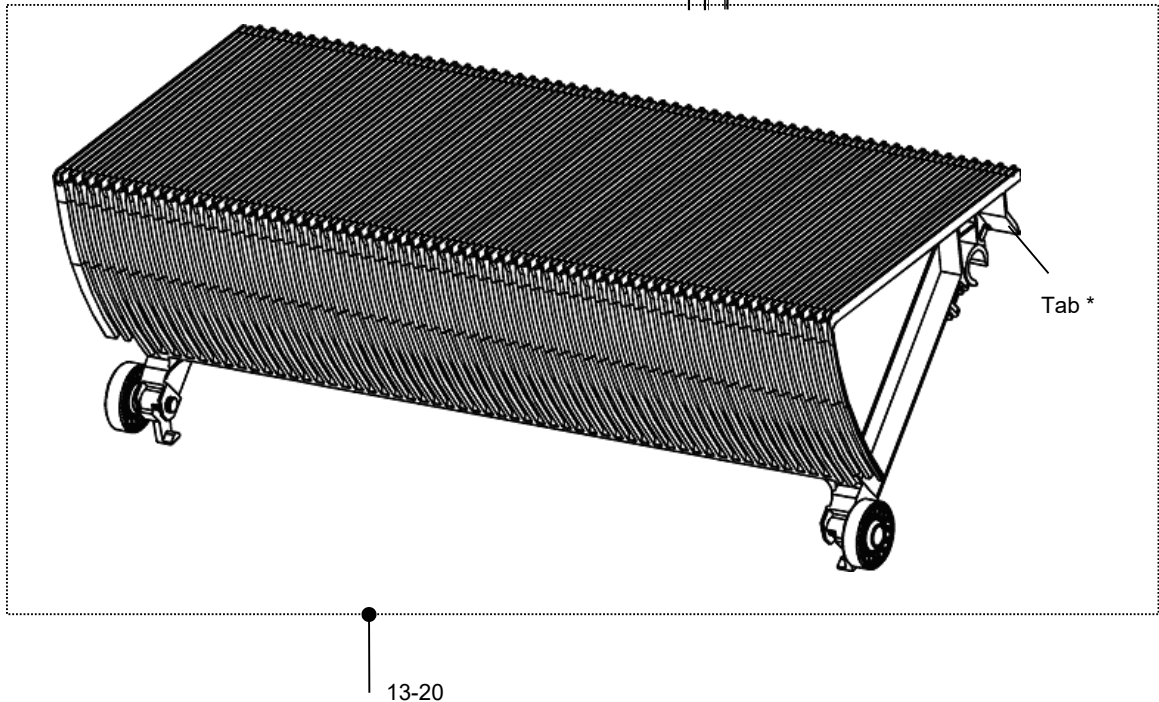
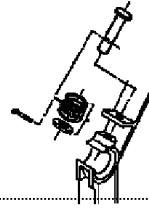
35° escalator, the tab must be cut before replacement.

GAA26140M				
REF. No.	PART No. OR M.L.	DESCRIPTION	Type	Located
7	GAA26140M5		1000	Indoor
	GAA26140M17			
8	GAA26140M6	Black, with tread finished	800	
	GAA26140M18			
9	GAA26140M163		600	
10	GAA26140M25	Without coated, without tread finished	1000	
11	GAA26140M26		800	
12	GAA26140M167		600	

Escalator Step









53-GAA26140M

WITH INDEX PIN



*Note: For LINK_ANSI escalator, step tab must be cut before replacement. Please refer to cut method on page 45 for installation.

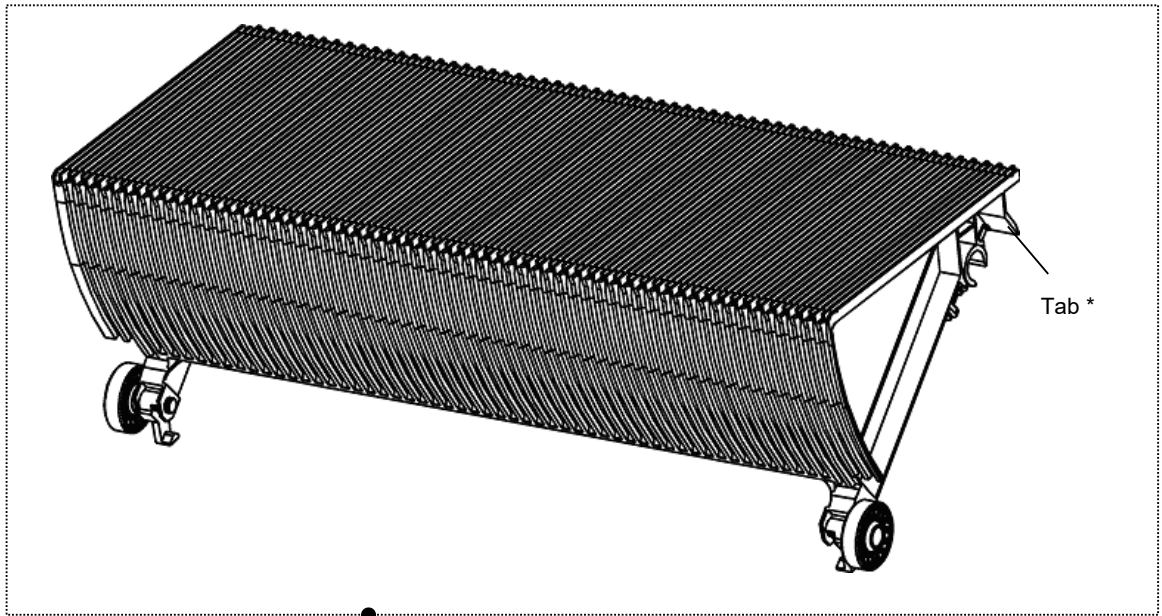
35° escalator, the tab must be cut before replacement.

GAA26140M				
REF. No.	PART No. OR M.L.	DESCRIPTION	Type	Located
13	GAA26140M13	Grey, without tread finished	1000	Outdoor
14	GAA26140M14		800	
15	GAA26140M15 		1000	
	GAA26140M315 			
16	GAA26140M16 	Grey, with tread finished	800	
	GAA26140M316 			
17	GAA26140M462		600	
18	GAA26140M17 		1000	
	GAA26140M317 			
19	GAA26140M18 	Black, with tread finished	800	
	GAA26140M318 			
20	GAA26140M463		600	

Escalator Step

53-GAA26140M

WITHOUT INDEX PIN



21-26

*Note: For LINK_ANSI escalator, step tab must be cut before replacement. Please refer to cut method on page 45 for installation.

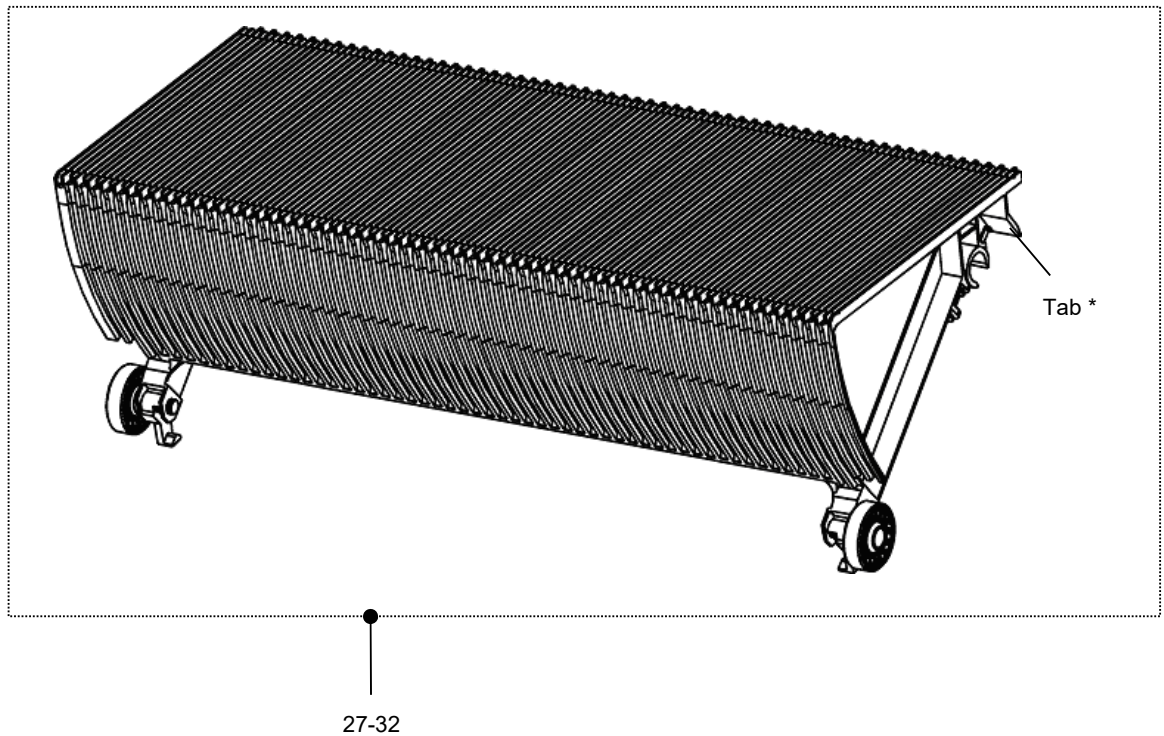
35° escalator, the tab must be cut before replacement.

GAA26140M				
REF. No.	PART No. OR M.L.	DESCRIPTION	Type	Located
21	GAA26140M7	Grey, without tread finished	1000	Indoor
	GAA26140M19		800	
22	GAA26140M8	Grey, with tread finished	800	
	GAA26140M20		600	
23	GAA26140M164		600	
24	GAA26140M9	Grey, with tread finished	1000	
	GAA26140M21		800	
25	GAA26140M10	Grey, with tread finished	800	
	GAA26140M22		600	
26	GAA26140M165		600	

Escalator Step

53-GAA26140M

WITHOUT INDEX PIN



*Note: For LINK_ANSI escalator, step tab must be cut before replacement. Please refer to cut method on page 45 for installation.

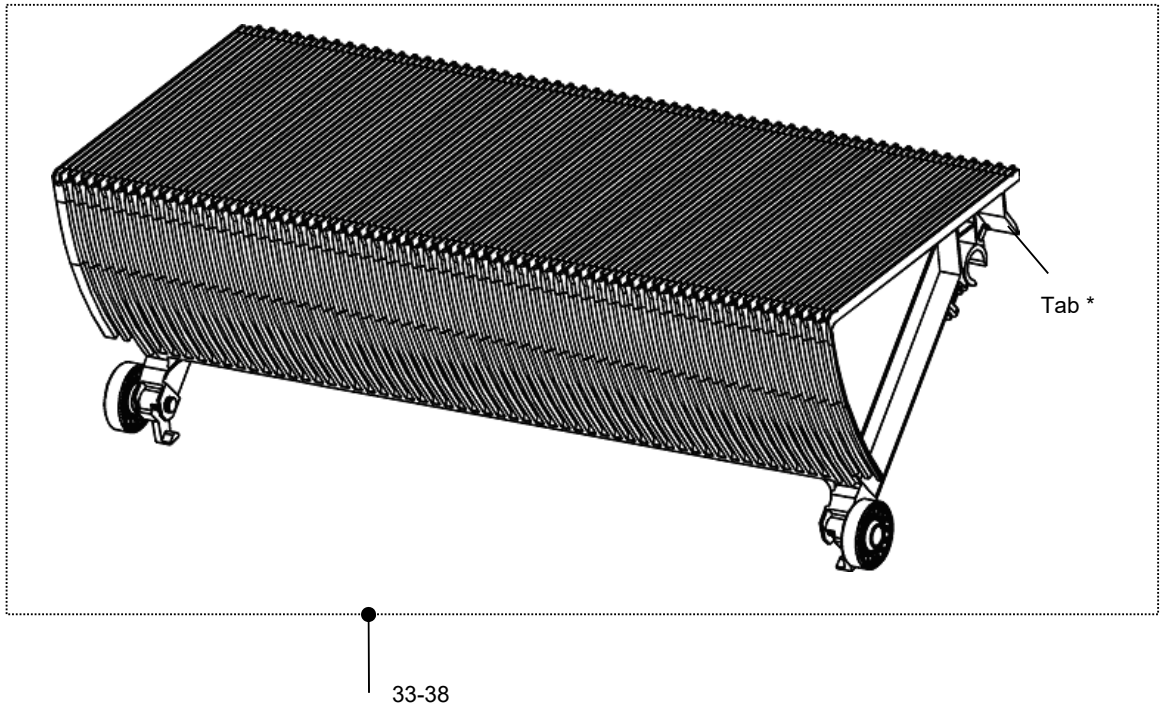
35° escalator, the tab must be cut before replacement.

GAA26140M				
REF. No.	PART No. OR M.L.	DESCRIPTION	Type	Located
27	GAA26140M11		1000	Indoor
	GAA26140M23			
28	GAA26140M12	Black, with tread finished	800	
	GAA26140M24			
29	GAA26140M166		600	
30	GAA26140M27		1000	
31	GAA26140M28	Without coated, without tread finished	800	
32	GAA26140M168		600	

Escalator Step









53-GAA26140M

WITHOUT INDEX PIN



*Note: For LINK_ANSI escalator, step tab must be cut before replacement. Please refer to cut method on page 45 for installation.

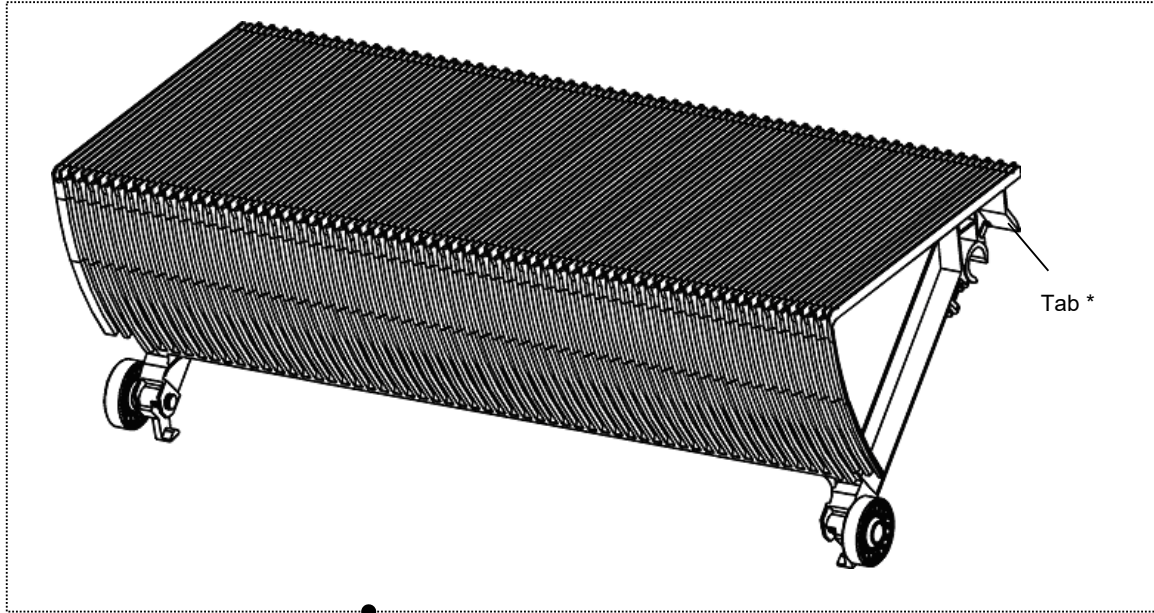
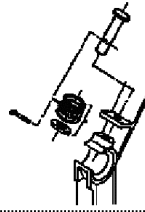
35° escalator, the tab must be cut before replacement.

GAA26140M				
REF. No.	PART No. OR M.L.	DESCRIPTION	Type	Located
	GAA26140M19	Grey, without tread finished	4000	Outdoor
	GAA26140M20		800	
33	GAA26140M21 		1000	
	GAA26140M321 			
34	GAA26140M22 	Grey, with tread finished	800	
	GAA26140M322 			
35	GAA26140M465		600	
36	GAA26140M23 		1000	
	GAA26140M323 			
37	GAA26140M24 	Black, with tread finished	800	
	GAA26140M324 			
38	GAA26140M466		600	

Escalator Step

53-GAA26140M

WITH INDEX PIN



39-47

*Note: For LINK_ANSI escalator, step tab must be cut before replacement. Please refer to cut method on page 45 for installation.

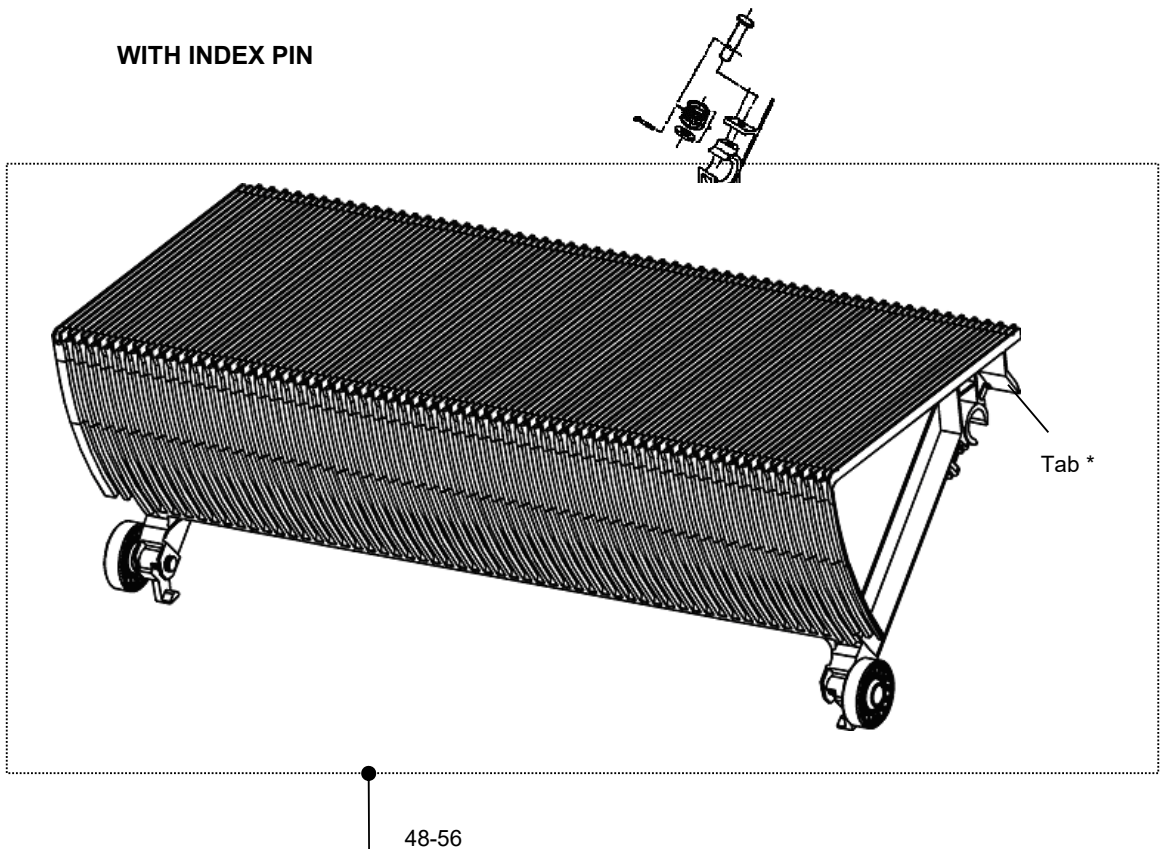
35° escalator, the tab must be cut before replacement.

GAA26140M				
REF. No.	PART No. OR M.L.	DESCRIPTION	Type	Located
39	GAA26140M107	Grey, without tread finished, 2 sides yellow inserts	1000	Indoor
40	GAA26140M125		800	
41	GAA26140M195		600	
42	GAA26140M29	Grey, with tread finished, 2 sides yellow inserts	1000	
	GAA26140M45			
43	GAA26140M30	Grey, with tread finished, 2 sides yellow inserts	800	
	GAA26140M46			
44	GAA26140M169		600	
45	GAA26140M105	Non-painted, with tread finished, 2 sides yellow inserts	1000	
46	GAA26140M123		800	
47	GAA26140M187		600	

Escalator Step

53-GAA26140M

WITH INDEX PIN



*Note: For LINK_ANSI escalator, step tab must be cut before replacement. Please refer to cut method on page 45 for installation.

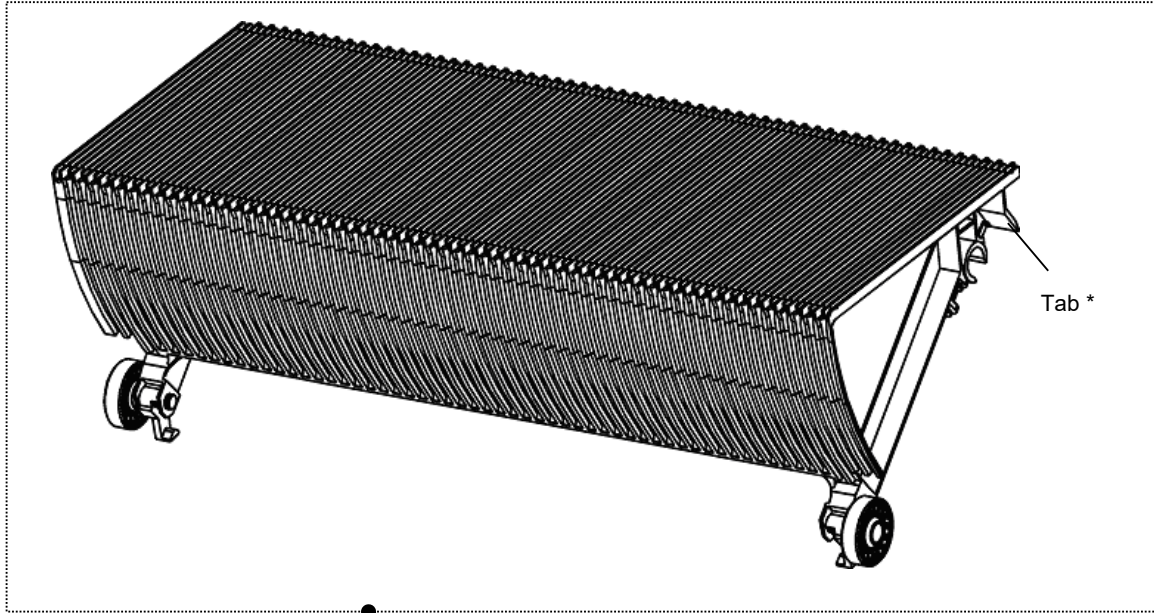
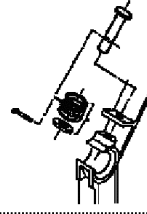
35° escalator, the tab must be cut before replacement.

GAA26140M				
REF. No.	PART No. OR M.L.	DESCRIPTION	Type	Located
48	GAA26140M31		1000	Indoor
	GAA26140M47			
49	GAA26140M32	Black, with tread finished, 2 sides yellow Inserts	800	
	GAA26140M48			
50	GAA26140M170		600	
51	GAA26140M109	Grey, without tread finished, visible area coated, 3 sides yellow inserts	1000	
52	GAA26140M127		800	
53	GAA26140M196		600	
54	GAA26140M33		1000	
	GAA26140M49			
55	GAA26140M34	Grey, with tread finished, 3 sides yellow Inserts	800	
	GAA26140M50			
56	GAA26140M171		600	

Escalator Step

53-GAA26140M

WITH INDEX PIN



57-62

*Note: For LINK_ANSI escalator, step tab must be cut before replacement. Please refer to cut method on page 45 for installation.

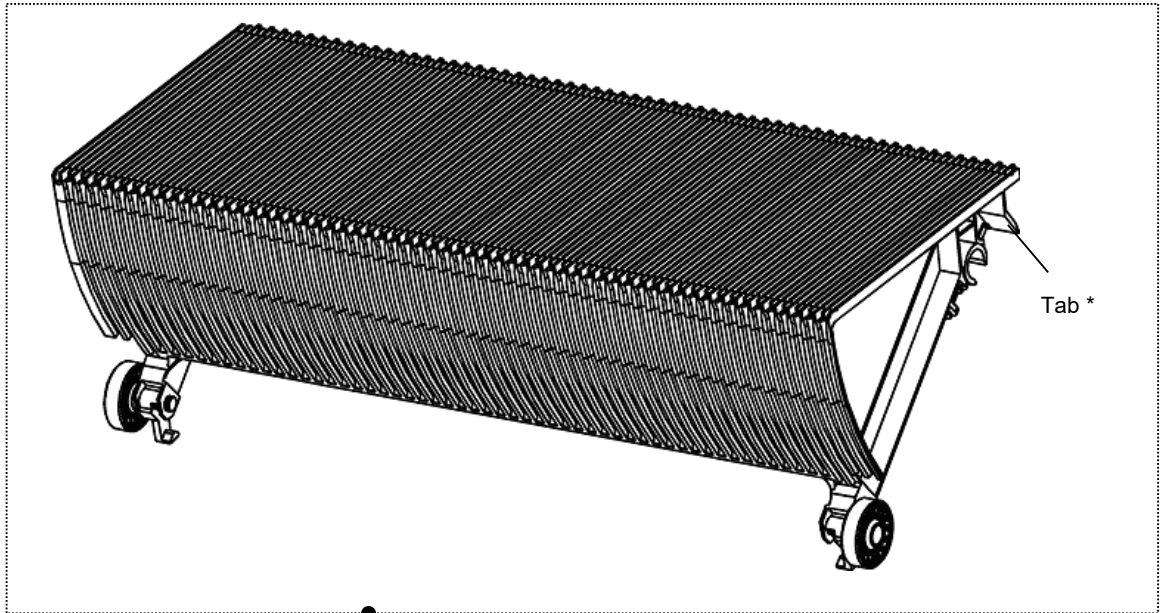
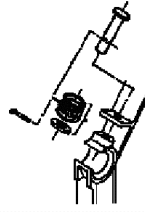
35° escalator, the tab must be cut before replacement.

GAA26140M				
REF. No.	PART No. OR M.L.	DESCRIPTION	Type	Located
57	GAA26140M35	Black, with tread finished, 3 sides yellow Inserts	1000	Indoor
	GAA26140M51			
58	GAA26140M36		800	
	GAA26140M52			
59	GAA26140M172		600	
60	GAA26140M106		1000	
61	GAA26140M124	800		
62	GAA26140M188	600		
		Non-painted, with tread finished, 3 sides yellow inserts		

Escalator Step

53-GAA26140M

WITH INDEX PIN



63-68

*Note: For LINK_ANSI escalator, step tab must be cut before replacement. Please refer to cut method on page 45 for installation.

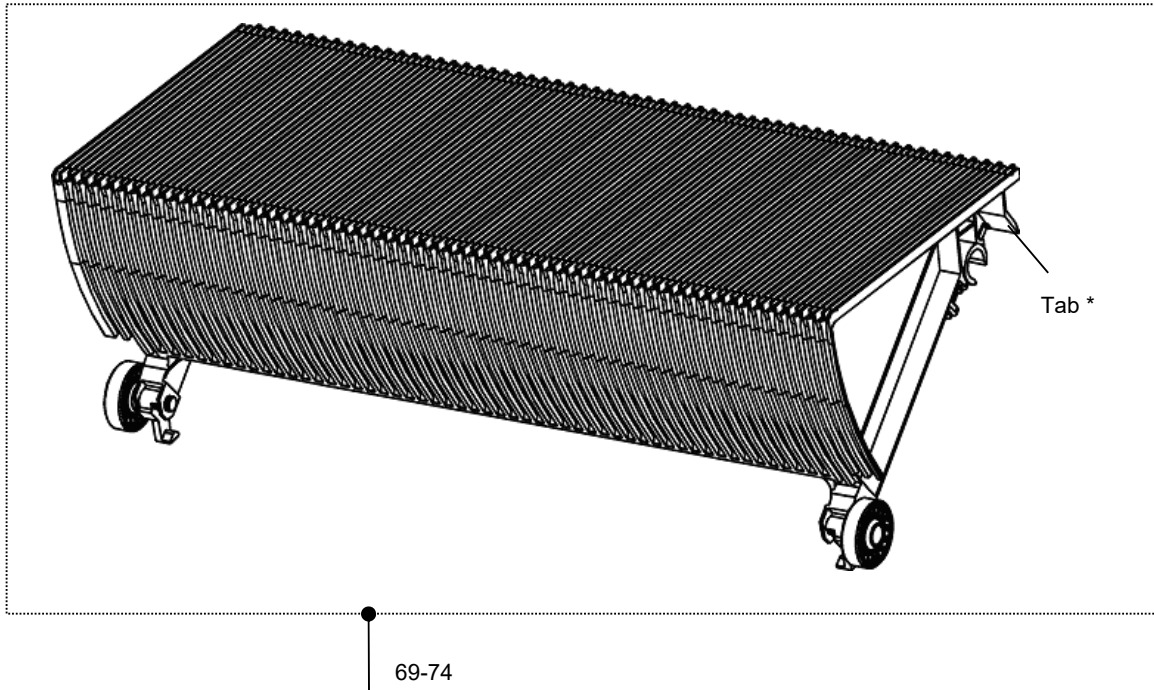
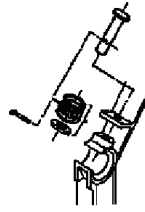
35° escalator, the tab must be cut before replacement.

GAA26140M					
REF. No.	PART No. OR M.L.	DESCRIPTION	Type	Located	
63	GAA26140M45	Grey, with tread finished, 2 sides yellow inserts	1000	Outdoor	
	GAA26140M345				
64	GAA26140M46		800		
	GAA26140M346				
65	GAA26140M469		600		
66	GAA26140M47		Black, with tread finished, 2 sides yellow inserts		1000
	GAA26140M347				
67	GAA26140M48				800
	GAA26140M348				
68	GAA26140M470	600			

Escalator Step

53-GAA26140M

WITH INDEX PIN



*Note: For LINK_ANSI escalator, step tab must be cut before replacement. Please refer to cut method on page 45 for installation.

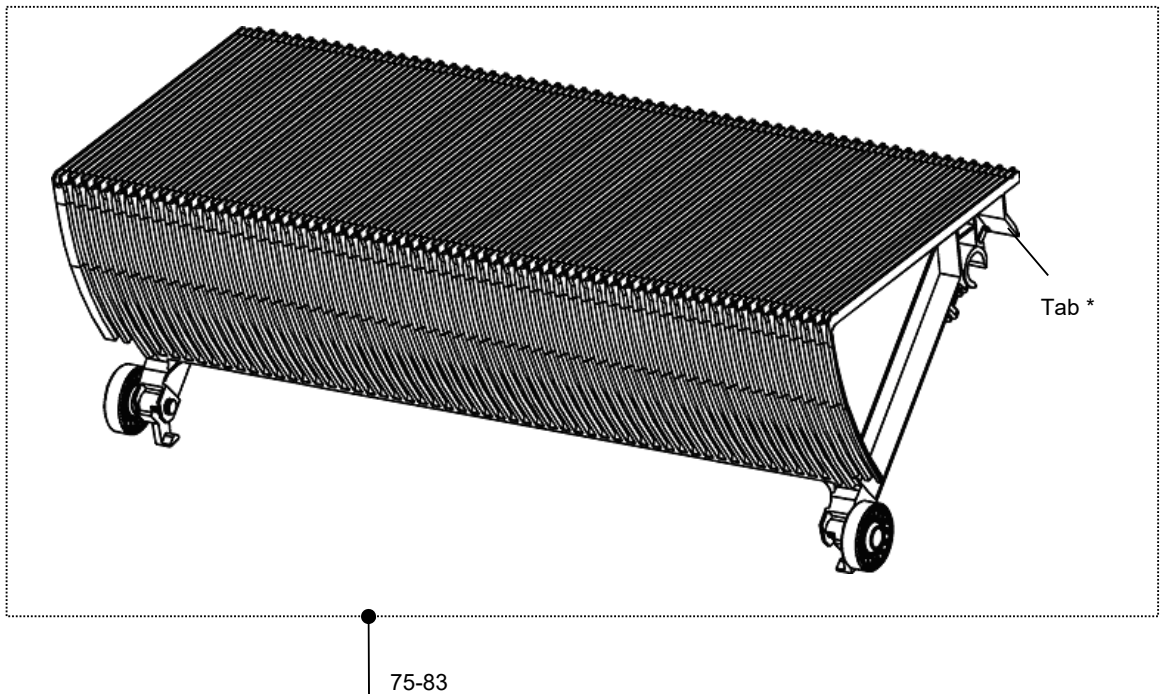
35° escalator, the tab must be cut before replacement.

GAA26140M				
REF. No.	PART No. OR M.L.	DESCRIPTION	Type	Located
69	GAA26140M49		1000	Outdoor
	GAA26140M349			
70	GAA26140M50	Grey, with tread linished, 3 sides yellow inserts	800	
	GAA26140M350			
71	GAA26140M471		600	
72	GAA26140M51		1000	
	GAA26140M351			
73	GAA26140M52	Black, with tread linished, 3 sides yellow Inserts	800	
	GAA26140M352			
74	GAA26140M472		600	

Escalator Step

53-GAA26140M

WITHOUT INDEX PIN



*Note: For LINK_ANSI escalator, step tab must be cut before replacement. Please refer to cut method on page 45 for installation.

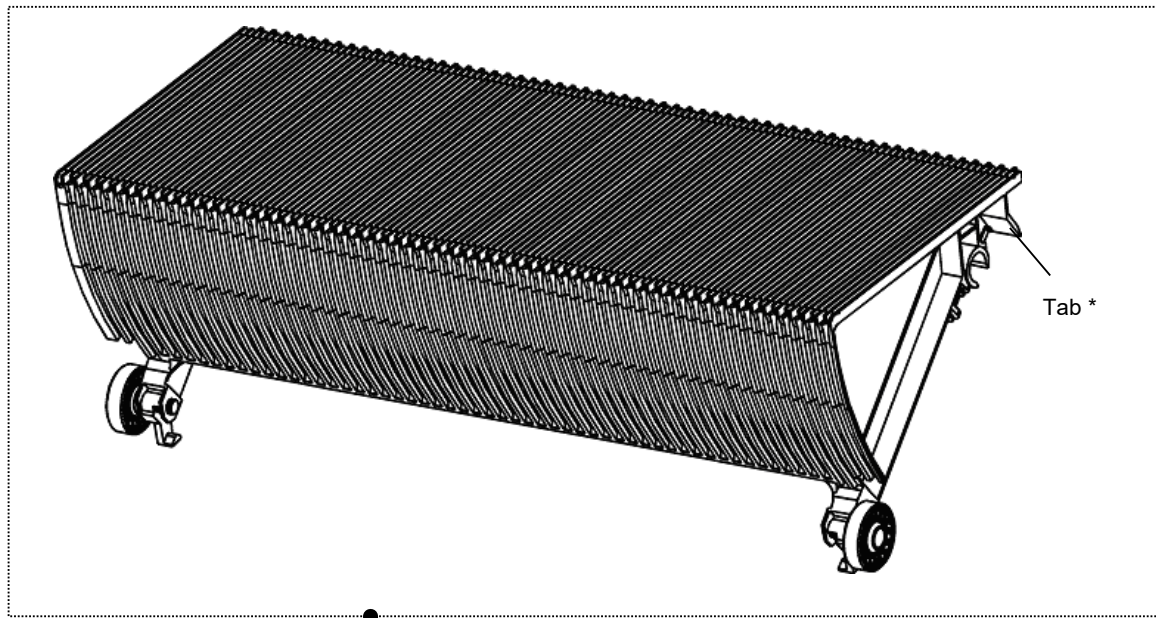
35° escalator, the tab must be cut before replacement.

GAA26140M				
REF. No.	PART No. OR M.L.	DESCRIPTION	Type	Located
75	GAA26140M37		1000	Indoor
	GAA26140M53			
76	GAA26140M38	Grey, with tread finished, 2 sides yellow inserts	800	
	GAA26140M54			
77	GAA26140M173		600	
78	GAA26140M39		1000	
	GAA26140M55			
79	GAA26140M40	Black, with tread finished, 2 sides yellow inserts	800	
	GAA26140M56			
80	GAA26140M174		600	
81	GAA26140M129		1000	
82	GAA26140M131	Grey, without tread finished, 2 sides yellow inserts	800	
83	GAA26140M199		600	

Escalator Step

53-GAA26140M

WITHOUT INDEX PIN



84-89

*Note: For LINK_ANSI escalator, step tab must be cut before replacement. Please refer to cut method on page 45 for installation.

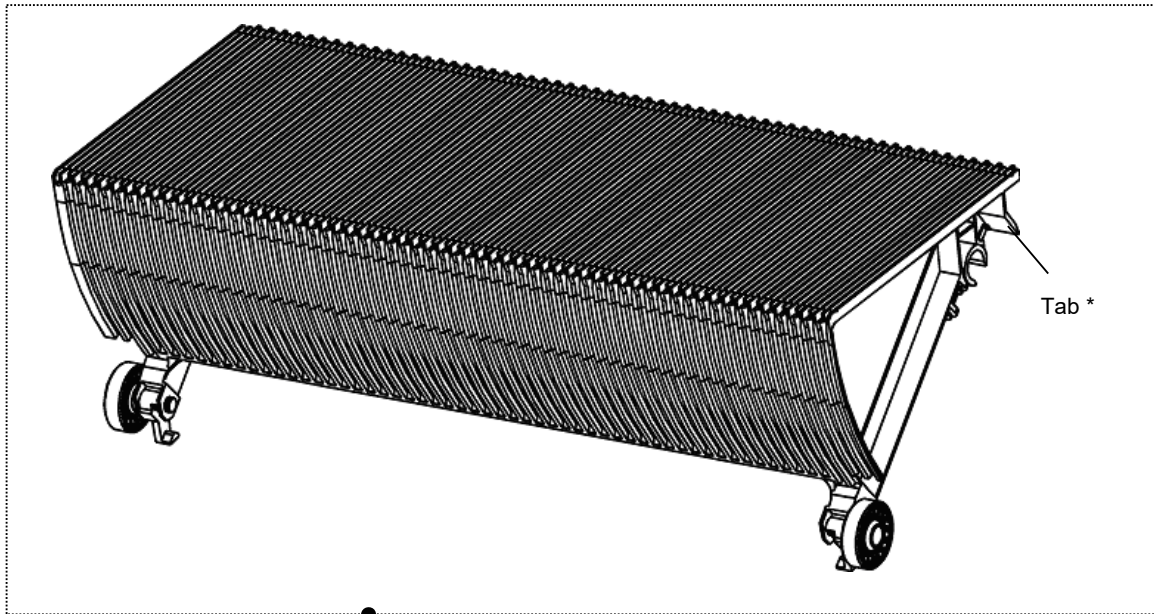
35° escalator, the tab must be cut before replacement.

GAA26140M				
REF. No.	PART No. OR M.L.	DESCRIPTION	Type	Located
84	GAA26140M145	Non-painted, with tread finished, 2 sides yellow inserts	1000	Indoor
85	GAA26140M147		800	
86	GAA26140M191		600	
87	GAA26140M146	Non-painted, with tread finished, 3 sides yellow inserts	1000	
88	GAA26140M148		800	
89	GAA26140M192		600	

Escalator Step

53-GAA26140M

WITHOUT INDEX PIN



90-92

*Note: For LINK_ANSI escalator, step tab must be cut before replacement. Please refer to cut method on page 45 for installation.

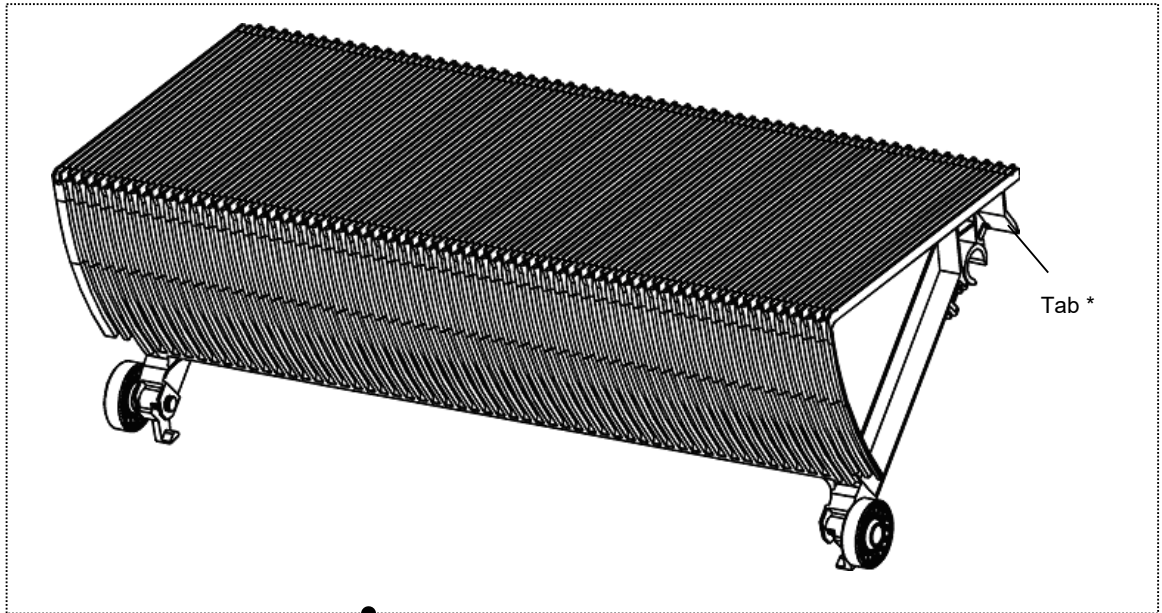
35° escalator, the tab must be cut before replacement.

GAA26140M				
REF. No.	PART No. OR M.L.	DESCRIPTION	Type	Located
90	GAA26140M133	Grey, without tread finished, visible area coated, 3 sides yellow inserts	1000	Indoor
91	GAA26140M135		800	
92	GAA26140M200		600	

Escalator Step

53-GAA26140M

WITHOUT INDEX PIN



93-98

*Note: For LINK_ANSI escalator, step tab must be cut before replacement. Please refer to cut method on page 45 for installation.

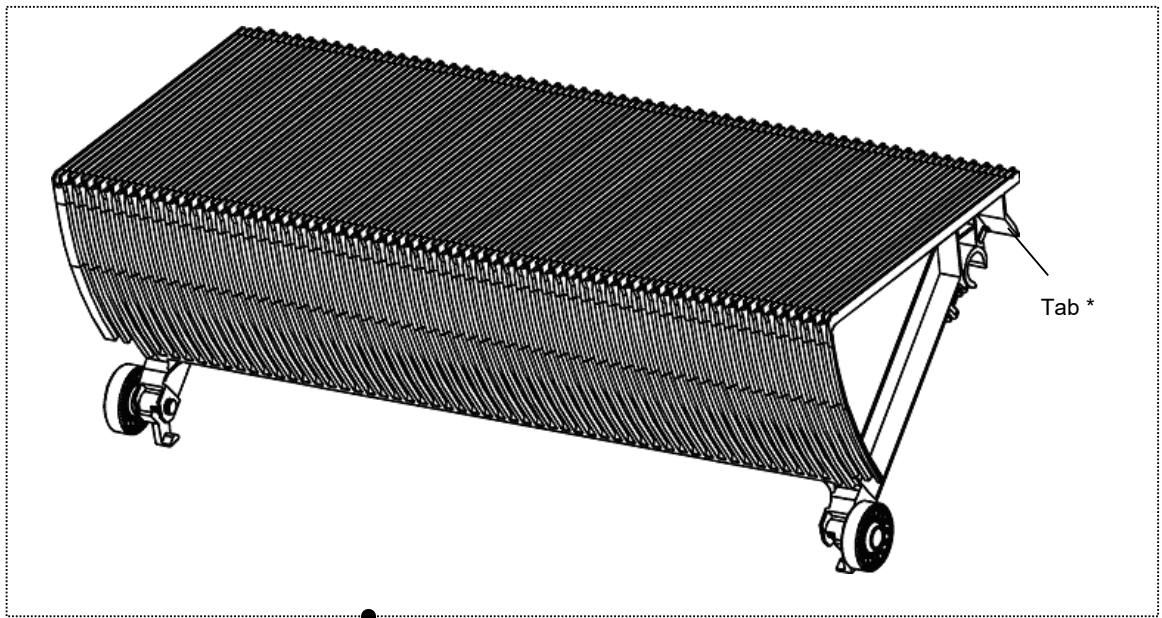
35° escalator, the tab must be cut before replacement.

REF. No.	GAA26140M PART No. OR M.L.	DESCRIPTION	Type	Located	
93	GAA26140M41	Grey, with tread finished, 3 sides yellow inserts	1000	Indoor	
	GAA26140M57		800		
94	GAA26140M42		800		
	GAA26140M58				
95	GAA26140M175		600		
96	GAA26140M43		Black, with tread finished, 3 sides yellow Inserts		1000
	GAA26140M59				800
97	GAA26140M44				800
	GAA26140M60				
98	GAA26140M176	600			

Escalator Step

53-GAA26140M

WITHOUT INDEX PIN



99-104

*Note: For LINK_ANSI escalator, step tab must be cut before replacement. Please refer to cut method on page 45 for installation.

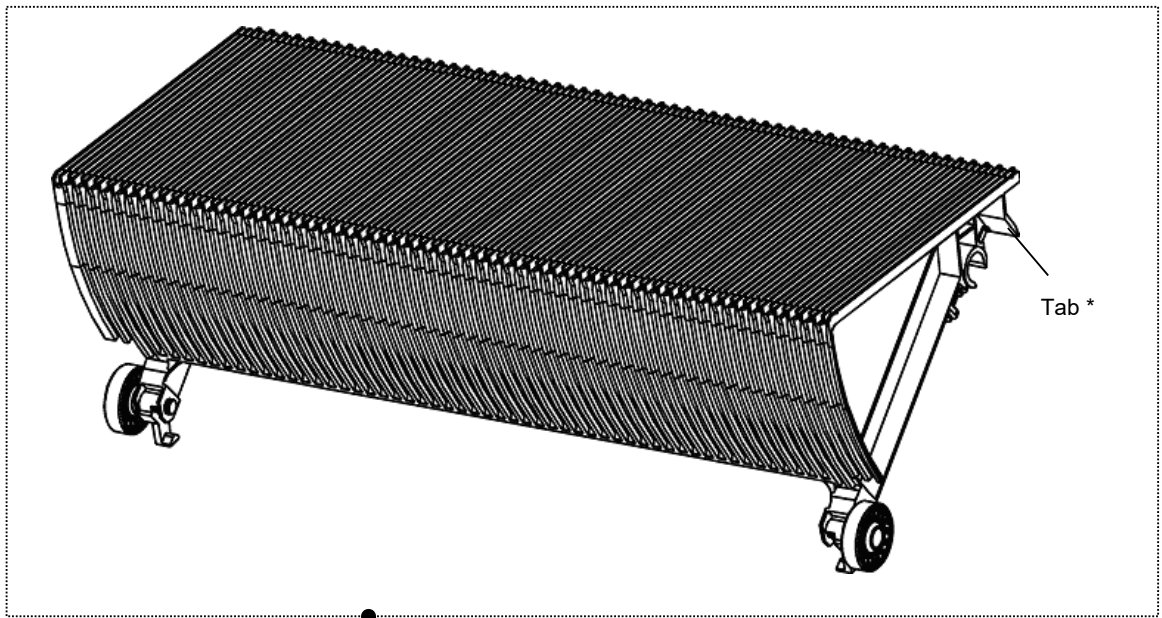
35° escalator, the tab must be cut before replacement.

GAA26140M				
REF. No.	PART No. OR M.L.	DESCRIPTION	Type	Located
99	GAA26140M53		1000	Outdoor
	GAA26140M353			
100	GAA26140M54	Grey, with tread finished, 2 sides yellow inserts	800	
	GAA26140M354			
101	GAA26140M473		600	
102	GAA26140M55		1000	
	GAA26140M355			
103	GAA26140M56	Black, with tread finished, 2 sides yellow inserts	800	
	GAA26140M356			
104	GAA26140M474		600	

Escalator Step

53-GAA26140M









WITHOUT INDEX PIN



105-110

*Note: For LINK_ANSI escalator, step tab must be cut before replacement. Please refer to cut method on page 45 for installation.

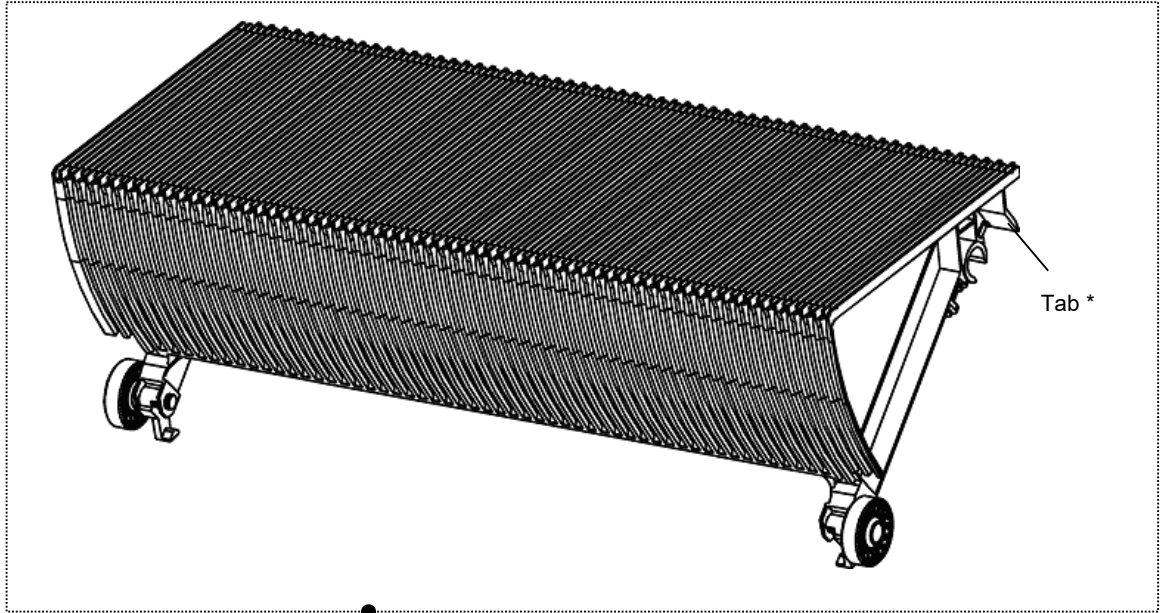
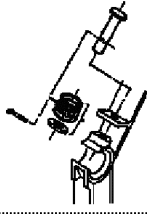
35° escalator, the tab must be cut before replacement.

GAA26140M					
REF. No.	PART No. OR M.L.	DESCRIPTION	Type	Located	
105	GAA26140M57 	Grey, with tread finished, 3 sides yellow inserts	1000	Outdoor	
	GAA26140M357 		800		
106	GAA26140M58 		600		
	GAA26140M358 		1000		
107	GAA26140M475		800		
108	GAA26140M59 		Black, with tread finished, 3 sides yellow inserts		800
	GAA26140M359 				600
109	GAA26140M60 				1000
	GAA26140M360 	800			
110	GAA26140M476	600			

Escalator Step

53-GAA26140M

WITH INDEX PIN



111-116

*Note: For LINK_ANSI escalator, step tab must be cut before replacement. Please refer to cut method on page 45 for installation.

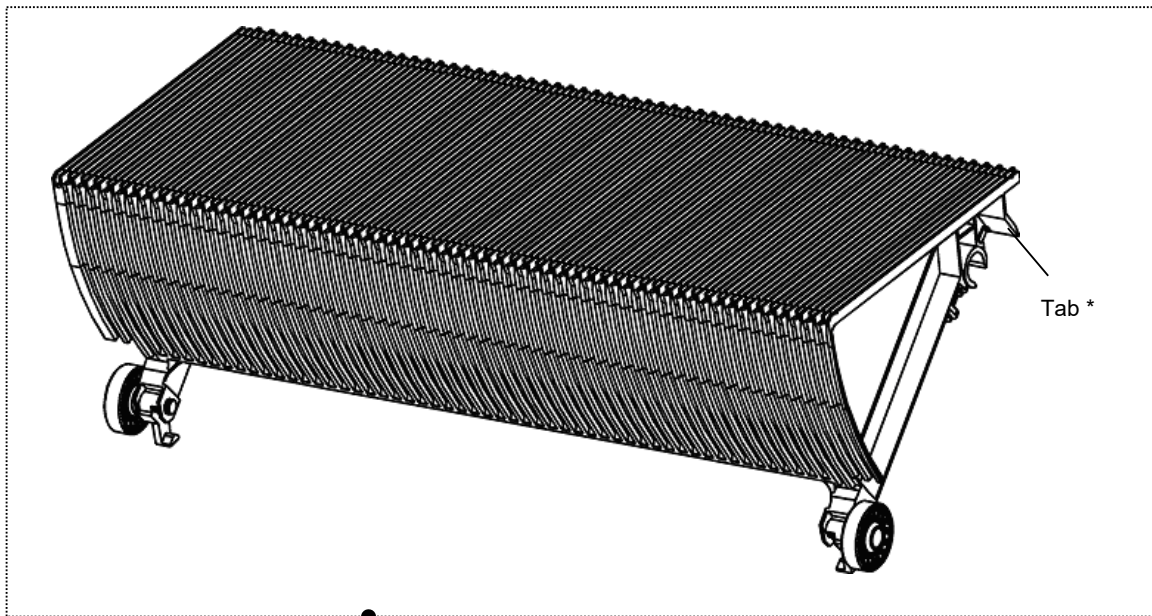
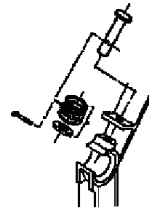
35° escalator, the tab must be cut before replacement.

GAA26140M				
REF. No.	PART No. OR M.L.	DESCRIPTION	Type	Located
111	GAA26140M93	Grey, without tread finished, visible area coated , 2 sides yellow coated demarcation	1000	Indoor
112	GAA26140M94		800	
113	GAA26140M193		600	
114	GAA26140M95	Grey, without tread finished, visible area coated , 3 sides yellow coated demarcation	1000	
115	GAA26140M96		800	
116	GAA26140M194		600	

Escalator Step

53-GAA26140M

WITH INDEX PIN



117-122

*Note: For LINK_ANSI escalator, step tab must be cut before replacement. Please refer to cut method on page 45 for installation.

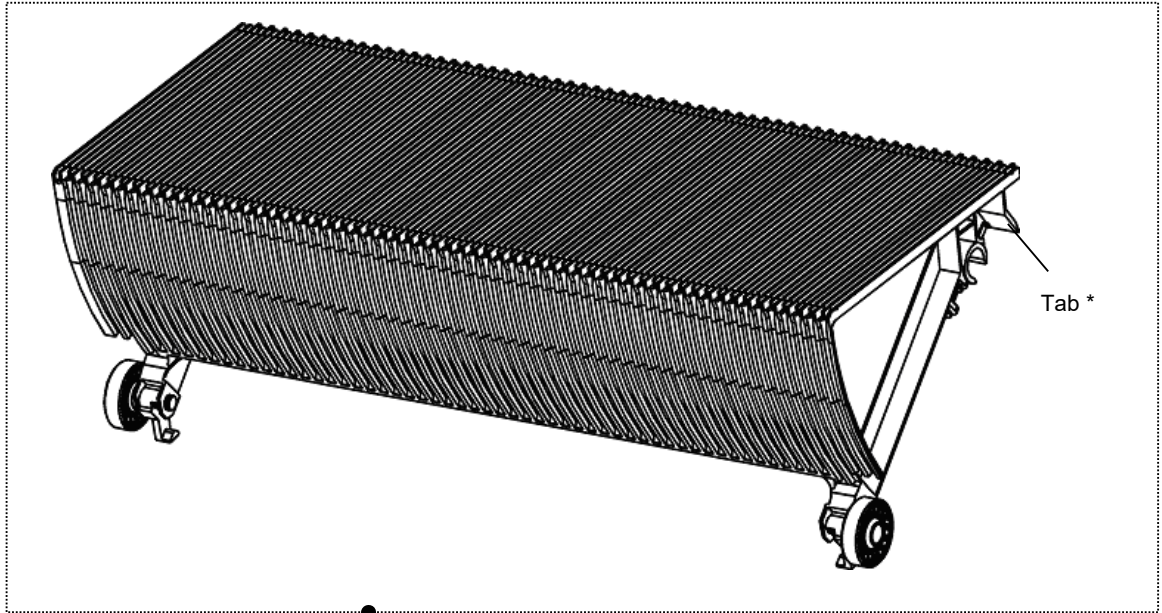
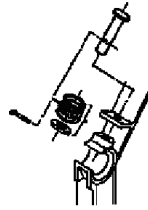
35° escalator, the tab must be cut before replacement.

REF. No.	GAA26140M PART No. OR M.L.	DESCRIPTION	Type	Located
117	GAA26140M61		1000	Indoor
	GAA26140M77			
118	GAA26140M62	Grey, with tread finished, 2 sides yellow coated demarcation	800	
	GAA26140M78			
119	GAA26140M177		600	
120	GAA26140M63		1000	
	GAA26140M79			
121	GAA26140M64	Black, with tread finished, 2 sides yellow coated demarcation	800	
	GAA26140M80			
122	GAA26140M178		600	

Escalator Step

53-GAA26140M

WITH INDEX PIN



123-128

*Note: For LINK_ANSI escalator, step tab must be cut before replacement. Please refer to cut method on page 45 for installation.

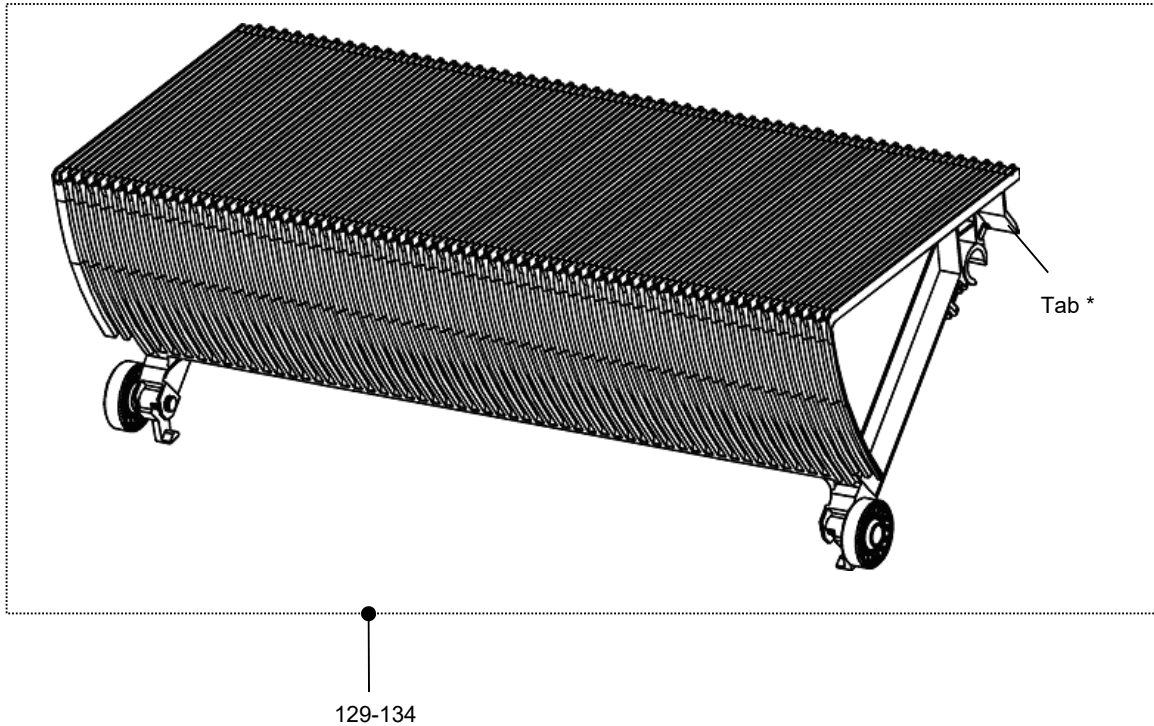
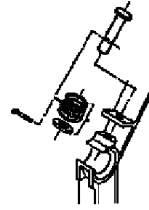
35° escalator, the tab must be cut before replacement.

GAA26140M				
REF. No.	PART No. OR M.L.	DESCRIPTION	Type	Located
123	GAA26140M101	Without coated, with tread finished, 2 sides yellow coated demarcation	1000	Indoor
124	GAA26140M102		800	
125	GAA26140M185		600	
126	GAA26140M103	Without coated, with tread finished, 3 sides yellow coated demarcation	1000	
127	GAA26140M104		800	
128	GAA26140M186		600	

Escalator Step

53-GAA26140M

WITH INDEX PIN



*Note: For LINK_ANSI escalator, step tab must be cut before replacement. Please refer to cut method on page 45 for installation.

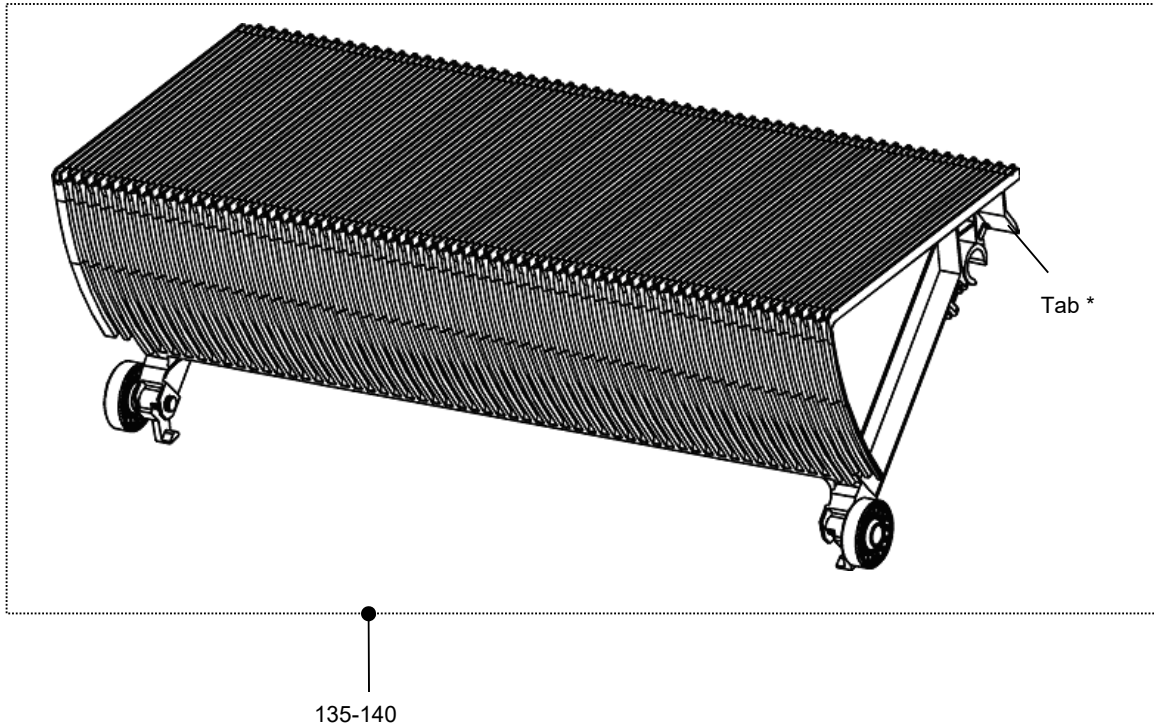
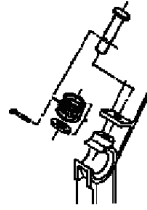
35° escalator, the tab must be cut before replacement.

GAA26140M				
REF. No.	PART No. OR M.L.	DESCRIPTION	Type	Located
129	GAA26140M65		1000	Indoor
	GAA26140M81			
130	GAA26140M66	Grey, with tread lished, 3 sides yellow coated demarcation	800	
	GAA26140M82			
131	GAA26140M179		600	
132	GAA26140M67		1000	
	GAA26140M83			
133	GAA26140M68	Black, with tread lished, 3 sides yellow coated demarcation	800	
	GAA26140M84			
134	GAA26140M180		600	

Escalator Step

53-GAA26140M

WITH INDEX PIN



*Note: For LINK_ANSI escalator, step tab must be cut before replacement. Please refer to cut method on page 45 for installation.

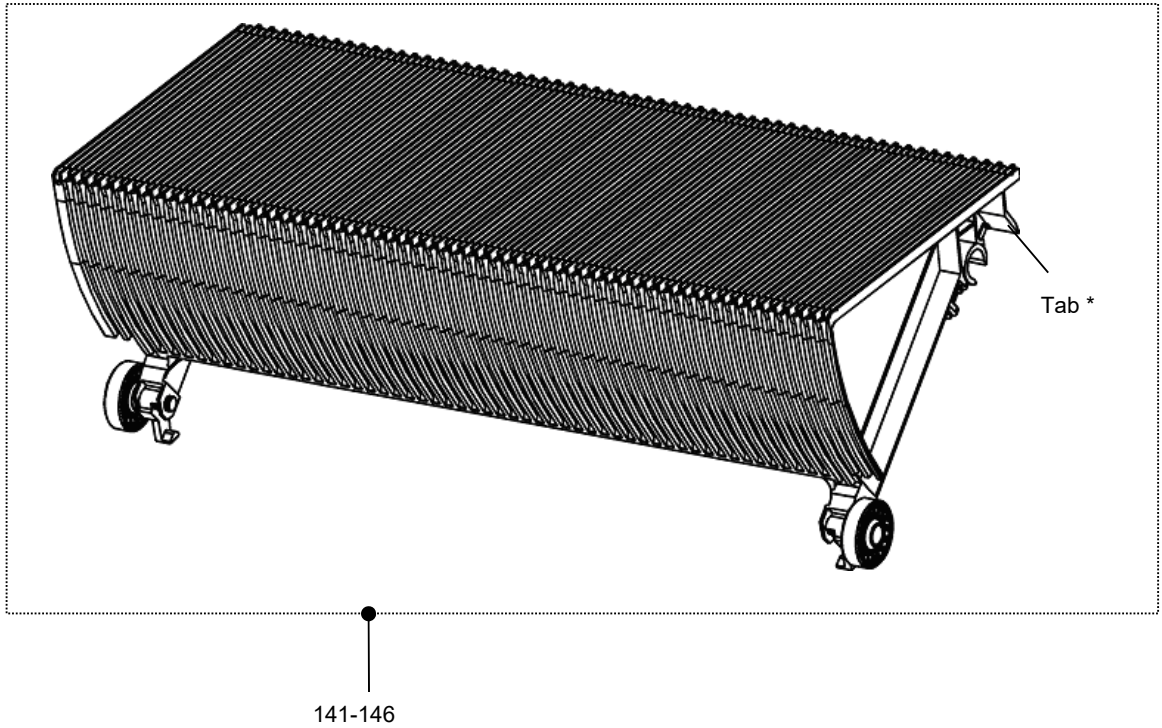
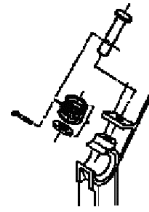
35° escalator, the tab must be cut before replacement.

REF. No.	GAA26140M PART No. OR M.L.	DESCRIPTION	Type	Located
135	GAA26140M77	Grey, with tread finished, 2 sides yellow coated demarcation	1000	Outdoor
	GAA26140M377		800	
136	GAA26140M78	Black, with tread finished, 2 sides yellow coated demarcation	600	
	GAA26140M378		1000	
137	GAA26140M477		800	
138	GAA26140M79		600	
	GAA26140M379		1000	
139	GAA26140M80		800	
	GAA26140M380		600	
140	GAA26140M478			

Escalator Step

53-GAA26140M

WITH INDEX PIN



*Note: For LINK_ANSI escalator, step tab must be cut before replacement. Please refer to cut method on page 45 for installation.

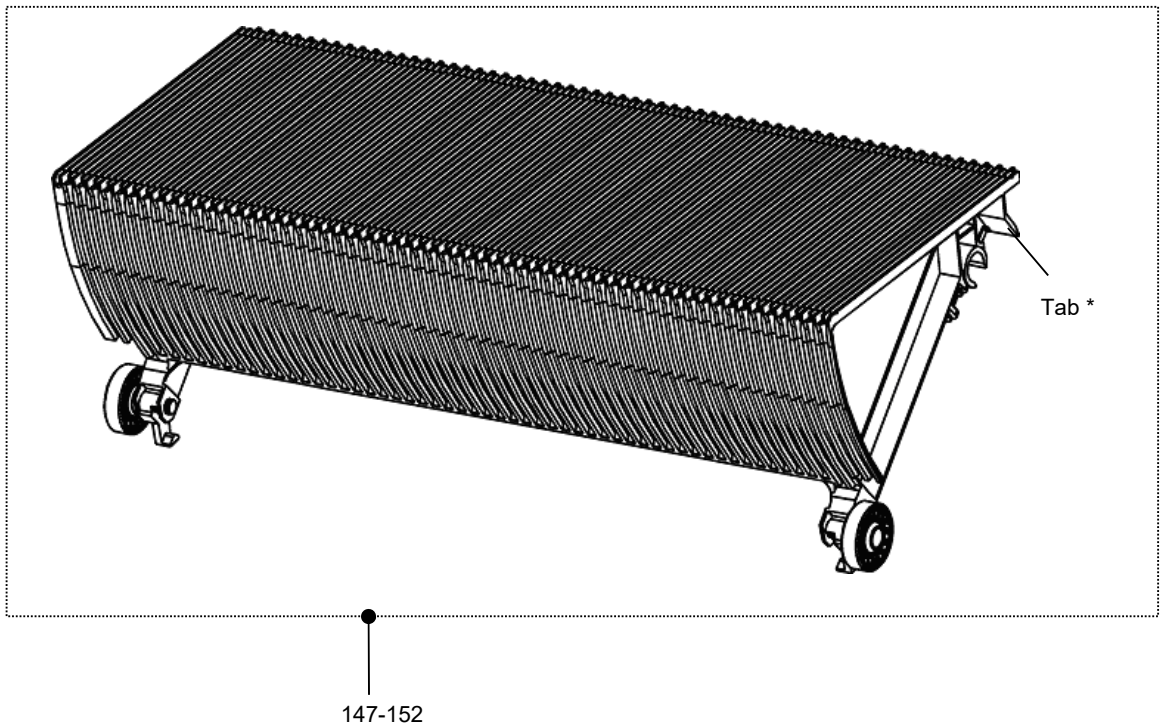
35° escalator, the tab must be cut before replacement.

REF. No.	GAA26140M PART No. OR M.L.	DESCRIPTION	Type	Located
141	GAA26140M81	Grey, with tread finished, 3 sides yellow coated demarcation	1000	Outdoor
	GAA26140M381		800	
142	GAA26140M82	Black, with tread finished, 3 sides yellow coated demarcation	600	
	GAA26140M382		1000	
143	GAA26140M479		800	
144	GAA26140M83		600	
	GAA26140M383		1000	
145	GAA26140M84		800	
	GAA26140M384		600	
146	GAA26140M480			

Escalator Step

53-GAA26140M

WITHOUT INDEX PIN



*Note: For LINK_ANSI escalator, step tab must be cut before replacement. Please refer to cut method on page 45 for installation.

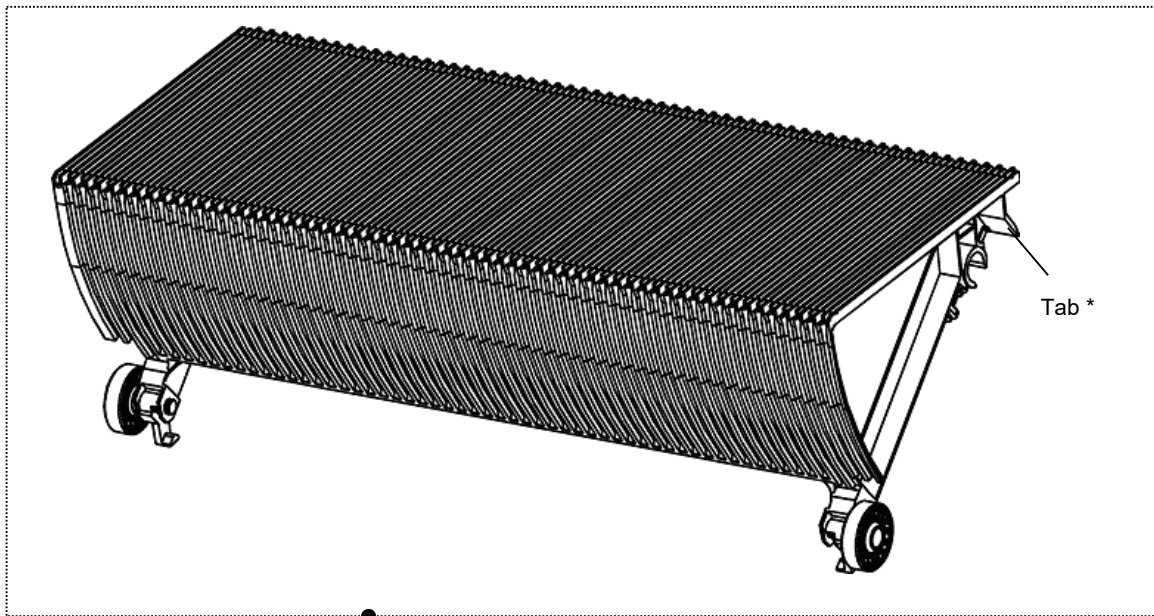
35° escalator, the tab must be cut before replacement.

GAA26140M					
REF. No.	PART No. OR M.L.	DESCRIPTION	Type	Located	
147	GAA26140M69	Grey, with tread finished, 2 sides yellow coated demarcation	1000	Indoor	
	GAA26140M85				
148	GAA26140M70		800		
	GAA26140M86				
149	GAA26140M181		600		
150	GAA26140M71		1000		
	GAA26140M87				
151	GAA26140M72		Black, with tread finished, 2 sides yellow coated demarcation		800
	GAA26140M88				
152	GAA26140M182		600		

Escalator Step

53-GAA26140M

WITHOUT INDEX PIN



153-158

*Note: For LINK_ANSI escalator, step tab must be cut before replacement. Please refer to cut method on page 45 for installation.

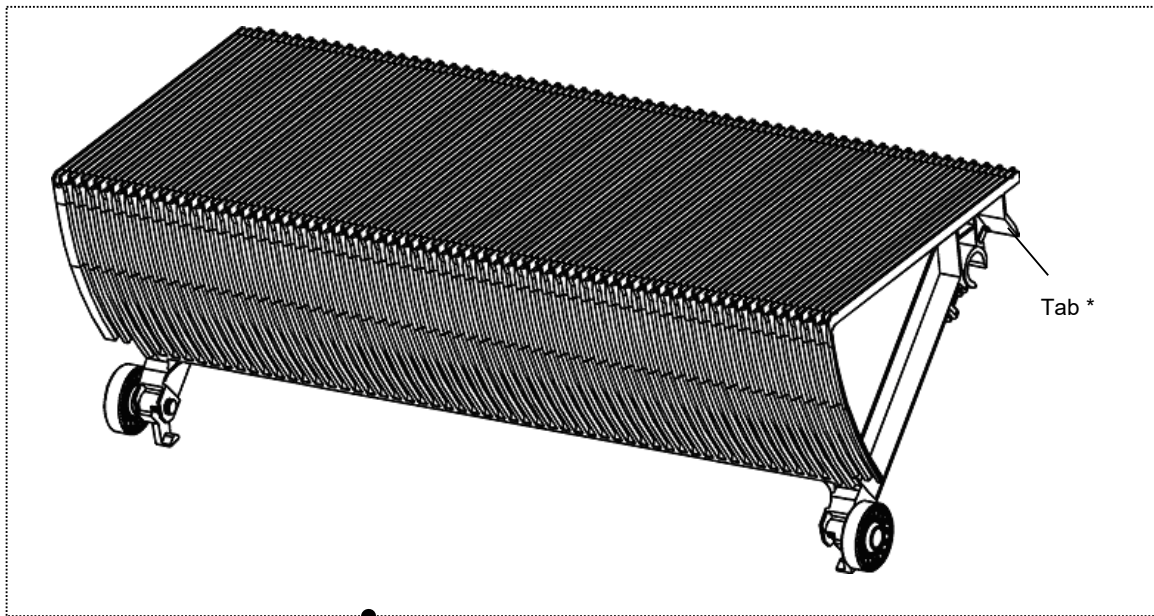
35° escalator, the tab must be cut before replacement.

GAA26140M				
REF. No.	PART No. OR M.L.	DESCRIPTION	Type	Located
153	GAA26140M137	Grey, without tread finished, visible area coated , 2 sides yellow coated demarcation	1000	Indoor
154	GAA26140M139		800	
155	GAA26140M197		600	
156	GAA26140M141	Grey, without tread finished, visible area coated , 3 sides yellow coated demarcation	1000	
157	GAA26140M143		800	
158	GAA26140M198		600	

Escalator Step

53-GAA26140M

WITHOUT INDEX PIN



159-164

*Note: For LINK_ANSI escalator, step tab must be cut before replacement. Please refer to cut method on page 45 for installation.

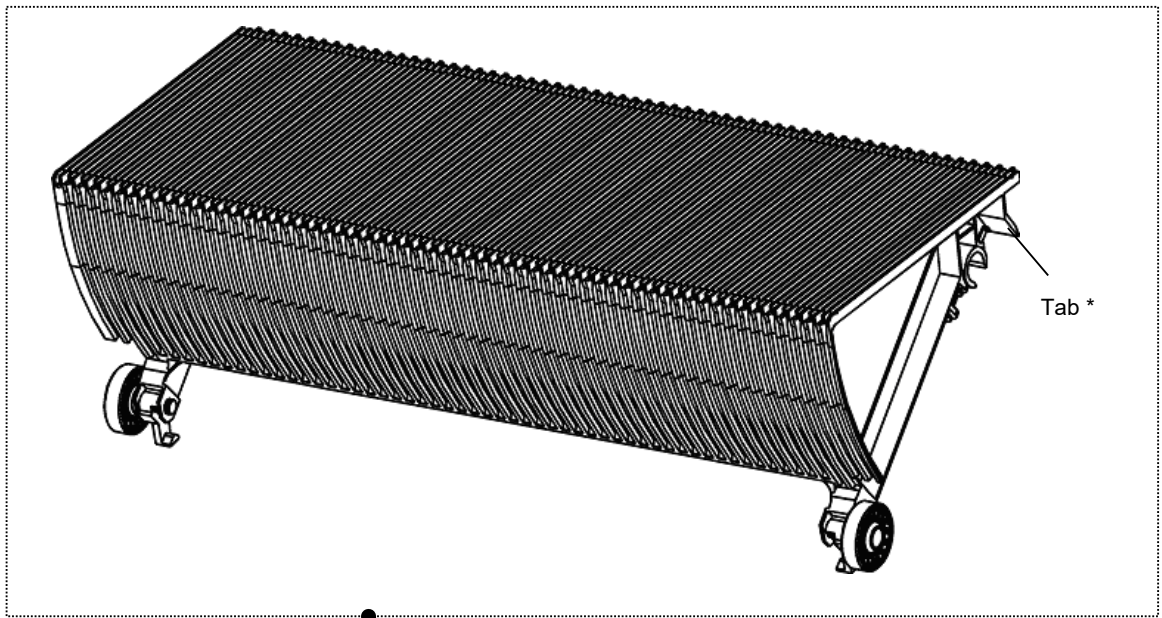
35° escalator, the tab must be cut before replacement.

GAA26140M				
REF. No.	PART No. OR M.L.	DESCRIPTION	Type	Located
159	GAA26140M149	Non-painted, with tread finished, 2 sides yellow coated demarcation	1000	Indoor
160	GAA26140M150		800	
161	GAA26140M189		600	
162	GAA26140M151	Non-painted, with tread finished, 3 sides yellow coated demarcation	1000	
163	GAA26140M152		800	
164	GAA26140M190		600	

Escalator Step

53-GAA26140M

WITHOUT INDEX PIN



165-170

*Note: For LINK_ANSI escalator, step tab must be cut before replacement. Please refer to cut method on page 45 for installation.

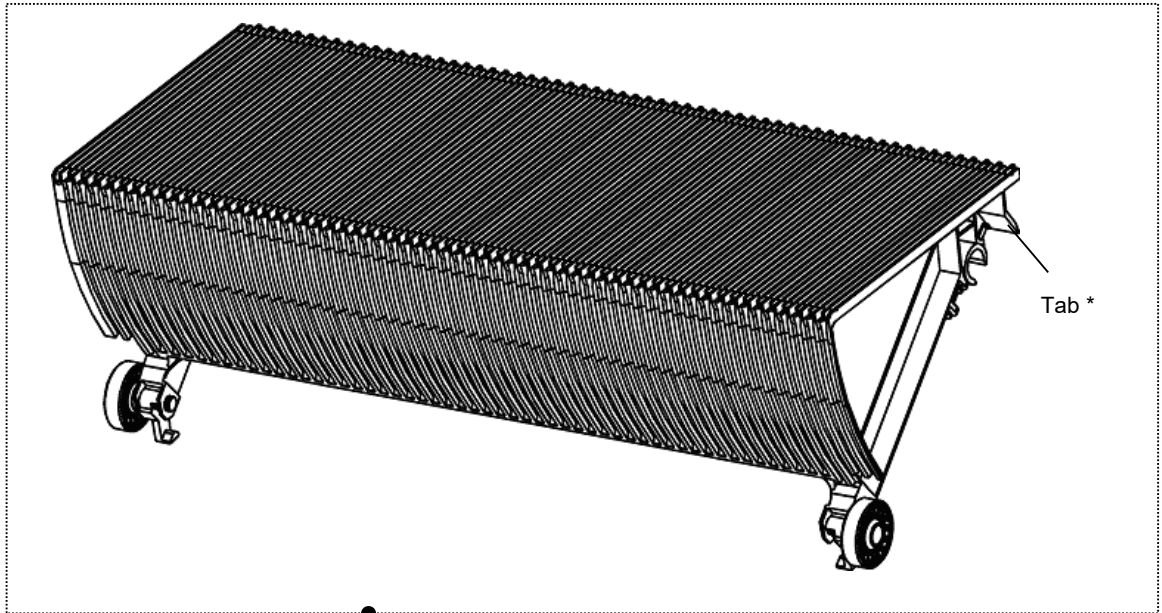
35° escalator, the tab must be cut before replacement.

GAA26140M					
REF. No.	PART No. OR M.L.	DESCRIPTION	Type	Located	
165	GAA26140M73	Grey, with tread finished, 3 sides yellow coated demarcation	1000	Indoor	
	GAA26140M89				
166	GAA26140M74		800		
	GAA26140M90				
167	GAA26140M183		600		
168	GAA26140M75		Black, with tread finished, 3 sides yellow coated demarcation		1000
	GAA26140M91				
169	GAA26140M76				800
	GAA26140M92				
170	GAA26140M184				600

Escalator Step

53-GAA26140M

WITHOUT INDEX PIN



171-176

*Note: For LINK_ANSI escalator, step tab must be cut before replacement. Please refer to cut method on page 45 for installation.

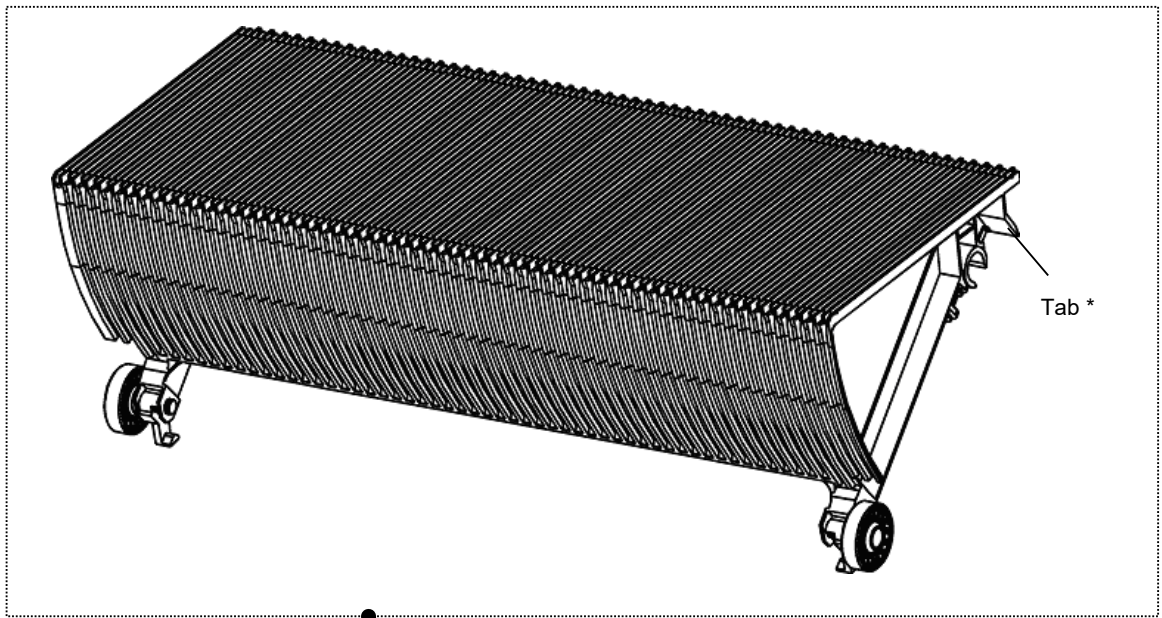
35° escalator, the tab must be cut before replacement.

GAA26140M				
REF. No.	PART No. OR M.L.	DESCRIPTION	Type	Located
171	GAA26140M85		1000	Outdoor
	GAA26140M385			
172	GAA26140M86	Grey, with tread finished, 2 sides yellow coated demarcation	800	
	GAA26140M386			
173	GAA26140M481		600	
174	GAA26140M87		1000	
	GAA26140M387			
175	GAA26140M88	Black, with tread finished, 2 sides yellow coated demarcation	800	
	GAA26140M388			
176	GAA26140M482		600	

Escalator Step

53-GAA26140M

WITHOUT INDEX PIN



177-182

*Note: For LINK_ANSI escalator, step tab must be cut before replacement. Please refer to cut method on page 45 for installation.

35° escalator, the tab must be cut before replacement.

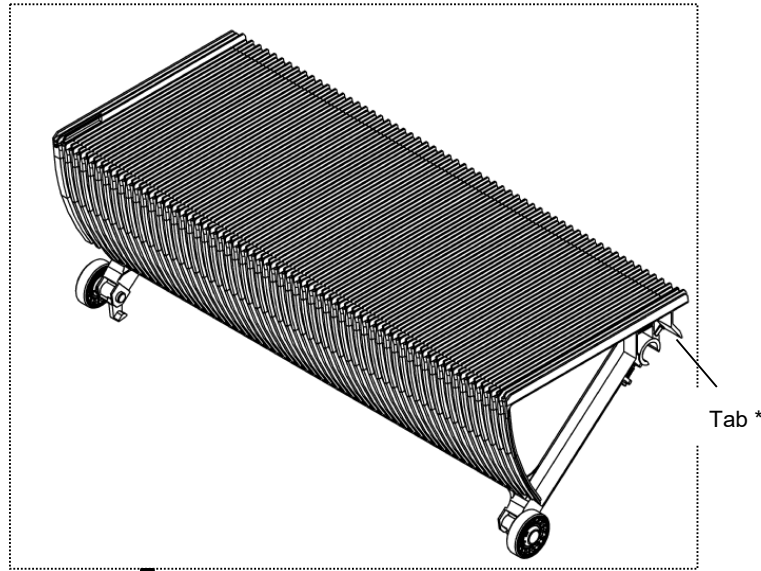
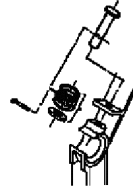
GAA26140M				
REF. No.	PART No. OR M.L.	DESCRIPTION	Type	Located
177	GAA26140M89		1000	Outdoor
	GAA26140M389			
178	GAA26140M90	Grey, with tread finished, 3 sides yellow coated demarcation	800	
	GAA26140M390			
179	GAA26140M483		600	
180	GAA26140M91		1000	
	GAA26140M391			
181	GAA26140M92	Black, with tread finished, 3 sides yellow coated demarcation	800	
	GAA26140M392			
182	GAA26140M484		600	

Escalator Step

53-GAA26140M

FOR JIS CODE ONLY

WITH INDEX PIN



183-191

*Note: 35° escalator, the tab must be cut before replacement.

Please refer to cut method on page 45 for installation.

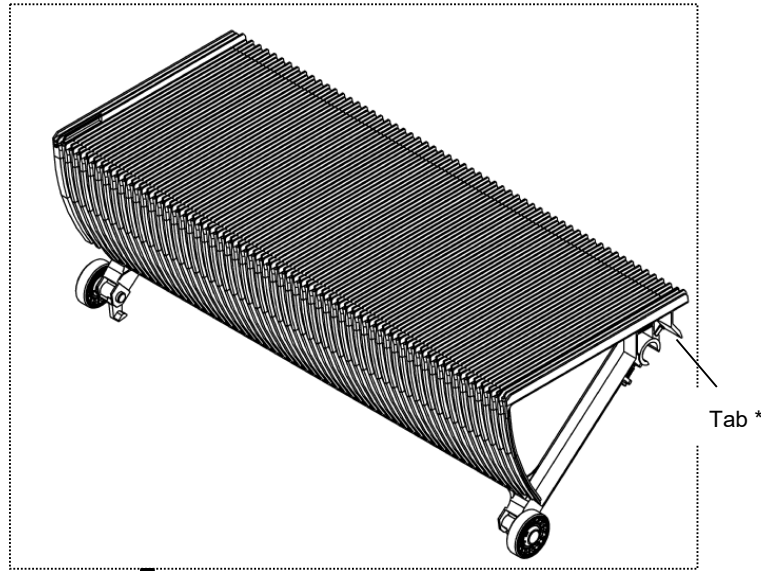
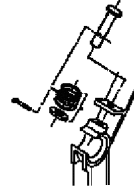
GAA26140M						
REF. No.	PART No. OR M.L.	DESCRIPTION	Type	Located		
183	GAA26140M117	Black, with tread finished, visible area coated , 2 sides yellow inserts	1000	Indoor		
	GAA26140M111		800			
184	GAA26140M118		Black, with tread finished, visible area coated , 3 sides yellow inserts		800	
	GAA26140M112				600	
185	GAA26140M201				600	
186	GAA26140M119		Grey, with tread finished, visible area coated , 3 sides yellow inserts		1000	
	GAA26140M113				800	
187	GAA26140M120				Black, with tread finished, visible area coated , 3 sides yellow inserts	800
	GAA26140M114					600
188	GAA26140M203					600
189	GAA26140M121	Grey, with tread finished, visible area coated , 3 sides yellow inserts		1000		
	GAA26140M115			800		
190	GAA26140M122			Black, with tread finished, visible area coated , 3 sides yellow inserts	800	
	GAA26140M116				600	
191	GAA26140M202				600	

Escalator Step

53-GAA26140M

FOR JIS CODE ONLY

WITH INDEX PIN



192-200

*Note: 35° escalator, the tab must be cut before replacement.

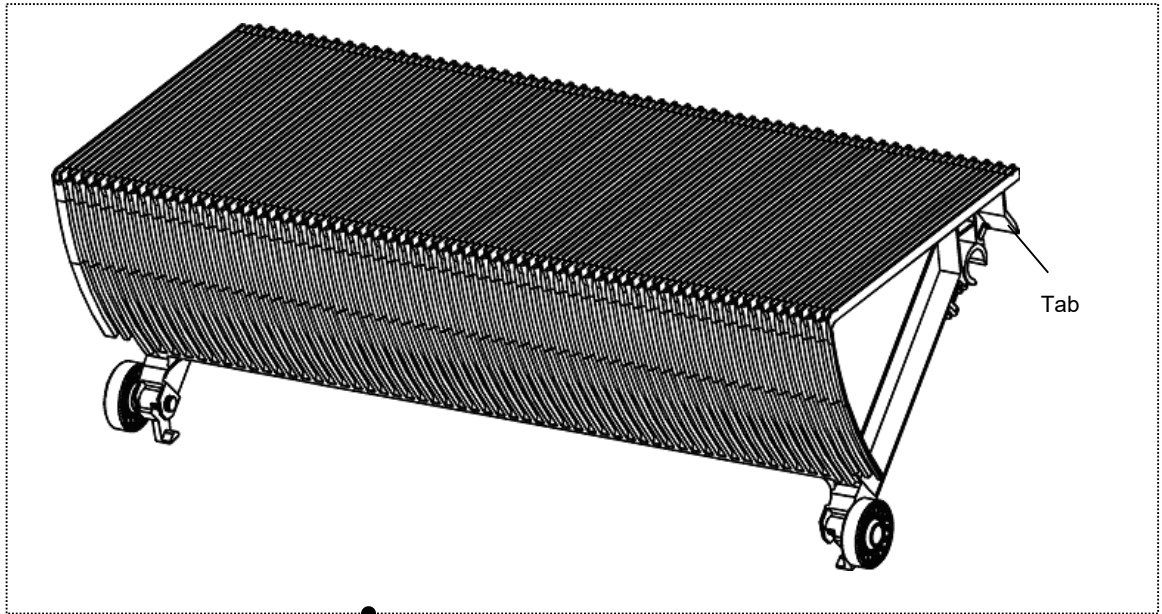
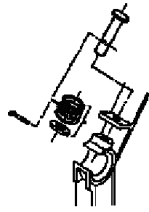
Please refer to cut method on page 45 for installation

GAA26140M				
REF. No.	PART No. OR M.L.	DESCRIPTION	Type	Located
192	GAA26140M111		1000	Outdoor
	GAA26140M411			
193	GAA26140M112	Black, with tread finished, complete coated , 2 sides yellow inserts	800	
	GAA26140M412			
194	GAA26140M501		600	
195	GAA26140M113		1000	
	GAA26140M413			
196	GAA26140M114	Black, with tread finished, complete coated , 3 sides yellow inserts	800	
	GAA26140M414			
197	GAA26140M503		600	
198	GAA26140M115		1000	
	GAA26140M415			
199	GAA26140M116	Grey, with tread finished, complete coated , 3 sides yellow inserts	800	
	GAA26140M416			
200	GAA26140M502		600	

Escalator Step

53-GAA26140M

WITH INDEX PIN

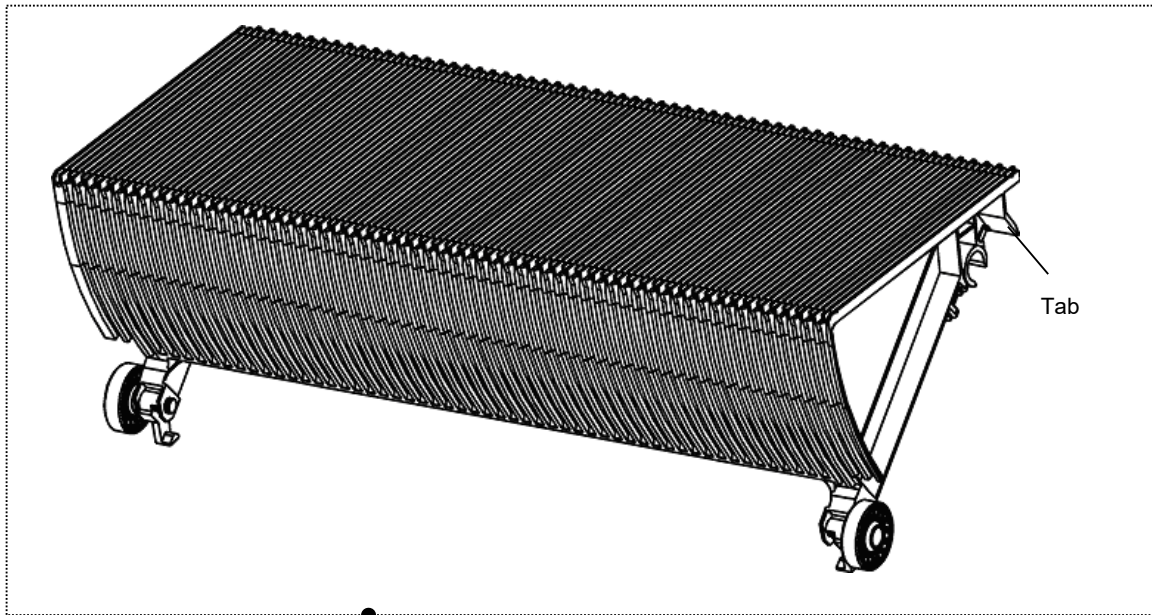
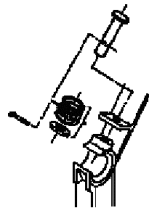


GAA26140M				
REF. No.	PART No. OR M.L.	DESCRIPTION	Type	Located
	GAA26140M110	Grey, without tread finished, complete coated, 3-sides yellow inserts	4000	Outdoor
	GAA26140M128		800	

Escalator Step

53-GAA26140M

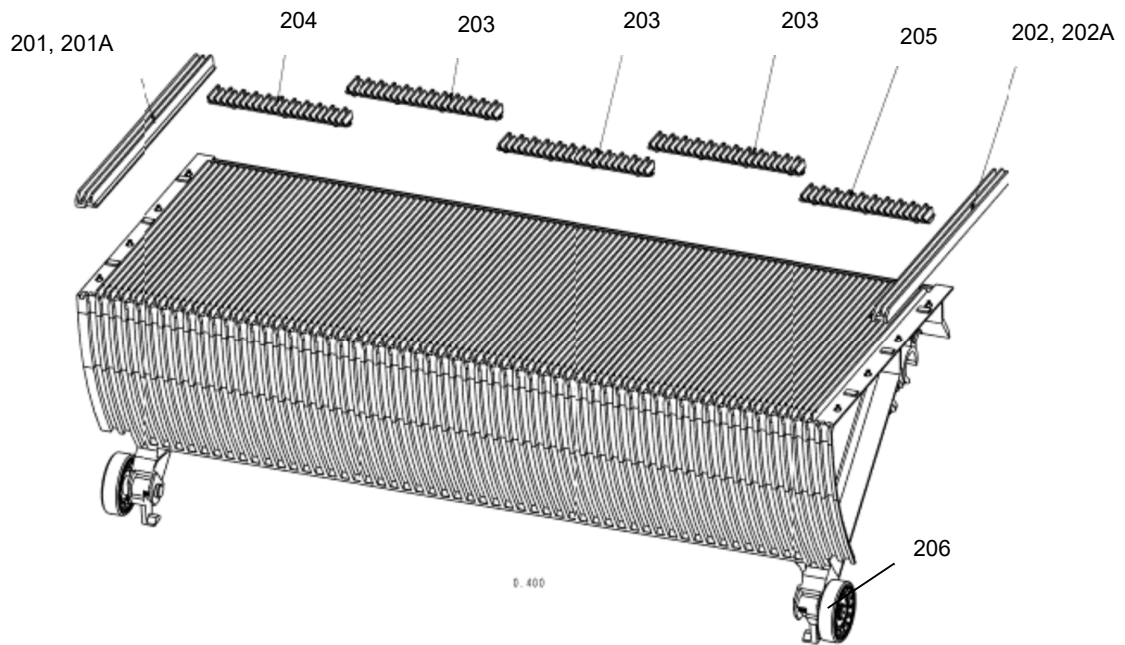
WITH INDEX PIN



GAA26140M				
REF. No.	PART No. OR M.L.	DESCRIPTION	Type	Located
	GAA26140M97	Grey, without tread finished, complete coated, 2-sides yellow coated	1000	Outdoor
	GAA26140M98		800	
	GAA26140M99	Grey, without tread finished, complete coated, 3-sides yellow coated	1000	
	GAA26140M100		800	

Escalator Step

53-GAA26140M

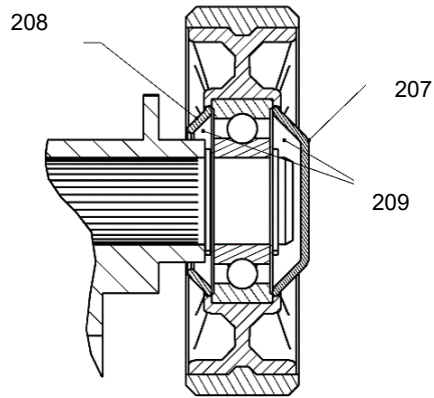


*FOR JIS CODE, THE STEP WITH GAA455BW1 / GAA455BW2 SHALL STILL ORDER GAA455BW1 /GAA455BW2 FOR REPLACEMENT.

GAA26140M		
REF. No.	PART No. OR M.L.	DESCRIPTION
201	GAA455BW1* ↷	Yellow insert
201A	GAA455BW3 ↷	Yellow insert
202	GAA455BW2* ↷	Yellow insert
202A	GAA455BW4 ↷	Yellow insert
203	GAA455BX1	Yellow insert
204	GAA455BX2	Yellow insert
205	GAA455BX3	Yellow insert
206	GAA290CF2	Roller

Escalator Step

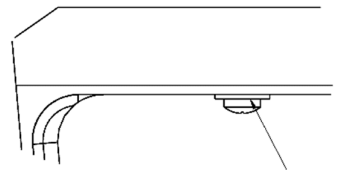
53-GAA26140M



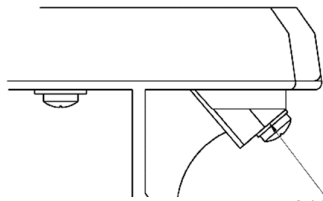
GAA26140M		
REF. No.	PART No. OR M.L.	DESCRIPTION
207	GAA273WZ1	Cover, outside
208	GAA273WZ2	Cover, inside
209	OTIS NO.12	Grease

Escalator Step

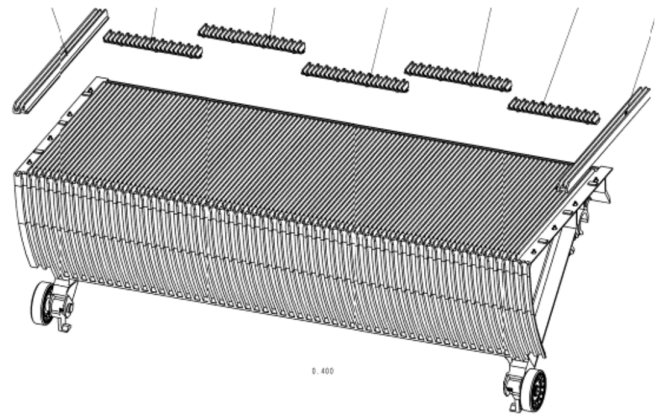
53-GAA26140M



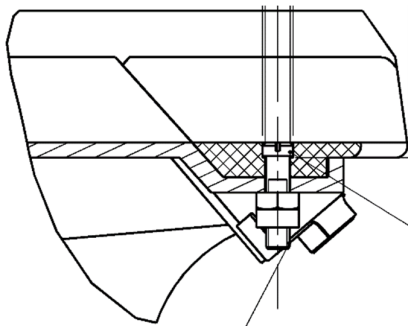
210/211



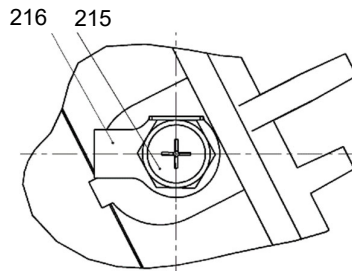
210/212



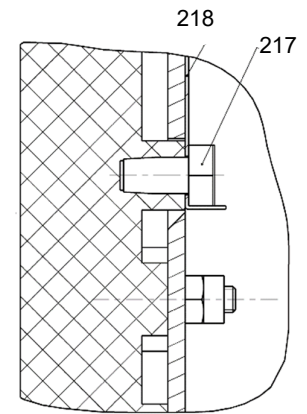
8-600



213/214



216 215



218

217

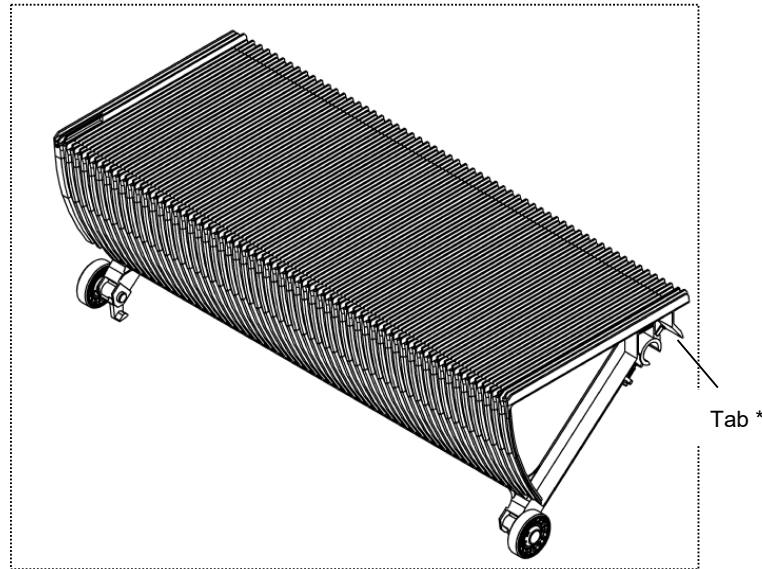
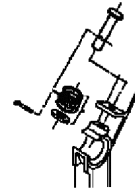
GAA26140M			
REF. No.	PART No. OR M.L.	DESCRIPTION	
210	GB/T13806.2/ST4.2X8-ZN	SCREW	
211	ISO7093-M4-140HV-Z	WASHER	
212	ISO7089-M4-140HV-Z	WASHER	
213	DIN920M3x12-A2-70	SLOT. PAN HEAD SCREW	JIS ONLY
214	ISO7040M3-6NF-Z	HEX. NUT	
215	GB/T9456-FST4.2X9.5-Z	TAPPING SCREW	
216	DIN463-M4-300HV	LOCK WASHER	
217	GB/T9456-FST4.2X8-Z	TAPPING SCREW	
218	DAA255CA1	SHIM	

Escalator Step

53-GAA26140M

**FOR JIS CODE
From Dec. 2015**

WITH INDEX PIN



219-227

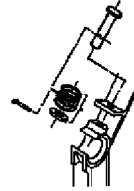
*Note: 35° escalator, the tab must be cut before replacement.
Please refer to cut method on page 45 for installation

GAA26140M				
REF. No.	PART No. OR M.L.	DESCRIPTION	Type	Located
219	GAA26140M567	Black, with tread finished, 2 sides yellow inserts	1000	Indoor
220	GAA26140M568		800	
221	GAA26140M569		600	
222	GAA26140M587	Black, with tread finished, 3 sides yellow inserts	1000	
223	GAA26140M588		800	
224	GAA26140M589		600	
225	GAA26140M584	Grey, with tread finished, 3 sides yellow inserts	1000	
226	GAA26140M585		800	
227	GAA26140M586		600	

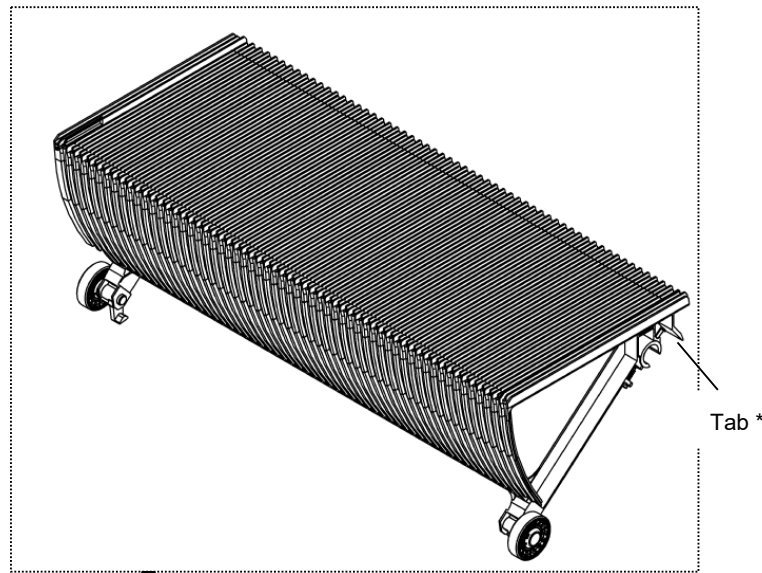
Escalator Step

53-GAA26140M

**FOR JIS CODE
From Dec. 2015**



WITH INDEX PIN

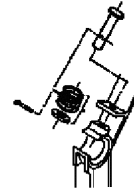


228-236

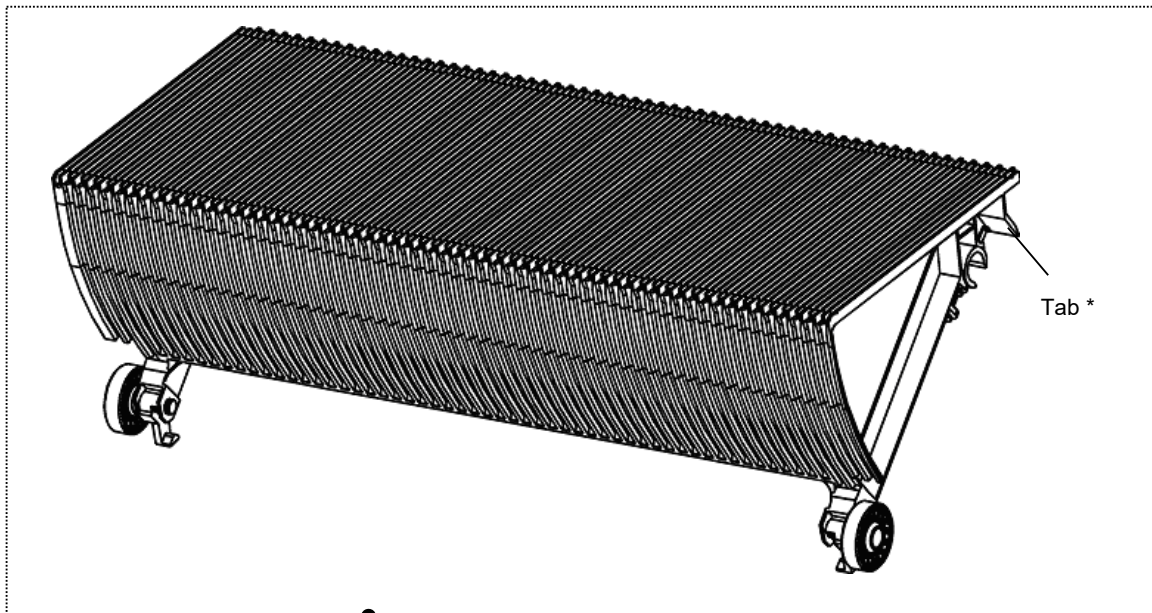
*Note: 35° escalator, the tab must be cut before replacement.
Please refer to cut method on page 45 for installation

GAA26140M				
REF. No.	PART No. OR M.L.	DESCRIPTION	Type	Located
228	GAA26140M667	Black, with tread finished, 2 sides yellow inserts	1000	Outdoor
229	GAA26140M668		800	
230	GAA26140M669		600	
231	GAA26140M687	Black, with tread finished, 3 sides yellow inserts	1000	
232	GAA26140M688		800	
233	GAA26140M689		600	
234	GAA26140M684	Grey, with tread finished, 3 sides yellow inserts	1000	
235	GAA26140M685		800	
236	GAA26140M686		600	

STEP WITH DAMPING MATERIAL



WITH INDEX PIN



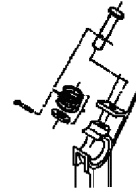
237-242

*Note: For LINK_ANSI escalator, step tab must be cut before replacement. Please refer to cut method on page 45 for installation.

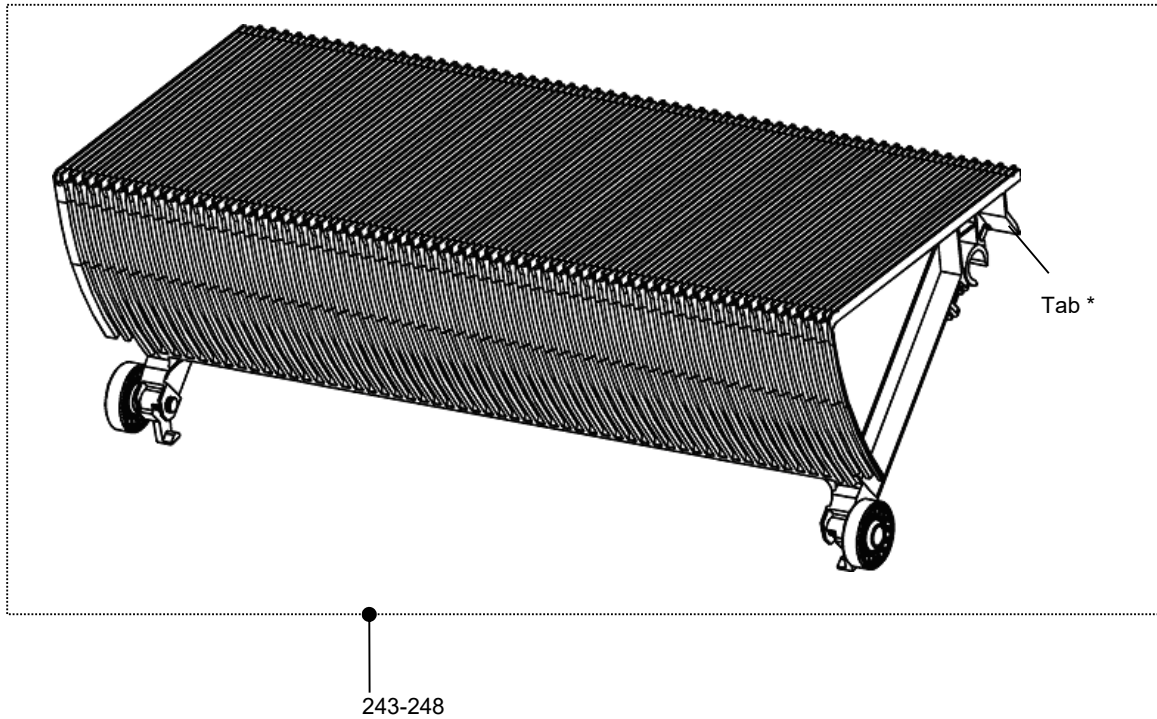
35° escalator, the tab must be cut before replacement.

GAA26140M				
REF. No.	PART No. OR M.L.	DESCRIPTION	Type	Located
237	GAA26140M617	Black, with tread finished, 3 sides yellow inserts, with damping material	1000	Indoor
238	GAA26140M618		800	
239	GAA26140M619		600	
240	GAA26140M620	Grey, with tread finished, 3 sides yellow inserts, with damping material	1000	
241	GAA26140M621		800	
242	GAA26140M622		600	

STEP WITH DAMPING MATERIAL



WITH INDEX PIN

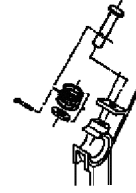


*Note: For LINK_ANSI escalator, step tab must be cut before replacement. Please refer to cut method on page 45 for installation.

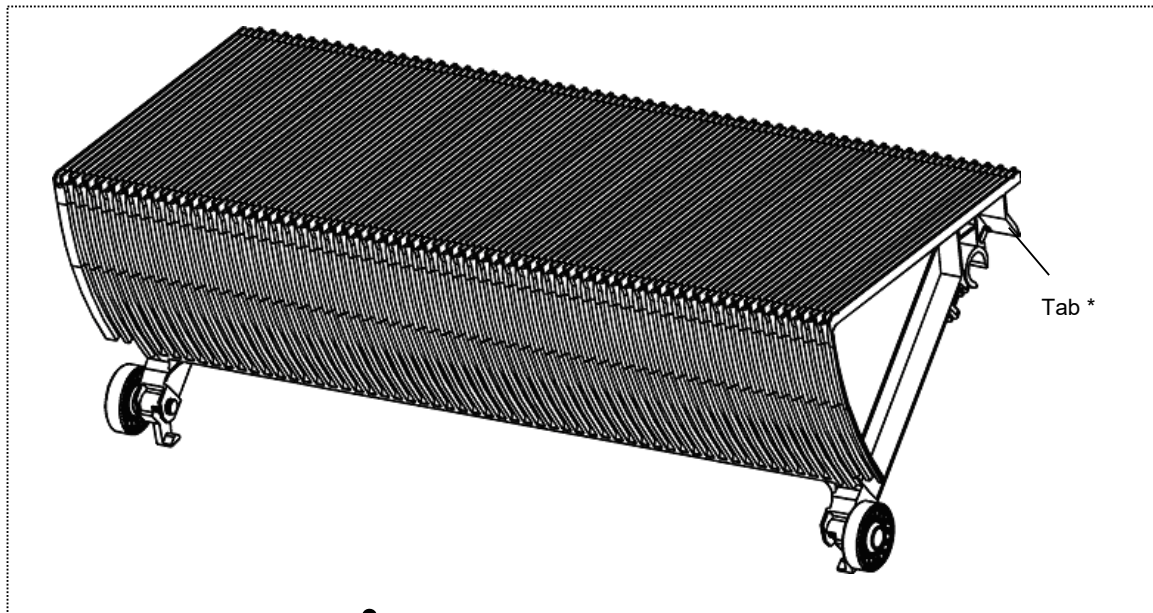
35° escalator, the tab must be cut before replacement.

GAA26140M				
REF. No.	PART No. OR M.L.	DESCRIPTION	Type	Located
243	GAA26140M623	Black, with tread finished, 3 sides yellow inserts, with damping material	1000	Outdoor
244	GAA26140M624		800	
245	GAA26140M625		600	
246	GAA26140M626	Grey, with tread finished, 3 sides yellow inserts, with damping material	1000	
247	GAA26140M627		800	
248	GAA26140M628		600	

STEP WITH DAMPING MATERIAL



WITH INDEX PIN



249-254

*Note: For LINK_ANSI escalator, step tab must be cut before replacement. Please refer to cut method on page 45 for installation.

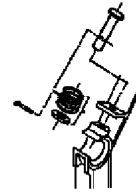
35° escalator, the tab must be cut before replacement.

GAA26140M				
REF. No.	PART No. OR M.L.	DESCRIPTION	Type	Located
249	GAA26140M629	Black, with tread finished, 3 sides yellow coated demarcation, with damping material	1000	Indoor
250	GAA26140M630		800	
251	GAA26140M631		600	
252	GAA26140M632	Grey, with tread finished, 3 sides yellow coated demarcation, with damping material	1000	
253	GAA26140M633		800	
254	GAA26140M634		600	

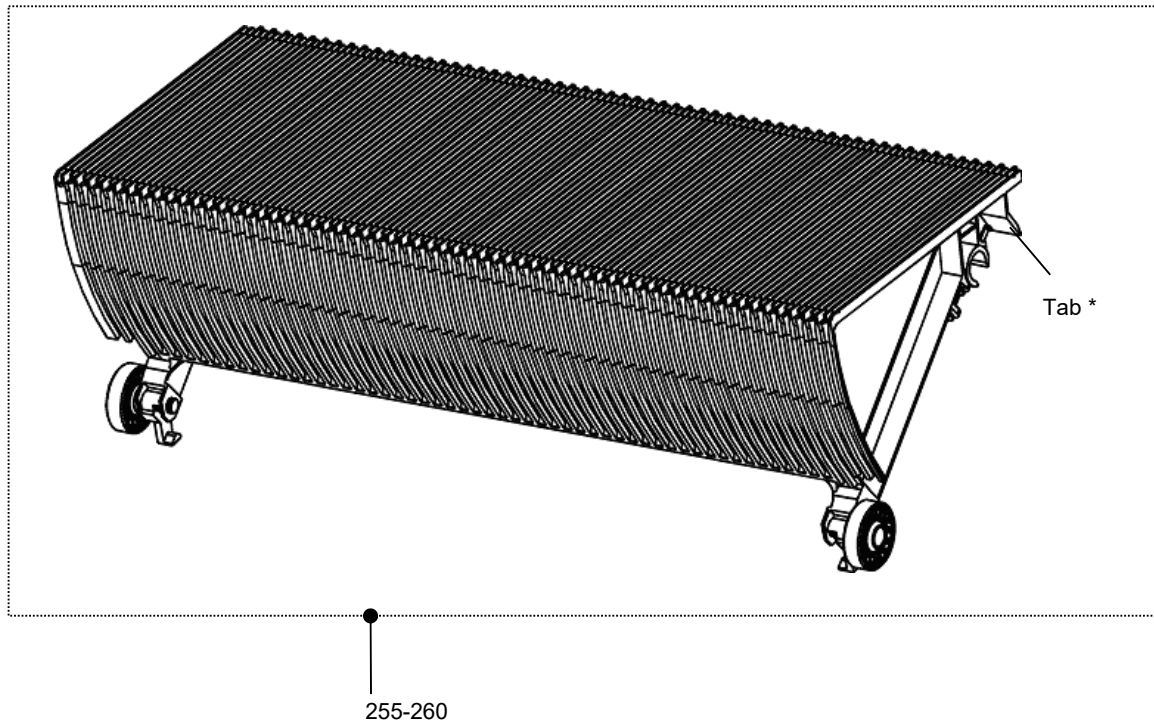
Escalator Step

53-GAA26140M

STEP WITH DAMPING MATERIAL



WITH INDEX PIN

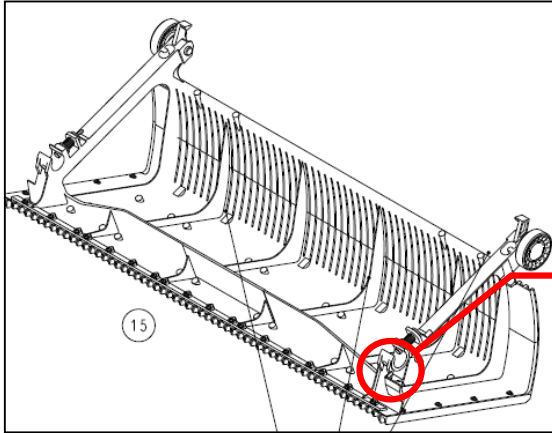


*Note: For LINK_ANSI escalator, step tab must be cut before replacement. Please refer to cut method on page 45 for installation.

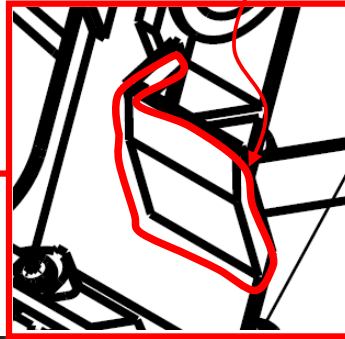
35° escalator, the tab must be cut before replacement.

GAA26140M				
REF. No.	PART No. OR M.L.	DESCRIPTION	Type	Located
255	GAA26140M635	Black, with tread finished, 3 sides yellow coated demarcation, with damping material	1000	Outdoor
256	GAA26140M636		800	
257	GAA26140M637		600	
258	GAA26140M638	Grey, with tread finished, 3 sides yellow coated demarcation, with damping material	1000	
259	GAA26140M639		800	
260	GAA26140M640		600	

GAA26140M step modify for installation.



Cut this tab off



Before modification



After modification

What we use for cutting the bracket is as below. For your reference.

