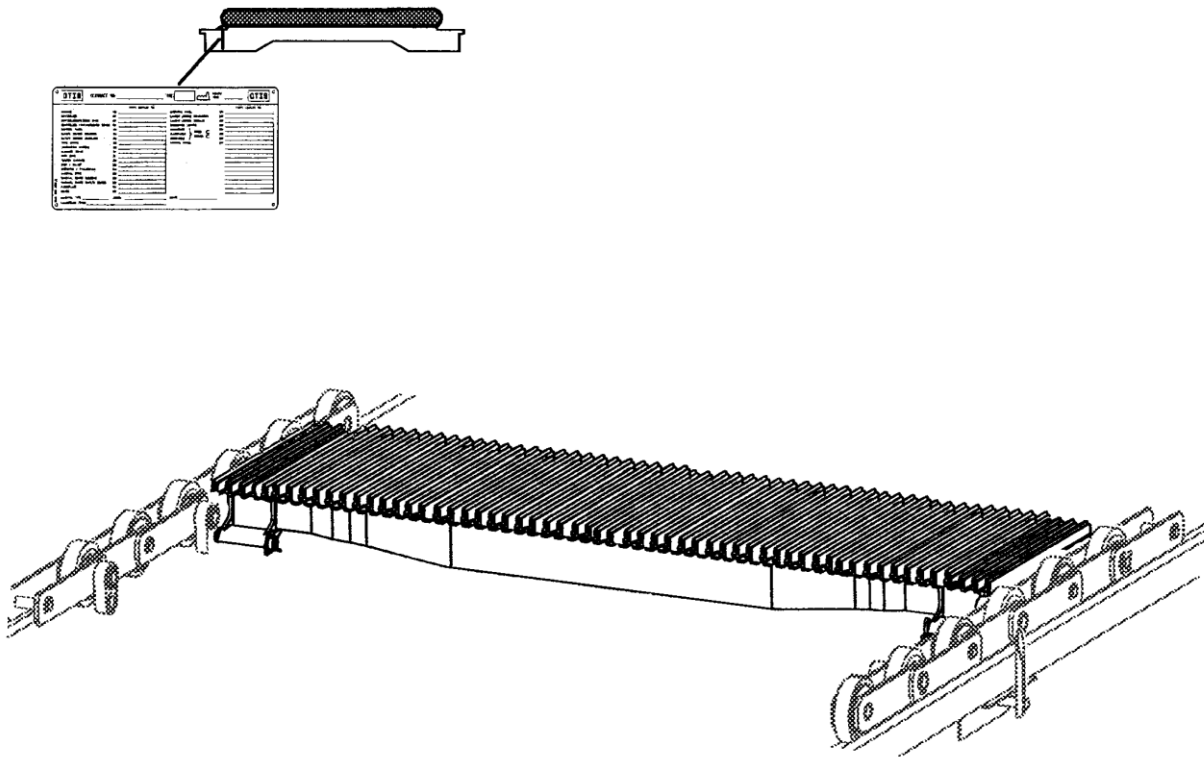


# Trav-O-Lator® 606NCT Uniplate

**Spare Parts Leaflet**

**53-GAA26340C**

04/01/2003 / Page 1 of 15



**OTIS**

**Safety First!**

**ENGINEERING**  
Otis Escalator Systems  
Stadthagen, Germany

**Leaflet Description**

The Uniplate GAA26340C replaces 53-GAA-/GAB26340A and replaces 53-GAA26340F.

**Leaflet Revisions**

<b>Date Revised</b>	<b>Subject Matter Expert</b>	<b>Reason for Revision</b>
April 21, 2003	Wilfried Gohlke	Replacement-see leaflet description above.

**Related Drawings**

<b>Drawing No.</b>	<b>Title</b>	<b>Drawing No.</b>	<b>Title</b>
GAA26340C	Uniplate		

**Related Documents**

<b>Document ID</b>	<b>Title</b>

**Subject Matter Expert**

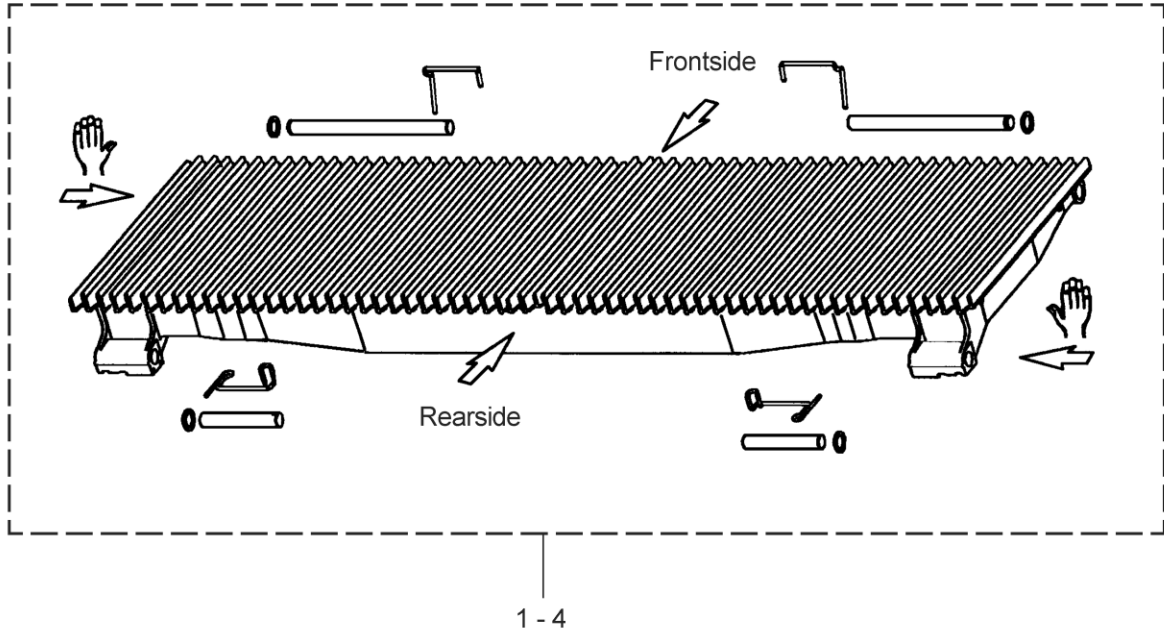
<b>Name</b>	<b>Department</b>
Peter Borchers	Engineering Stadthagen, Germany

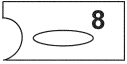
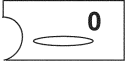
**About Spare Parts Leaflets...**

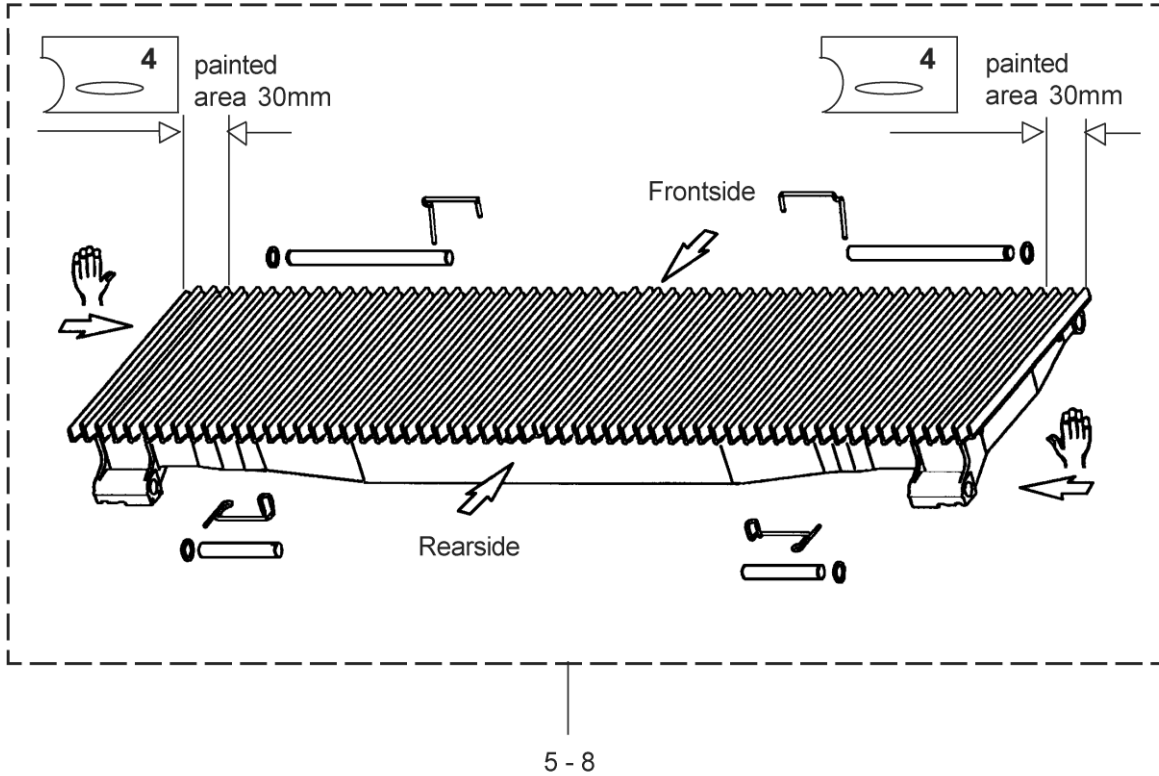
This document lists the lowest replaceable units (LRUs) for the standard version of the product. The LRUs are chosen by a team of Otis associates representing engineering and manufacturing.

While goal of this document is to make parts identification as easy as possible, the document cannot be all-inclusive. Elevator and escalator contracts classified as "special" or "custom" are not addressed here. For such contracts, please refer to specified information, the contract folder, TIPs, Field Education Articles, Construction Letters, etc. for further information.

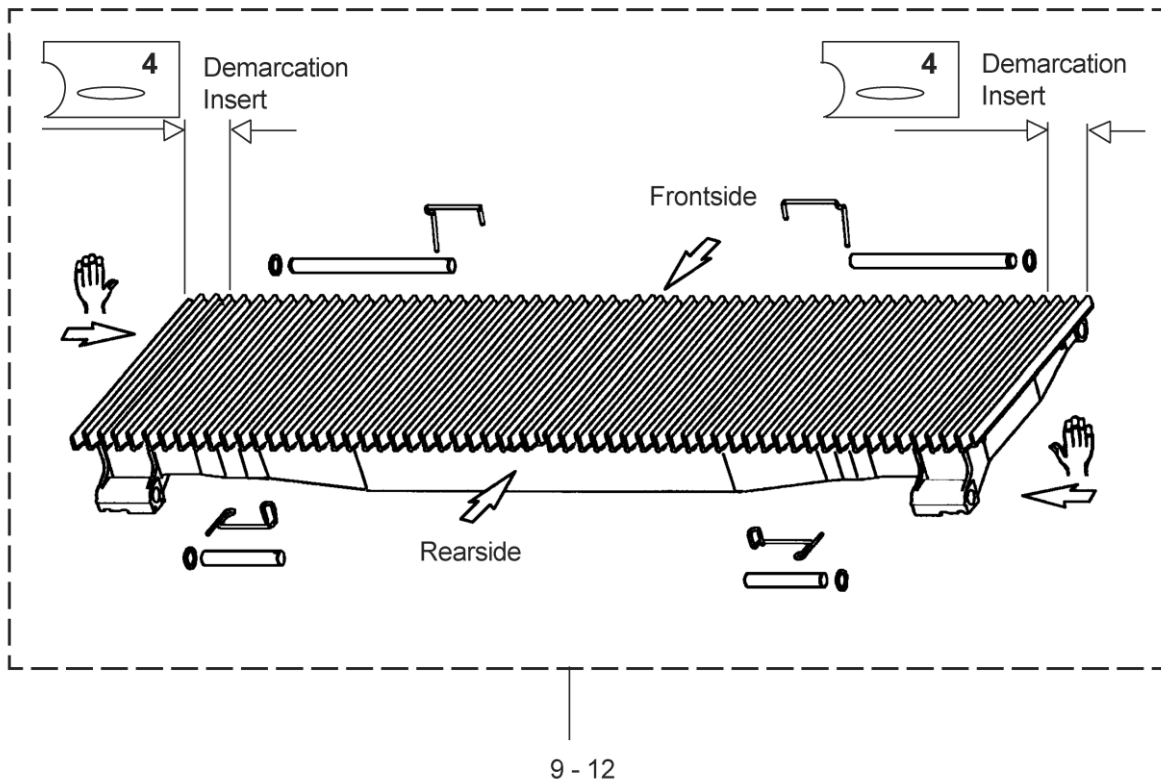
If you have any suggestions about this document, please contact the subject matter expert listed on this page.



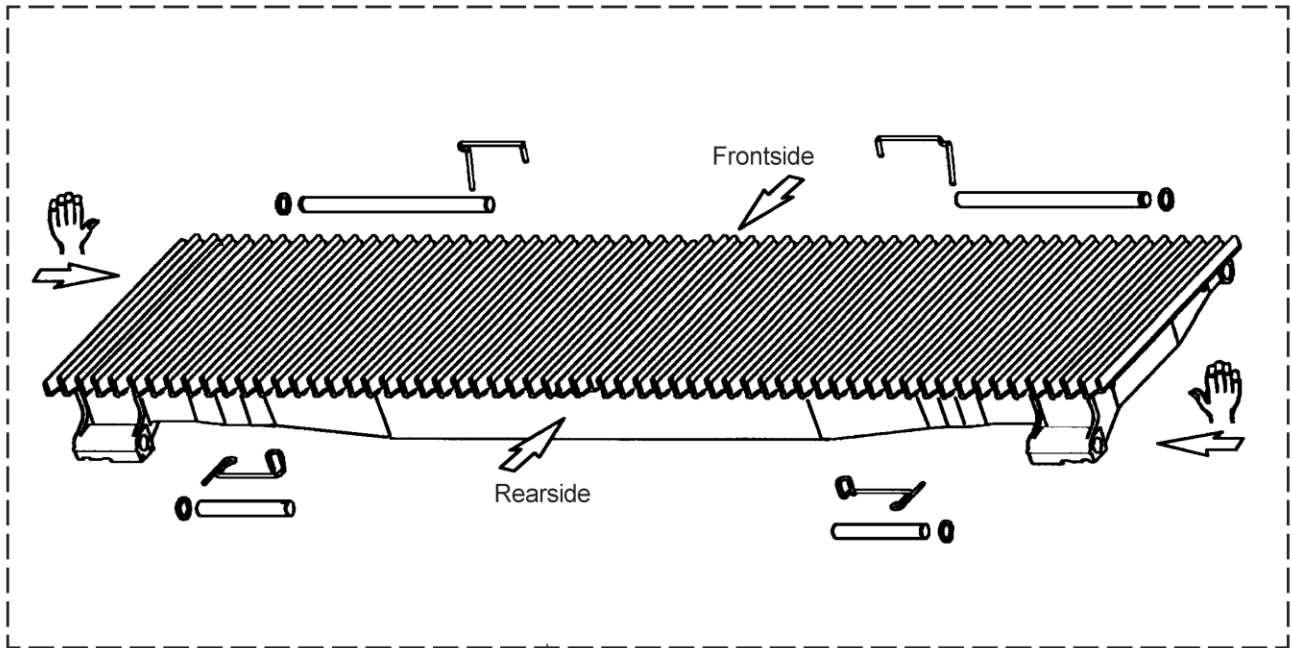
<b>GAA26340C</b>					
<b>REF No.</b>	<b>PART No.</b>	<b>DESCRIPTION</b>	<b>TREAD SURFACE</b>	<b>COLOR</b>	<b>LOCATED</b>
1	GAA26340A1 GAB26340A1 GAA26340C1	Uniplate 1000/48"	Treadplate & riser coated  w/ Tread Finish		Indoor
2	GAA26340A2 GAB26340A2 GAA26340C2	Uniplate 800/40"			
3	GAB26340A3 GAB26340A3 GAA26340C3	Uniplate 1000/48"			
4	GAA26340A4 GAB26340A4 GAA26340C4	Uniplate 800/40"			



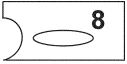
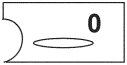
<b>GAA26340C</b>					
<b>REF No.</b>	<b>PART No.</b>	<b>DESCRIPTION</b>	<b>TREAD SURFACE</b>	<b>COLOR</b>	<b>LOCATED</b>
5	<del>GAA26340A11</del> <del>GAB26340A11</del> GAA26340C5	Uniplate 1000/48"	Treadplate & Riser Coated  w/Tread Finish		Indoor
6	<del>GAA26340A12</del> <del>GAB26340A12</del> GAA26340C6	Uniplate 800/40"			
7	<del>GAA26340A13</del> <del>GAB26340A13</del> GAA26340C7	Uniplate 1000/48"			
8	<del>GAA26340A14</del> <del>GAB26340A14</del> GAA26340C8	Uniplate 800/40"			

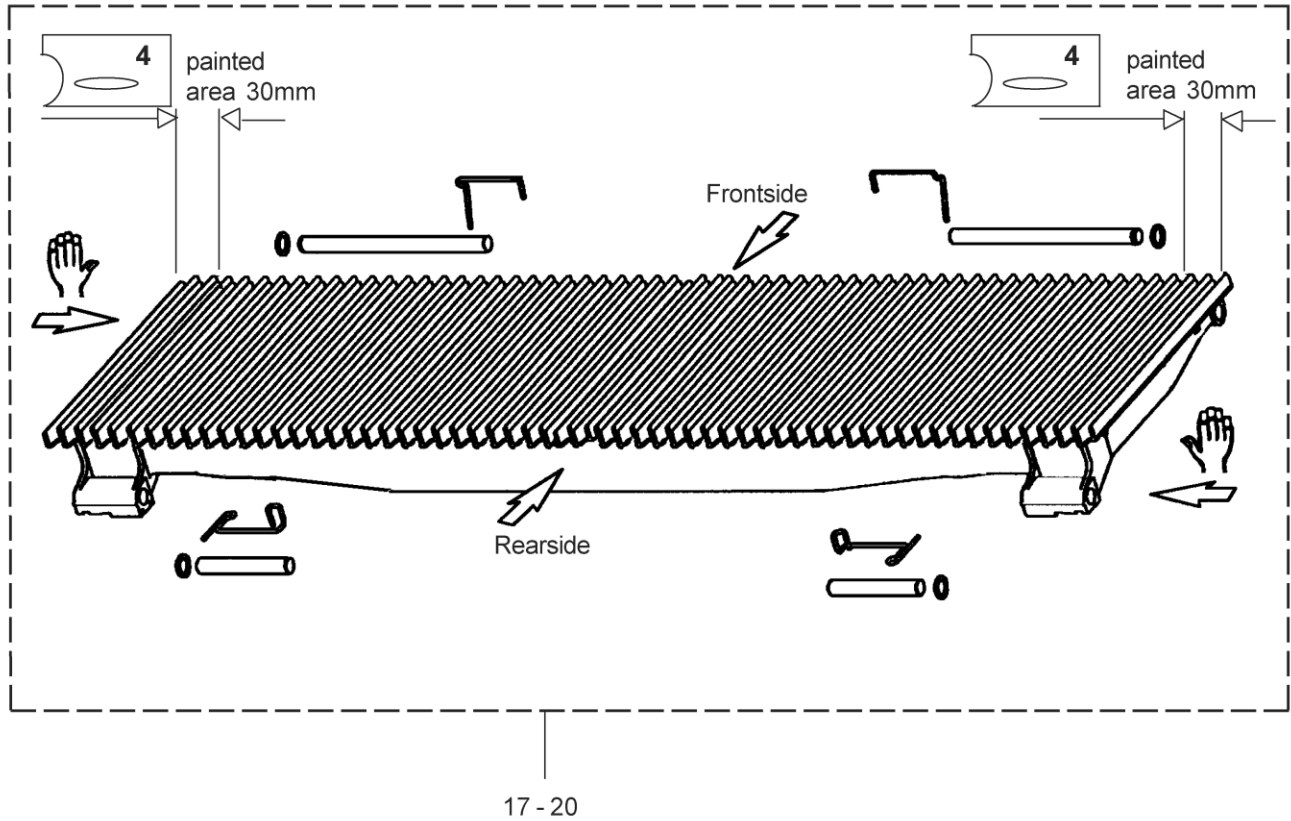


GAA26340C		DESCRIPTION	TREAD SURFACE	COLOR	LOCATED
REF No.	PART No.				
9	GAA26340A21 GAB26340A21 GAA26340C9	Uniplate 1000/48"	Treadplate & Riser Coated  w/Tread Finish	8	Indoor
10	GAA26340A22 GAB26340A22 GAA26340C10	Uniplate 800/40"			
11	GAA26340A23 GAB26340A23 GAA26340C11	Uniplate 1000/48"		0	
12	GAA26340A24 GAB26340A24 GAA26340C12	Uniplate 800/40"			

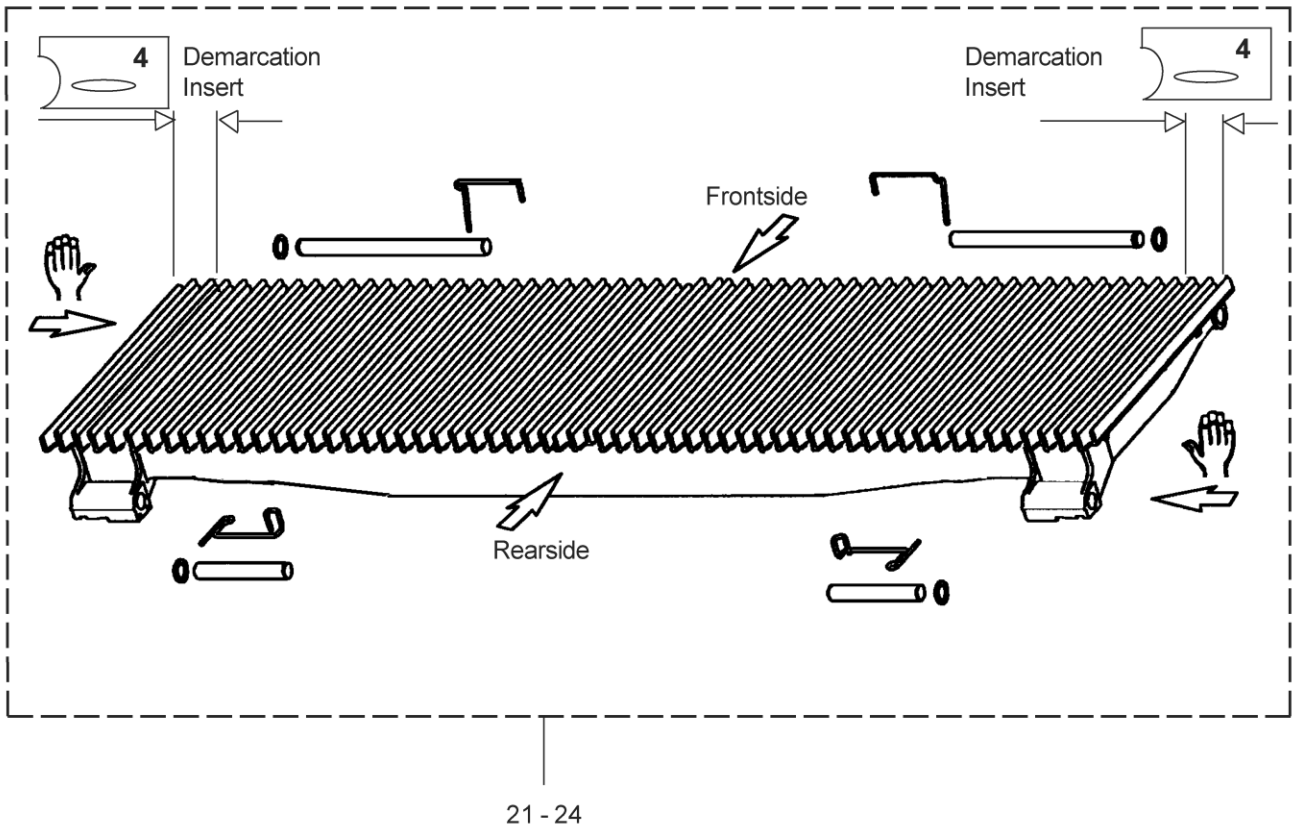



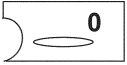
13 - 16

<b>GAA26340C</b>					
<b>REF No.</b>	<b>PART No.</b>	<b>DESCRIPTION</b>	<b>TREAD SURFACE</b>	<b>COLOR</b>	<b>LOCATED</b>
13	GAA26340A1 GAB26340A1 GAA26340C13	Uniplate 1000/48"	Treadplate, Riser & Compl. Backside Coated  w/Tread Finish		Indoor
14	GAA26340A2 GAB26340A2 GAA26340C14	Uniplate 800/40"			
15	GAA26340A3 GAB26340A3 GAA26340C15	Uniplate 1000/48"			
16	GAA26340A4 GAB26340A4 GAA26340C16	Uniplate 800/40"			

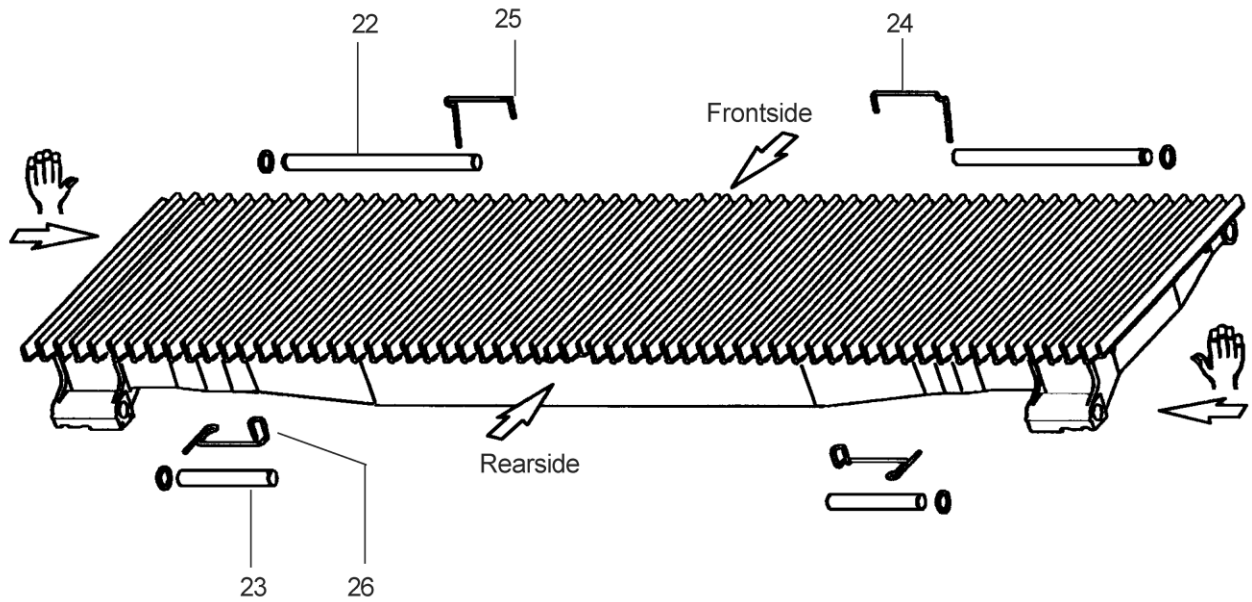


GAA26340C		DESCRIPTION	TREAD SURFACE	COLOR	LOCATED
REF No.	PART No.				
17	GAA26340A11 GAB26340A11 GAA26340C17	Uniplate 1000/48"	Treadplate, Riser & Compl. Backside Coated  w/Tread Finish	8	Indoor
18	GAA26340A12 GAB26340A12 GAA26340C18	Uniplate 800/40"			
19	GAA26340A13 GAB26340A13 GAA26340C19	Uniplate 1000/48"		0	
20	GAA26340A14 GAB26340A14 GAA26340C20	Uniplate 800/40"			

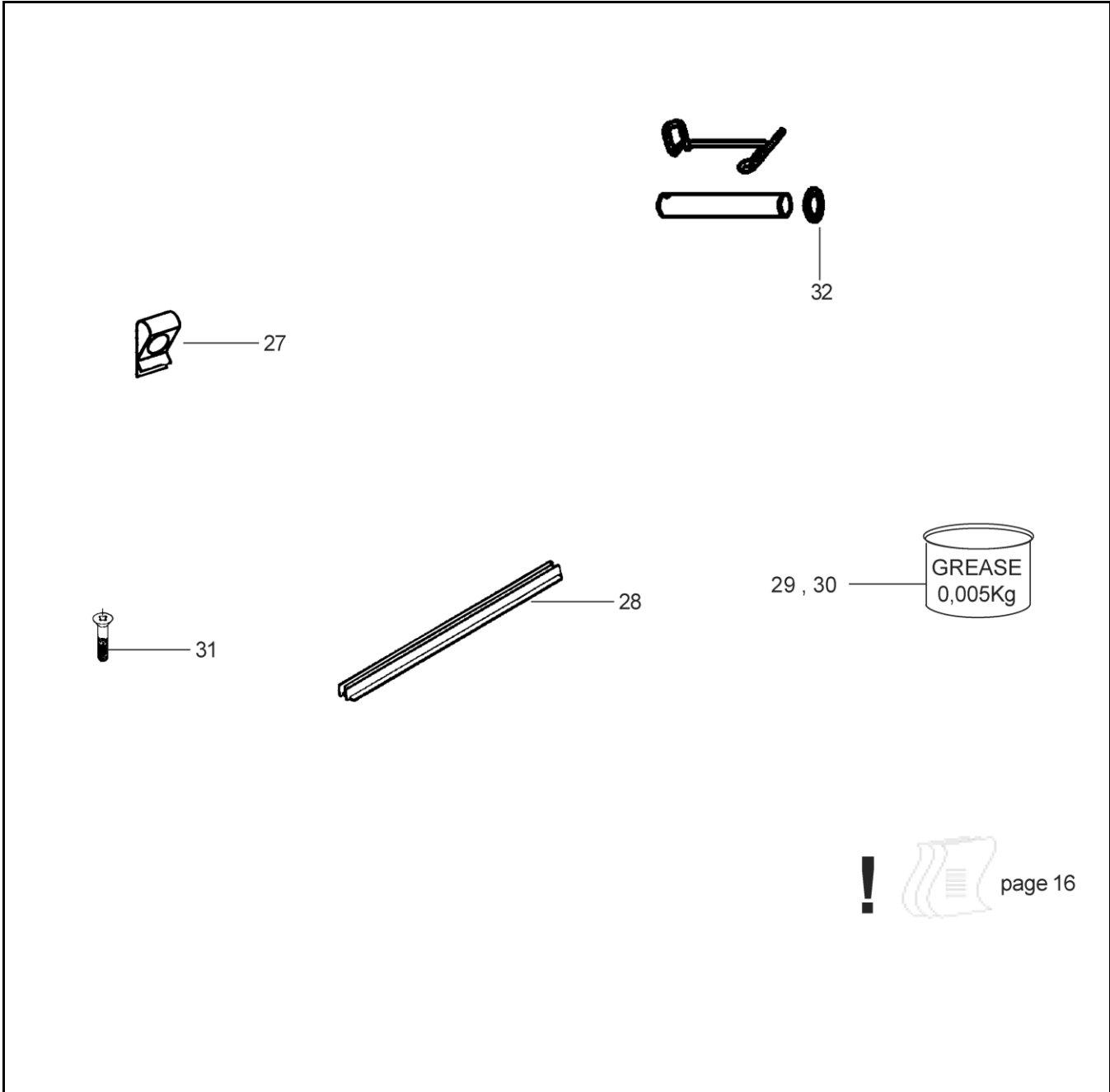


GAA26340C		DESCRIPTION	TREAD SURFACE	COLOR	LOCATED
REF No.	PART No.				
21	GAA26340A21 GAB26340A21 GAA26340C21	Uniplate 1000/48"	Treadplate, Riser & Compl. Backside Coated  w/Tread Finish		Indoor
22	GAA26340A22 GAB26340A22 GAA26340C22	Uniplate 800/40"			
23	GAA26340A23 GAB26340A23 GAA26340C23	Uniplate 1000/48"			
24	GAA26340A24 GAB26340A24 GAA26340C24	Uniplate 800/40"			

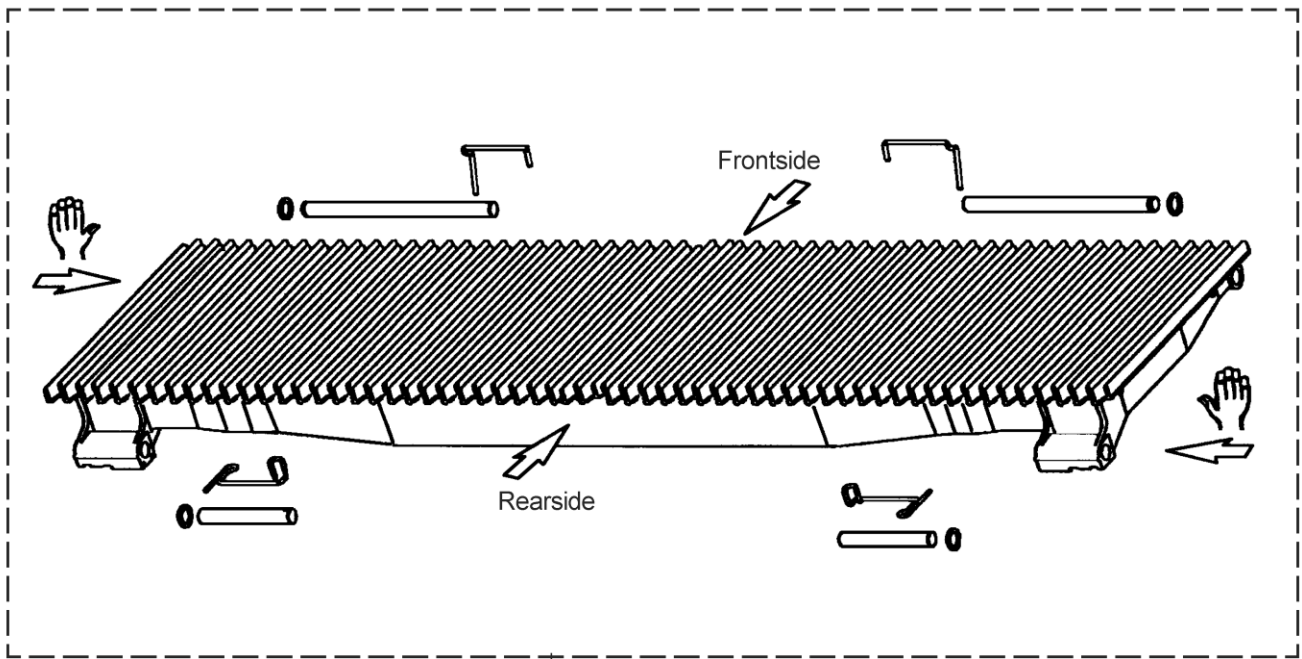




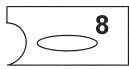
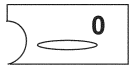
<b>GAA26340C</b>			
<b>REF. No.</b>	<b>PART No.</b>	<b>DESCRIPTION</b>	<b>LOCATED</b>
22	GAA81EH1	Front Pallet Axle (long)	indoor
23	GAA81EH2	Rear Pallet Axle (short)	
24	GAA94BF1	Spring (front side)	
25	GAA94BF2	Spring (front side)	
26	GAA94BF3	Spring (rear side)	

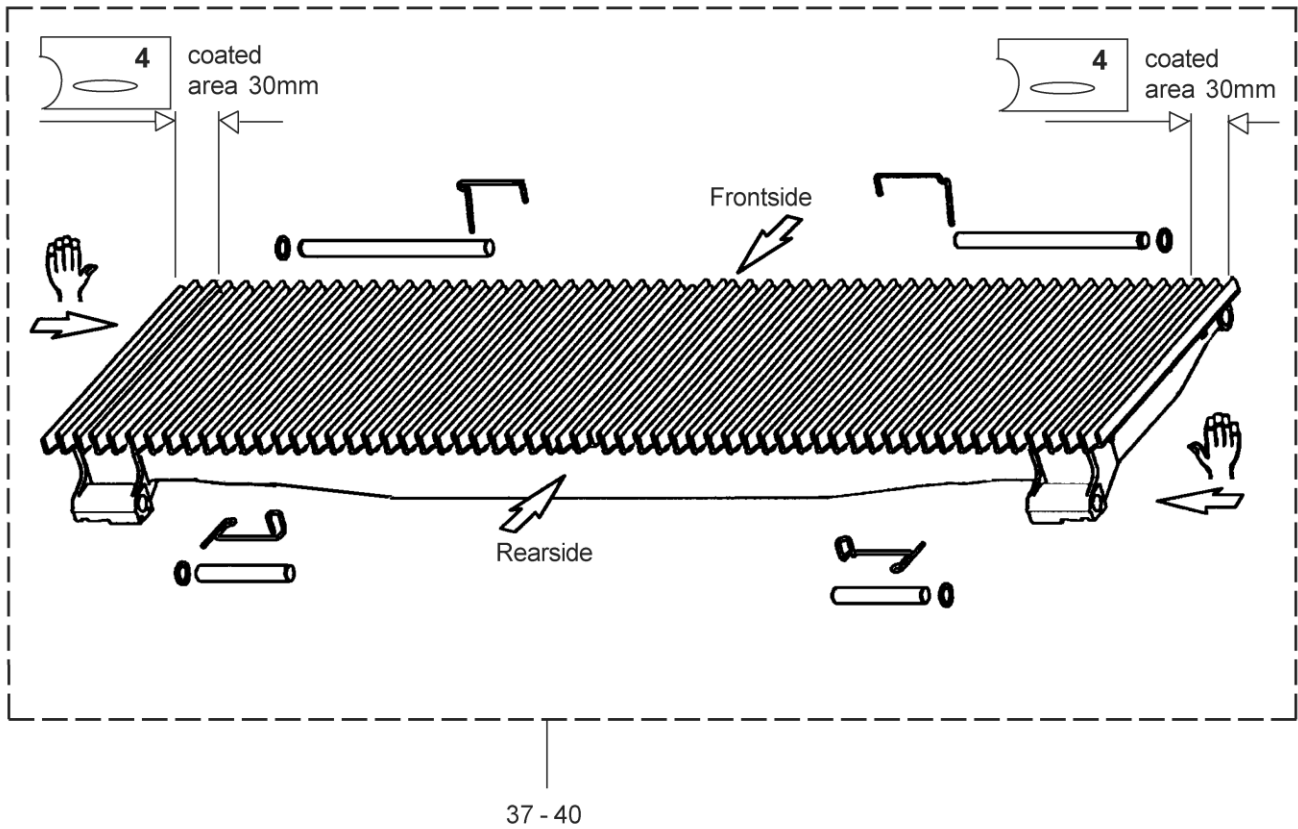


GAA26340C			
REF. No.	PART No.	DESCRIPTION	LOCATED
27	GAA339FP1	Clip	---
28	GAA455AD1	Demarcation Insert	---
29	---	Grease, Microlube GL 262 (198697)	Indoor
30	---	Grease, Otis No. LO13, Staburag NB30 PTM (153577)	Outdoor
31	GAA65EA1	Special Screw	---
32	GAA127GF1	Washer	---

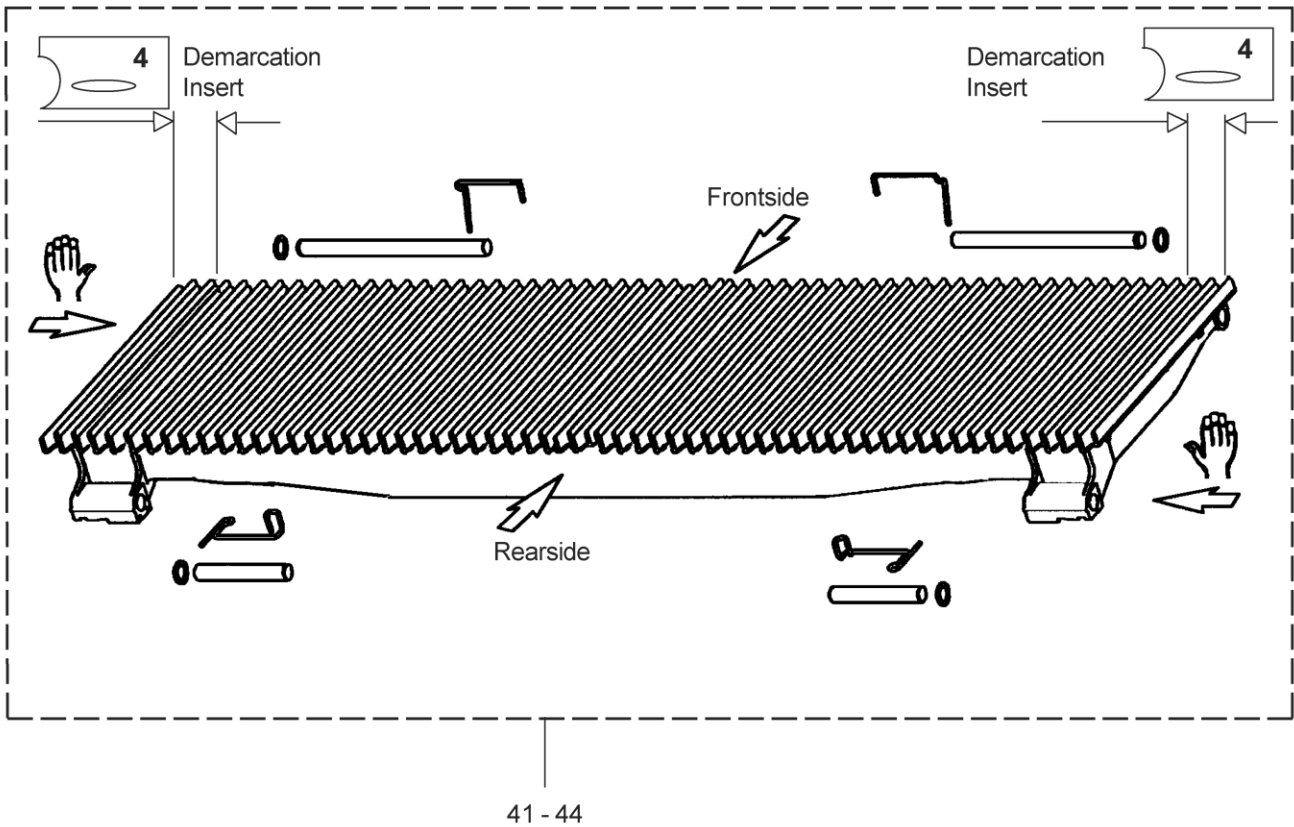


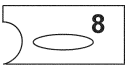
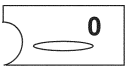
33 - 36

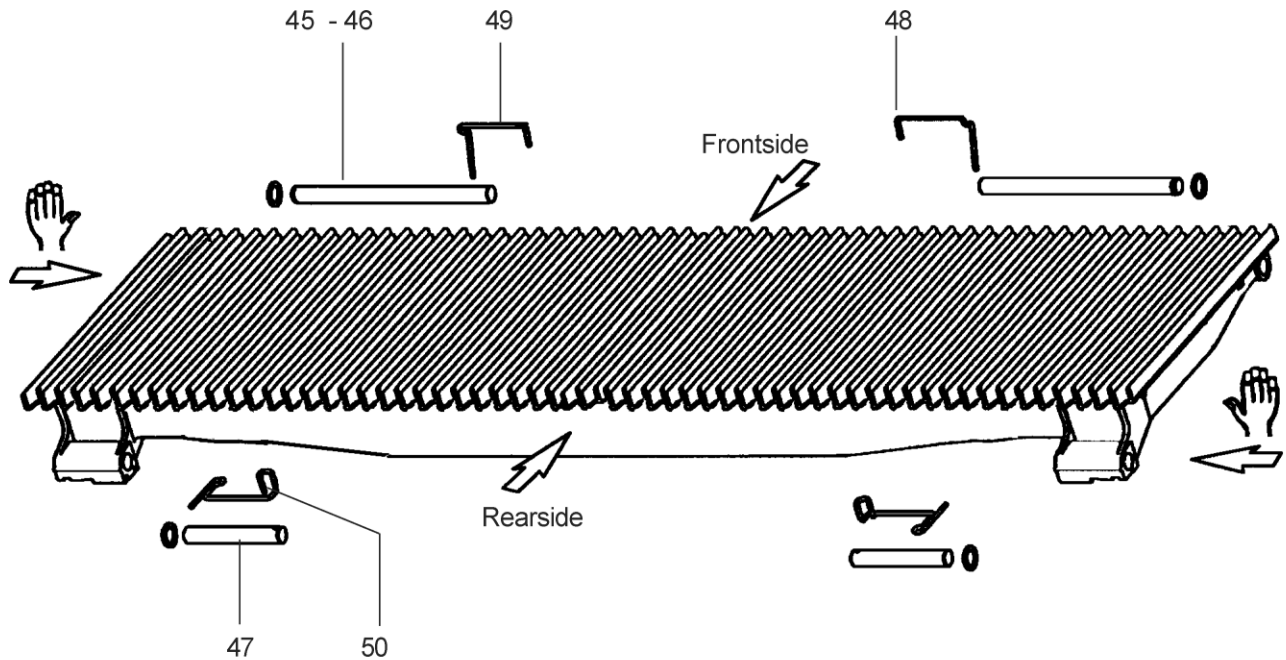
<b>GAA26340C</b>		<b>DESCRIPTION</b>	<b>TREAD SURFACE</b>	<b>COLOR</b>	<b>LOCATED</b>
<b>REF No.</b>	<b>PART No.</b>				
33	GAA26340A31 GAB26340A31 GAA26340C25	Uniplate 1000/48"	Treadplate, Riser & Compl. Backside Coated  w/Tread Finish		Outdoor
34	GAA26340A32 GAB26340A32 GAA26340C26	Uniplate 800/40"			
35	GAA26340A33 GAB26340A33 GAA26340C27	Uniplate 1000/48"			
36	GAA26340A34 GAB26340A34 GAA26340C28	Uniplate 800/40"			



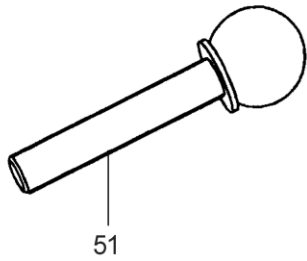
GAA26340C		DESCRIPTION	TREAD SURFACE	COLOR	LOCATED
REF No.	PART No.				
37	<del>GAA26340A41</del> <del>GAB26340A41</del> GAA26340C29	Uniplate 1000/48"	Treadplate, Riser & Compl. Backside Coated  w/Tread Finish	8	Outdoor
38	<del>GAA26340A42</del> <del>GAB26340A42</del> GAA26340C30	Uniplate 800/40"			
39	<del>GAA26340A43</del> <del>GAB26340A43</del> GAA26340C31	Uniplate 1000/48"		0	
40	<del>GAA26340A44</del> <del>GAB26340A44</del> GAA26340C32	Uniplate 800/40"			



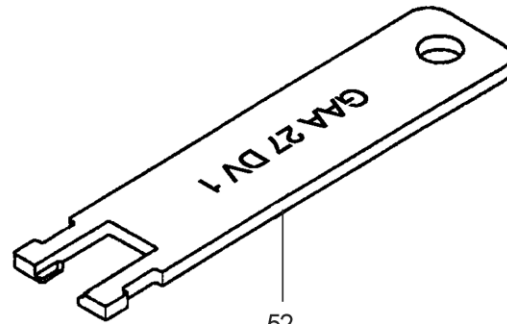
GAA26340C		DESCRIPTION	TREAD SURFACE	COLOR	LOCATED
REF No.	PART No.				
41	<del>GAA26340A51</del> <del>GAB26340A51</del> GAA26340C33	Uniplate 1000/48"	Treadplate, Riser & Compl. Backside Coated  w/Tread Finish		Outdoor
42	<del>GAA26340A52</del> <del>GAB26340A52</del> GAA26340C34	Uniplate 800/40"			
43	<del>GAA26340A53</del> <del>GAB26340A53</del> GAA26340C35	Uniplate 1000/48"			
44	<del>GAA26340A54</del> <del>GAB26340A54</del> GAA26340C36	Uniplate 800/40"			



GAA26340C			
REF. No.	PART No.	DESCRIPTION	LOCATED
45	GAA81EH4	Front Pallet Axle (long) w Lubrication Nipple	Outdoor
46	GAA81EH5	Front Pallet Axle (long) w/o Lubrication Nipple	
47	GAA81EH6	Rear Pallet Axle (short)	
48	GAA94BF1	Spring (front side)	
49	GAA94BF2	Spring (front side)	
50	GAA94BF3	Spring (rear side)	



51

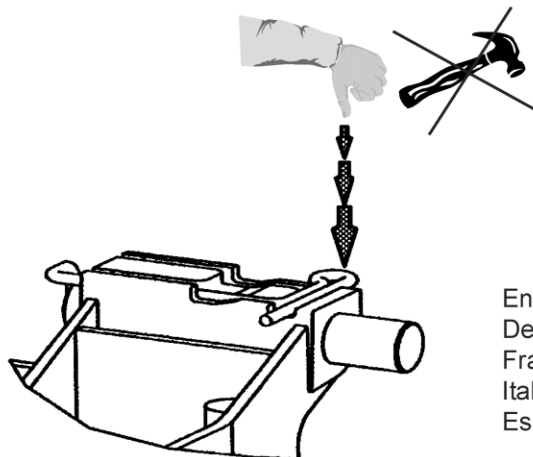
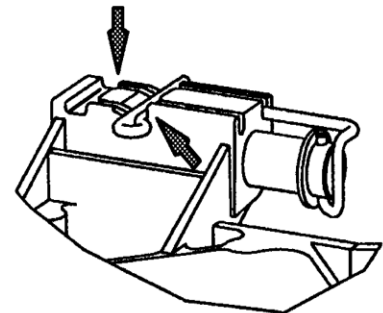


52

GAA26340C		
REF. No.	PART No.	DESCRIPTION
51	GAA27DT1	Tool for Pallet Dismantling
52	GAA27DV1	Tool for Assembly of the Last Pallet



English :Do not use Pallets with damaged Spring Grooves,**replace.**  
 Deutsch :Paletten mit beschädigten Nuten nicht benutzen,  
**austauschen.**  
 Français :Ne pas utiliser les Pallettes avec les gorges de ressort  
 endomagées,**remplaces les.**  
 Italian :Non utilizzare i pallets con scanalature a molla rovinate,  
**sostituirli.**  
 Español :No utilizar Eslabones con ranuras de muelles dañados,  
**reemplazarlos.**



English :Look for correct Position of Springs.  
 Deutsch :Auf korrekten Sitz der Federn achten.  
 Français :Vérifiez la bonne position des ressorts.  
 Italian :Verificare la corretta posizione delle molle.  
 Español :Verificar la correcta posicion de los muelles.