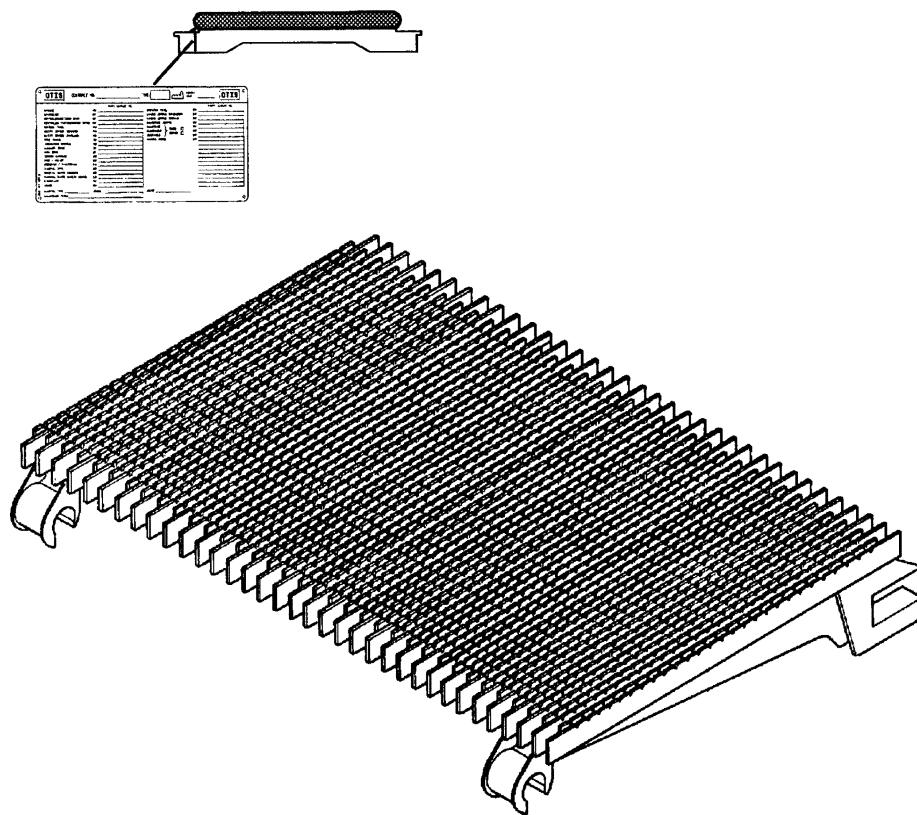


Trav-O-Lator® 610 NPT: Uniplate

Spare Parts Leaflet

53-GAA26340D

April 1, 2003 / Page 1 of 5



OTIS

Safety First!

ENGINEERING

**Otis Escalator Systems
Stadthagen, Germany**

Leaflet Description

SPL 53-GAA26340D replaces SPL 53-GO455B partly.

For pallets with yellow inserts, please look up SPL 53-A9741EA, which also replaces SPL 53-GO455B partly.

Leaflet Revisions

Date Revised	Subject Matter Expert	Reason for Revision
April 1, 2003	Wilfried Gohlke	New SPL with New Alloy
---	---	---

Related Drawings

Drawing No.	Title	Drawing No.	Title
GAA26340D	Uniplate	GAA455BA	Uniplate (cast model)
---	---	---	---

Related Documents

Document ID	Title
---	---
---	---

Subject Matter Expert

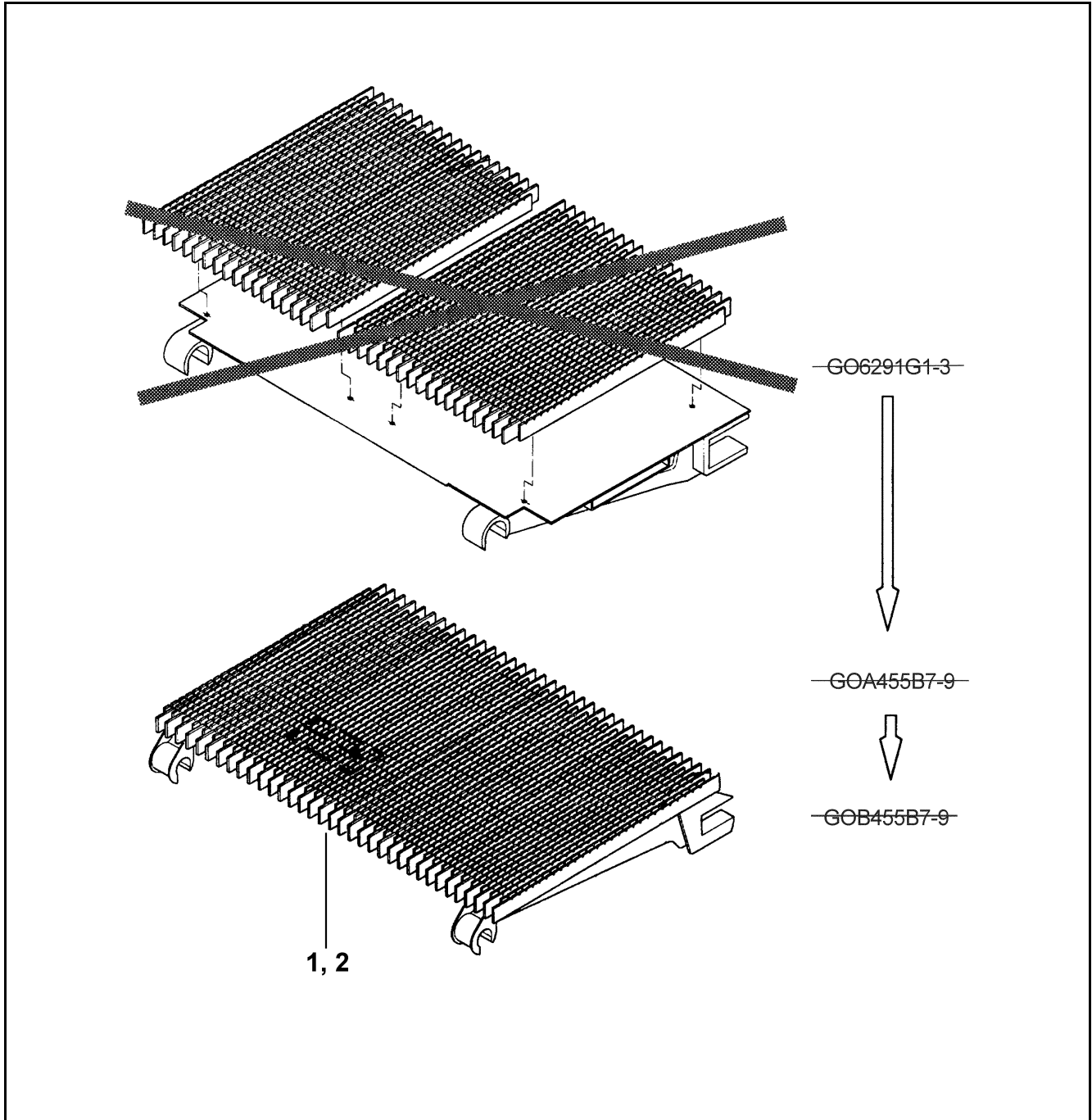
Name	Department
Wilfried Gohlke	Engineering, Stadthagen, Germany

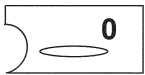
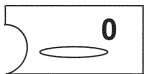
About Spare Parts Leaflets...

This document lists the lowest replaceable units (LRUs) for the standard version of the product. The LRUs are chosen by a team of Otis associates representing engineering and manufacturing.

While goal of this document is to make parts identification as easy as possible, the document cannot be all-inclusive. Elevator and escalator contracts classified as "special" or "custom" are not addressed here. For such contracts, please refer to specified information, the contract folder, TIPs, Field Education Articles, Construction Letters, etc. for further information.

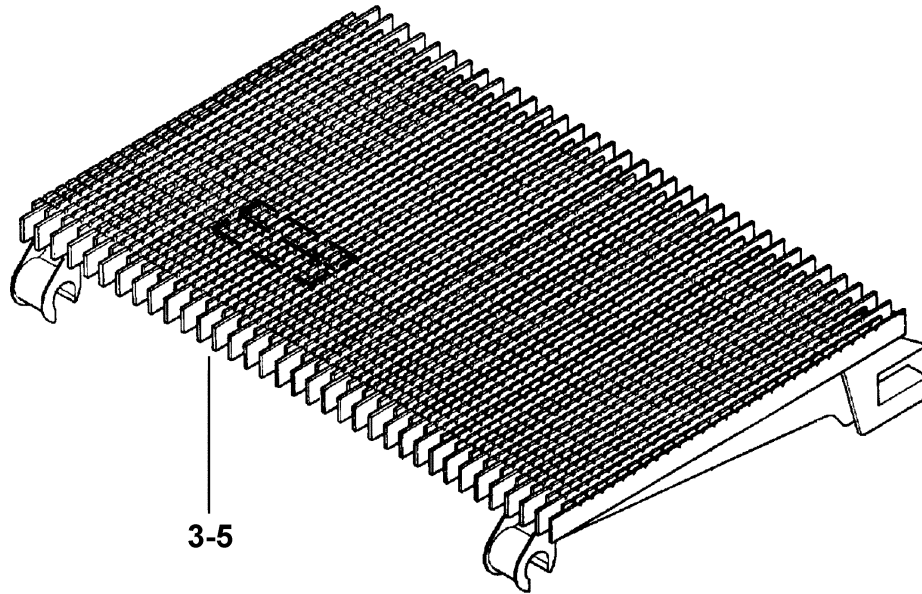
If you have any suggestions about this document, please contact the subject matter expert listed on this page.

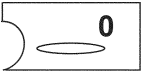
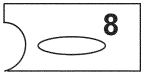
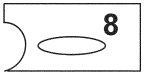


GAA26340D				
REF. No.	PART No.	DESCRIPTION	TREAD SURFACE	COLOR
1	GOB455B9 GAA26340D4	Uniplate, 1000 / 48"	with Tread Finish,	
2	GAA26340D3	Uniplate, 800 / 42"	Treadplate & Riser Coated	

53-GAA26340D

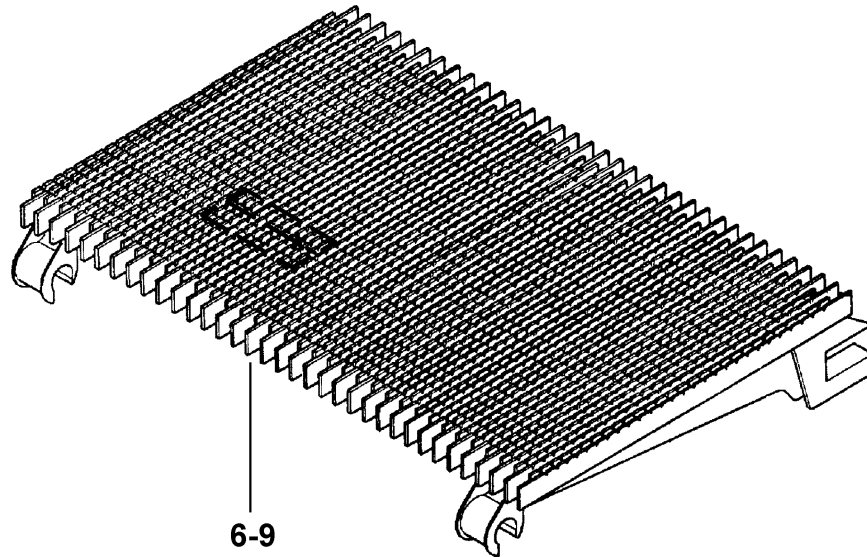
Trav-O-Lator® 610 NPT: Uniplate

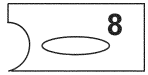
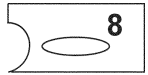
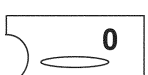


GAA26340D				
REF. No.	PART No.	DESCRIPTION	TREAD SURFACE	COLOR
3	GOB455B3 GAA26340D4	Uniplate, 1000 / 48"	with Tread Finish, Treadplate & Riser Coated	
4	GOB455B17 GAA26340D2	Uniplate, 1000 / 48"		
5	GOB455B16 GAA26340D1	Uniplate, 800 / 40"		

Trav-O-Lator® 610 NPT: Uniplate

53-GAA26340D



GAA26340D				
REF. No.	PART No.	DESCRIPTION	TREAD SURFACE	COLOR
6	GAA26340D5	Uniplate, 800 / 40"	with Tread Finish, Treadplate, Riser & Complete Backside Coated	
7	GAA26340D6	Uniplate, 1000 / 48"		
8	GAA26340D7	Uniplate, 800 / 40"		
9	GAA26340D8	Uniplate, 1000 / 48"		