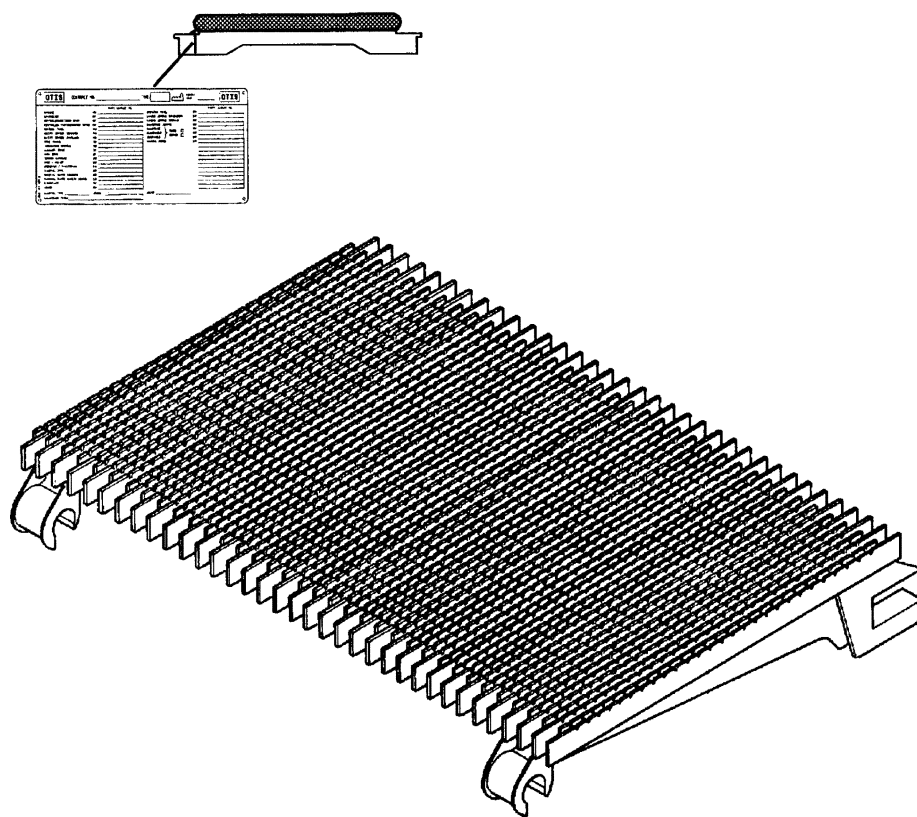


# Trav-O-Lator® 610 NPT: Uniplate

**Spare Parts Leaflet**

**53-GAA26340E**

**April 1, 2003 / Page 1 of 6**



**OTIS**

**Safety First!**

**ENGINEERING**

**Otis Escalator Systems  
Stadthagen, Germany**

**Leaflet Description**

This SPL contains the uniplate types 1200-1400.

This SPL replaces SPL 53-GAA455K.

**Leaflet Revisions**

| <b>Date Revised</b> | <b>Subject Matter Expert</b> | <b>Reason for Revision</b>                  |
|---------------------|------------------------------|---|
| April 1, 2003       | Wilfried Gohlke              | Replacement--See leaflet description above. |
| ---                 | ---                          | ---   |

**Related Drawings**

| <b>Drawing No.</b> | <b>Title</b> | <b>Drawing No.</b> | <b>Title</b>          |
|--------------------|--------------|--------------------|-----------------------|
| GAA26340E          | Uniplate     | GAA455BB           | Uniplate (cast model) |
| ---                | ---          | ---                | ---                   |

**Related Documents**

| <b>Document ID</b> | <b>Title</b> |
|--------------------|--------------|
| ---                | ---          |
| ---                | ---          |

**Subject Matter Expert**

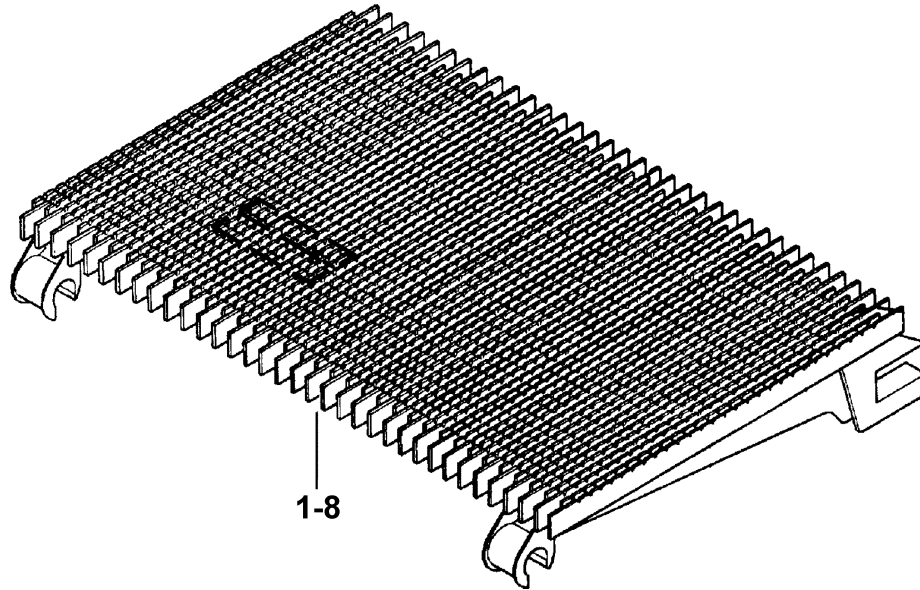
| <b>Name</b>     | <b>Department</b>                |
|-----------------|----------------------------------|
| Wilfried Gohlke | Engineering, Stadthagen, Germany |

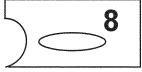
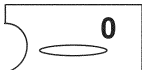
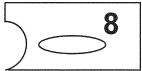
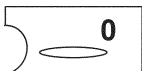
**About Spare Parts Leaflets...**

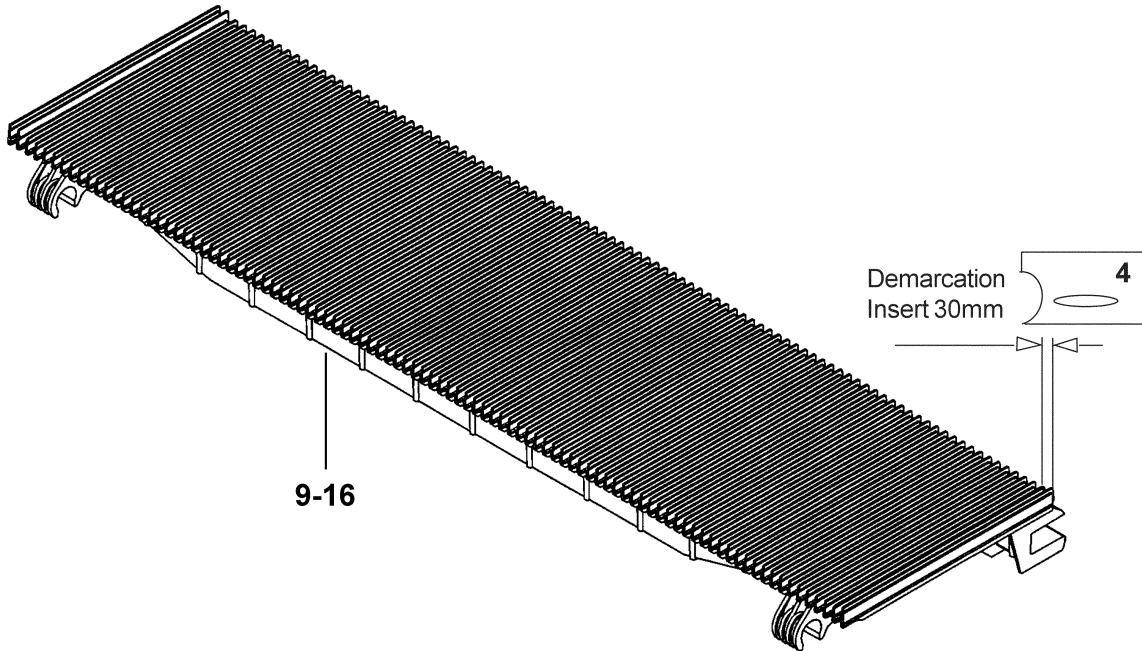
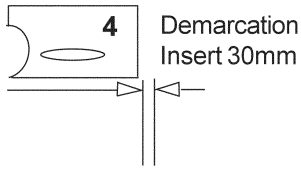
This document lists the lowest replaceable units (LRUs) for the standard version of the product. The LRUs are chosen by a team of Otis associates representing engineering and manufacturing.

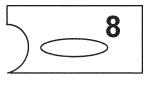
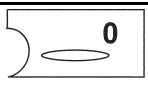
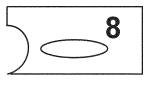
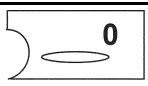
While goal of this document is to make parts identification as easy as possible, the document cannot be all-inclusive. Elevator and escalator contracts classified as "special" or "custom" are not addressed here. For such contracts, please refer to specified information, the contract folder, TIPs, Field Education Articles, Construction Letters, etc. for further information.

If you have any suggestions about this document, please contact the subject matter expert listed on this page.



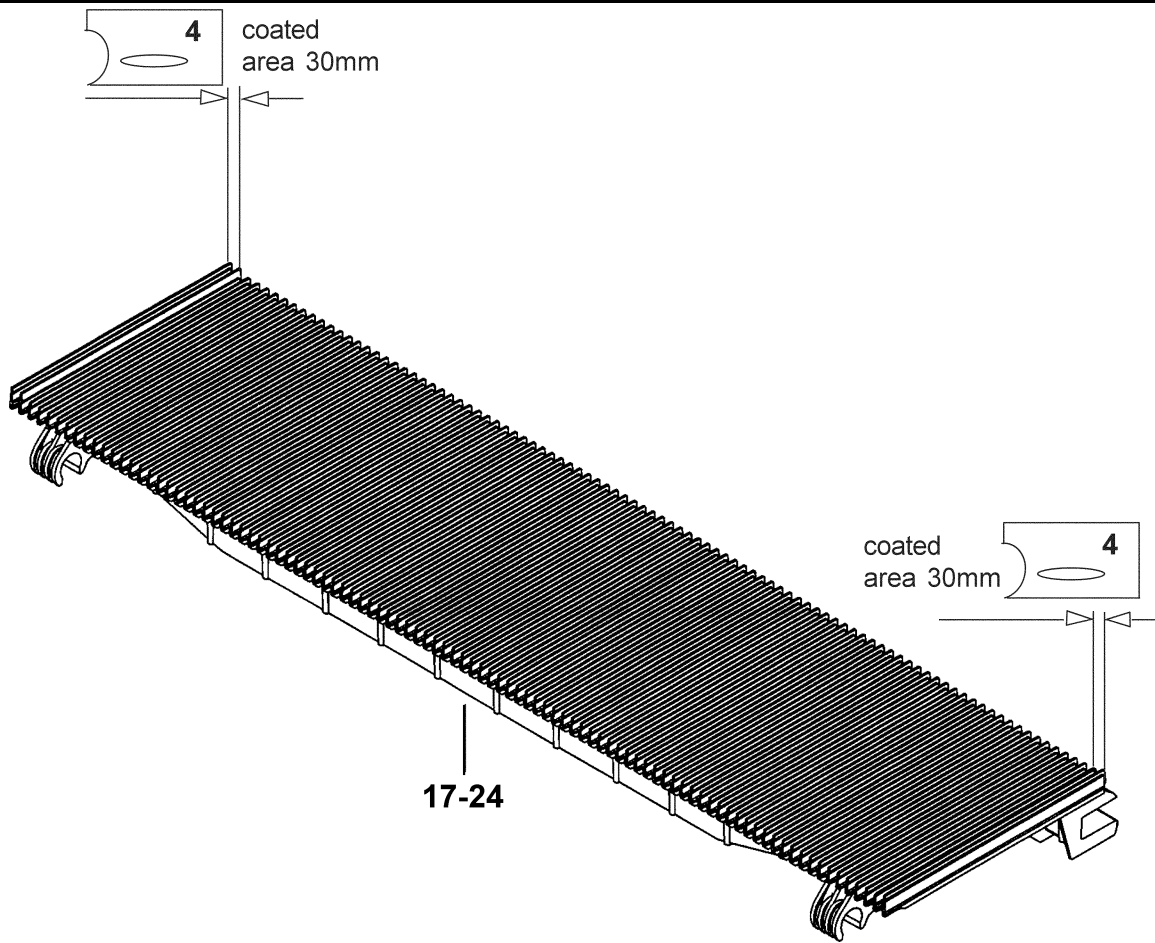
| <b>GAA26340E</b> |                 |                    |  |   |                |
|------------------|-----------------|--------------------|--|---|----------------|
| <b>REF. No.</b>  | <b>PART No.</b> | <b>DESCRIPTION</b> | <b>TREAD SURFACE</b>   | <b>COLOR</b>  | <b>LOCATED</b> |
| 1                | GAA26340E1      | Uniplate 1400      | with Tread Finish,<br>Treadplate & Riser<br>Coated                       |  | Indoor         |
| 2                | GAA26340E3      | Uniplate 1200      |  |   |                |
| 3                | GAA26340E2      | Uniplate 1400      |  |  |                |
| 4                | GAA26340E4      | Uniplate 1200      |  |   |                |
| 5                | GAA26340E17     | Uniplate 1400      | with Tread Finish,<br>Treadplate, Riser<br>& Complete<br>Backside Coated |  | Outdoor        |
| 6                | GAA26340E19     | Uniplate 1200      |  |   |                |
| 7                | GAA26340E18     | Uniplate 1400      |  |  |                |
| 8                | GAA26340E20     | Uniplate 1200      |  |   |                |



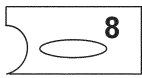
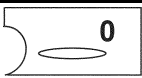
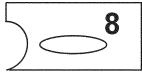
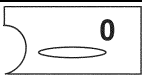
| <b>GAA26340E</b> |                 |                    |  |   |                |
|------------------|-----------------|--------------------|--|---|----------------|
| <b>REF. No.</b>  | <b>PART No.</b> | <b>DESCRIPTION</b> | <b>TREAD SURFACE</b>   | <b>COLOR</b>  | <b>LOCATED</b> |
| 9                | GAA26340E5      | Uniplate 1200      | with Tread Finish,<br>Treadplate & Riser<br>Coated                       |  8 | Indoor         |
| 10               | GAA26340E6      | Uniplate 1400      |  |   |                |
| 11               | GAA26340E7      | Uniplate 1200      |  |  0 |                |
| 12               | GAA26340E8      | Uniplate 1400      |  |   |                |
| 13               | GAA26340E21     | Uniplate 1200      | with Tread Finish,<br>Treadplate, Riser &<br>Complete Backside<br>Coated |  8 | Outdoor        |
| 14               | GAA26340E22     | Uniplate 1400      |  |   |                |
| 15               | GAA26340E23     | Uniplate 1200      |  |  0 |                |
| 16               | GAA26340E24     | Uniplate 1400      |  |   |                |

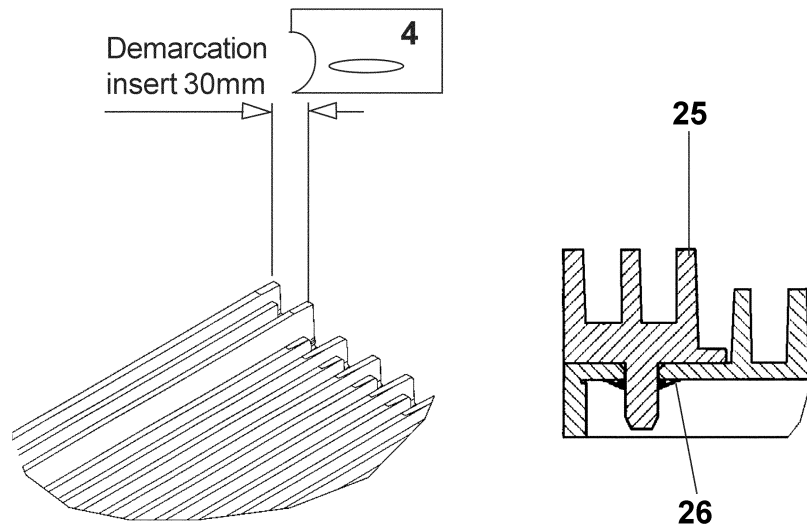
# Trav-O-Lator® 610 NPT: Uniplate

**53-GAA26340D**



**GAA26340E**

| REF. No. | PART No.    | DESCRIPTION   | TREAD SURFACE  | COLOR   | LOCATED |
|----------|-------------|---------------|--|---|---------|
| 17       | GAA26340E9  | Uniplate 1200 | with Tread Finish,<br>Treadplate & Riser<br>Coated                       |  | Indoor  |
| 18       | GAA26340E10 | Uniplate 1400 |  |   |         |
| 19       | GAA26340E11 | Uniplate 1200 |  |  |         |
| 20       | GAA26340E12 | Uniplate 1400 |  |   |         |
| 21       | GAA26340E25 | Uniplate 1200 | with Tread Finish,<br>Treadplate, Riser &<br>Complete Backside<br>Coated |  | Outdoor |
| 22       | GAA26340E26 | Uniplate 1400 |  |   |         |
| 23       | GAA26340E27 | Uniplate 1200 |  |  |         |
| 24       | GAA26340E28 | Uniplate 1400 |  |   |         |



| <b>GAA26340E</b> |                 |                                    |
|------------------|-----------------|------------------------------------|
| <b>REF. No.</b>  | <b>PART No.</b> | <b>DESCRIPTION</b>                 |
| 25               | GO455H1         | Demarcation Insert                 |
| 26               | ---             | Spring Nut – (52175) 4x per Insert |