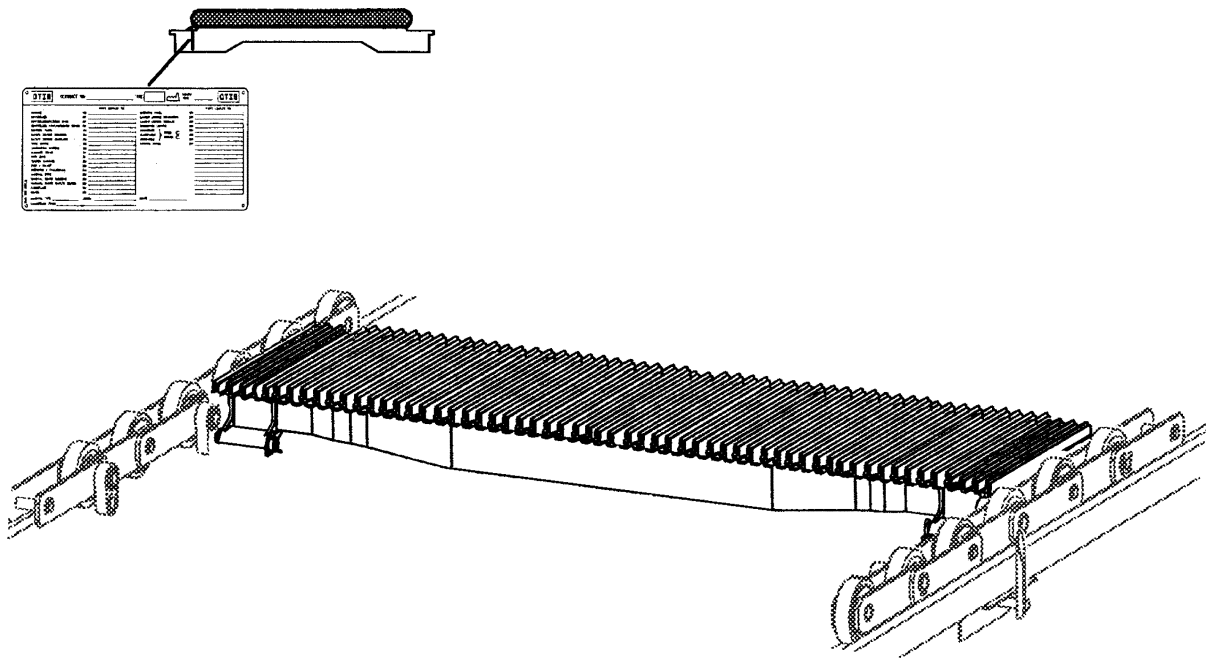


# Trav-O-Lator<sup>®</sup> NCT: Uniplate

**Spare Parts Leaflet**

**53-GAA26340H**

**July 1, 2003 / Page 1 of 15**



# OTIS

**Safety First!**

**ENGINEERING**  
Otis Escalator Systems  
Stadthagen, Germany

**Leaflet Description****Leaflet Revisions**

<b>Date Revised</b>	<b>Subject Matter Expert</b>	<b>Reason for Revision</b>
July 1, 2003	Wilfried Gohlke	New SPL
---	---	---

**Related Drawings**

<b>Drawing No.</b>	<b>Title</b>	<b>Drawing No.</b>	<b>Title</b>
GAA26340H	Uniplate	GAA455BN	Uniplate (cast model)
---	---	---	---

**Related Documents**

<b>Document ID</b>	<b>Title</b>
---	---
---	---

**Subject Matter Expert**

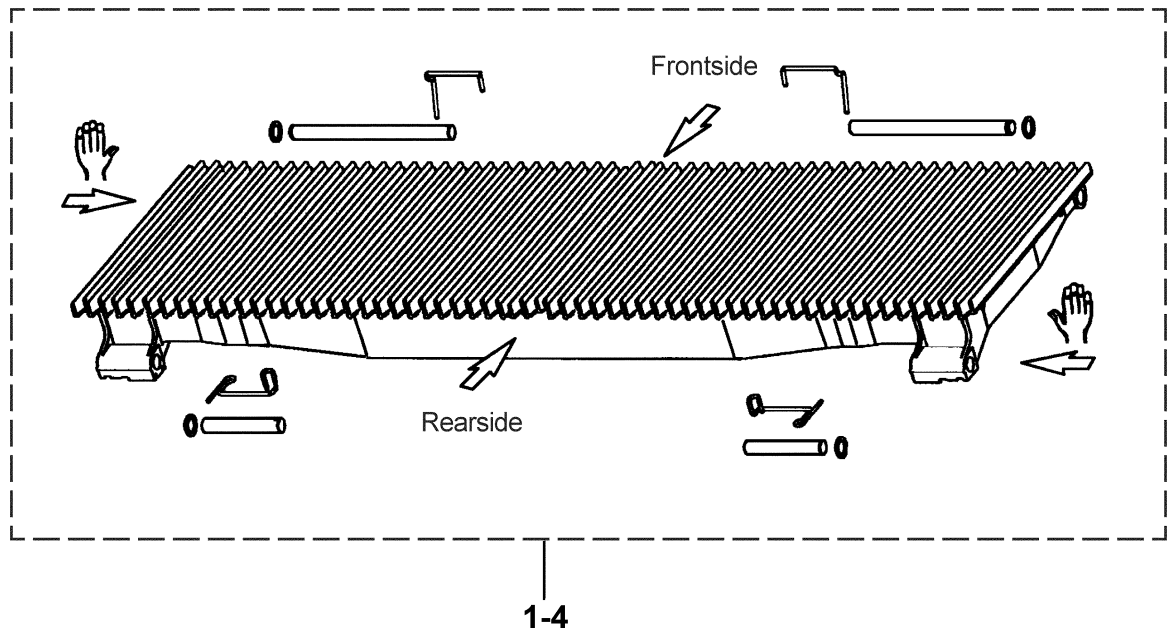
<b>Name</b>	<b>Department</b>
Wilfried Gohlke	Engineering, Stadthagen, Germany


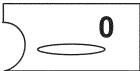
**About Spare Parts Leaflets...**

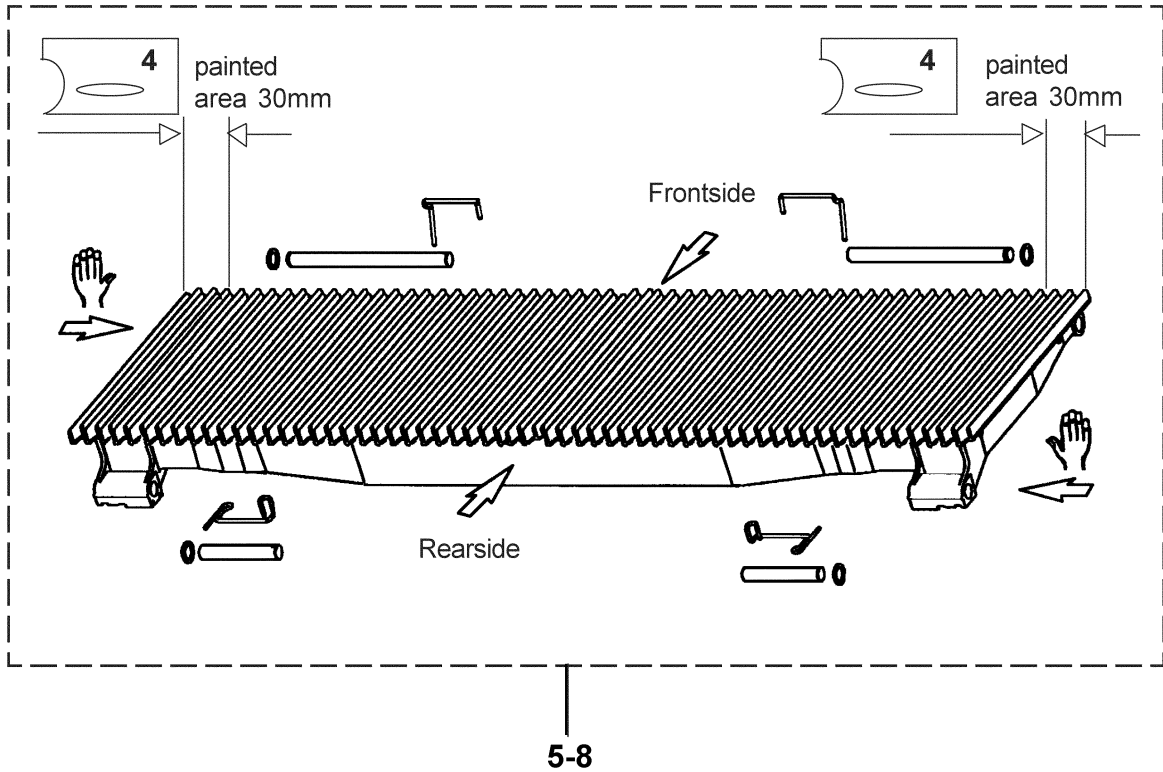
This document lists the lowest replaceable units (LRUs) for the standard version of the product. The LRUs are chosen by a team of Otis associates representing engineering and manufacturing.

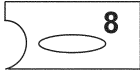

While goal of this document is to make parts identification as easy as possible, the document cannot be all-inclusive. Elevator and escalator contracts classified as "special" or "custom" are not addressed here. For such contracts, please refer to specified information, the contract folder, TIPs, Field Education Articles, Construction Letters, etc. for further information.

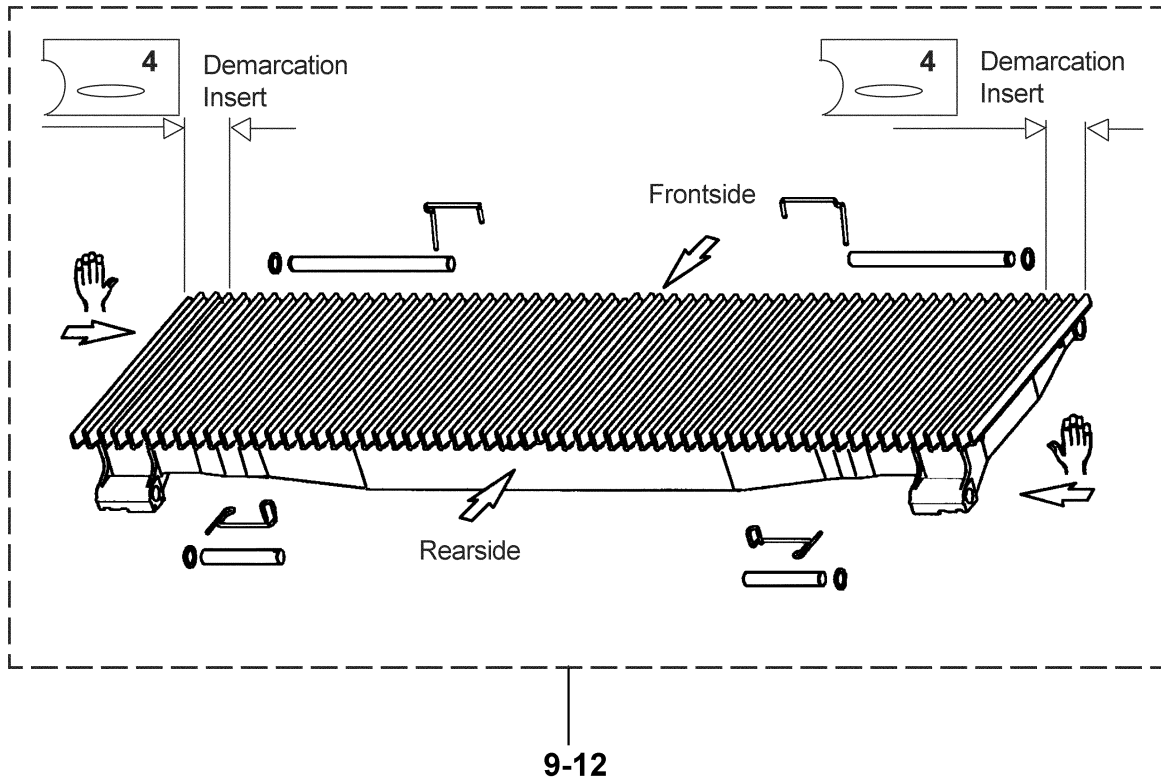
If you have any suggestions about this document, please contact the subject matter expert listed on this page.

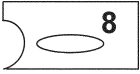



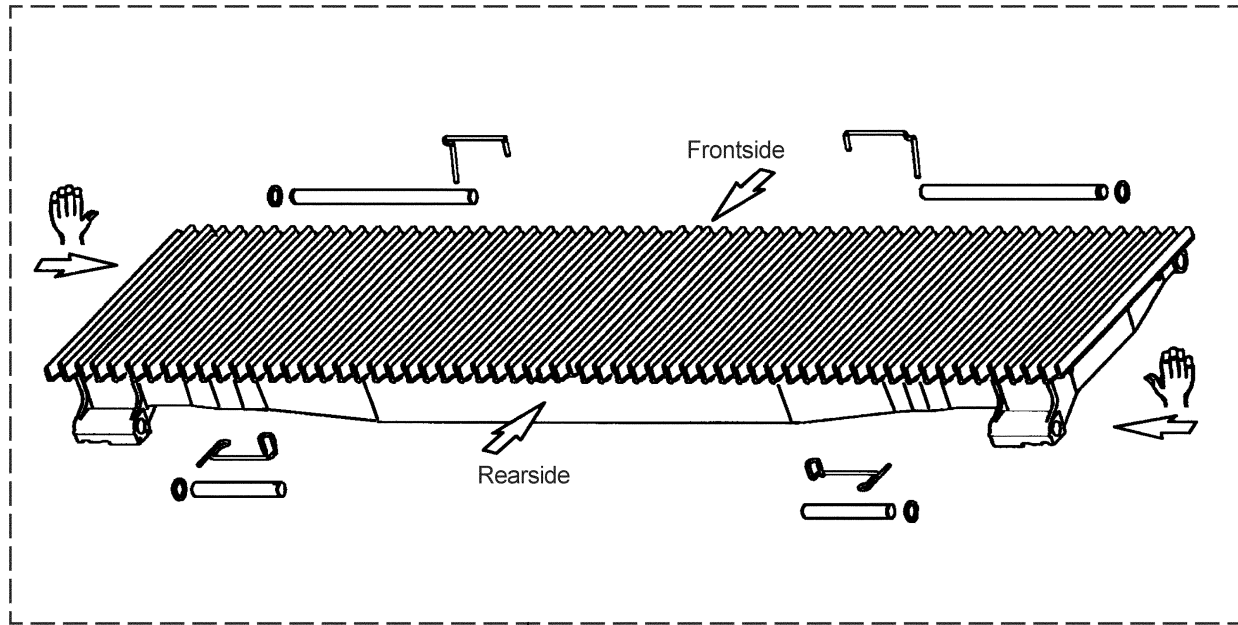
GAA26340H					
REF. No.	PART No.	DESCRIPTION	TREAD SURFACE	COLOR	LOCATED
1	GAA26340H1	Uniplate 1000 / 48"	with Tread Finish, Treadplate & Riser Coated		Indoor
2	GAA26340H3	Uniplate 800 / 40"			
3	GAA26340H2	Uniplate 1000 / 48"			
4	GAA26340H4	Uniplate 800 / 40"			




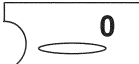
GAA26340H					
REF. No.	PART No.	DESCRIPTION	TREAD SURFACE	COLOR	LOCATED
5	GAA26340H5	Uniplate 1000 / 48"	with Tread Finish, Treadplate & Riser Coated		Indoor
6	GAA26340H6	Uniplate 800 / 40"			
7	GAA26340H7	Uniplate 1000 / 48"			
8	GAA26340H8	Uniplate 800 / 40"			

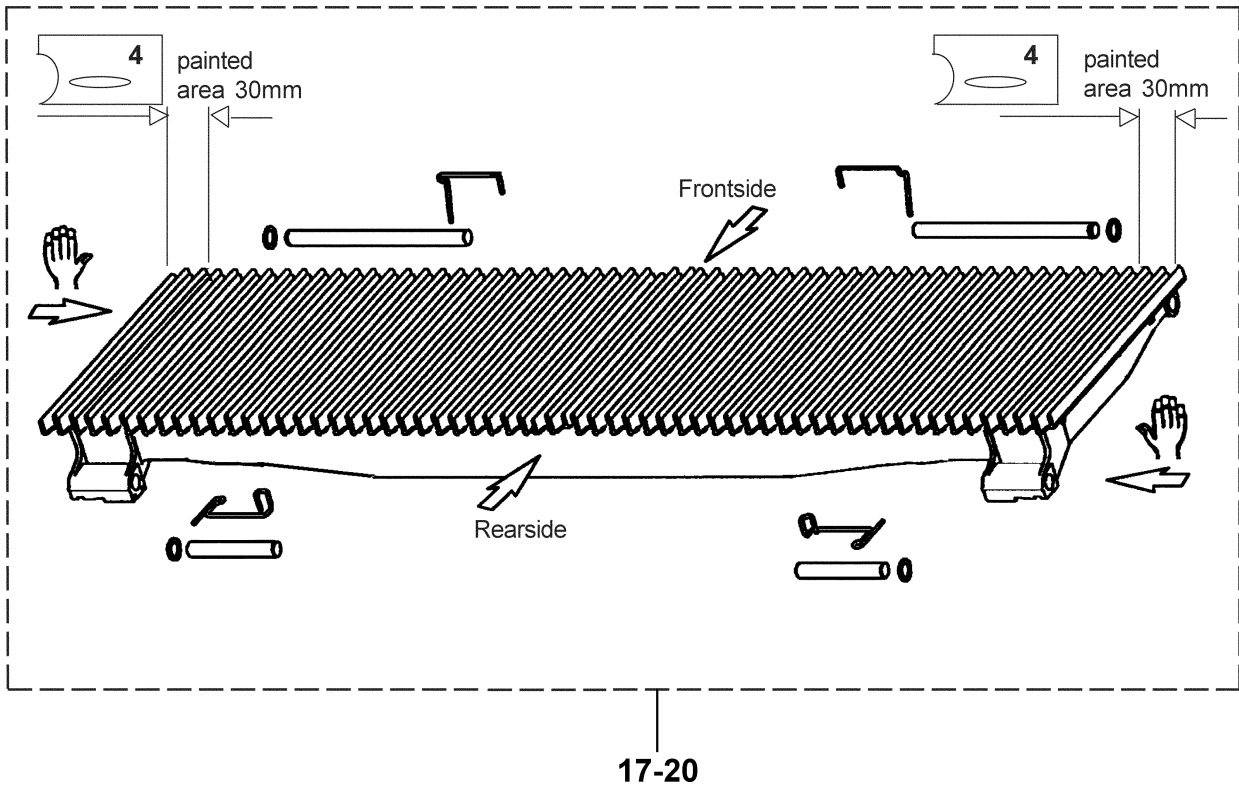


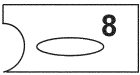
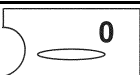
GAA26340H					
REF. No.	PART No.	DESCRIPTION	TREAD SURFACE	COLOR	LOCATED
9	GAA26340H9	Uniplate 1000 / 48"	with Tread Finish, Treadplate & Riser Coated		Indoor
10	GAA26340H10	Uniplate 800 / 40"			
11	GAA26340H11	Uniplate 1000 / 48"			
12	GAA26340H12	Uniplate 800 / 40"			

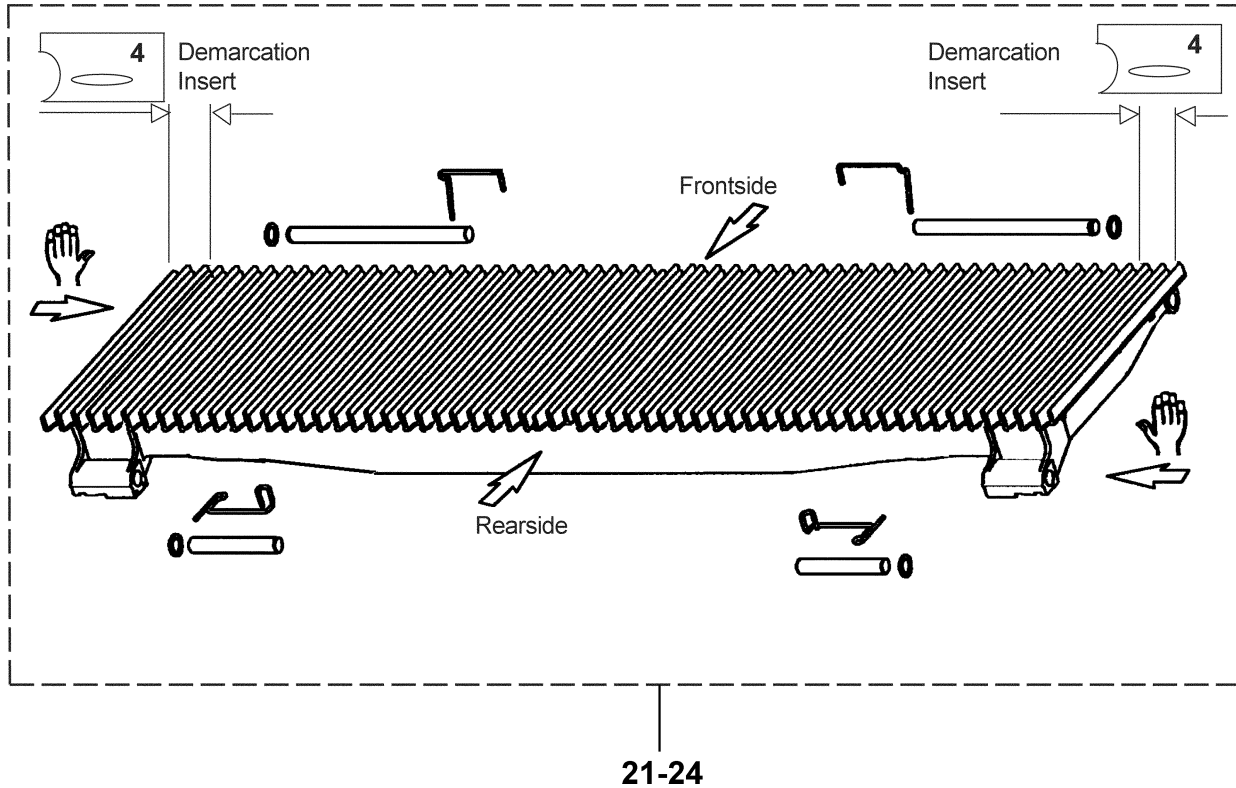


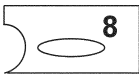

13-16

<b>GAA26340H</b>					
<b>REF. No.</b>	<b>PART No.</b>	<b>DESCRIPTION</b>	<b>TREAD SURFACE</b>	<b>COLOR</b>	<b>LOCATED</b>
13	GAA26340H13	Uniplate 1000 / 48"	with Tread Finish, Treadplate, Riser & Complete Backside Coated		Indoor
14	GAA26340H14	Uniplate 800 / 40"			
15	GAA26340H15	Uniplate 1000 / 48"			
16	GAA26340H16	Uniplate 800 / 40"			

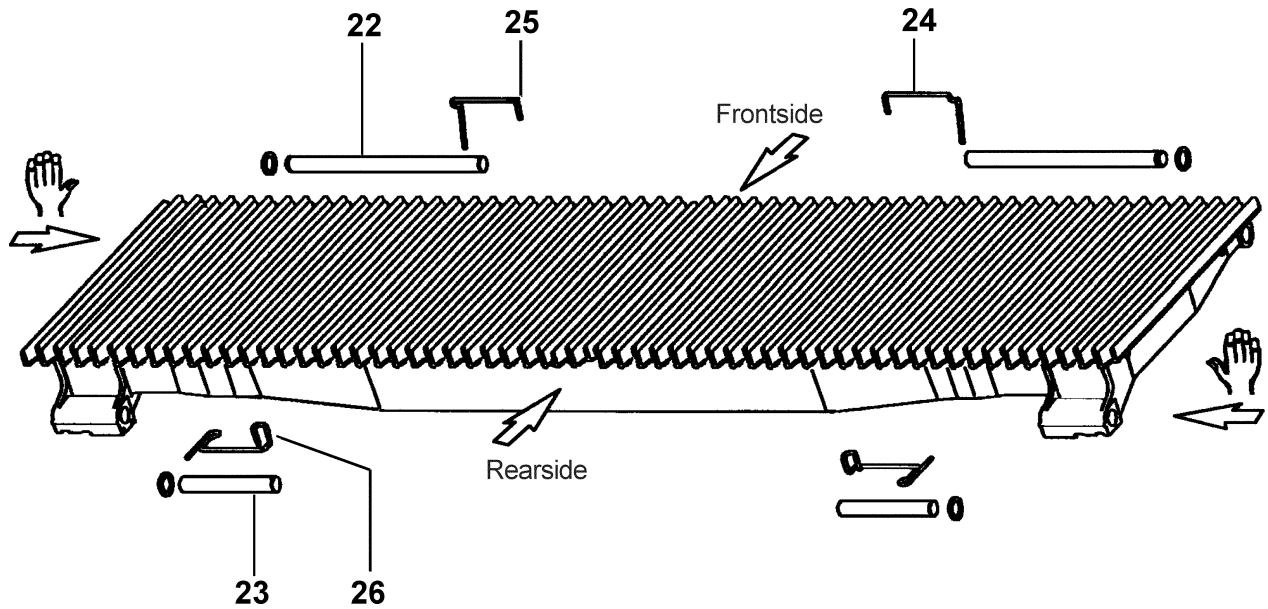


GAA26340H					
REF. No.	PART No.	DESCRIPTION	TREAD SURFACE	COLOR	LOCATED
17	GAA26340H17	Uniplate 1000 / 48"	with Tread Finish, Treadplate, Riser & Complete Backside Coated		Indoor
18	GAA26340H18	Uniplate 800 / 40"			
19	GAA26340H19	Uniplate 1000 / 48"			
20	GAA26340H20	Uniplate 800 / 40"			

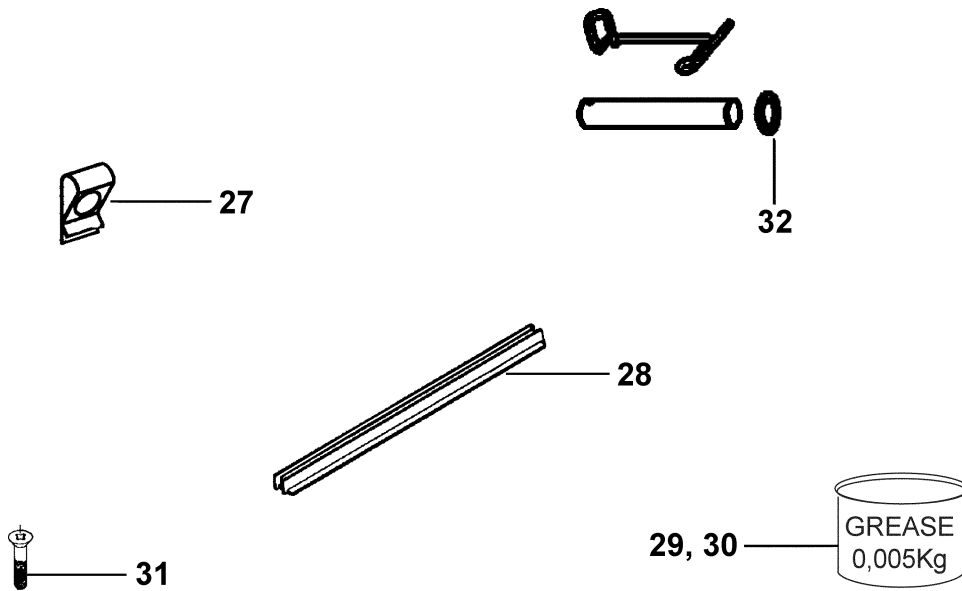


GAA26340H					
REF. No.	PART No.	DESCRIPTION	TREAD SURFACE	COLOR	LOCATED
21	GAA26340H21	Uniplate 1000 / 48"	with Tread Finish, Treadplate, Riser & Complete Backside Coated	 8	Indoor
22	GAA26340H22	Uniplate 800 / 40"			
23	GAA26340H23	Uniplate 1000 / 48"		 0	
24	GAA26340H24	Uniplate 800 / 40"			

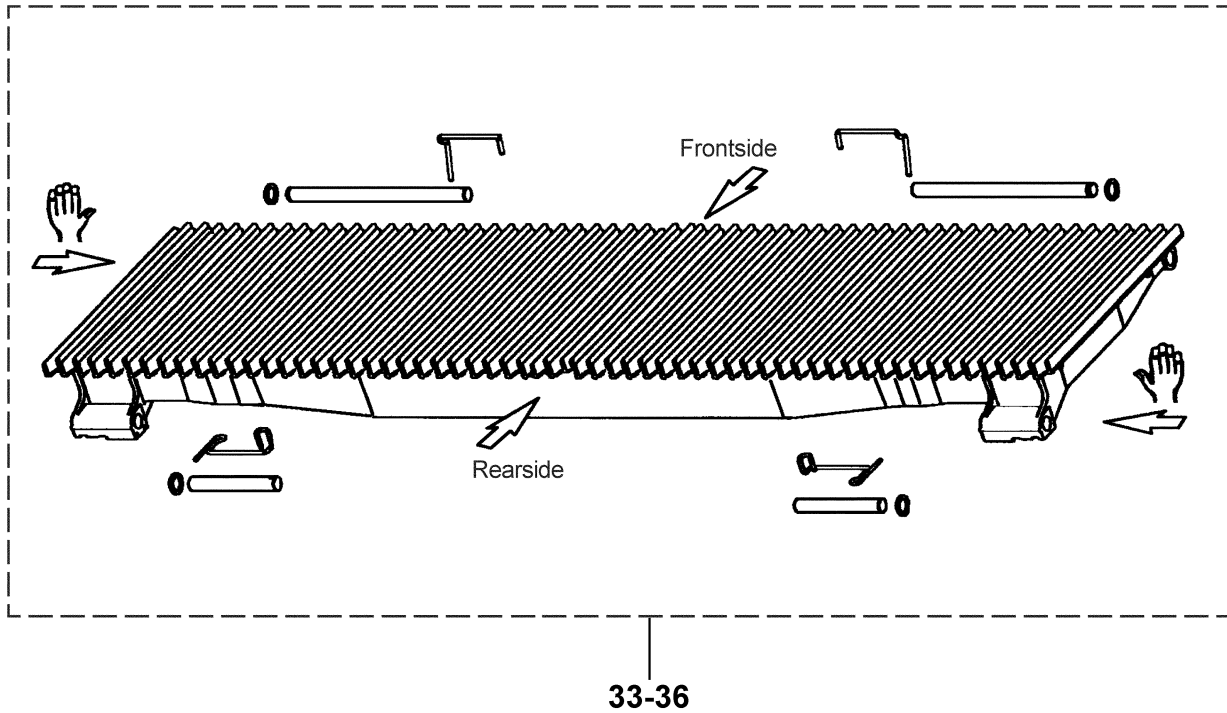


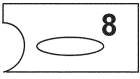
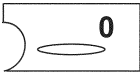


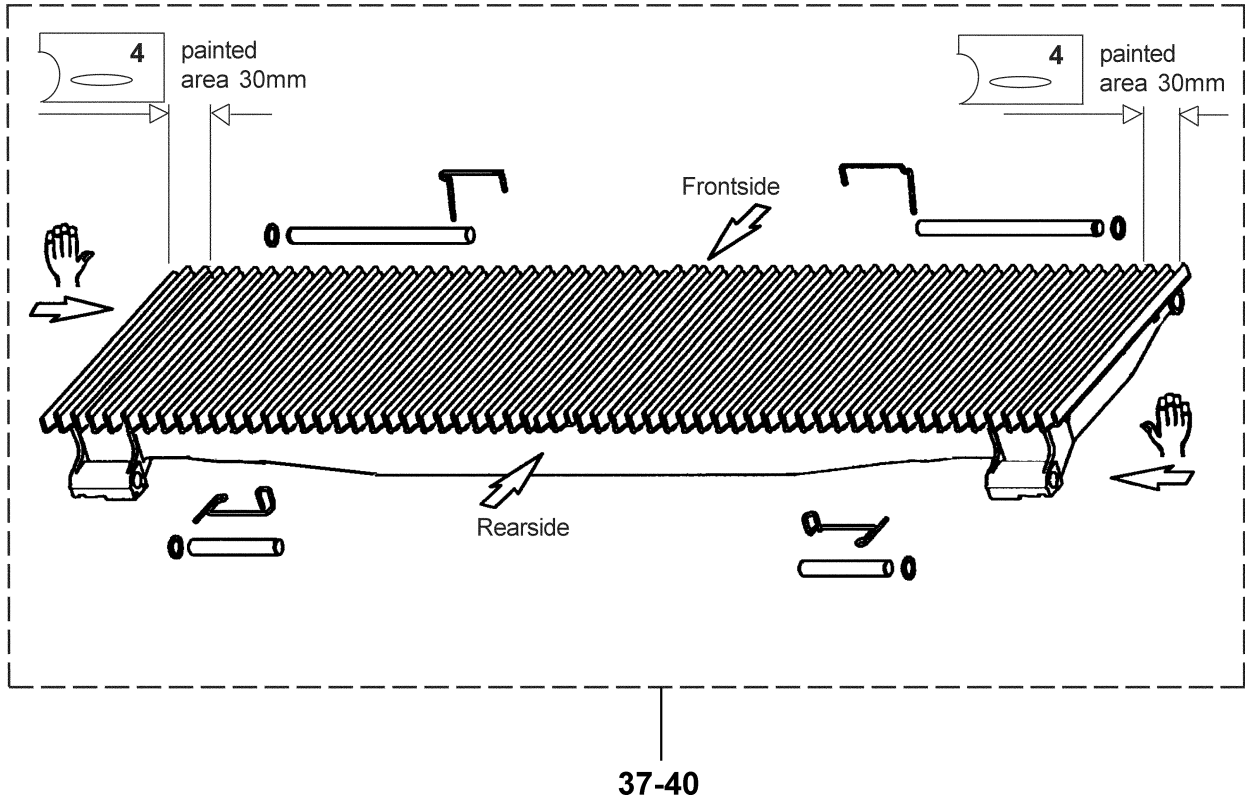
GAA26340H			
REF. No.	PART No.	DESCRIPTION	LOCATED
22	GAA81EH1	Front Pallet Axle (long)	Indoor
23	GAA81EH2	Rear Pallet Axle (short)	
24	GAA94BF1	Spring (frontside),	
25	GAA94BF2	Spring (frontside),	
26	GAA94BF3	Spring (rearside)	

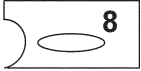
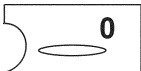


<b>GAA26340H</b>			
<b>REF. No.</b>	<b>PART No.</b>	<b>DESCRIPTION</b>	<b>LOCATED</b>
27	GAA339FP1	Clip	
28	GAA455BK1	Demarcation Insert	
29	- - -	Grease, Microlube GL262 (198697)	Indoor
30	- - -	Grease, Otis No. LO13, Staburag NB30PTM (153577)	Outdoor
31	GAA65EA1	Special Screw	
32	GAA127GF1	Washer	



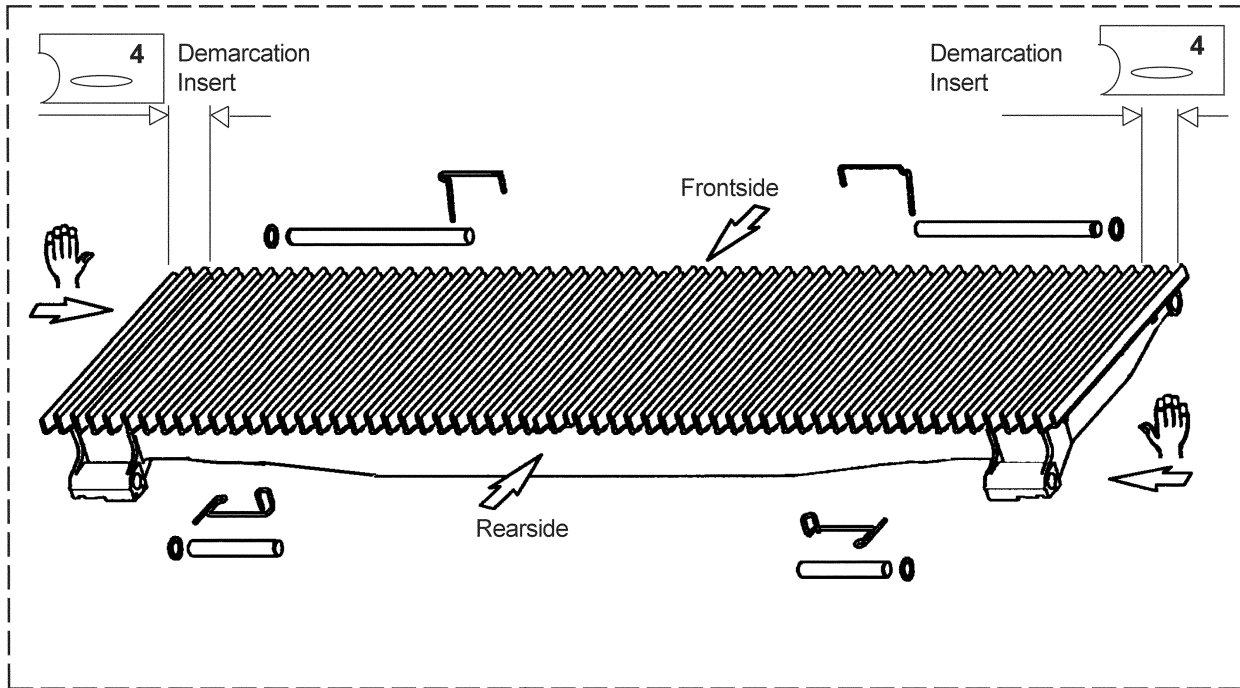
<b>GAA26340H</b>					
<b>REF. No.</b>	<b>PART No.</b>	<b>DESCRIPTION</b>	<b>TREAD SURFACE</b>	<b>COLOR</b>	<b>LOCATED</b>
33	GAA26340H25	Uniplate 1000 / 48"	with Tread Finish, Treadplate, Riser & Complete Backside Coated		Outdoor
34	GAA26340H26	Uniplate 800 / 40"			
35	GAA26340H27	Uniplate 1000 / 48"			
36	GAA26340H28	Uniplate 800 / 40"			



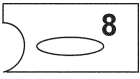
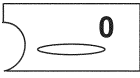
GAA26340H					
REF. No.	PART No.	DESCRIPTION	TREAD SURFACE	COLOR	LOCATED
37	GAA26340H29	Uniplate 1000 / 48"	with Tread Finish, Treadplate, Riser & Complete Backside Coated		Outdoor
38	GAA26340H30	Uniplate 800 / 40"			
39	GAA26340H31	Uniplate 1000 / 48"			
40	GAA26340H32	Uniplate 800 / 40"			

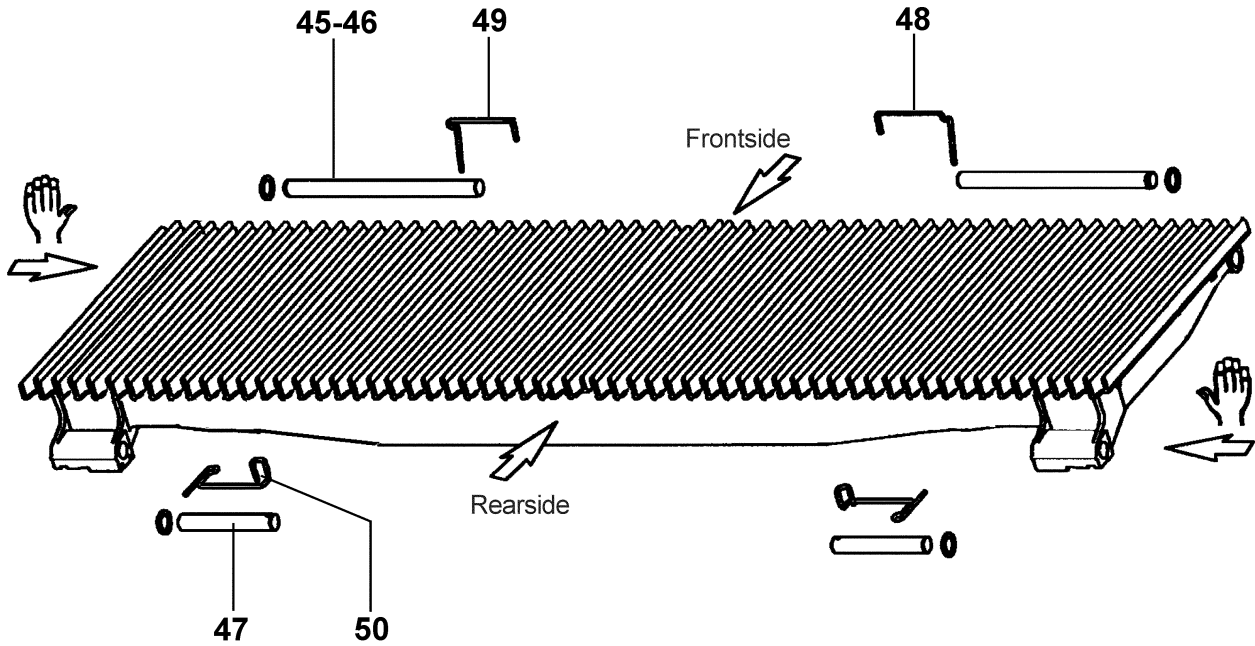
# Trav-O-Lator<sup>®</sup> NCT: Uniplate



**53-GAA26340H**

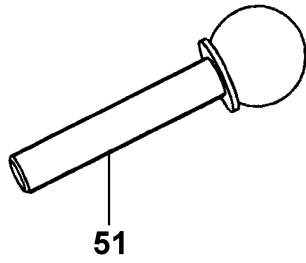


41-44

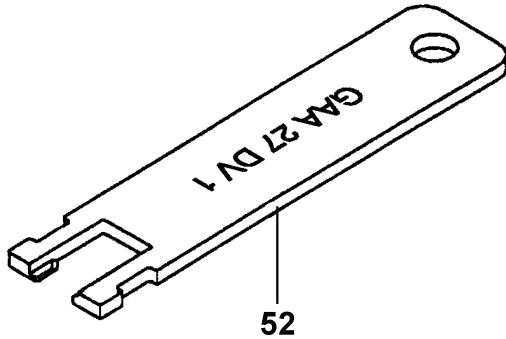
<b>GAA26340H</b>					
<b>REF. No.</b>	<b>PART No.</b>	<b>DESCRIPTION</b>	<b>TREAD SURFACE</b>	<b>COLOR</b>	<b>LOCATED</b>
41	GAA26340H33	Uniplate 1000 / 48"	with Tread Finish, Treadplate, Riser & Complete Backside Coated		Outdoor
42	GAA26340H34	Uniplate 800 / 40"			
43	GAA26340H35	Uniplate 1000 / 48"			
44	GAA26340H36	Uniplate 800 / 40"			



<b>GAA26340H</b>			
<b>REF. No.</b>	<b>PART No.</b>	<b>DESCRIPTION</b>	<b>LOCATED</b>
45	GAA81EH4	Front Pallet Axle (long) w/ Lubrication Nipple	Outdoor
46	GAA81EH5	Rear Pallet Axle (short) w/o Lubrication Nipple	
47	GAA81EH6	Rear Pallet Axle (short)	
48	GAA94BF1	Spring (frontside), 	
49	GAA94BF2	Spring (frontside), 	
50	GAA94BF3	Spring (rearside)	



51



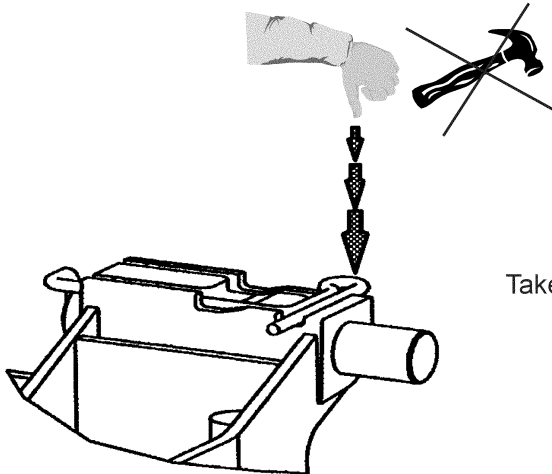
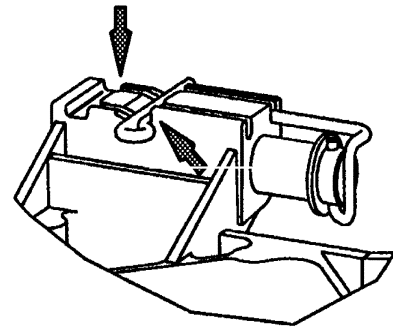
52

**GAA26340H**

REF. No.	PART No.	DESCRIPTION
51	GAA27DT1	Tool for Pallet Dismantling
52	GAA27DV1	Tool for assembly of the Last pallet



Do not use Pallets with damaged Spring Grooves, **replace**.



Take care of correct Position of Springs.