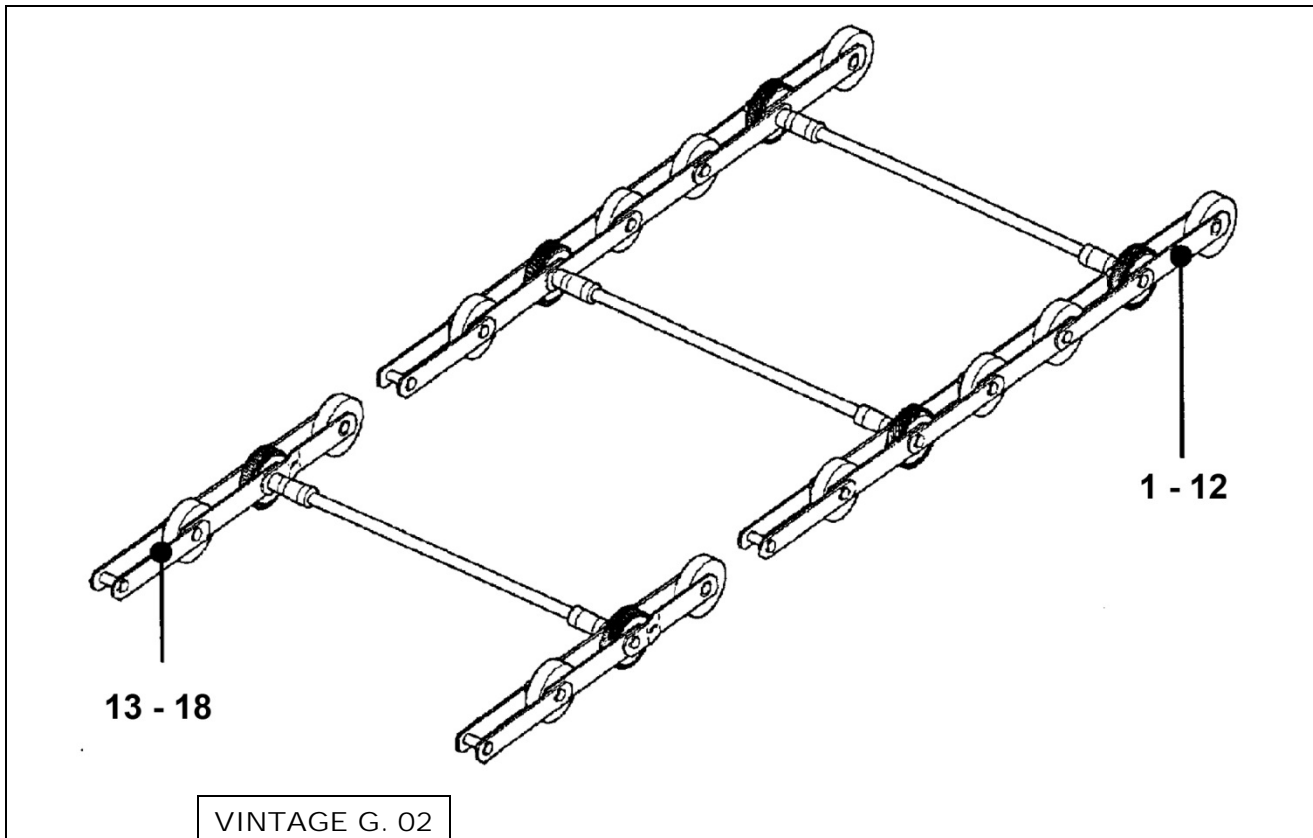


54-9704GY

Escalator Step Chain 510/513 NPE:

Oil-Lubricated, Bolt Ø 15 mm



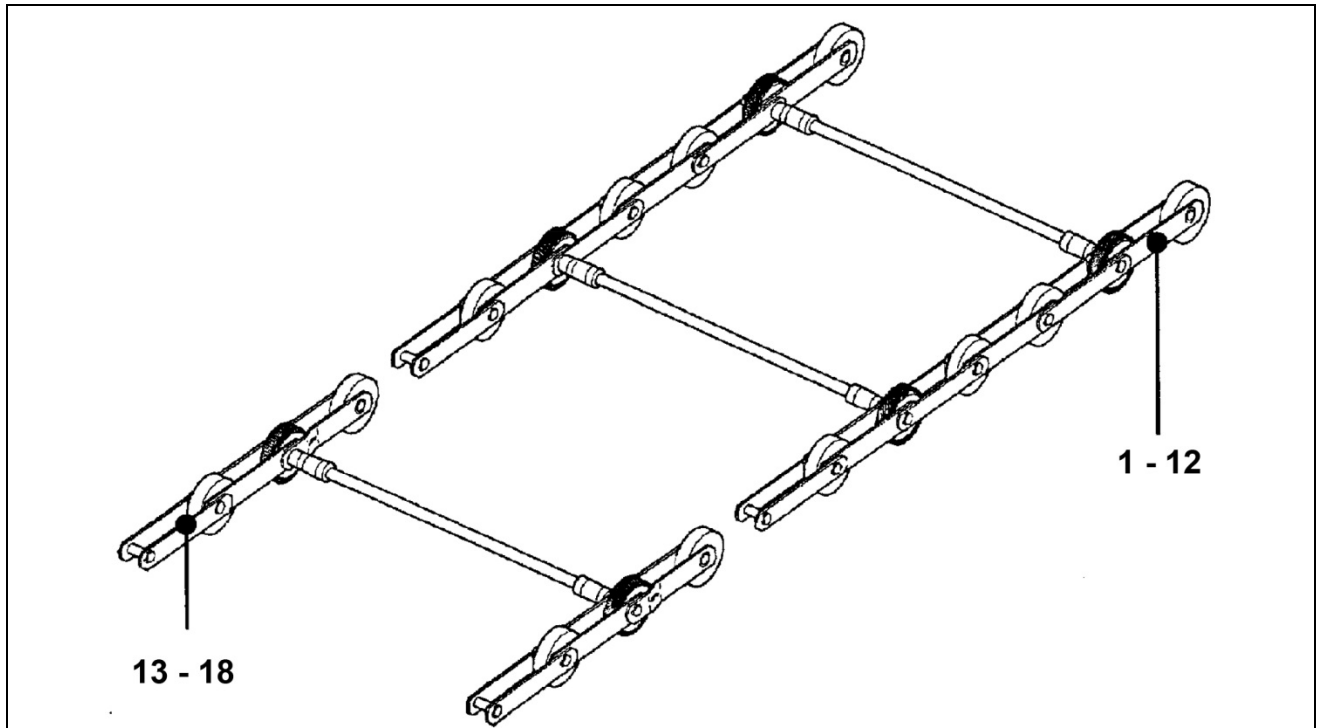
VINTAGE G. 02		
REF. No.	PART No.	DESCRIPTION
1	A9704GY1 GBA26150AC1	2-Fold Unit, 32" / 600
2	A9704GY2 GBA26150AC2	2-Fold Unit, 40" / 800
3	A9704GY3 GBA26150AC3	2-Fold Unit, 48" / 1000
4	9704GY5 A9704GY4 GBA26150AC10	2-Fold Unit, 32" / 600
5	9704GY6 A9704GY5 GBA26150AC11	2-Fold Unit, 40" / 800
6	9704GY8 A9704GY6 GBA26150AC12	2-Fold Unit, 48" / 1000
7	A9704GY7 GBA26150AC4	10-Fold Unit 32" / 600
8	A9704GY8 GBA26150AC5	10-Fold Unit 40" / 800
9	A9704GY9 GBA26150AC6	10-Fold Unit 48" / 1000

(Continued on next page)

Escalator Step Chain 510/513 NPE:

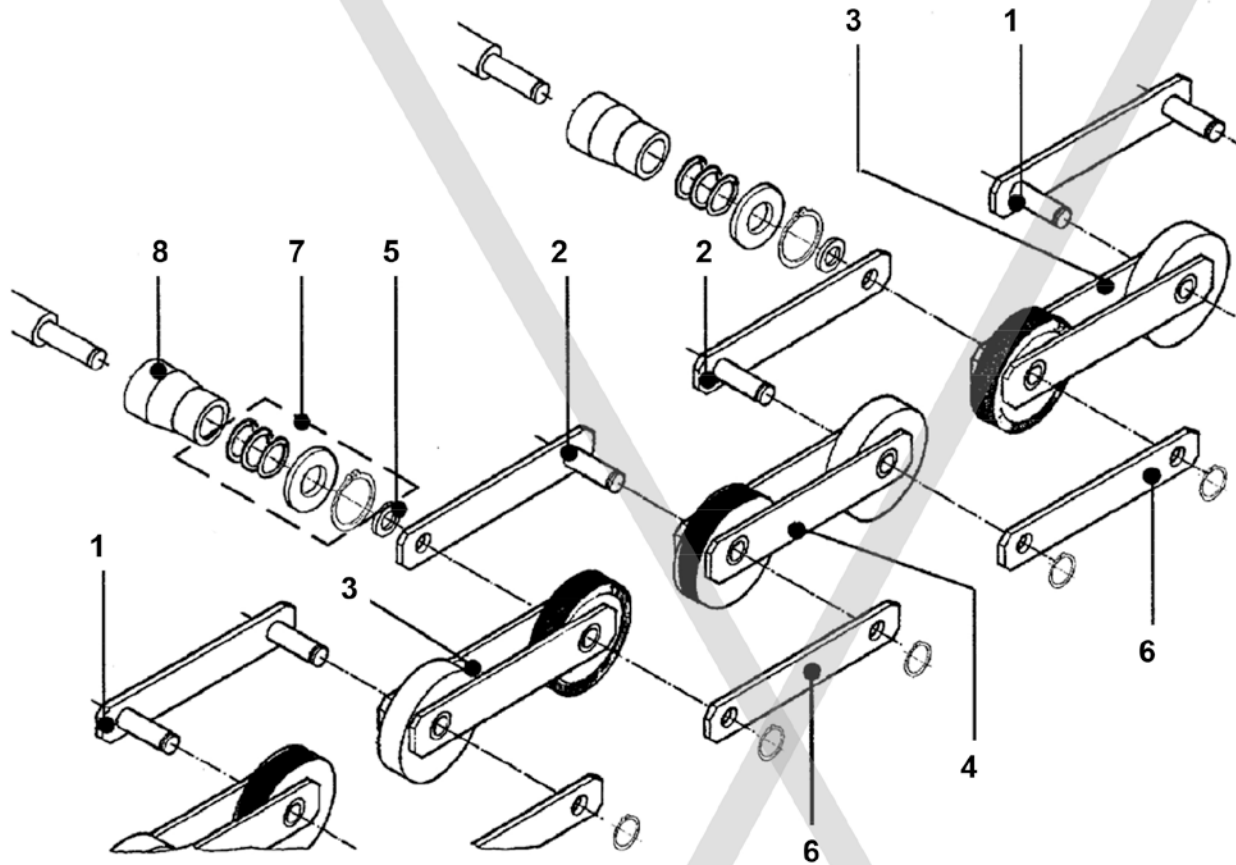
54-9704GY

Oil-Lubricated, Bolt \varnothing 15 mm



VINTAGE G. 02			
REF. No.	PART No.	DESCRIPTION	
10	9704GY13 A9704GY10 GBA26150AC13	10-Fold Unit 32" / 600	Outdoor
11	9704GY14 A9704GY11 GBA26150AC14	10-Fold Unit 40" / 800	
12	9704GY16 A9704GY12 GBA26150AC15	10-Fold Unit 48" / 1000	
13	A9704GY41 GBA26150AC7	Offset Link 32" / 600	Indoor
14	A9704GY42 GBA26150AC8	Offset Link 40" / 800	
15	A9704GY43 GBA26150AC9	Offset Link 48" / 1000	
16	9704GY37 A9704GY44 GBA26150AC16	Offset Link 32" / 600	Outdoor
17	9704GY38 A9704GY45 GBA26150AC17	Offset Link 40" / 800	
18	9704GY40 A9704GY46 GBA26150AC18	Offset Link 48" / 1000	

See Page 2



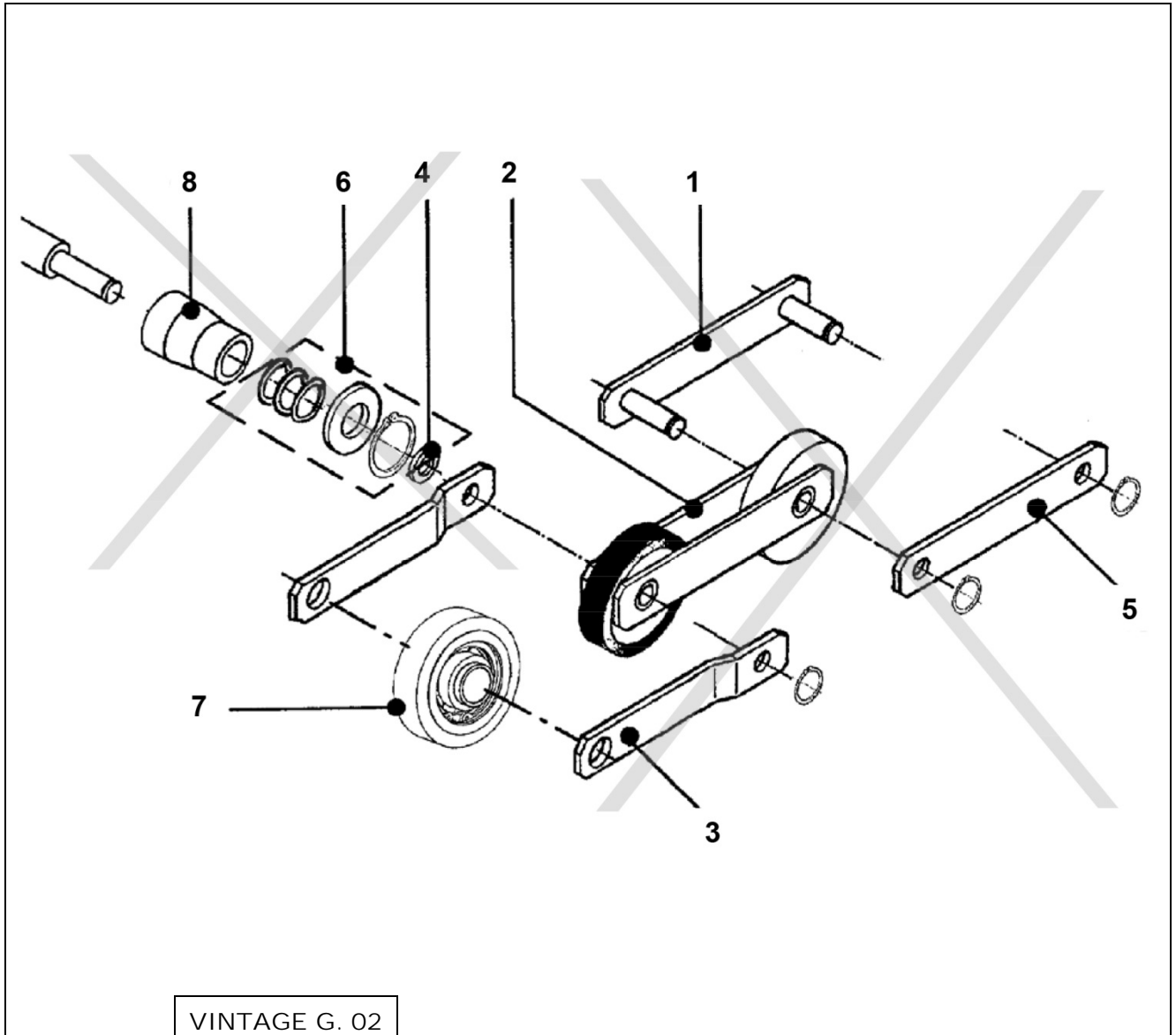
VINTAGE G. 02

REF. No.	PART No.	DESCRIPTION
1	GO9704BH4	Outer Link w/Pins & Retaining Rings
2	GO9704BH2	Outer Link w/Pin & Retaining Ring
3	GO9704BG4	Inner Link w/Rollers
	GOA9704BG4	
4	GO9704BF4	Inner Link w/Rollers
5	GO462CH1	Washer
6	GO430DF1	Outer Link
7	GO2215B70	Hardware
8	GX210AL500	Bushing

Escalator Step Chain 510/513 NPE:

54-9704GY

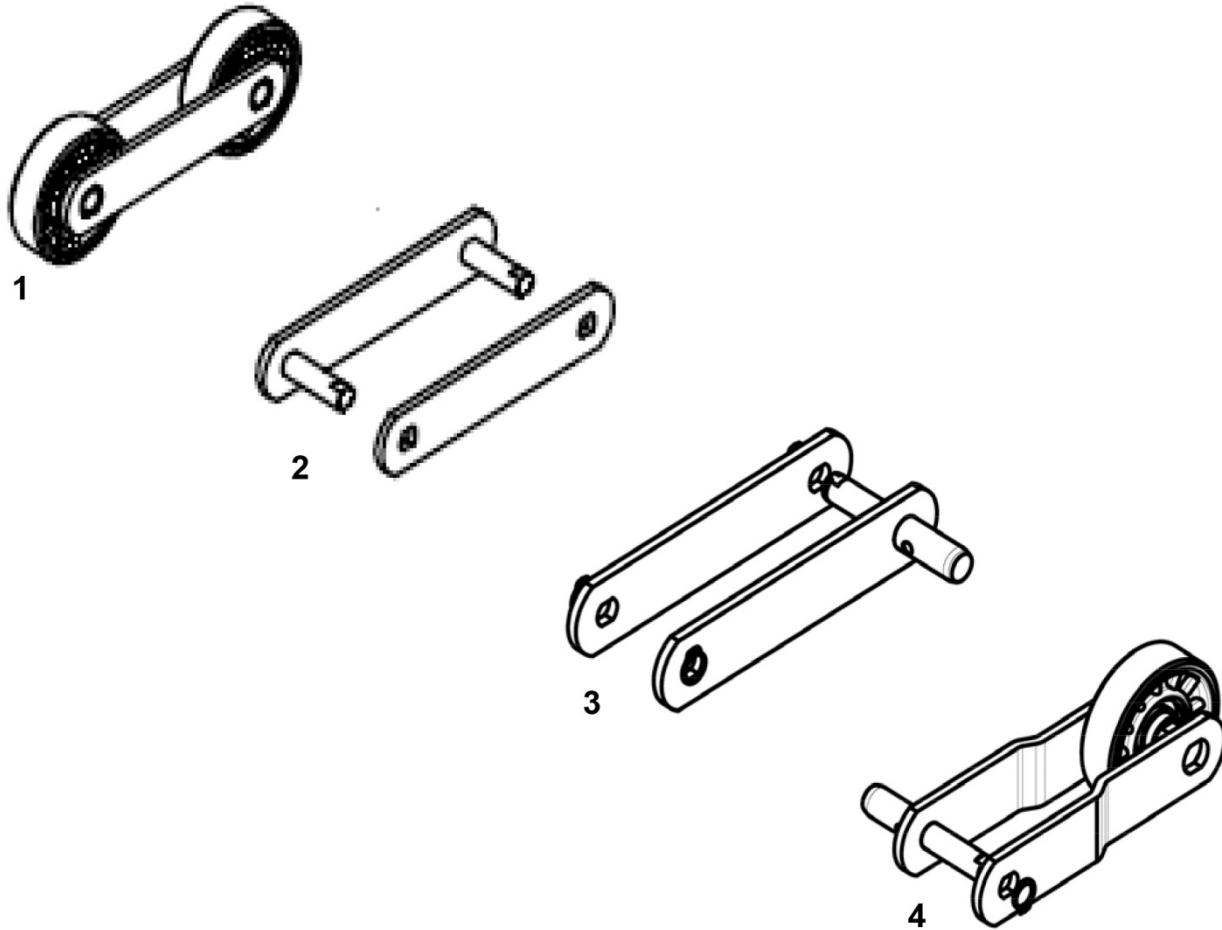
Oil-Lubricated, Bolt \varnothing 15 mm



VINTAGE G. 02		
REF. No.	PART No.	DESCRIPTION
1	GO9704BH4	Outer Link w/Pins & Retaining Rings (See page 2)
2	GO9704BG4	Inner Link w/Rollers (See page 2)
	GOA9704BG4	
3	GO430DF7	Connecting Link (See page 2)
4	GO462CH4	Washer (See page 2)
5	GO430DF4	Outer Link (See page 2)
6	GO2215B70	Hardware (See page 2)
7	GO290AJ8	Roller. Use with 9704GY
8	GX210AL500	Bushing (See page 2)

54-9704GY

Escalator Step Chain 510/513 NPE:
Oil-Lubricated, Bolt \varnothing 15 mm



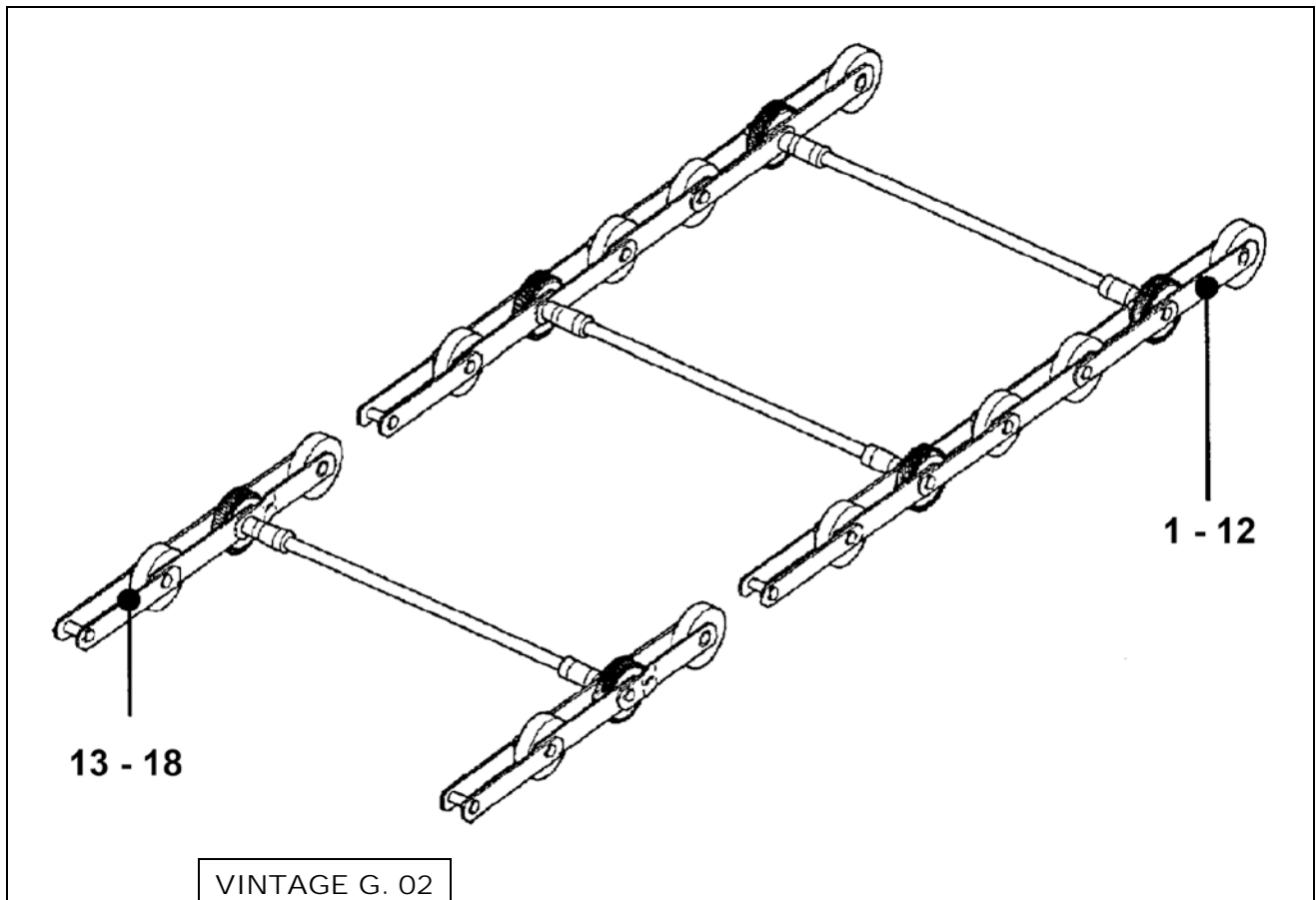
W → **G..26150AC**

VINTAGE G. 02		
REF. No.	PART No.	DESCRIPTION
1	GBA26150AC19	Inner Link
2	GBA26150AC20	Outer Link
3	GBA26150AC21	Outer Link Axle
4	GBA26150AC23	Offset Link

Escalator Step Chain 510/513 NPE:

54-9704GY

Oil-Lubricated, Bolt \varnothing 20 mm

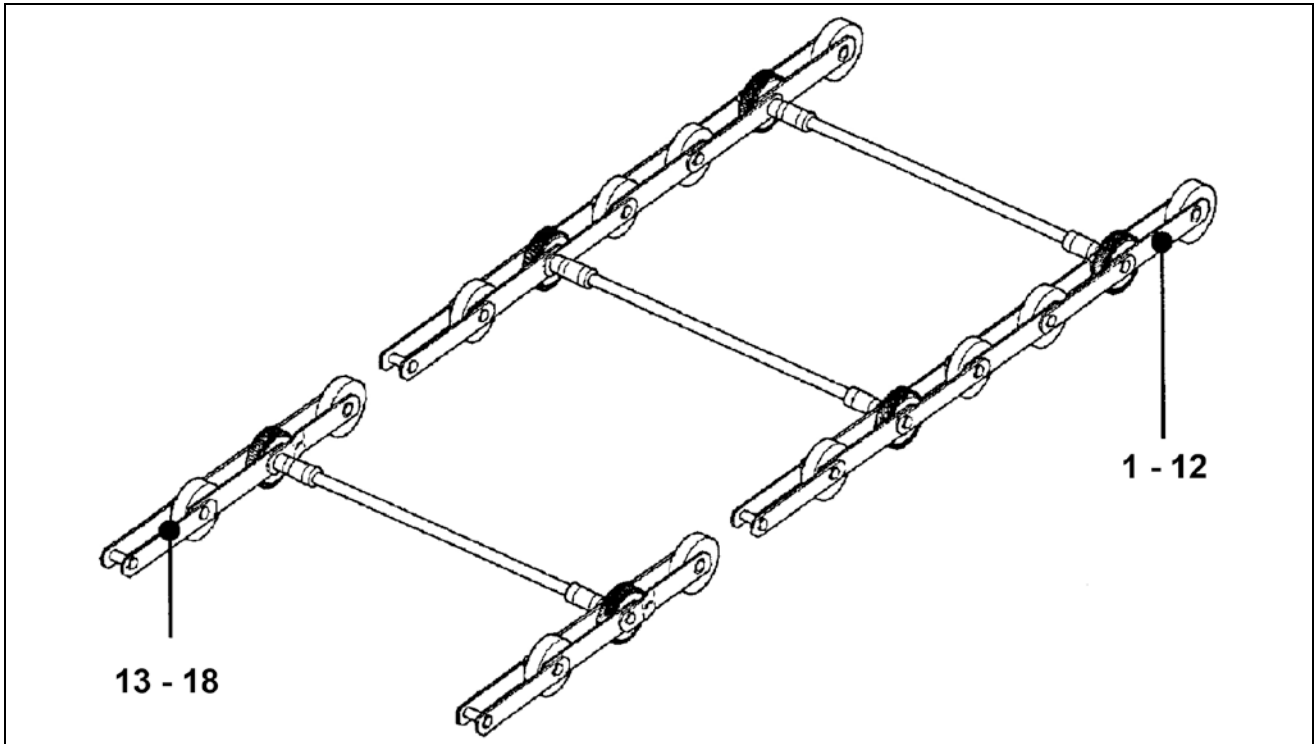


VINTAGE G. 02			
REF. No.	PART No.	DESCRIPTION	
1	A9704GY13 GBA26150AD1	2-Fold Unit, 32" / 600	Indoor
2	A9704GY14 GBA26150AD2	2-Fold Unit, 40" / 800	
3	A9704GY15 GBA26150AD3	2-Fold Unit, 48" / 1000	
4	9704GY53 A9704GY16 GBA26150AD10	2-Fold Unit, 32" / 600	Outdoor
5	9704GY54 A9704GY17 GBA26150AD11	2-Fold Unit, 40" / 800	
6	9704GY56 A9704GY18 GBA26150AD12	2-Fold Unit, 48" / 1000	
7	A9704GY19 GBA26150AD4	10-Fold Unit, 32" / 600	Indoor
8	A9704GY20 GBA26150AD5	10-Fold Unit, 40" / 800	
9	A9704GY24 GBA26150AD6	10-Fold Unit, 48" / 1000	

(Continued on next page)

54-9704GY

Escalator Step Chain 510/513 NPE:
Oil-Lubricated, Bolt Ø 20 mm

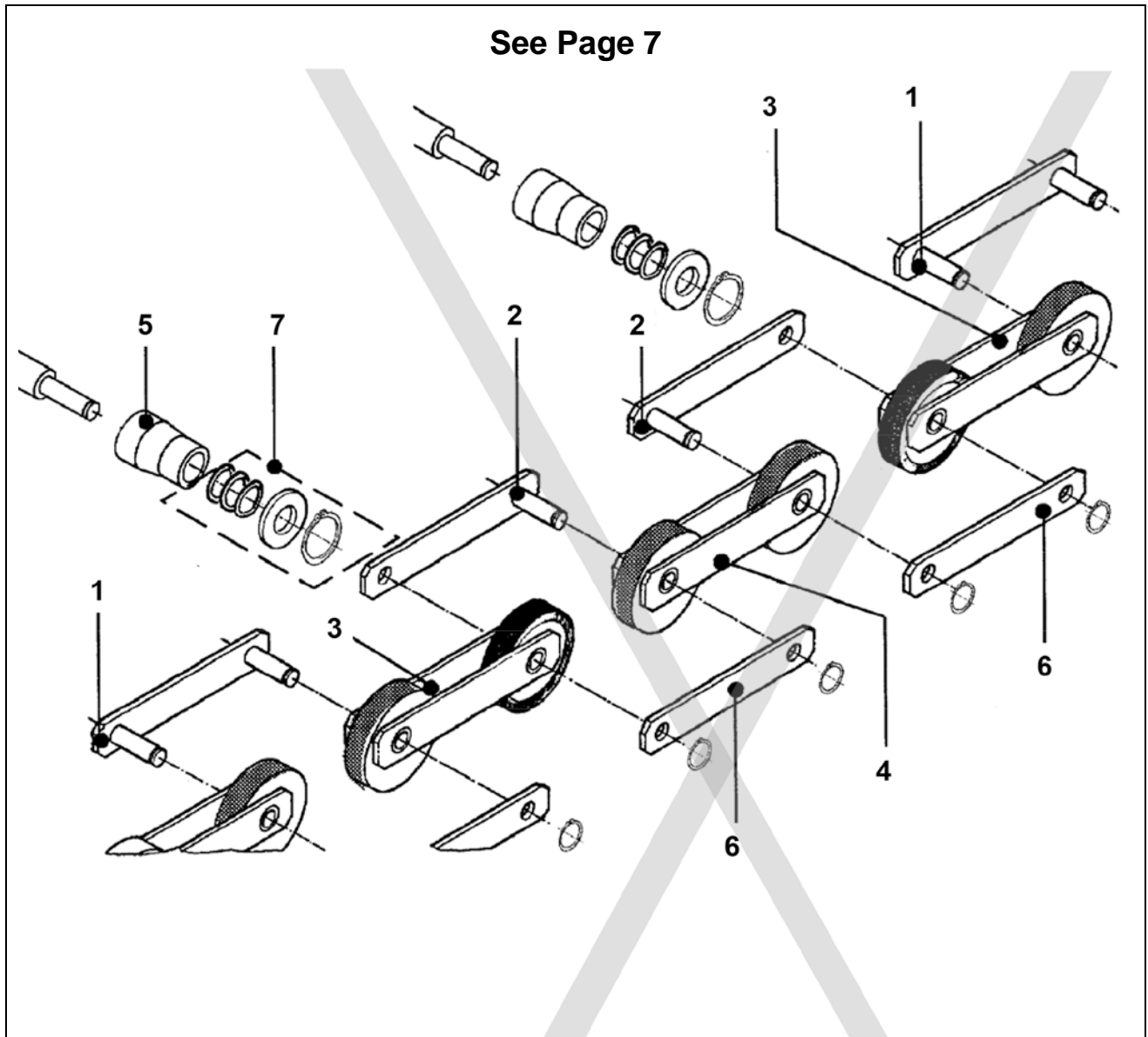


VINTAGE G. 02			
REF. No.	PART No.	DESCRIPTION	
10	9704GY161 A9704GY22 GBA26150AD13	10-Fold Unit, 32" / 600	Outdoor
11	9704GY162 A9704GY23 GBA26150AD14	10-Fold Unit, 40" / 800	
12	9704GY64 A9704GY24 GBA26150AD15	10-Fold Unit, 48" / 1000	
13	A9704GY47 GBA26150AD7	Offset Link, 32" / 600	Indoor
14	A9704GY48 GBA26150AD8	Offset Link, 40" / 800	
15	A9704GY49 GBA26150AD9	Offset Link, 48" / 1000	
16	9704GY85 A9704GY50 GBA26150AD16	Offset Link, 32" / 600	Outdoor
17	9704GY86 A9704GY51 GBA26150AD17	Offset Link, 40" / 800	
18	9704GY88 A9704GY52 GBA26150AD18	Offset Link, 48" / 1000	

Escalator Step Chain 510/513 NPE:

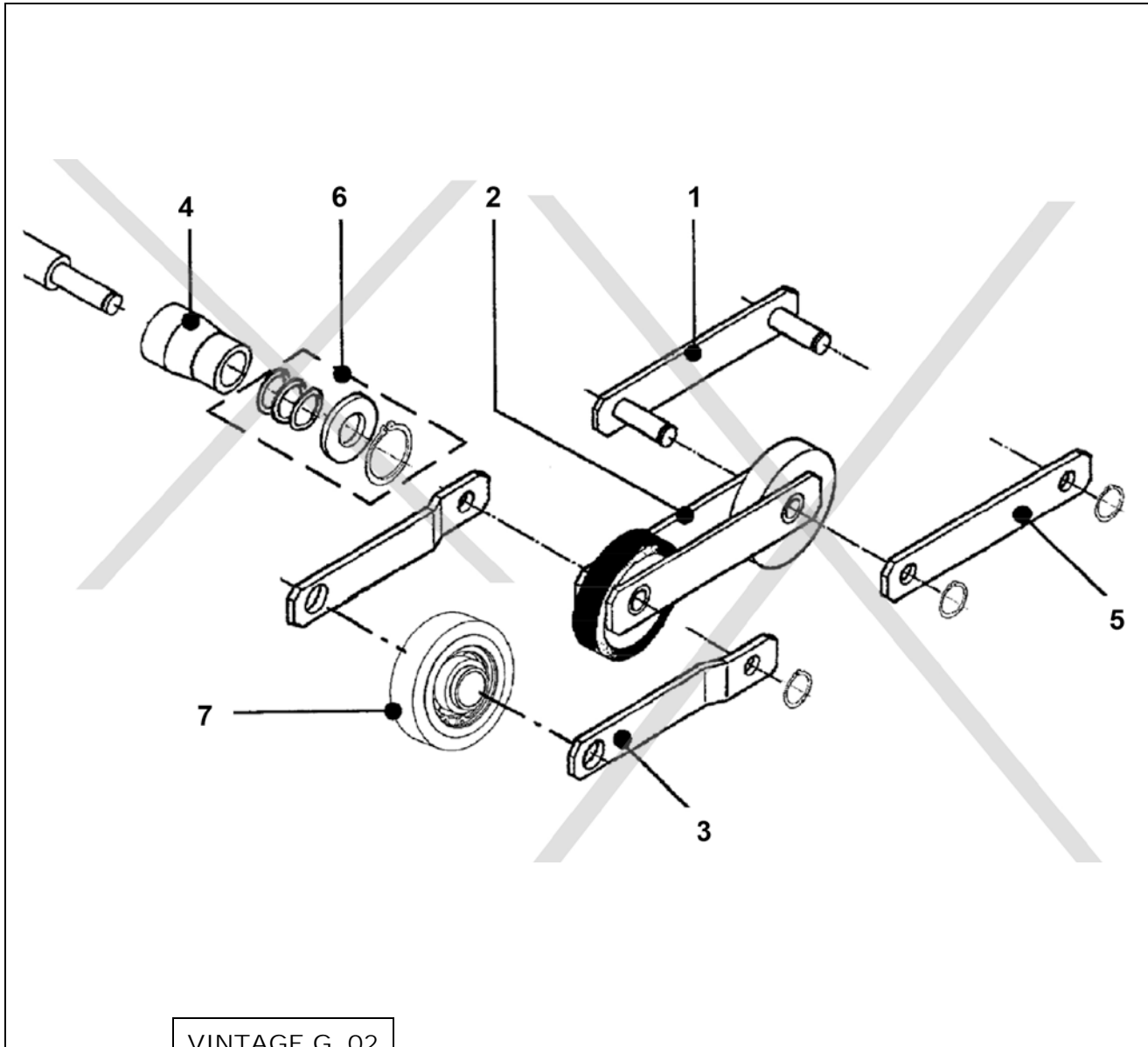
54-9704GY

Oil-Lubricated, Bolt \varnothing 20 mm



VINTAGE G. 02		
REF. No.	PART No.	DESCRIPTION
1	GO9704BH5	Outer Link w/Pins & Retaining Rings
2	GO9704BH6	Outer Link w/Pin & Retaining Ring
3	GO9704BG2 GOA9704BG2	Inner Link w/Rollers
4	GO9704BF2	Inner Link w/Rollers
5	GO210AL500	Bushing
6	GO430DF3	Outer Link
7	GO2215B70	Hardware

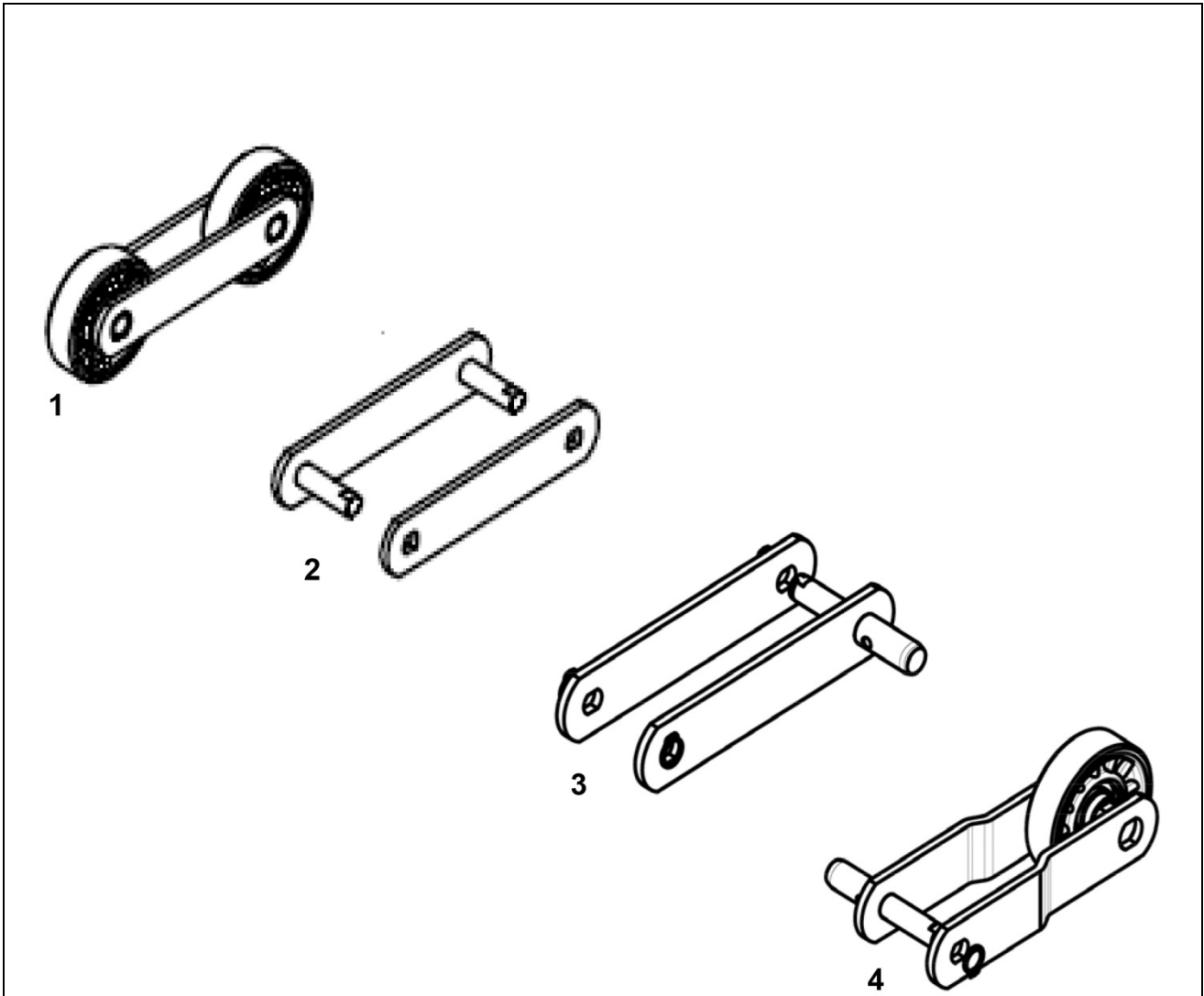
Escalator Step Chain 510/513 NPE:
Oil-Lubricated, Bolt \varnothing 20 mm



VINTAGE G. 02

REF. No.	PART No.	DESCRIPTION
1	GO9704BH5	Outer Link w/Pins & Retaining Rings (See page 7)
2	GO9704BG2	Inner Link w/Rollers (See page 7)
	GOA9704BG2	
3	GO430DF8	Connecting Link (See page 7)
4	GX210AL500	Bushing (See page 7)
5	GO430DF3	Outer Link (See page 7)
6	GO2215B70	Hardware (See page 7)
7	GO290AJ8	Roller. Use with 9704GY.

Oil-Lubricated, Bolt \varnothing 20 mm

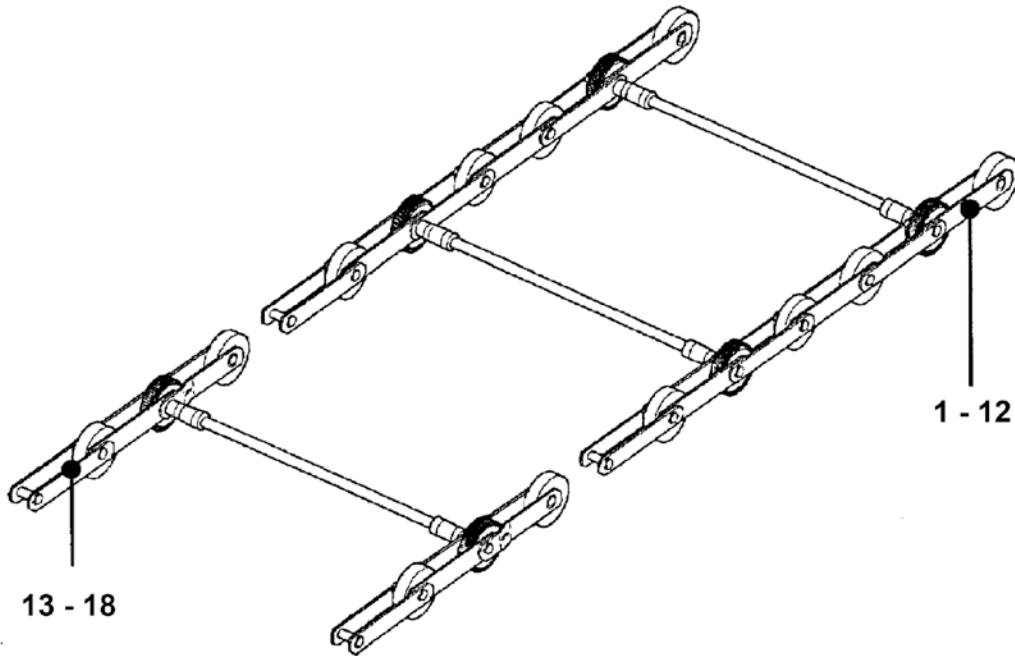


W → G..26150AD

VINTAGE G. 02		
REF. No.	PART No.	DESCRIPTION
1	GBA26150AD19	Inner Link
2	GBA26150AD20	Outer Link
3	GBA26150AD21	Outer Link Axle
4	GBA26150AD23	Offset Link

54-9704GY

Escalator Step Chain 510/513 NPE:
Oil-Lubricated, Bolt \varnothing 25 mm



VINTAGE G. 02

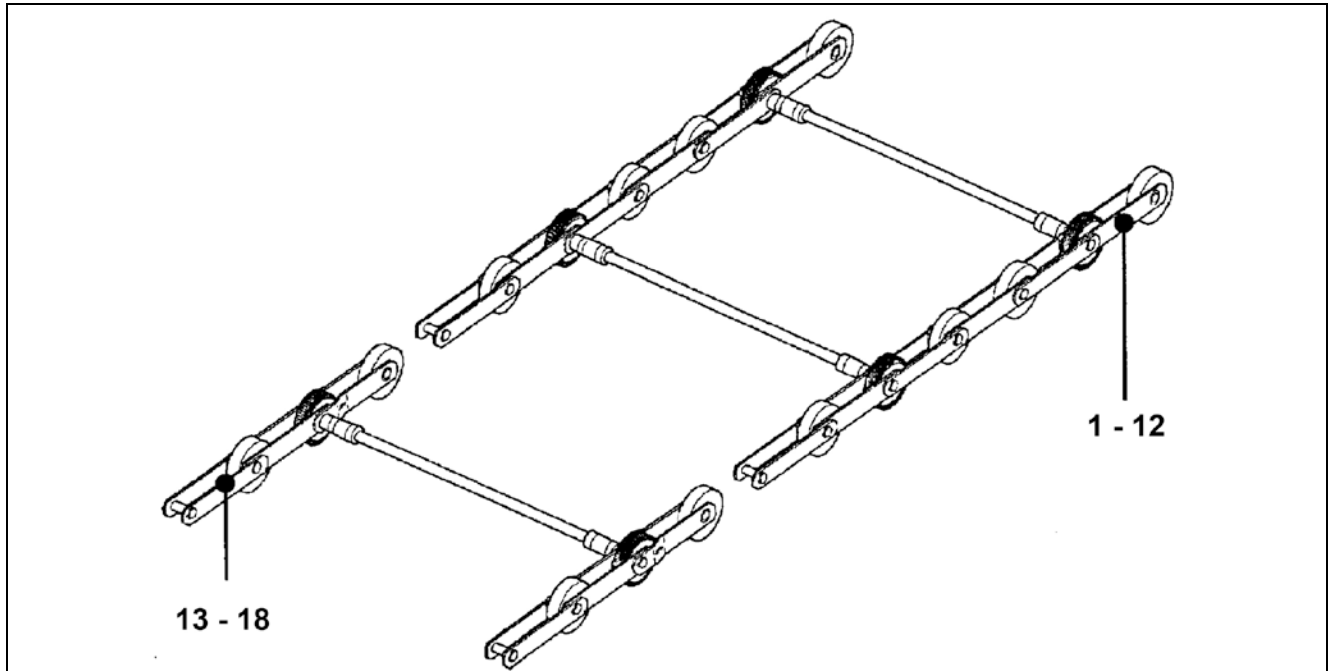
REF. No.	PART No.	DESCRIPTION	
1	A9704GY25 GBA26150AE1	2-Fold Unit, 32" / 600	Indoor
2	A9704GY26 GBA26150AE2	2-Fold Unit, 40" / 800	
3	A9704GY27 GBA26150AE3	2-Fold Unit, 48" / 1000	
4	9704GY101 A9704GY28 GBA26150AE10	2-Fold Unit, 32" / 600	Outdoor
5	9704GY102 A9704GY29 GBA26150AE11	2-Fold Unit, 40" / 800	
6	9704GY104 A9704GY38 GBA26150AE12	2-Fold Unit, 48" / 1000	
7	A9704GY31 GBA26150AE4	10-Fold Unit, 32" / 600	Indoor
8	A9704GY32 GBA26150AE5	10-Fold Unit, 40" / 800	
9	A9704GY33 GBA26150AE6	10-Fold Unit, 48" / 1000	

(Continued on next page)

Escalator Step Chain 510/513 NPE:

54-9704GY

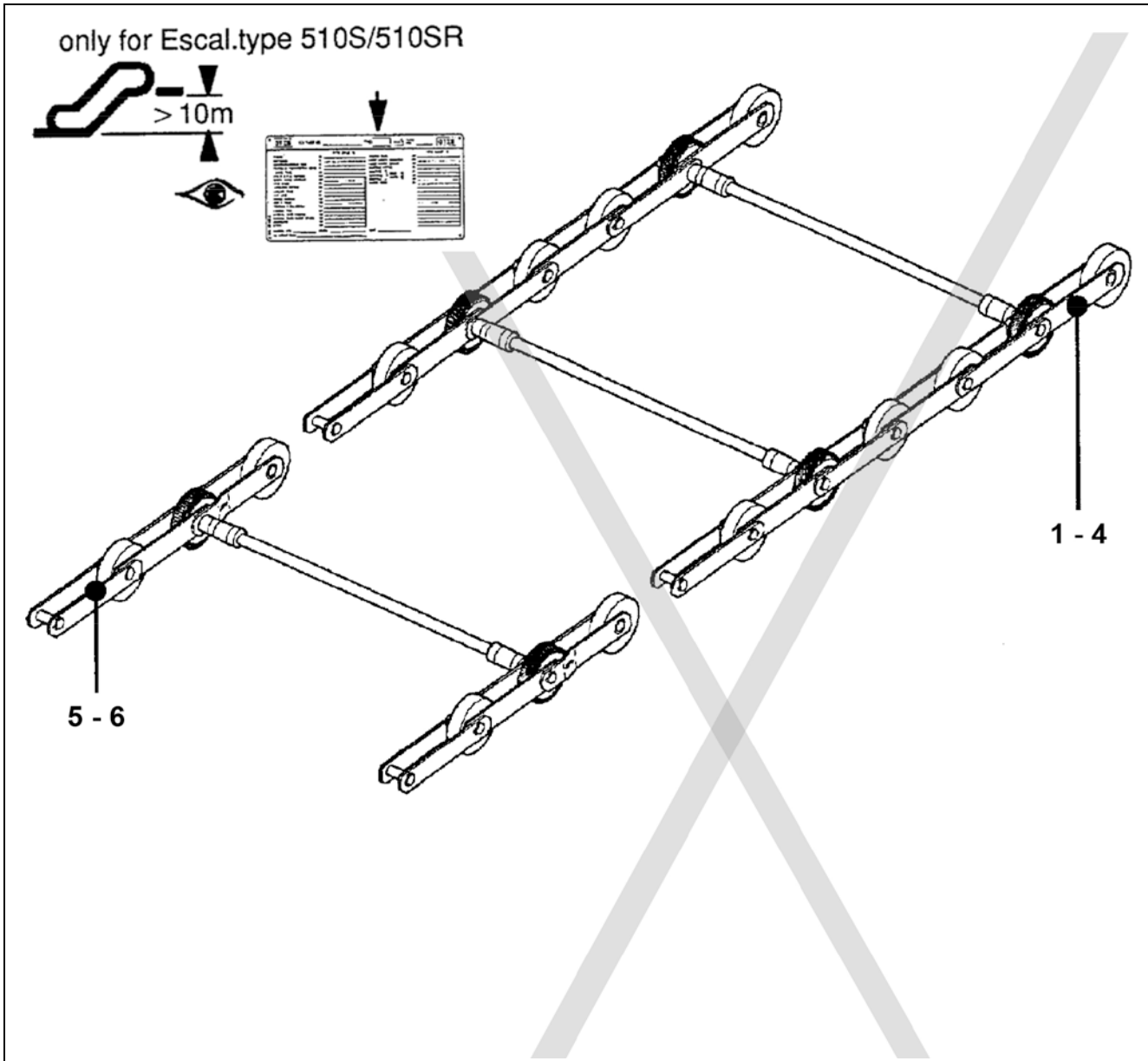
Oil-Lubricated, Bolt \varnothing 25 mm



VINTAGE G. 02			
REF. No.	PART No.	DESCRIPTION	
10	9704GY109 A9704GY34 GBA26150AE13	10-Fold Unit, 32" / 600	Outdoor
11	9704GY110 A9704GY35 GBA26150AE14	10-Fold Unit, 40" / 800	
12	9704GY112 A9704GY36 GBA26150AE15	10-Fold Unit, 48" / 1000	
13	A9704GY53 GBA26150AE7	Offset Link, 32" / 600	Indoor
14	A9704GY54 GBA26150AE8	Offset Link, 40" / 800	
15	A9704GY55 GBA26150AE9	Offset Link, 48" / 1000	
16	9704GY133 A9704GY56 GBA26150AE16	Offset Link, 32" / 600	Outdoor
17	9704GY134 A9704GY57 GBA26150AE17	Offset Link, 40" / 800	
18	9704GY136 A9704GY58 GBA26150AE18	Offset Link, 48" / 1000	

54-9704GY

Escalator Step Chain 510/513 NPE:
Oil-Lubricated, Bolt Ø 25 mm



VINTAGE G. 02

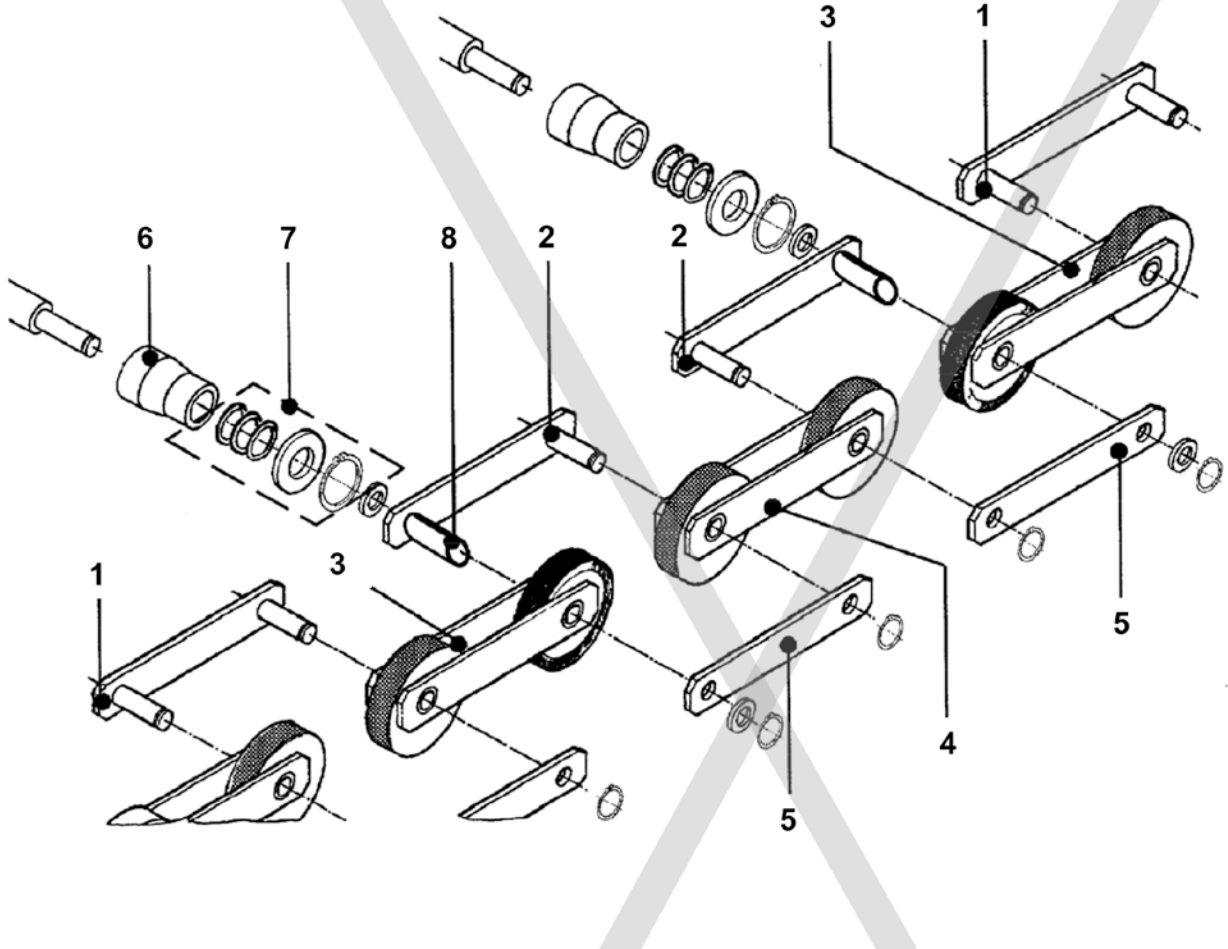
REF. No.	PART No.	DESCRIPTION	
1	A9704GY37	2-Fold Unit 48" / 1000	Indoor
2	A9704GY38	2-Fold Unit 48" / 1000	Outdoor
3	A9704GY39	10-Fold Unit 48" / 1000	Indoor
4	A9704GY40	10-Fold Unit 48" / 1000	Outdoor
5	A9704GY59	Offset Link 48" / 1000	Indoor
6	A9704GY60	Offset Link 48" / 1000	Outdoor

Escalator Step Chain 510/513 NPE:

54-9704GY

Oil-lubricated, Bolt \varnothing 25 mm

See Page 12



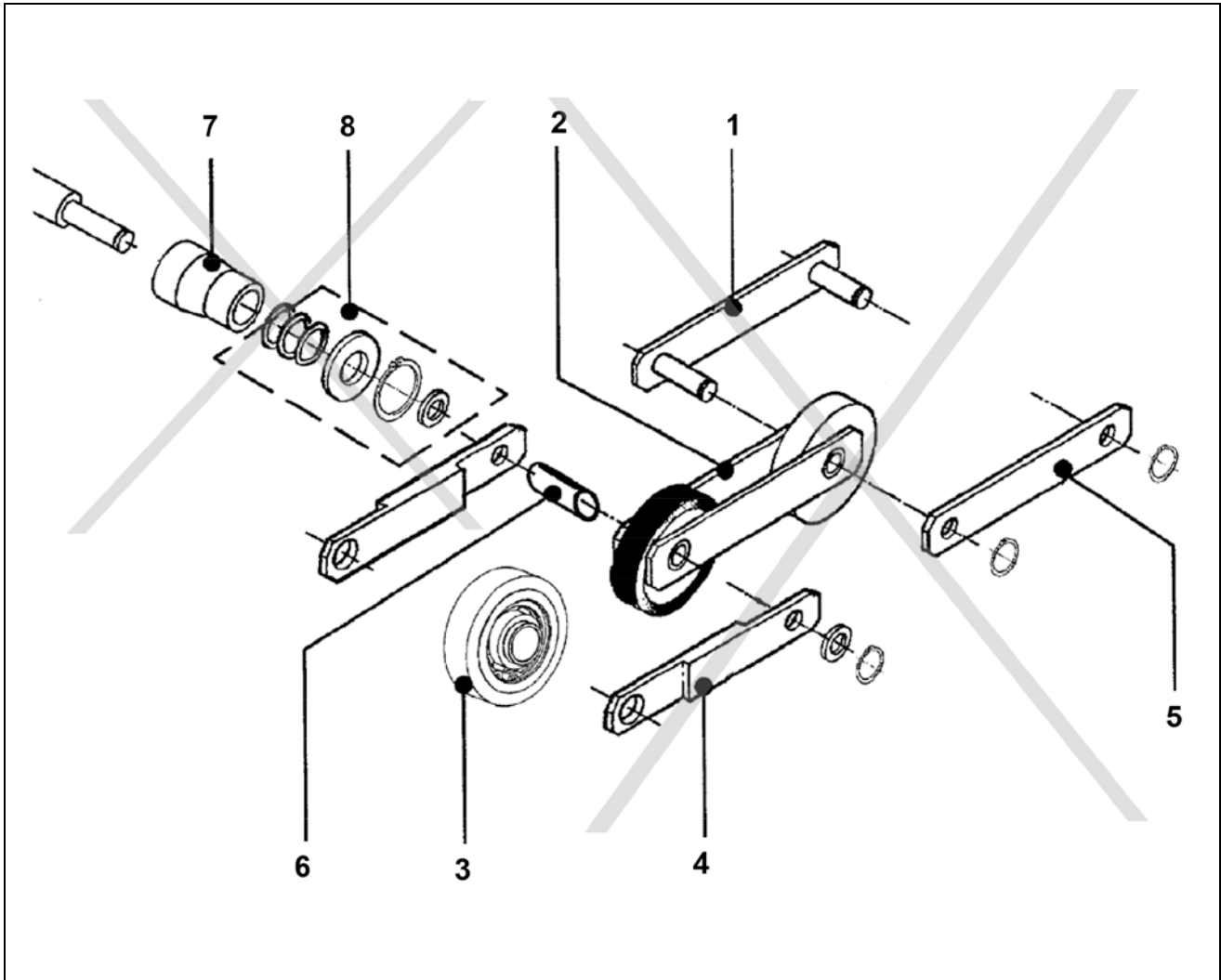
VINTAGE G. 02

REF. No.	PART No.	DESCRIPTION
1	GO9704BH9	Outer Link w/Pins & Retaining Rings
2	GO9704BM4	Outer Link w/Pin & Retaining Ring
3	GO9704BP2	Inner Link w/Rollers
	GOA9704BP2	
4	GO9704BP4	Inner Link w/Rollers
	GOA9704BP4	
5	GO430DF5	Outer Link
6	GX210AL500	Bushing
7	GO2215B70	Hardware
8	GO321ES1	Bushing
	GO321ES2	

54-9704GY

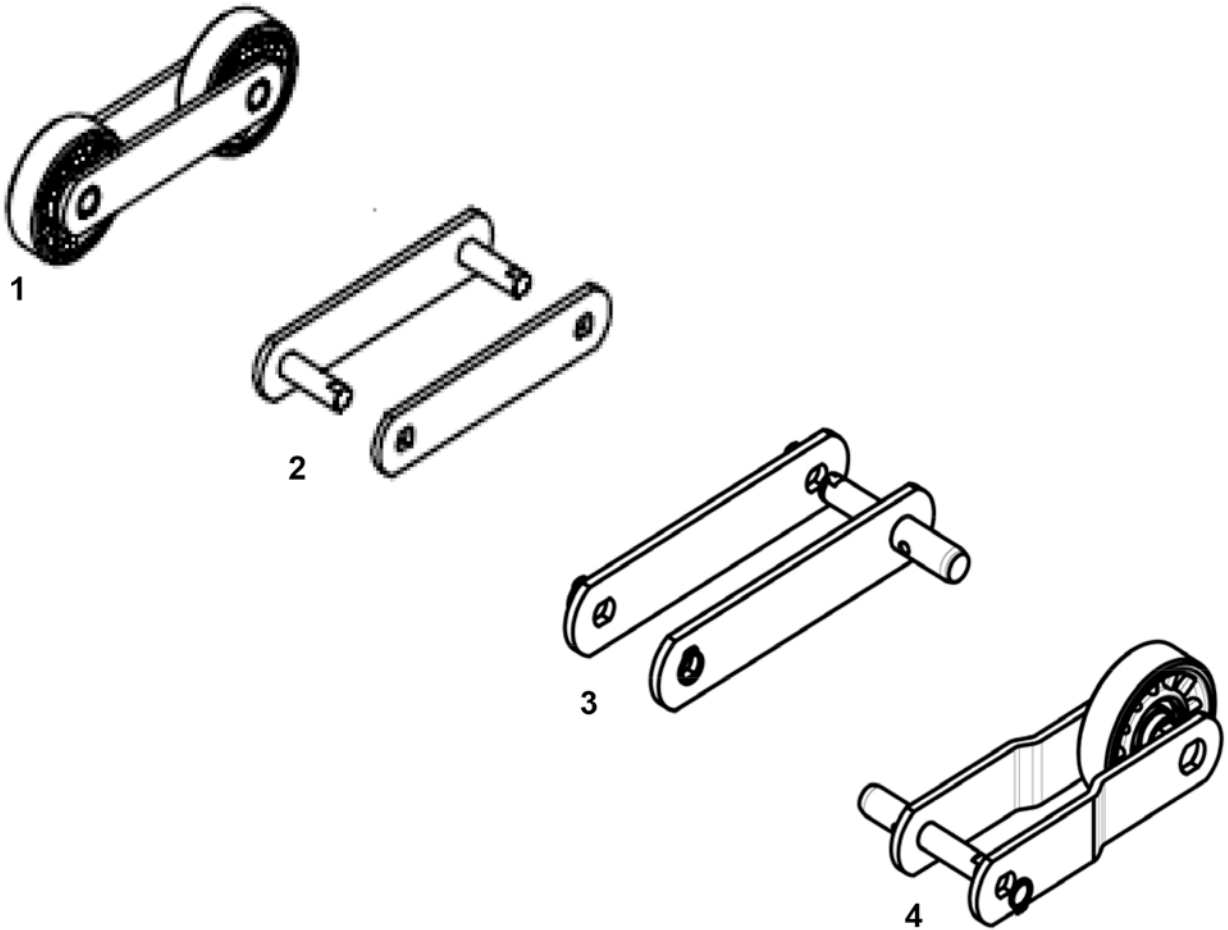
Escalator Step Chain 510/513 NPE:

Oil-lubricated, Bolt Ø 25 mm



VINTAGE G. 02

REF. No.	PART No.	DESCRIPTION
1	GO9704BH9	Outer Link w/Pins & Retaining Rings (See page 12)
2	GO9704BP2 GOA9704BP2	Inner Link w/Rollers (See page 12)
3	GO290AD5 GAA290CB3	Roller
4	GO430DF9	Connecting Link (See page 12)
5	GO430DF5	Outer Link (See page 12)
6	GO321ES1 GO321ES2	Bushing (See page 12)
7	GX210AL500	Bushing (See page 12)
8	GO2215B70	Hardware (See page 12)

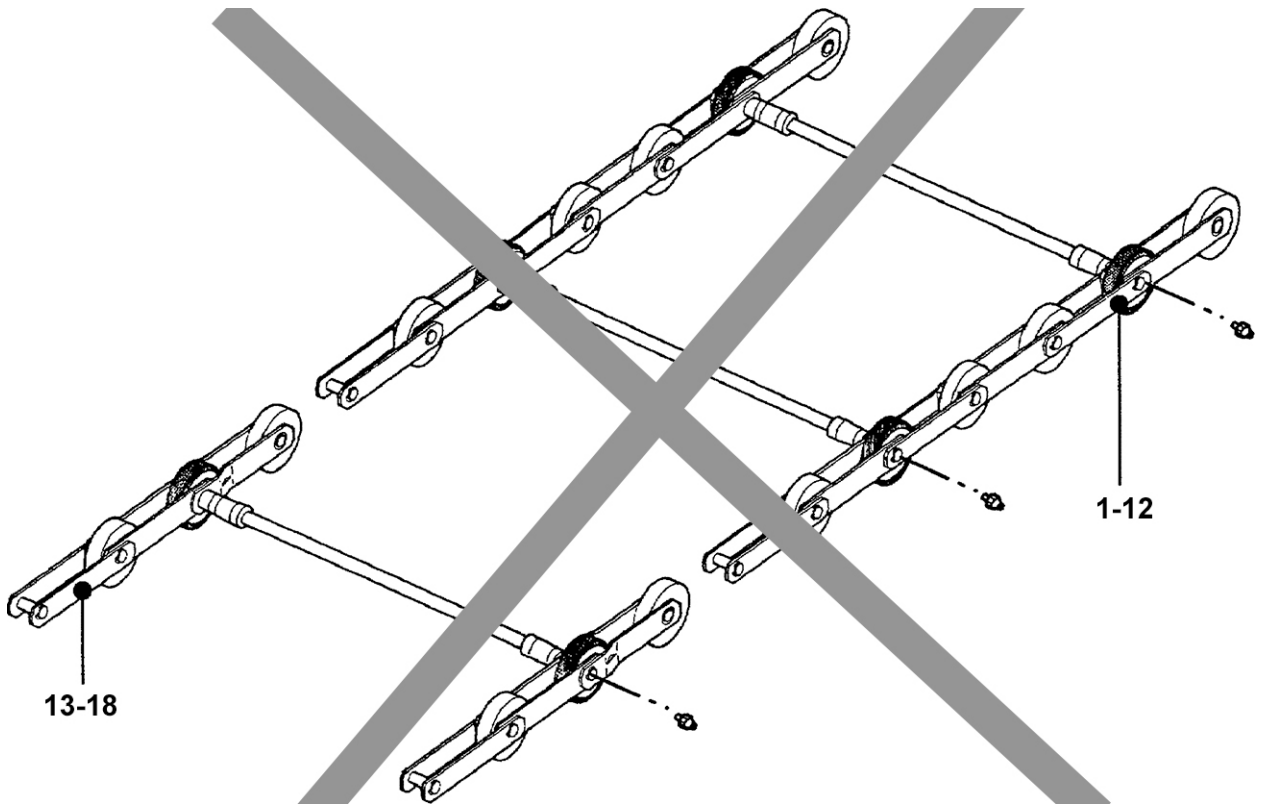


W → **G..26150AE**

VINTAGE G. 02		
REF. No.	PART No.	DESCRIPTION
1	GBA26150AE19	Inner Link
2	GBA26150AE20	Outer Link
3	GBA26150AE21	Outer Link Axle
4	GBA26150AE23	Offset Link

54-9704GY

Escalator Step Chain 510/513 NPE:
Grease-Lubricated, Bolt \varnothing 15 mm



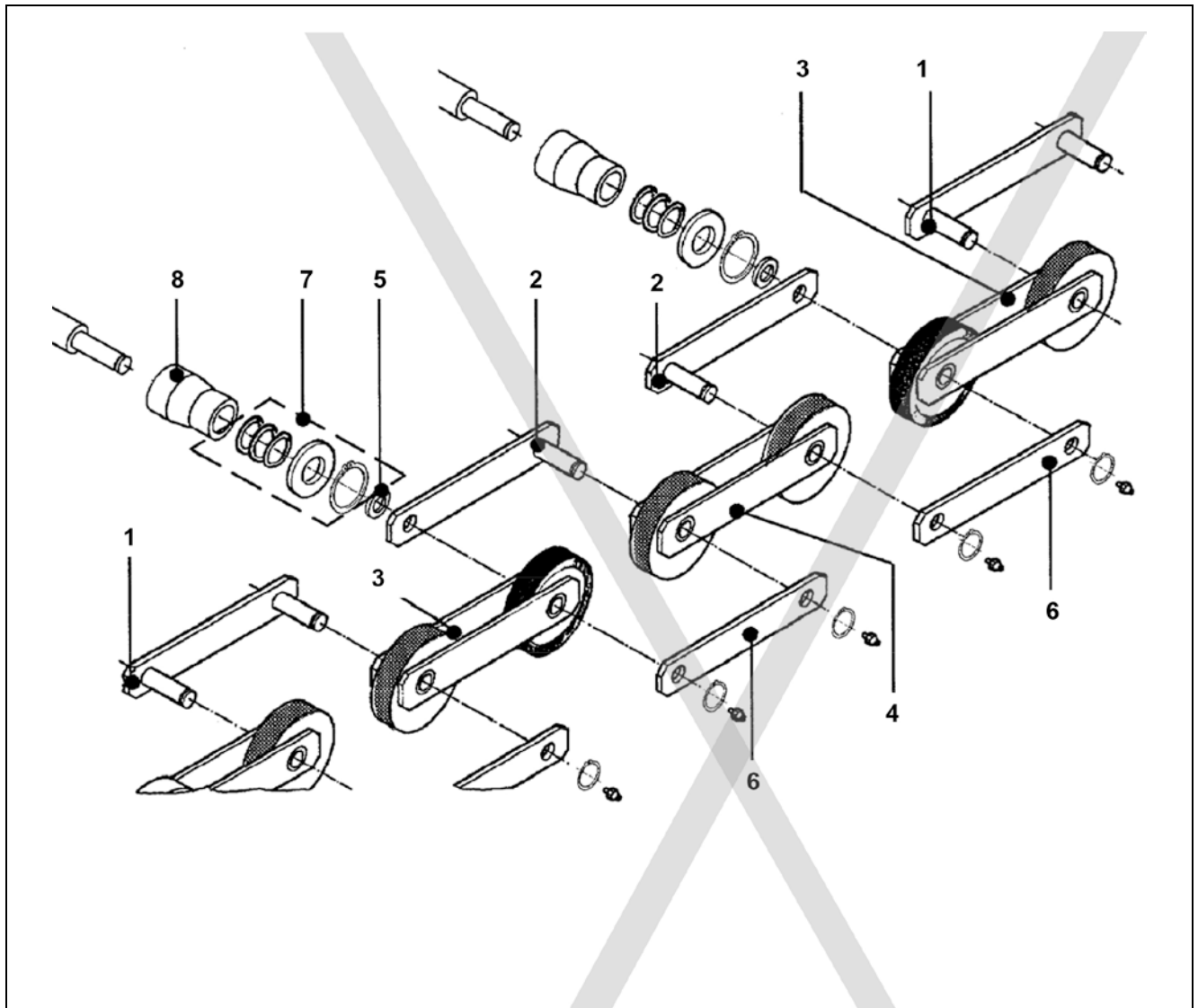
VINTAGE G. 01

REF. No.	PART No.	DESCRIPTION	
1	9704GY17	2-Fold Unit, 32" / 600	Indoor
2	9704GY18	2-Fold Unit, 40" / 800	
3	9704GY20	2-Fold Unit, 48" / 1000	
4	9704GY21	2-Fold Unit, 32" / 600	Outdoor
5	9704GY22	2-Fold Unit, 40" / 800	
6	9704GY24	2-Fold Unit, 48" / 1000	
7	9704GY25	10-Fold Unit, 32" / 600	Indoor
8	9704GY26	10-Fold Unit, 40" / 800	
9	9704GY28	10-Fold Unit, 48" / 1000	
10	9704GY29	10-Fold Unit, 32" / 600	Outdoor
11	9704GY30	10-Fold Unit, 40" / 800	
12	9704GY32	10-Fold Unit, 48" / 1000	
13	9704GY41	Offset Link, 32" / 600	Indoor
14	9704GY42	Offset Link, 40" / 800	
15	9704GY44	Offset Link, 48" / 1000	
16	9704GY45	Offset Link, 32" / 600	Outdoor
17	9704GY46	Offset Link, 40" / 800	
18	9704GY48	Offset Link, 48" / 1000	

Escalator Step Chain 510/513 NPE:

54-9704GY

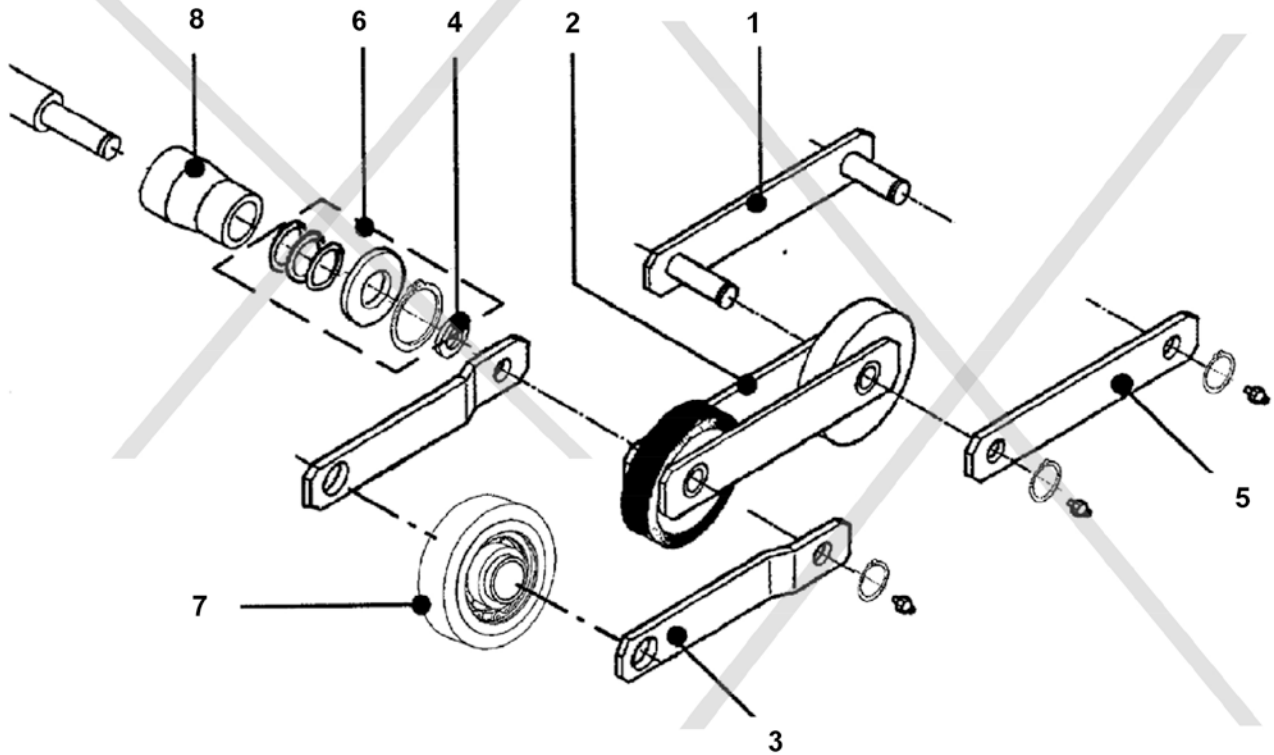
Grease-Lubricated, Bolt \varnothing 15 mm



VINTAGE G. 01		
REF. No.	PART No.	DESCRIPTION
1	GO9704BH3	Outer Link w/Pins & Retaining Rings
2	GO9704BH4	Outer Link w/Pin & Retaining Ring
3	GO9704BG4 GOA9704BG4	Inner Link w/Rollers
4	GO9704BF4	Inner Link w/Rollers
5	GO462CH1	Washer
6	GO430DF1	Outer Link
7	GO2215B70	Hardware
8	GO210AL500	Bushing

54-9704GY

Escalator Step Chain 510/513 NPE:
Grease-Lubricated, Bolt Ø 15 mm

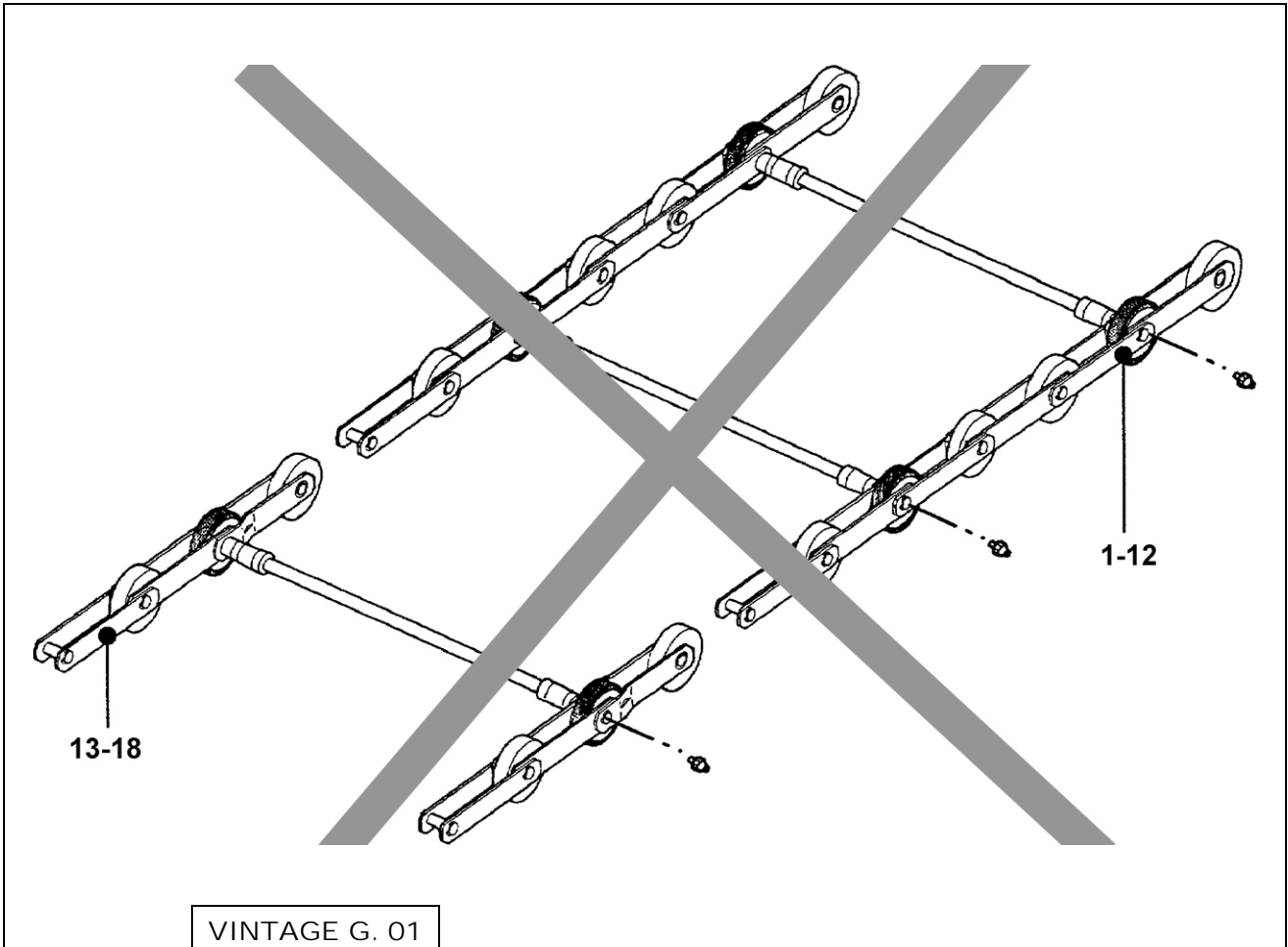


VINTAGE G. 01

REF. No.	PART No.	DESCRIPTION
1	GO9704BH3	Outer Link w/Pins & Retaining Rings
2	GO9704BG4 GOA9704BG4	Inner Link w/Rollers
3	GO430DF7	Connecting Link
4	GO430DF4	Outer Link
5	GO462CH4	Washer
6	GO2215B70	Hardware
7	GO290AJ8	Roller. Use with 9704GY
8	GX210AL500	Bushing

Escalator Step Chain 510/513 NPE:
Grease-Lubricated, Bolt Ø 20 mm

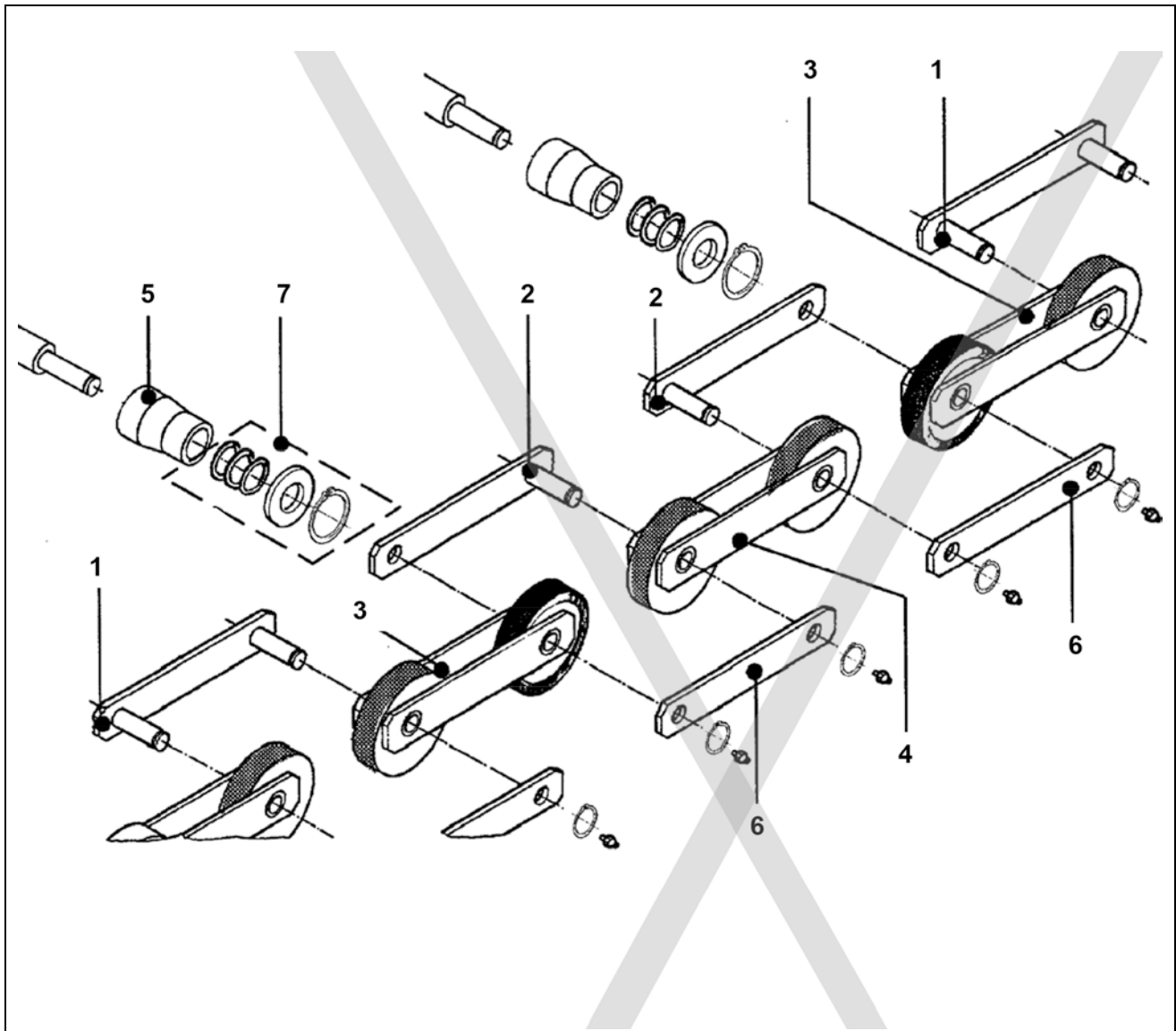
54-9704GY



VINTAGE G. 01			
REF. No.	PART No.	DESCRIPTION	
1	9704GY65	2-Fold Unit, 32" / 600	Indoor
2	9704GY66	2-Fold Unit, 40" / 800	
3	9704GY68	2-Fold Unit, 48" / 1000	
4	9704GY69	2-Fold Unit, 32" / 600	Outdoor
5	9704GY70	2-Fold Unit, 40" / 800	
6	9704GY72	2-Fold Unit, 48" / 1000	
7	9704GY73	10-Fold Unit, 32" / 600	Indoor
8	9704GY74	10-Fold Unit, 40" / 800	
9	9704GY76	10-Fold Unit, 48" / 1000	
10	9704GY77	10-Fold Unit, 32" / 600	Outdoor
11	9704GY78	10-Fold Unit, 40" / 800	
12	9704GY80	10-Fold Unit, 48" / 1000	
13	9704GY89	Offset Link, 32" / 600	Indoor
14	9704GY90	Offset Link, 40" / 800	
15	9704GY92	Offset Link, 48" / 1000	
16	9704GY93	Offset Link, 32" / 600	Outdoor
17	9704GY94	Offset Link, 40" / 800	
18	9704GY96	Offset Link, 48" / 1000	

54-9704GY

Escalator Step Chain 510/513 NPE:
Grease-Lubricated, Bolt \varnothing 20 mm

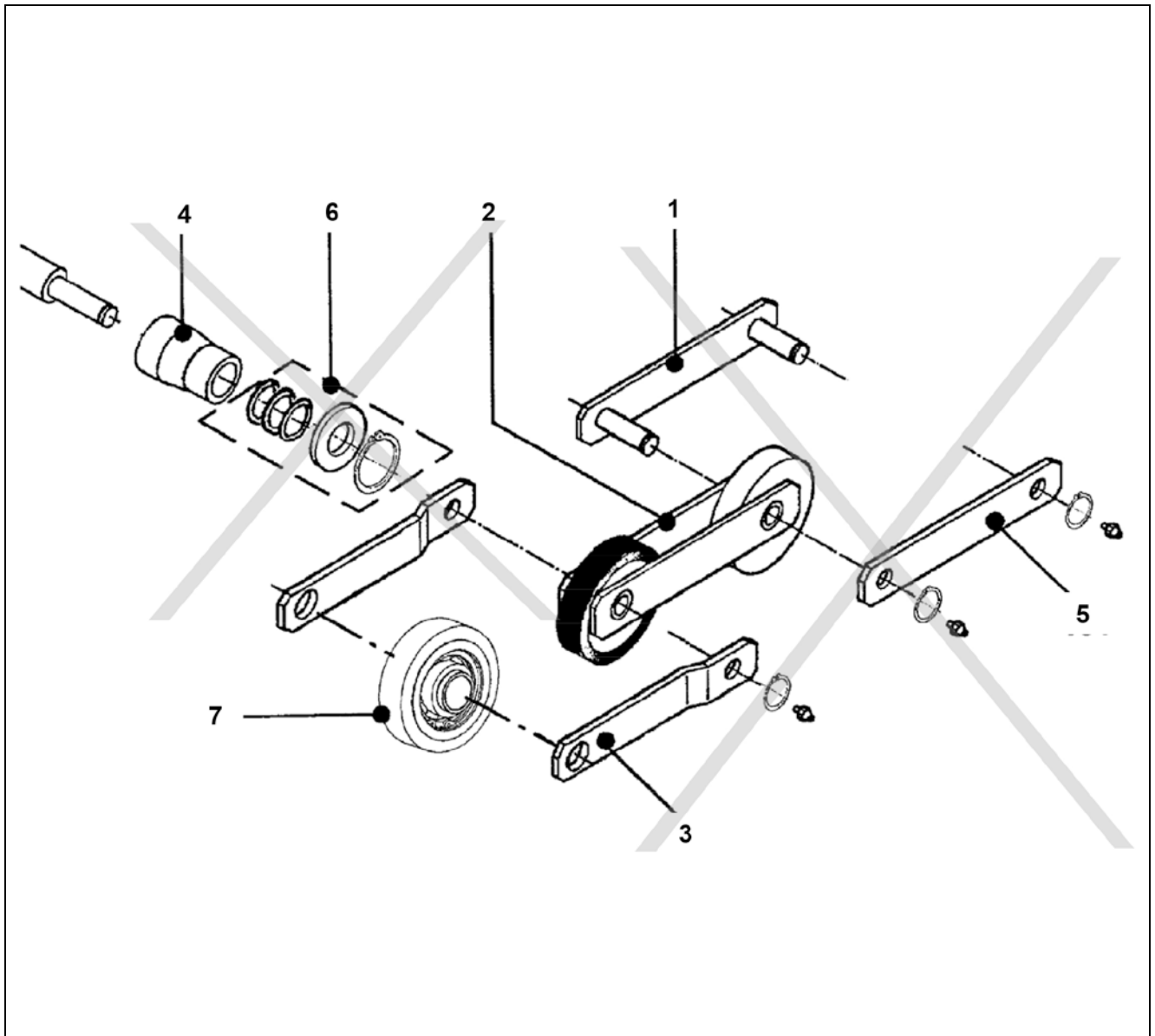


VINTAGE G. 01		
REF. No.	PART No.	DESCRIPTION
1	GO9704BH7	Outer Link w/Pins & Retaining Rings
2	GO9704BH8	Outer Link w/Pin & Retaining Ring
3	GO9704BG2 GOA9704BG2	Inner Link w/Rollers
4	GO9704BF2	Inner Link w/Rollers
5	GX210AL500	Bushing
6	GO430DF3	Outer Link
7	GO2215B70	Hardware

Escalator Step Chain 510/513 NPE:

54-9704GY

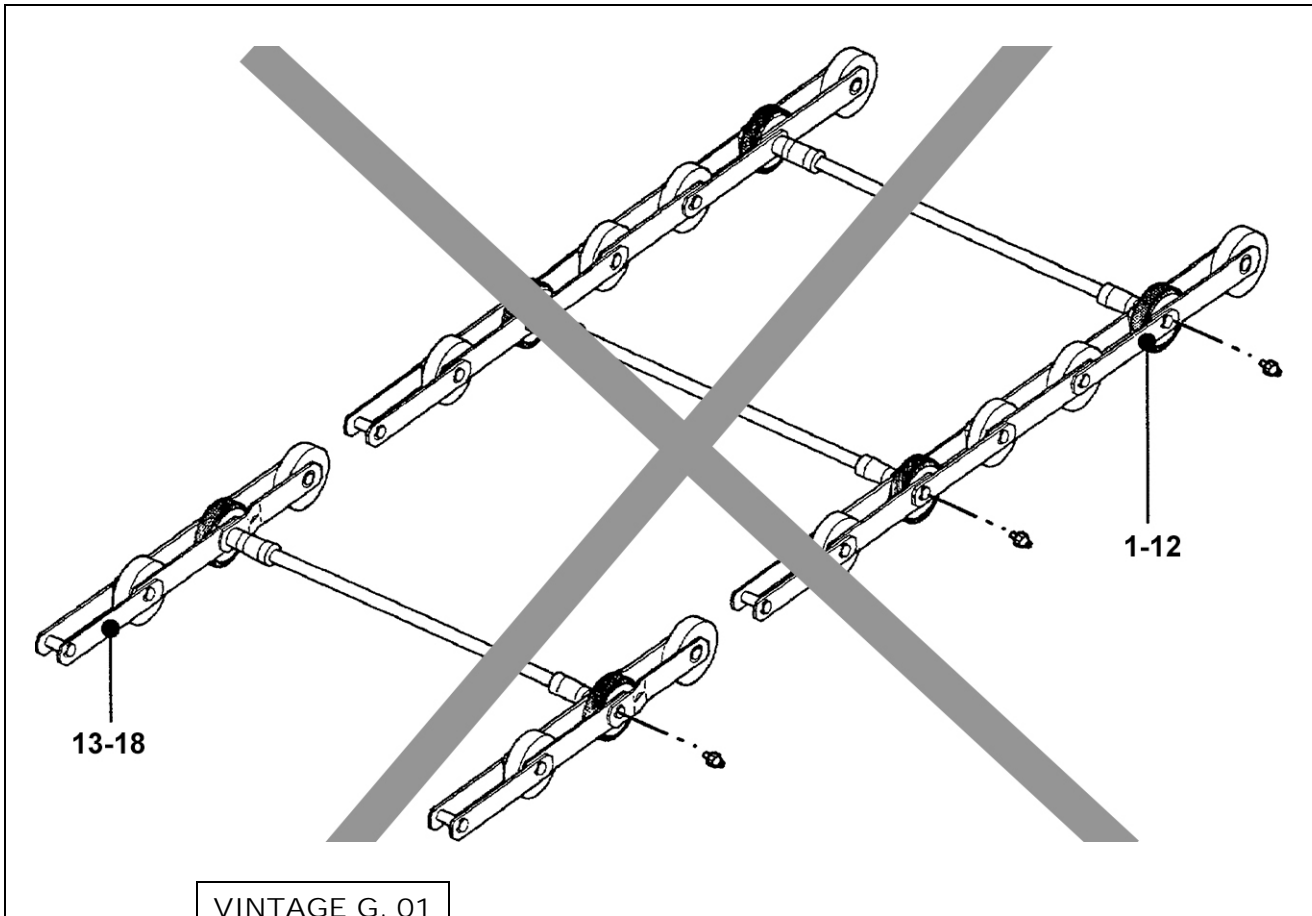
Grease-Lubricated, Bolt \varnothing 20 mm



VINTAGE G. 01		
REF. No.	PART No.	DESCRIPTION
1	GO9704BH7	Outer Link w/Pins & Retaining Rings
2	GO9704BG2 GOA9704BG2	Inner Link w/Rollers
3	GO430DF8	Connecting Link
4	GX210AL500	Bushing
5	GO430DF3	Outer Link
6	GO2215B70	Hardware
7	GO290AJ8	Roller. Use with 9704GY.

54-9704GY

Escalator Step Chain 510/513 NPE:
Grease-Lubricated, Bolt \varnothing 25 mm



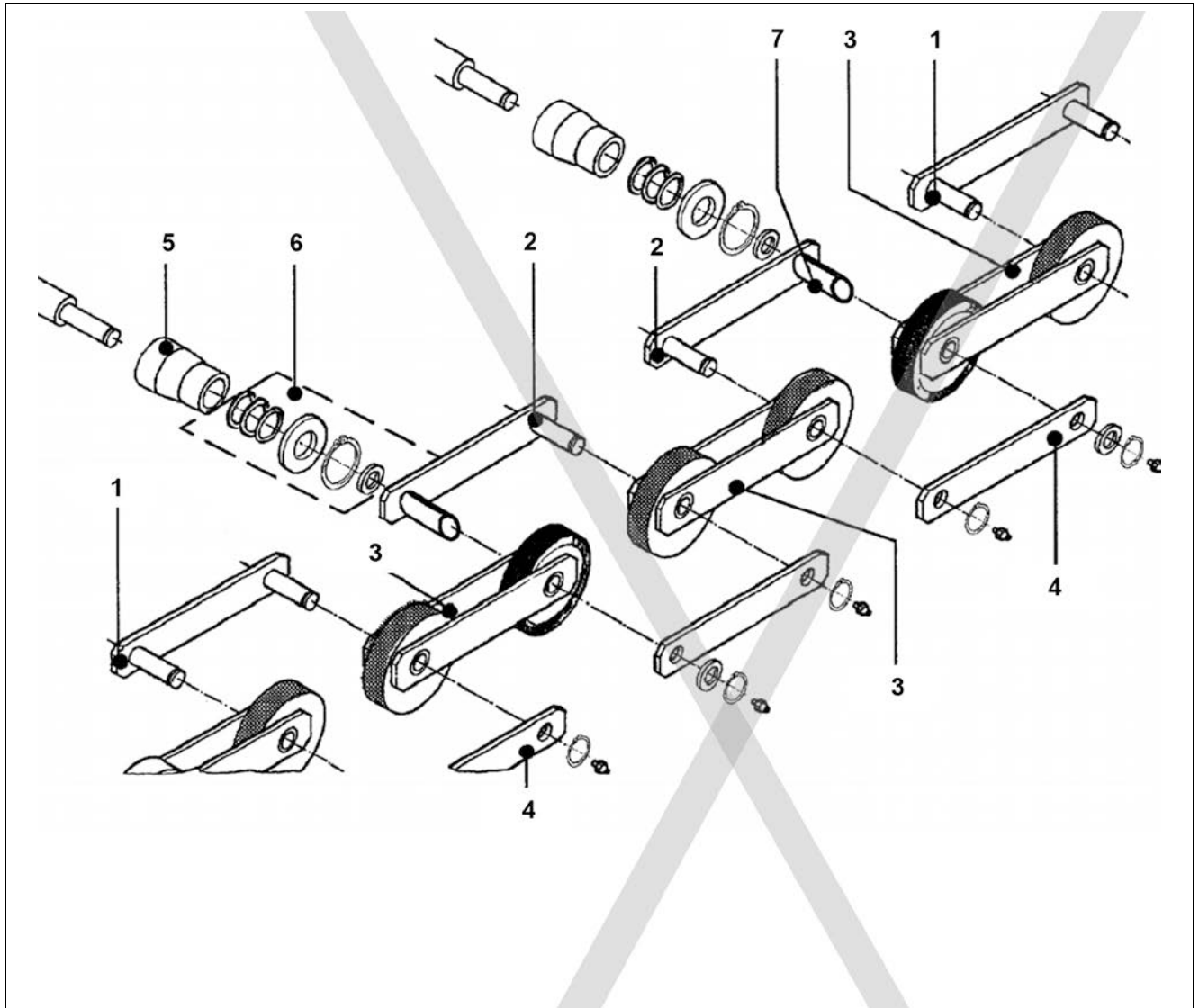
VINTAGE G. 01

REF. No.	PART No.	DESCRIPTION	
1	9704GY113	2-Fold Unit, 32" / 600	Indoor
2	9704GY114	2-Fold Unit, 40" / 800	
3	9704GY116	2-Fold Unit, 48" / 1000	
4	9704GY117	2-Fold Unit, 32" / 600	Outdoor
5	9704GY118	2-Fold Unit, 40" / 800	
6	9704GY120	2-Fold Unit, 48" / 1000	
7	9704GY121	10-Fold Unit, 32" / 600	Indoor
8	9704GY122	10-Fold Unit, 40" / 800	
9	9704GY124	10-Fold Unit, 48" / 1000	
10	9704GY125	10-Fold Unit, 32" / 600	Outdoor
11	9704GY126	10-Fold Unit, 40" / 800	
12	9704GY128	10-Fold Unit, 48" / 1000	
13	9704GY137	Offset Link, 32" / 600	Indoor
14	9704GY138	Offset Link, 40" / 800	
15	9704GY140	Offset Link, 48" / 1000	
16	9704GY141	Offset Link, 32" / 600	Outdoor
17	9704GY142	Offset Link, 40" / 800	
18	9704GY144	Offset Link, 48" / 1000	


Escalator Step Chain 510/513 NPE:

54-9704GY

Grease-Lubricated, Bolt \varnothing 25 mm

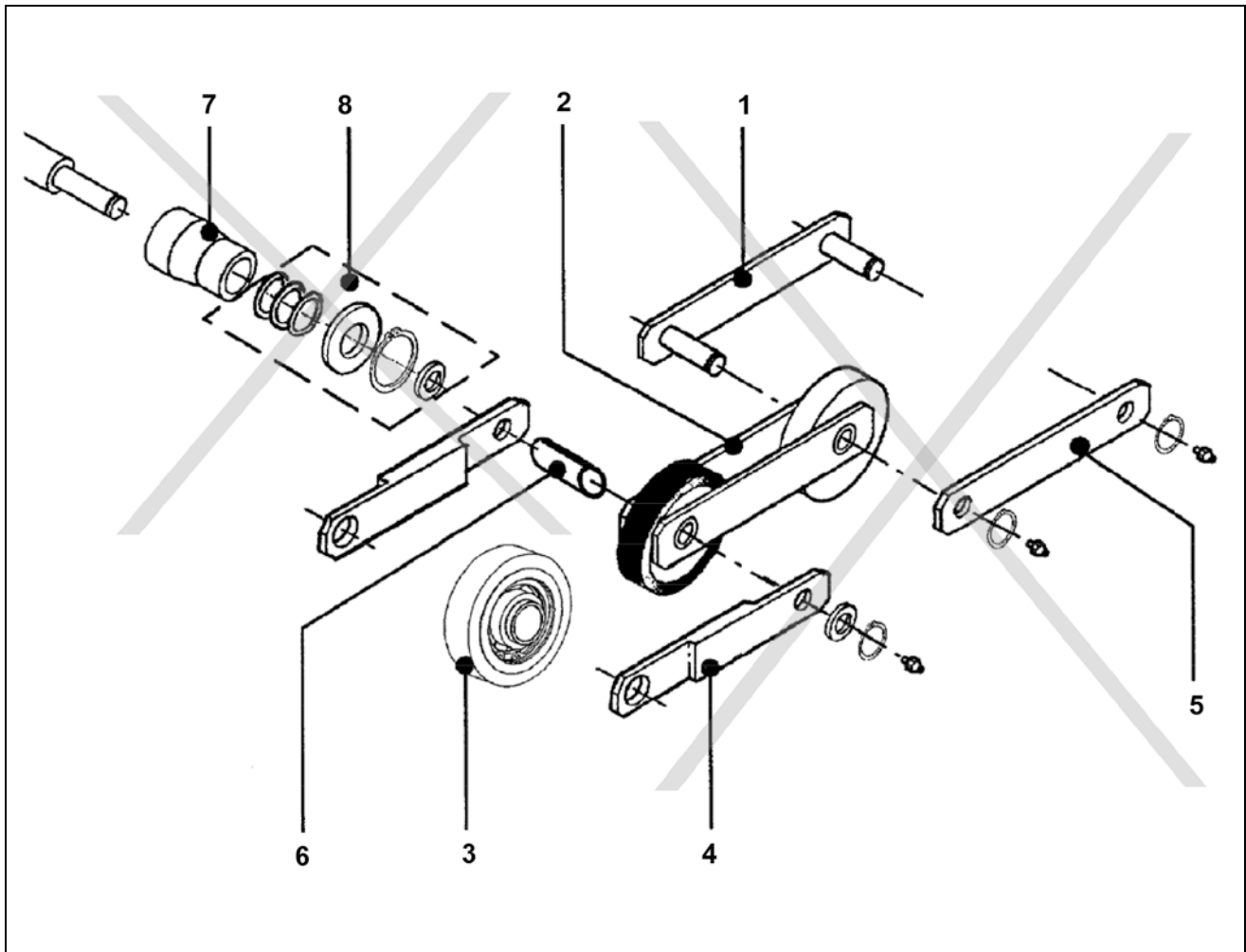


VINTAGE G. 01

REF. No.	PART No.	DESCRIPTION
1	GO9704BH10	Outer Link w/Pins & Retaining Rings
2	GO9704BH2	Outer Link w/Pin & Retaining Ring
3	GO9704BP4 GOA9704BP4	Inner Link w/Rollers
4	GO430DF5	Outer Link
5	GX210AL500	Bushing
6	GO2215B70	
7	GO321ES1 GO321ES2	Bushing

54-9704GY

Escalator Step Chain 510/513 NPE:
Grease-Lubricated, Bolt Ø 25 mm

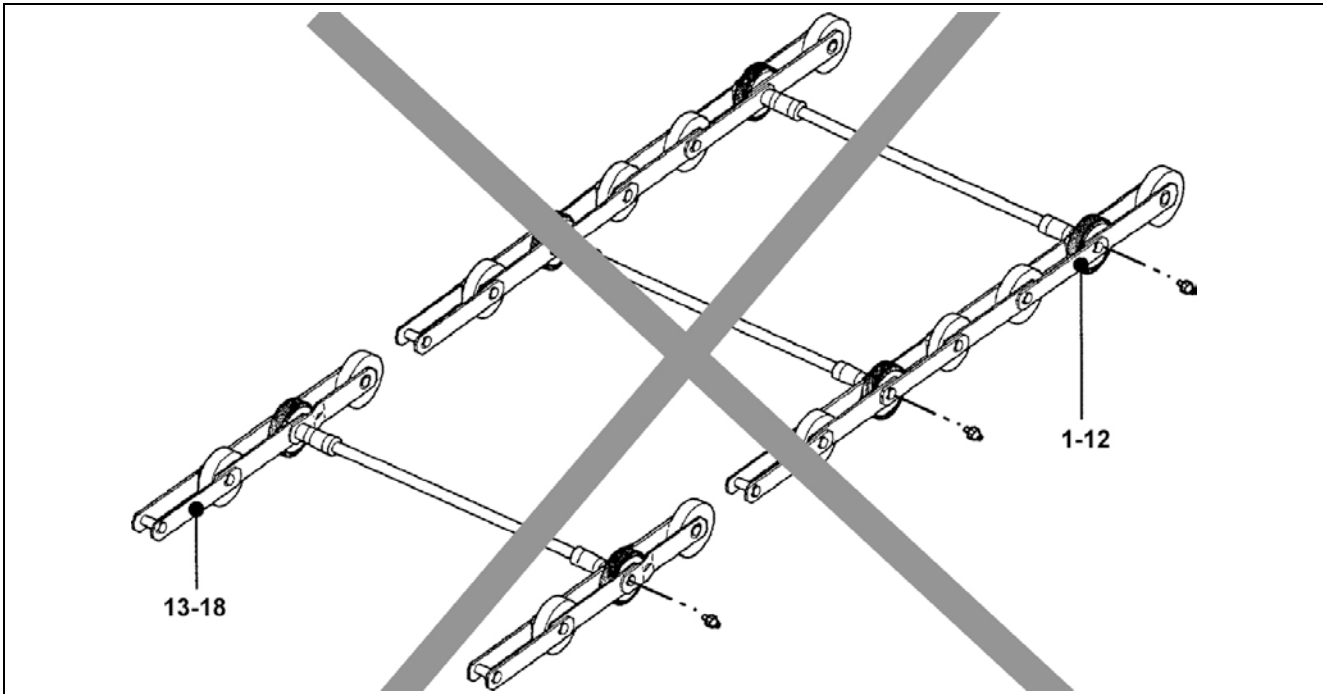


VINTAGE G. 01

REF. No.	PART No.	DESCRIPTION
1	GO9704BH10	Outer Link w/Pins & Retaining Rings
2	GO9704BP4 GOA9704BP4	Inner Link w/Rollers
3	GO290AD5 GAA290CB3	Roller. Use with 9704GY.
4	GO430DF9	Connecting Link
5	GO430DF5	Outer Link
6	GO321ES1 GO321ES2	Bushing
7	GX210AL500	Bushing
8	GO2215B70	Hardware

Escalator Step Chain 510E:
Oil-Lubricated, Bolt \varnothing 15 mm

54-9704GY

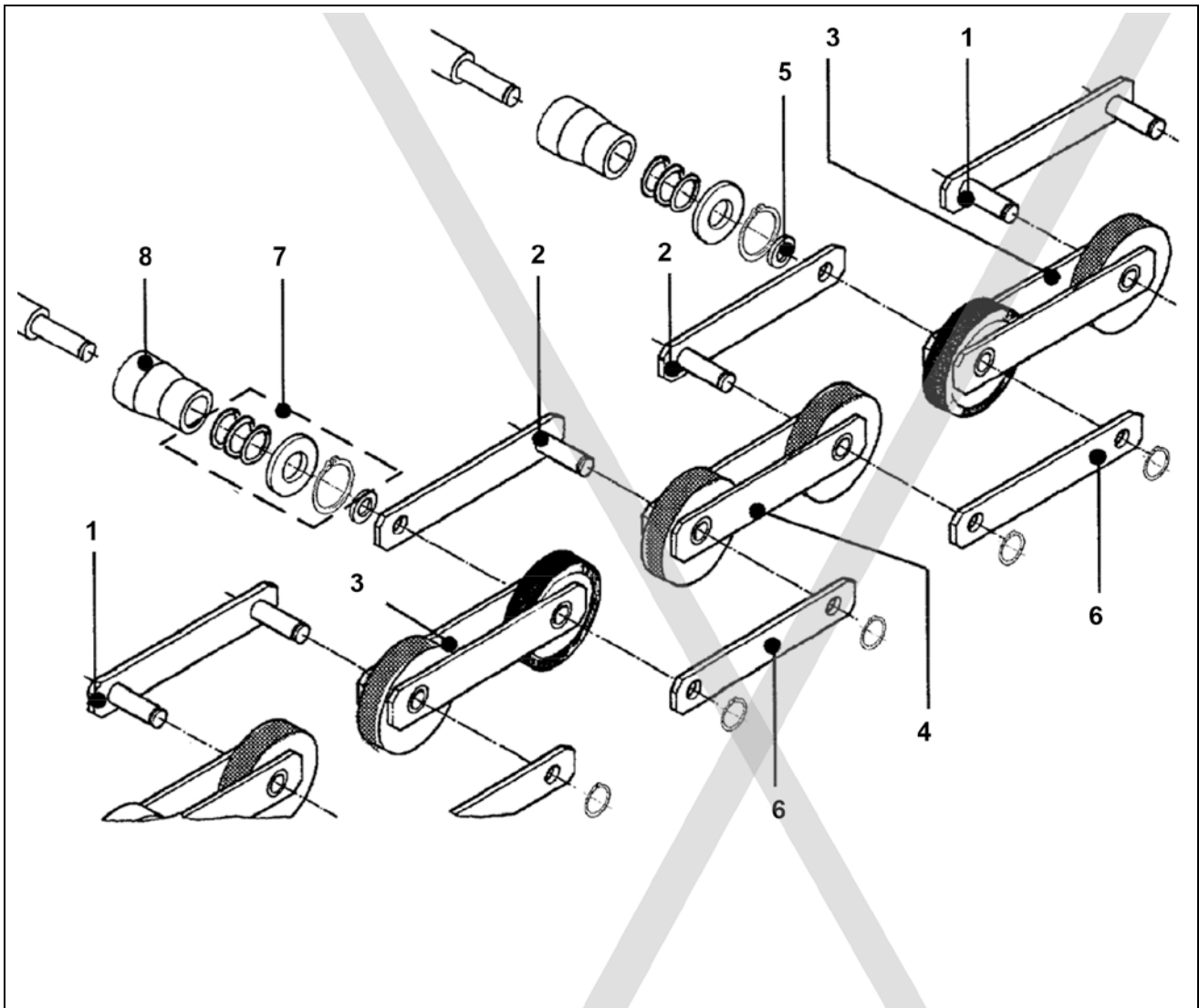


VINTAGE G. 02

REF. No.	PART No.	DESCRIPTION	
1	A9704GY61	2-Fold Unit, 32" / 600	Indoor
2	A9704GY62	2-Fold Unit, 40" / 800	
3	A9704GY63	2-Fold Unit, 48" / 1000	
4	9704GY204 A9704GY64	2-Fold Unit, 32" / 600	Outdoor
5	9704GY205 A9704GY65	2-Fold Unit, 40" / 800	
6	9704GY207 A9704GY66	2-Fold Unit, 48" / 1000	
7	A9704GY67	10-Fold Unit, 32" / 600	Indoor
8	A9704GY68	10-Fold Unit, 40" / 800	
9	A9704GY69	10-Fold Unit, 48" / 1000	
10	9704GY212 A9704GY70	10-Fold Unit, 32" / 600	Outdoor
11	9704GY213 A9704GY71	10-Fold Unit, 40" / 800	
12	9704GY215 A9704GY72	10-Fold Unit, 48" / 1000	
13	A9704GY85	Offset Link, 32" / 600	Indoor
14	A9704GY86	Offset Link, 40" / 800	
15	A9704GY87	Offset Link, 48" / 1000	
16	9704GY220 A9704GY88	Offset Link, 32" / 600	Outdoor
17	9704GY221 A9704GY89	Offset Link, 40" / 800	
18	9704GY223 A9704GY90	Offset Link, 48" / 1000	

54-9704GY

Escalator Step Chain 510E:
Oil-Lubricated, Bolt Ø 15 mm

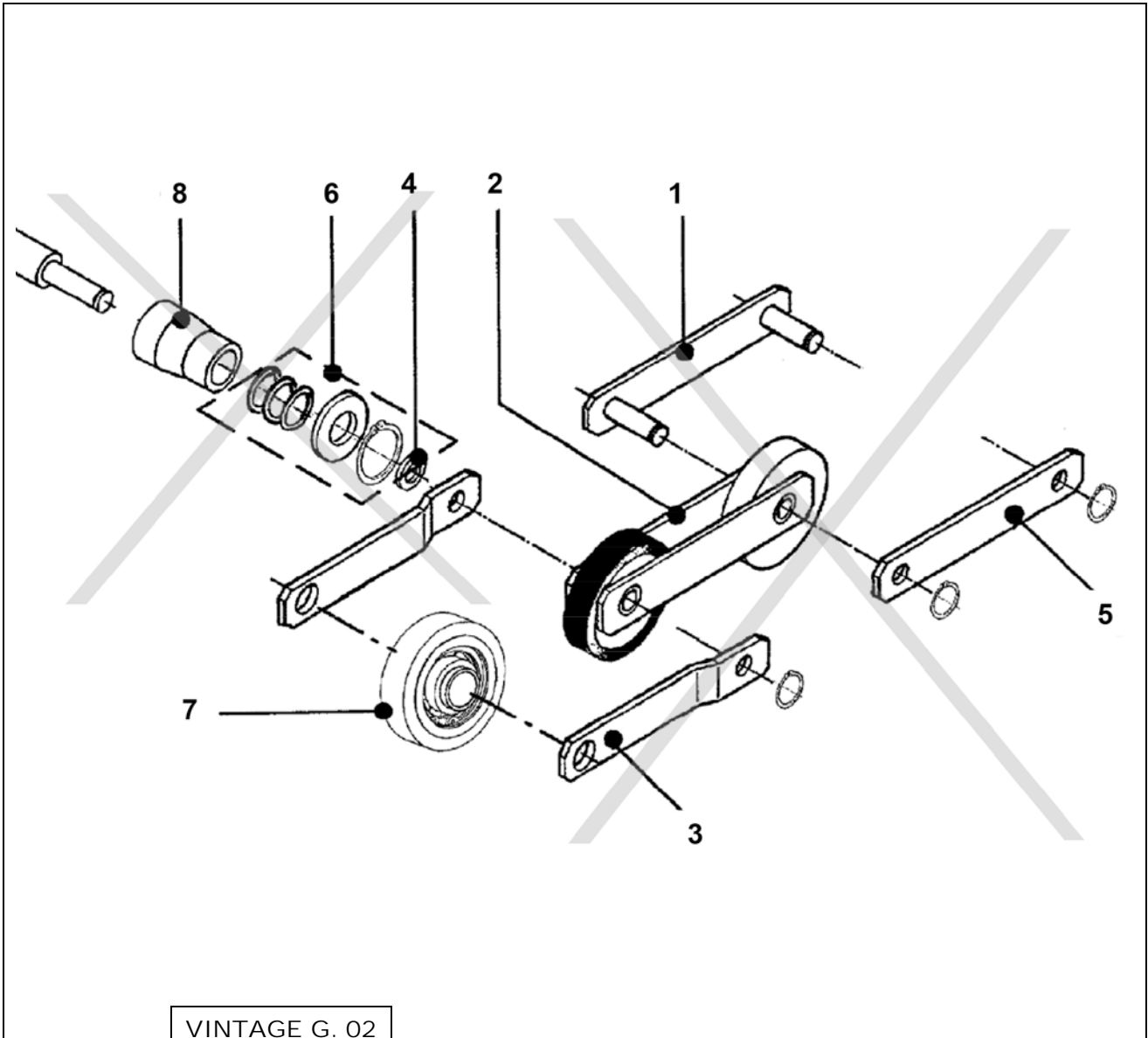


VINTAGE G. 02

REF. No.	PART No.	DESCRIPTION
1	GO9704BH11	Outer Link w/Pins & Retaining Rings
2	GO9704BH12	Outer Link w/Pin & Retaining Ring
3	GO9704BG3 GOA9704BG3	Inner Link w/Rollers
4	GO9704BF3	Inner Link w/Rollers
5	GO462CH1	Washer
6	GO430AR5	Outer Link
7	GO2215B70	Hardware
8	GO210AL500	Bushing

Escalator Step Chain 510E:
Oil-Lubricated, Bolt \varnothing 15 mm

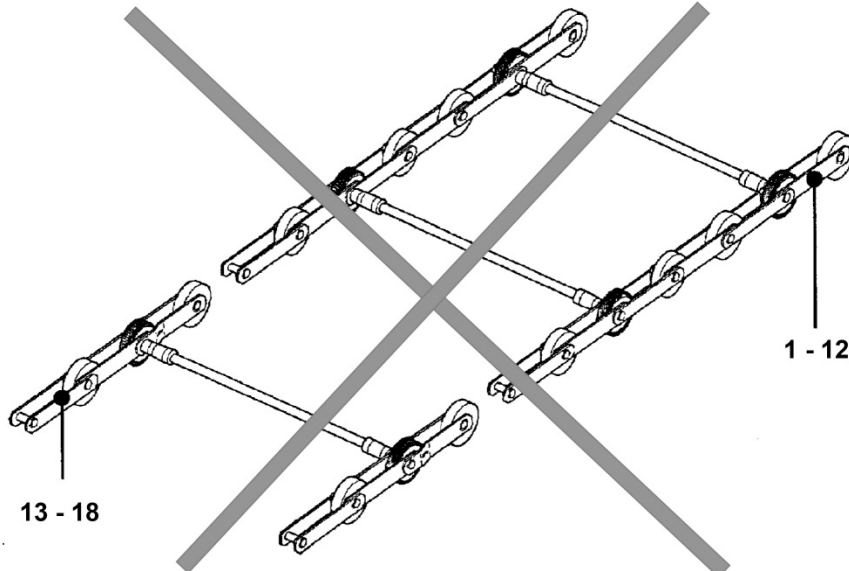
54-9704GY



VINTAGE G. 02		
REF. No.	PART No.	DESCRIPTION
1	GO9704BH44	Outer Link w/Pins & Retaining Rings
2	GO9704BG3 GOA9704BG3	Inner Link w/Rollers
3	GO430AR9	Connecting Link
4	GO462CH1	Washer
5	GO430AR5	Outer Link
6	GO2215B70	Hardware
7	GO290AJ8	Roller. Use with 9704GY
8	GX210AL500	Bushing

54-9704GY

Escalator Step Chain 510E:
Oil-Lubricated, Bolt Ø 20 mm



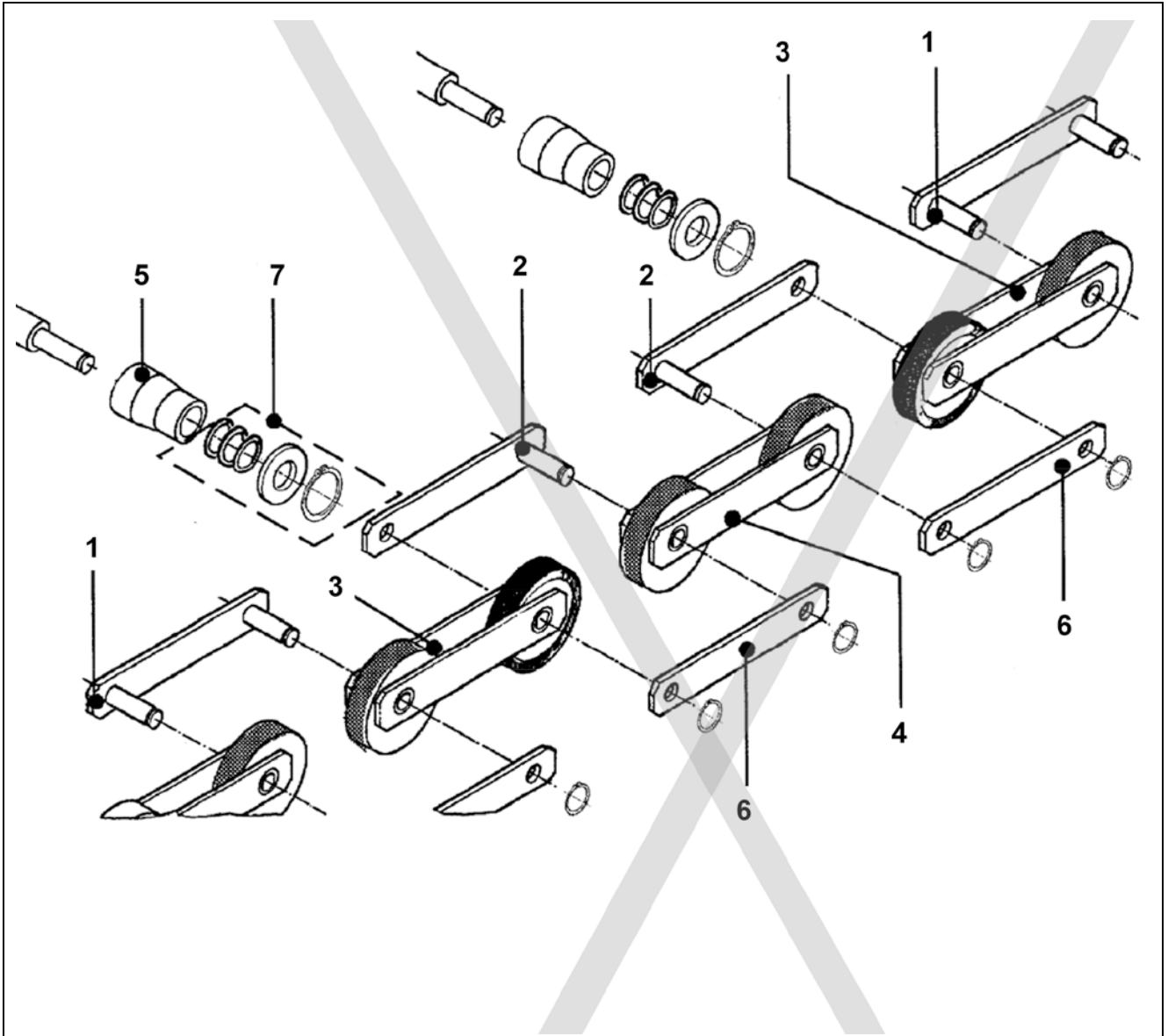
VINTAGE G. 02

REF. No.	PART No.	DESCRIPTION	
1	A9704GY73	2-Fold Unit, 32" / 600	Indoor
2	A9704GY74	2-Fold Unit, 40" / 800	
3	A9704GY75	2-Fold Unit, 48" / 1000	
4	9704GY228 A9704GY76	2-Fold Unit, 32" / 600	Outdoor
5	9704GY229 A9704GY77	2-Fold Unit, 40" / 800	
6	9704GY231 A9704GY78	2-Fold Unit, 48" / 1000	
7	A9704GY79	10-Fold Unit, 32" / 600	Indoor
8	A9704GY80	10-Fold Unit, 40" / 800	
9	A9704GY81	10-Fold Unit, 48" / 1000	
10	9704GY236 A9704GY82	10-Fold Unit, 32" / 600	Outdoor
11	9704GY237 A9704GY83	10-Fold Unit, 40" / 800	
12	9704GY239 A9704GY84	10-Fold Unit, 48" / 1000	
13	A9704GY91	Offset Link, 32" / 600	Indoor
14	A9704GY92	Offset Link, 40" / 800	
15	A9704GY93	Offset Link, 48" / 1000	
16	9704GY244 A9704GY94	Offset Link, 32" / 600	Outdoor
17	9704GY245 A9704GY95	Offset Link, 40" / 800	
18	9704GY247 A9704GY96	Offset Link, 48" / 1000	

Escalator Step Chain 510E:

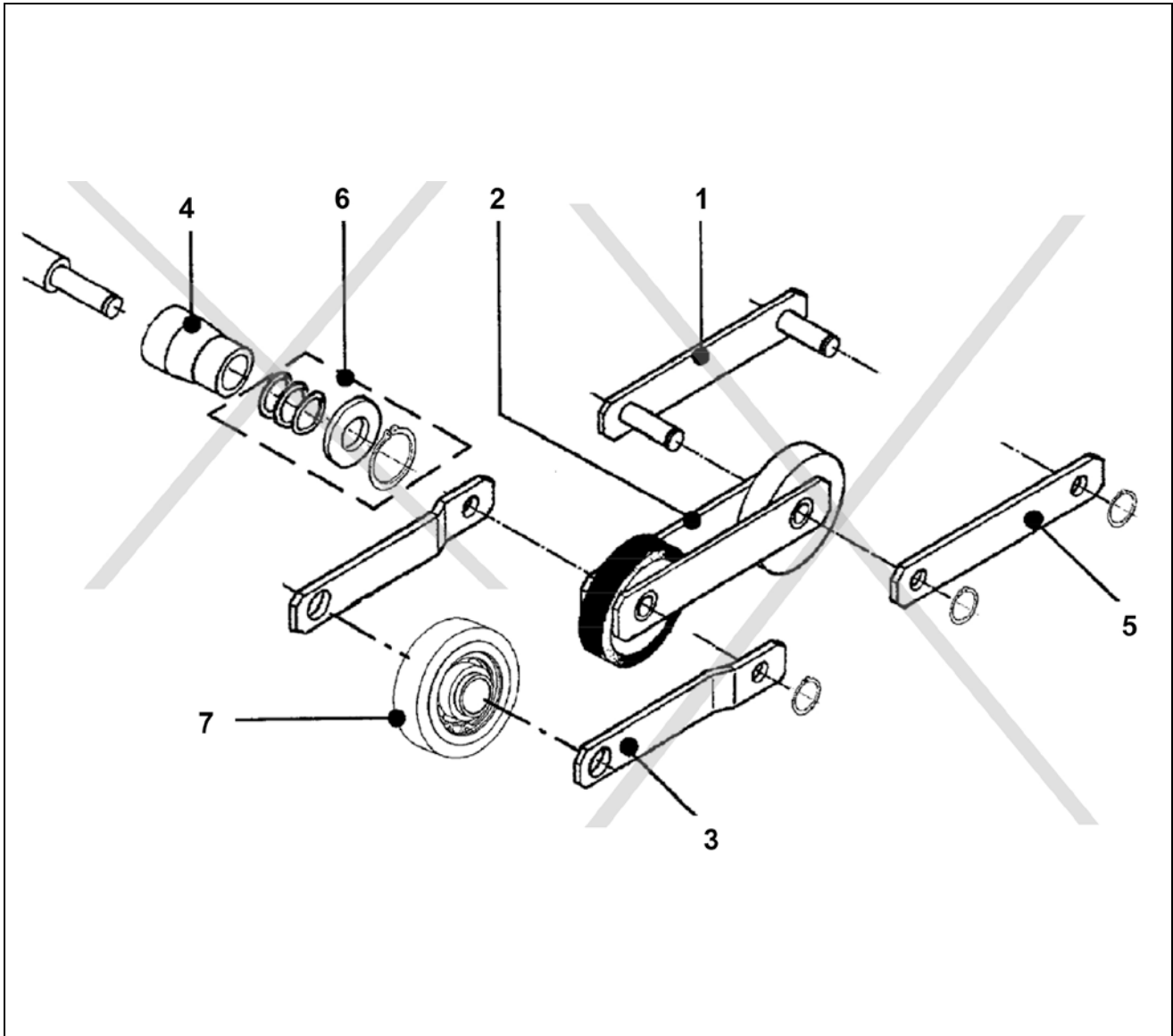
54-9704GY

Oil-Lubricated, Bolt Ø 20 mm



VINTAGE G. 02		
REF. No.	PART No.	DESCRIPTION
1	GO9704BH13	Outer Link w/Pins & Retaining Rings
2	GO9704BH14	Outer Link w/Pin & Retaining Ring
3	GO9704BG4 GOA9704BG4	Inner Link w/Rollers
4	GO9704BF4	Inner Link w/Rollers
5	GX210AL500	Bushing
6	GO430AR7	Outer Link
7	GO2215B70	Hardware

Escalator Step Chain 510E:
Oil-Lubricated, Bolt Ø 20 mm



VINTAGE G. 02		
REF. No.	PART No.	DESCRIPTION
1	GO9704BH14	Outer Link w/Pins & Retaining Rings
2	GO9704BG4 GOA9704BG4	Inner Link w/Rollers
3	GO430AR10	Connecting Link
4	GX210AL500	Bushing
5	GO430AR7	Outer Link
6	GO2215B70	Hardware
7	GO290AJ8	Roller. Use with 9704GY