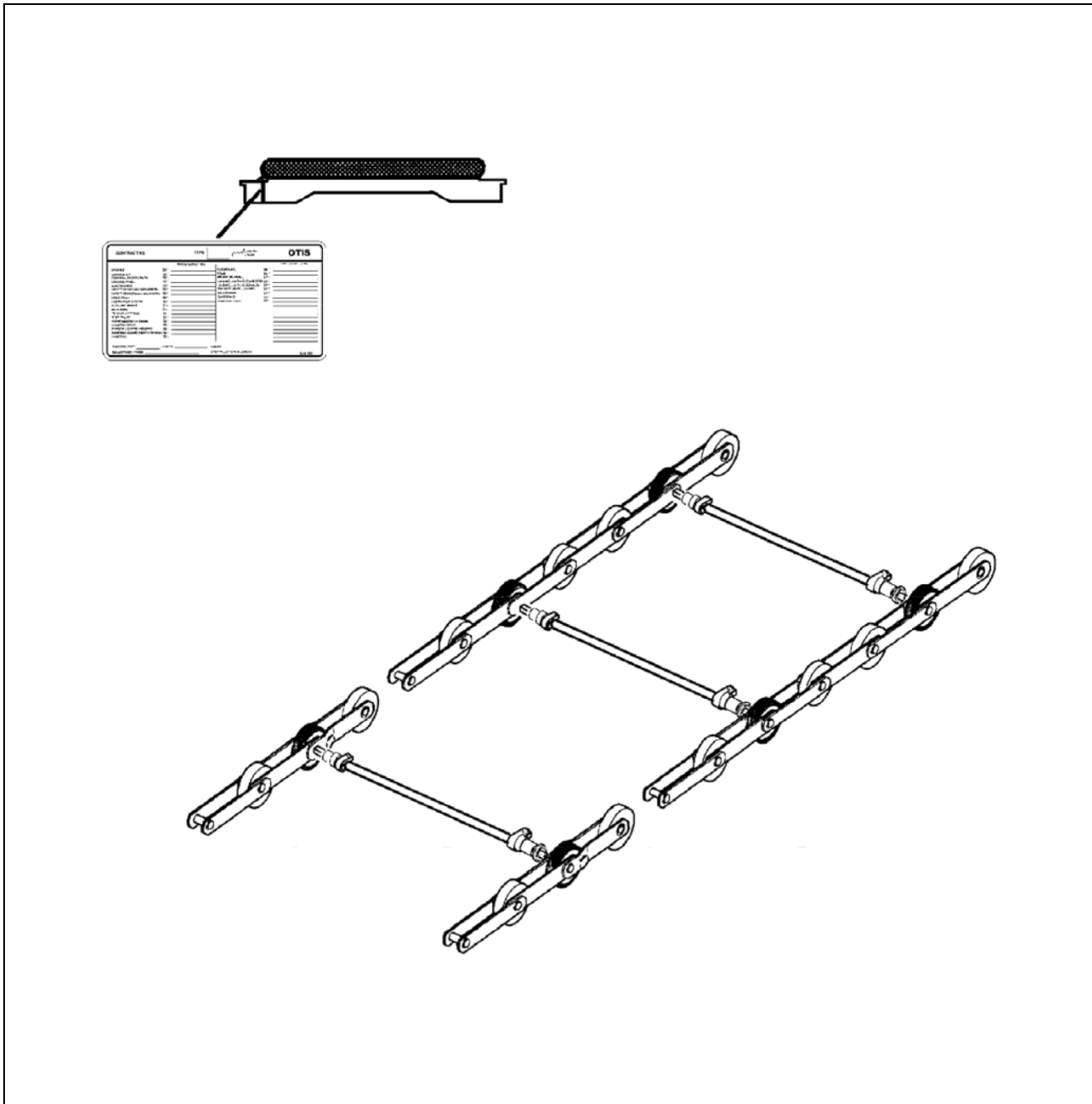


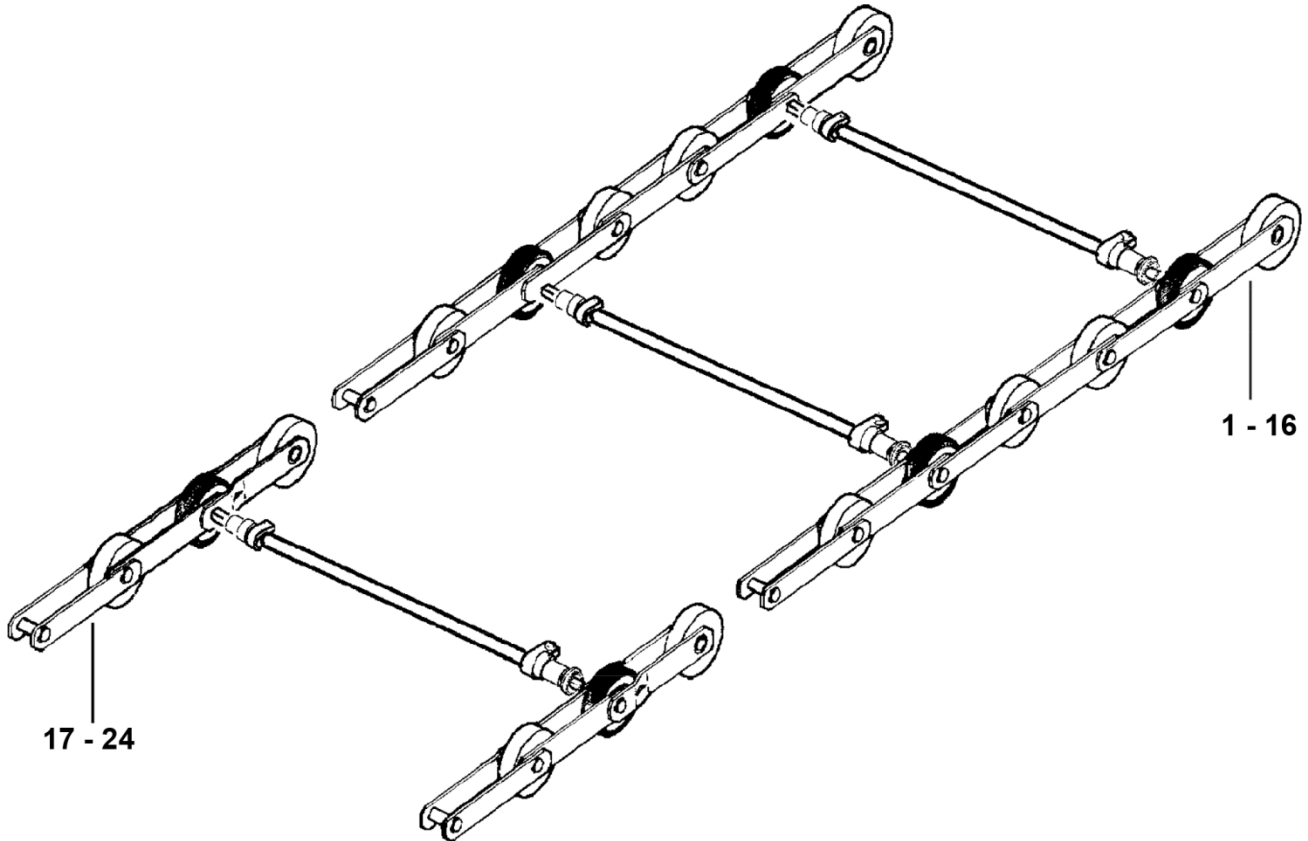
Trav-O-Lator UT / 606 Pallet Chain

Spare Parts Leaflet
54-9741EB

November 2005 / Page 1 of 6



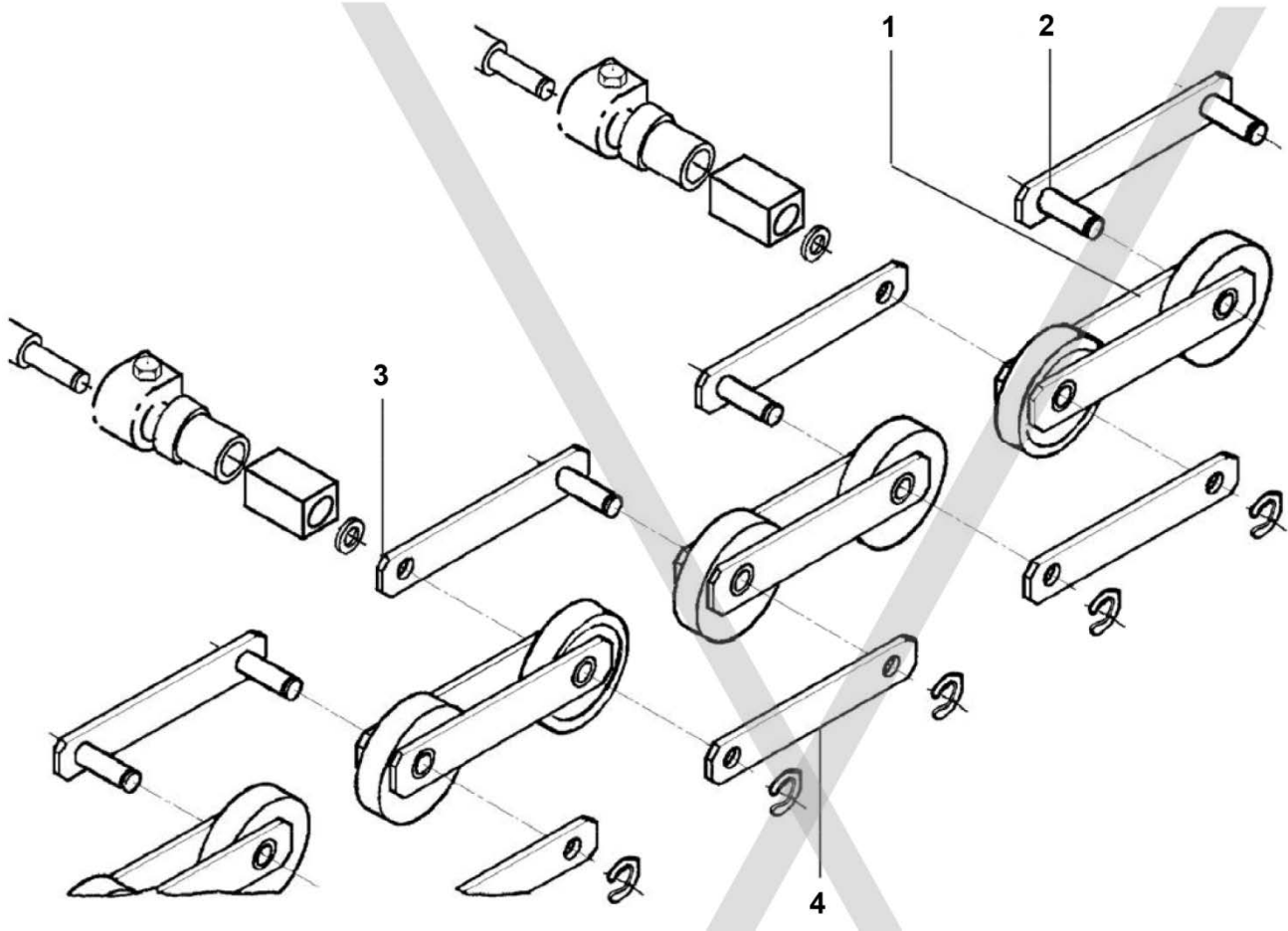
OTIS



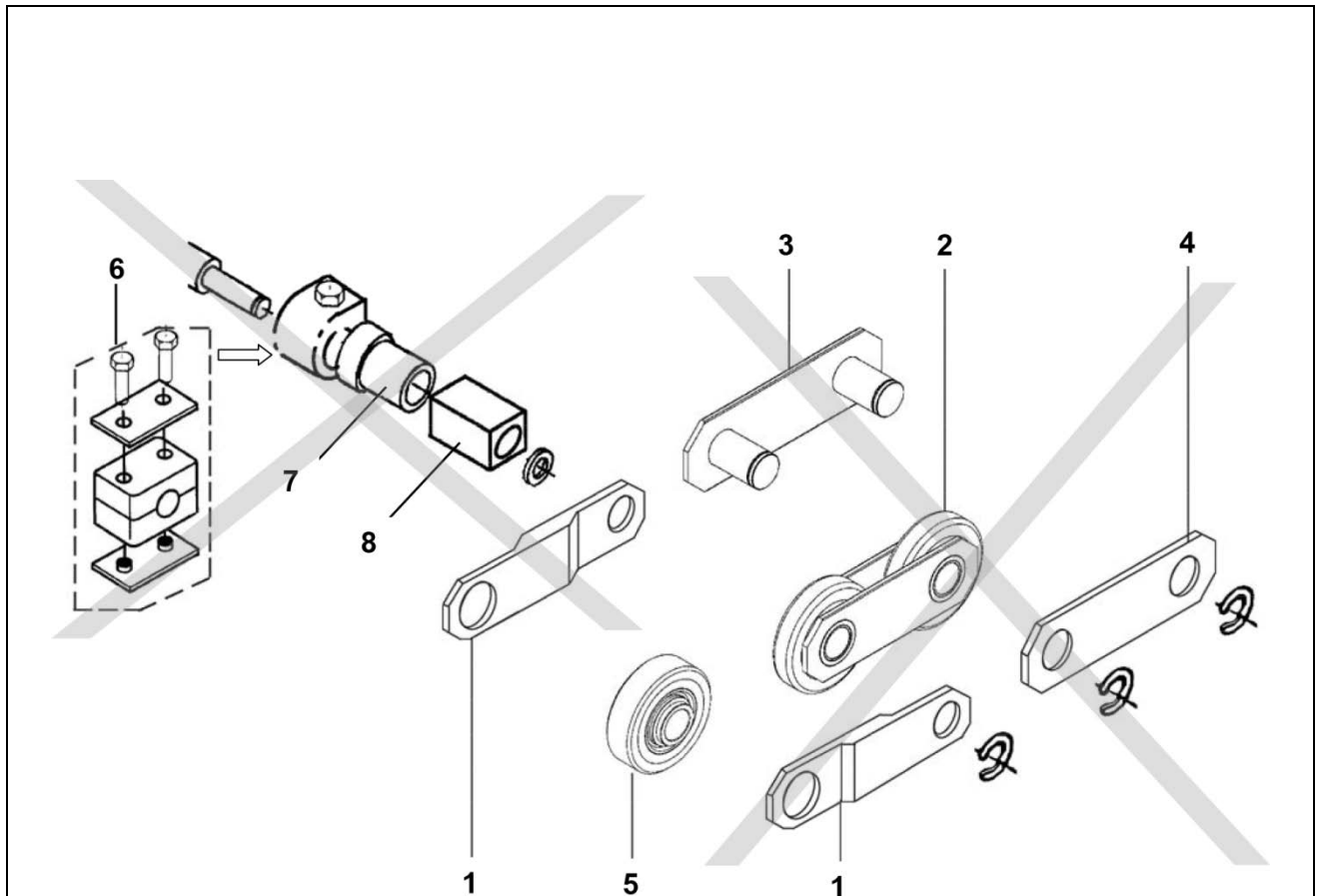
REF. No.	PART No.	DESCRIPTION
	9741EB GBA26350P	
1	9741EB4 GBA26350P1	2-Fold Unit 32 in. Indoor 600
2	9741EB2 GBA26350P2	2-Fold Unit 40 in. Indoor 800
3	9741EB3 GBA26350P27	2-Fold Unit 44 in. Indoor 900
4	9741EB4 GBA26350P3	2-Fold Unit 48 in. Indoor 1000
5	9741EB5 GBA26350P10	2-Fold Unit 32 in. Outdoor 600

6	9741EB6 GBA26350P11	2-Fold Unit 40 in. Outdoor 800
7	9741EB7 GBA26350P28	2-Fold Unit 44 in. Outdoor 900
8	9741EB8 GBA26350P12	2-Fold Unit 48 in. Outdoor 1000
9	9741EB9 GBA26350P4	10-Fold Unit 32 in. Indoor 600
10	9741EB10 GBA26350P5	10-Fold Unit 40 in. Indoor 800
11	9741EB11 GBA26350P29	10-Fold Unit 44 in. Indoor 900
12	9741EB12 GBA26350P6	10-Fold Unit 48 in. Indoor 1000
13	9741EB13 GBA26350P13	10-Fold Unit 32 in. Outdoor 600
14	9741EB14 GBA26350P14	10-Fold Unit 40 in. Outdoor 800
15	9741EB15 GBA26350P30	10-Fold Unit 44 in. Outdoor 900
16	9741EB16 GBA26350P15	10-Fold Unit 48 in. Outdoor 1000
17	9741EB17 GBA26350P7	Offset Link 32 in. Indoor 600
18	9741EB18 GBA26350P8	Offset Link 40 in. Indoor 800
19	9741EB19 GBA26350P31	Offset Link 44 in. Indoor 800
20	9741EB20 GBA26350P9	Offset Link 48 in. Indoor 900
21	9741EB21 GBA26350P16	Offset Link 32 in. Outdoor 600
22	9741EB22 GBA26350P17	Offset Link 40 in. Outdoor 800
23	9741EB23 GBA26350P32	Offset Link 44 in. Outdoor 900
24	9741EB24 GBA26350P18	Offset Link 48 in. Outdoor 1000

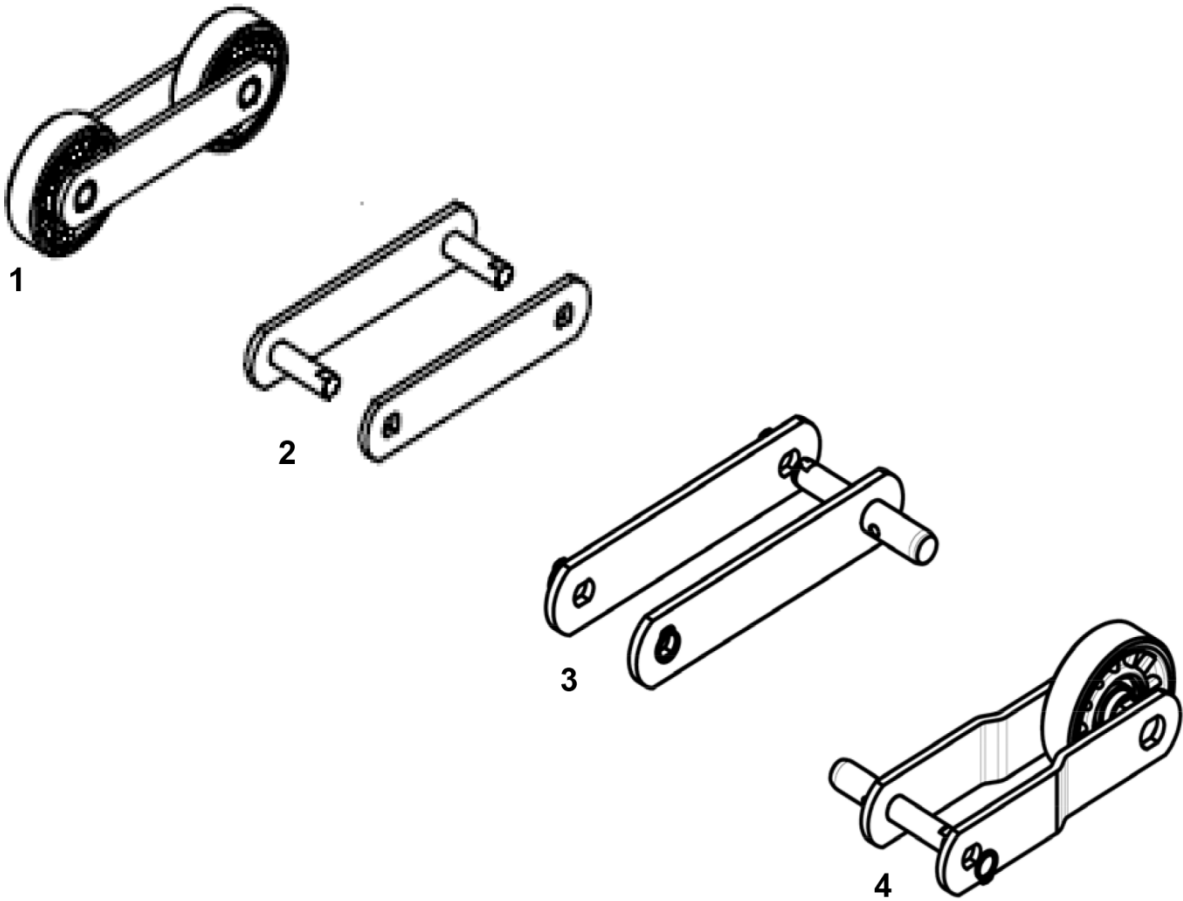
 Page 2



REF. No.	PART No.	DESCRIPTION
	9741EB	
1	9701DK94 9741EB26 9701DK92 9741EB25 9701DK129	Inner Link
2	9701DK101	Outer Link with Pins & Retaining Rings
3	9701DK96	Outer Link with Pin & Retaining Ring
4	GO430AH1	Outer Link



REF. No.	PART No.	DESCRIPTION
	9741EB	
4	430BC1	Connecting Link, See p. 2
2	9701DK129	Inner Link with Roller, See p. 2
3	9701DK101	Outer Link with Pins & Retaining Rings, See p. 2
4	GO430AH1	Outer Link, See p. 2
5	GO290AJ11 GAA290CF1	Roller w/ 9741EB
6	GO2215B69 GAA339GV2	Clamp, See p. 2
7	GO210P1 GO210AG4	Plan-Bearing Bushing, See p. 2
8	GO210R1	Sliding Stone, See p. 2



W → **G..26350P**

REF. No.	PART No.	DESCRIPTION
1	GBA26350P19	Inner Link Compl.
2	GBA26350P20	Outer Link Compl.
3	GBA26350P21	Outer Link Axle
4	GBA26350P23	Offset Link