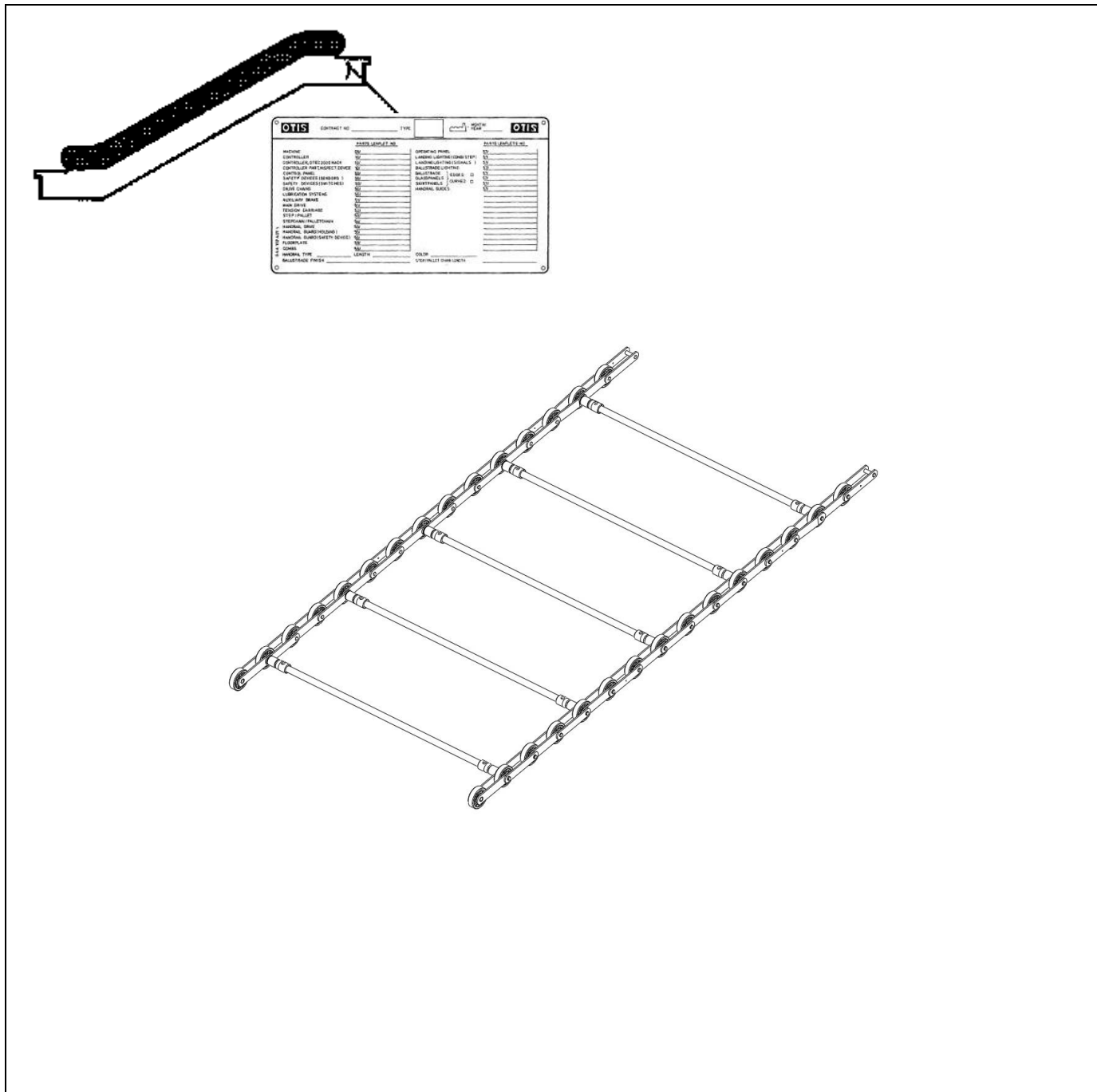


ESCALATOR Step Chain

Spare Parts Leaflet

54-A9704GY

Jul. 11, 2019 / Page 1 of 3



Unpublished Work—© Otis Elevator Co.



Safety First!

ESCALATOR ENGINEERING
Otis Elevator Company
OTIS ENGINEERING CHINA
ESCALATOR

ESCALATOR 54-A9704GY

History

Leaflet Description

Step Chain

Leaflet Revisions

Date Revised	Subject Matter Expert	Reason for Revision
2019-07-11	Xia, Jing	New SPL(CN No.:CNT1900772)

Related Drawings

Drawing No.	Title	Drawing No.	Title
A9704GY	STEP CHAIN		

Related Documents

Document ID	Title
(ODS)_HE0401C	NAA STEP CHAIN
(EBOM)_ A9704GY	STEP CHAIN

Subject Matter Expert

Name	Department
Xia, Jing	OTIS ENGINEERING CHINA ESCALATOR

About Spare Parts Leaflets...

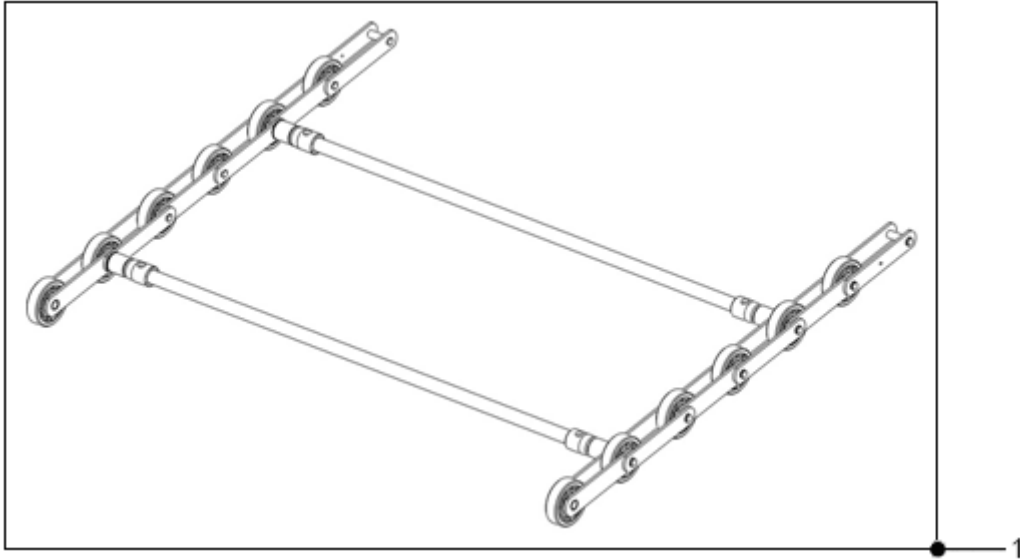
This document lists the lowest replaceable units (LRUs) for the standard version of the product. The LRUs are chosen by a team of Otis associates representing engineering and manufacturing.

While goal of this document is to make parts identification as easy as possible, the document cannot be all-inclusive. Elevator and escalator contracts classified as "special" or "custom" are not addressed here. For such contracts, please refer to specified information, the contract folder, TIPS, Field Education Articles, Construction Letters, etc. for further information.

If you have any suggestions about this document, please contact the subject matter expert listed on this page.

ESCALATOR Step Chain

Spare Parts Leaflet
54-A9704GY



GAA26140M

REF. No.	PART No.	DESCRIPTION
1	A9704GY15	SOLID AXLE STEP CHAIN TYPE 1000, 2-FOLD, Ø12.7 PIN, INDOOR
	A9704GY18	SOLID AXLE STEP CHAIN TYPE 1000, 2-FOLD, Ø12.7 PIN, OUTDOOR
	A9704GY21	SOLID AXLE STEP CHAIN TYPE 1000, 10-FOLD, Ø12.7 PIN, INDOOR
	A9704GY24	SOLID AXLE STEP CHAIN TYPE 1000, 10-FOLD, Ø12.7 PIN, OUTDOOR
	A9704GY49	SOLID AXLE STEP CHAIN TYPE 1000, OFFSET LINK, Ø12.7 PIN, INDOOR
	A9704GY52	SOLID AXLE STEP CHAIN TYPE 1000, OFFSET LINK, Ø12.7 PIN, OUTDOOR