



**ESCALATOR**  
**54-DAA26150A**

**History**

**Leaflet Description**

**Step Chain**

**Leaflet Revisions**

<b>Date Revised</b>	<b>Subject Matter Expert</b>	<b>Reason for Revision</b>
2019-07-11	Xia, Jing	New SPL(CN No.:CNT1900772)

**Related Drawings**

<b>Drawing No.</b>	<b>Title</b>	<b>Drawing No.</b>	<b>Title</b>
DAA26150A	STEP CHAIN		

**Related Documents**

<b>Document ID</b>	<b>Title</b>
(ODS)_HE0401C	NAA STEP CHAIN
(EBOM)_DAA26150A	STEP CHAIN

**Subject Matter Expert**

<b>Name</b>	<b>Department</b>
Xia, Jing	OTIS ENGINEERING CHINA ESCALATOR

**About Spare Parts Leaflets...**

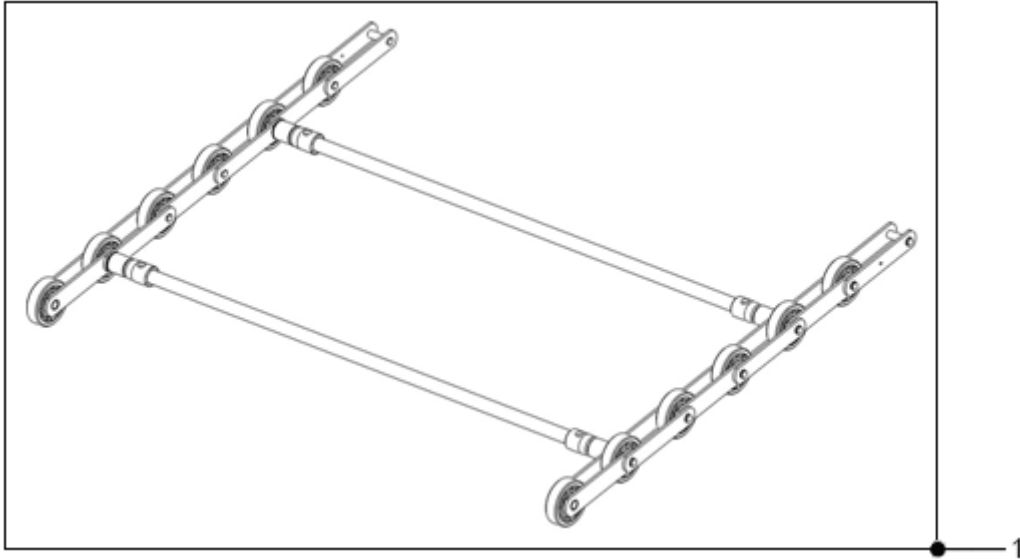
This document lists the lowest replaceable units (LRUs) for the standard version of the product. The LRUs are chosen by a team of Otis associates representing engineering and manufacturing.

While goal of this document is to make parts identification as easy as possible, the document cannot be all-inclusive. Elevator and escalator contracts classified as "special" or "custom" are not addressed here. For such contracts, please refer to specified information, the contract folder, TIPS, Field Education Articles, Construction Letters, etc. for further information.

If you have any suggestions about this document, please contact the subject matter expert listed on this page.

# ESCALATOR Step Chain

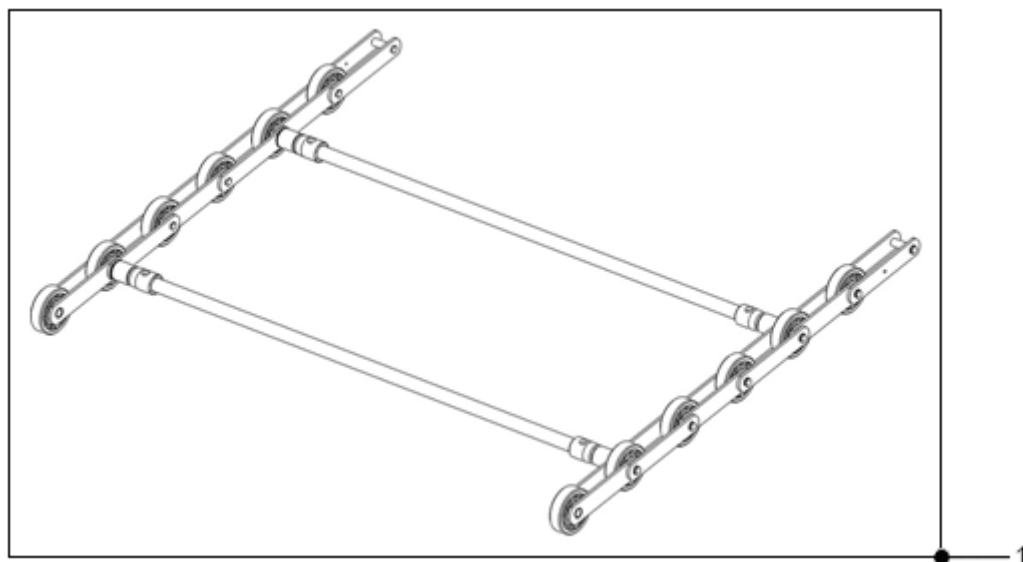
**Spare Parts Leaflet  
54-DAA26150A**



REF. No.	PART No.	DESCRIPTION
	<b>GAA26140M</b>	
1	DAA26150A1	SOLID AXLE STEP CHAIN TYPE 600, 2-FOLD, Ø12.7 PIN, INDOOR
	DAA26150A2	SOLID AXLE STEP CHAIN TYPE 800, 2-FOLD, Ø12.7 PIN, INDOOR
	DAA26150A3	SOLID AXLE STEP CHAIN TYPE 1000, 2-FOLD, Ø12.7 PIN, INDOOR
	DAA26150A4	SOLID AXLE STEP CHAIN TYPE 600, 10-FOLD, Ø12.7 PIN, INDOOR
	DAA26150A5	SOLID AXLE STEP CHAIN TYPE 800, 10-FOLD, Ø12.7 PIN, INDOOR
	DAA26150A6	SOLID AXLE STEP CHAIN TYPE 1000,10-FOLD, Ø12.7 PIN, INDOOR

**Spare Parts Leaflet**  
**54-DAA26150A**

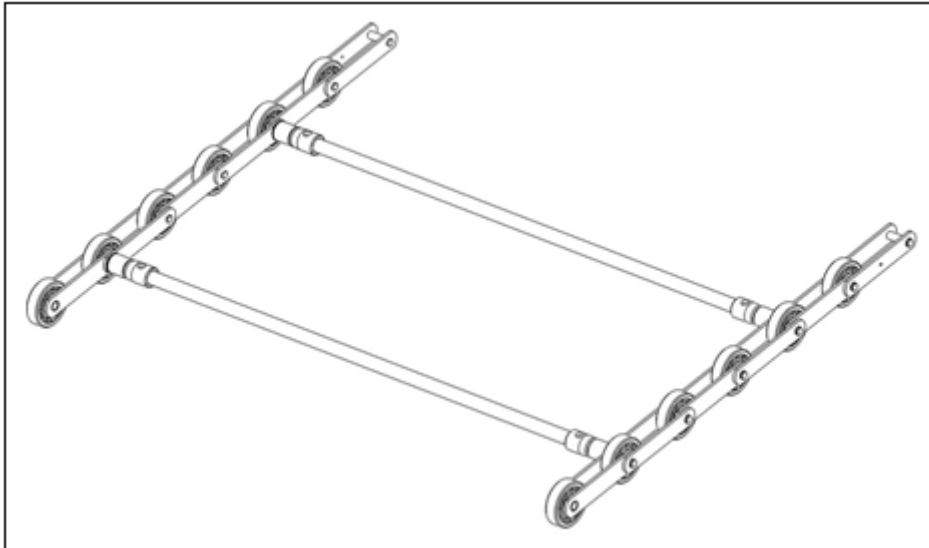
**ESCALATOR**  
**Step Chain**



GAA26140M		
REF. No.	PART No.	DESCRIPTION
1	DAA26150A7	SOLID AXLE STEP CHAIN TYPE 600, OFFSET LINK, Ø12.7 PIN, INDOOR
	DAA26150A8	SOLID AXLE STEP CHAIN TYPE 800, OFFSET LINK, Ø12.7 PIN, INDOOR
	DAA26150A9	SOLID AXLE STEP CHAIN TYPE 1000, OFFSET LINK, Ø12.7 PIN, INDOOR
	DAA26150A10	SOLID AXLE STEP CHAIN TYPE 600, 2-FOLD, Ø12.7 PIN, OUTDOOR
	DAA26150A11	SOLID AXLE STEP CHAIN TYPE 800, 2-FOLD, Ø12.7 PIN, OUTDOOR
	DAA26150A12	SOLID AXLE STEP CHAIN TYPE 1000,2-FOLD, Ø12.7 PIN, OUTDOOR

# ESCALATOR Step Chain

## Spare Parts Leaflet 54-DAA26150A



REF. No.	PART No.	DESCRIPTION
	<b>GAA26140M</b>	
1	DAA26150A13	SOLID AXLE STEP CHAIN TYPE 600, 10-FOLD, Ø12.7 PIN, OUTDOOR
	DAA26150A14	SOLID AXLE STEP CHAIN TYPE 800, 10-FOLD, Ø12.7 PIN, OUTDOOR
	DAA26150A15	SOLID AXLE STEP CHAIN TYPE 1000, 10-FOLD, Ø12.7 PIN, OUTDOOR
	DAA26150A16	SOLID AXLE STEP CHAIN TYPE 600, OFFSET LINK, Ø12.7 PIN, OUTDOOR
	DAA26150A17	SOLID AXLE STEP CHAIN TYPE 800, OFFSET LINK, Ø12.7 PIN, OUTDOOR
	DAA26150A18	SOLID AXLE STEP CHAIN TYPE 1000, OFFSET LINK, Ø12.7 PIN, OUTDOOR