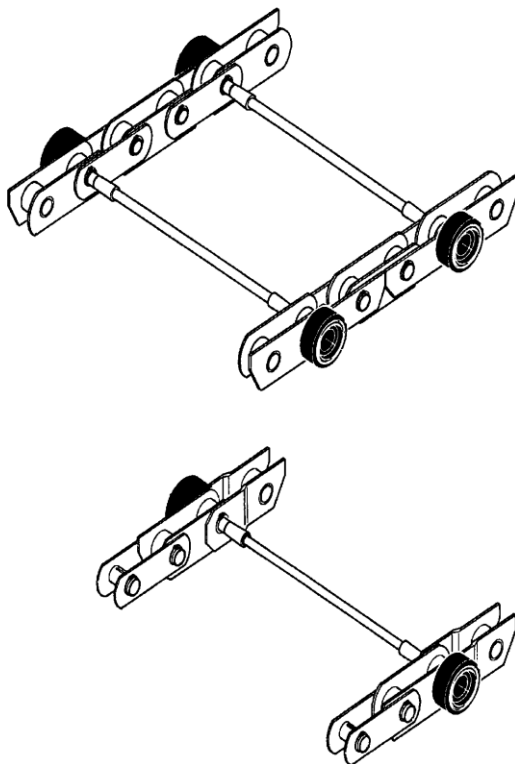
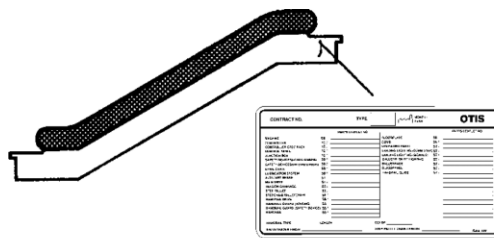


**Escalator 520NPE/
HD-B/HD-C
Step Chain**

Spare Parts Leaflet

54-GAA26150B

04/01/2003 / Page 1 of 13



OTIS

Safety First!

ENGINEERING
Otis Escalator Systems
Stadthagen Germany

Leaflet Description

This document shows the replacement of the types HD-B (pin \varnothing 40 mm) grease lubricated and HD-C (pin \varnothing 42 mm) grease lubricated, which were named originally 54-9702AK. These chain types can also be used in escalator type 520NPE.

For the type HD-A (pin \varnothing 20 mm) grease lubricated, find further on the leaflet 54-9702AK.

For the type HD-A (pin \varnothing 20 mm) oil lubricated, please look on the leaflet 54-GAA26150G.

For the type 516A (pin \varnothing 30 mm) oil lubricated, please look on the leaflet 54-GAA26150K.

For the type HD-B (pin \varnothing 40 mm) oil lubricated, please look on the leaflet 54-GAA26150L.

For the type HD-C (pin \varnothing 42) oil lubricated, please look on the leaflet 54-GAA26150M.

Leaflet Revisions

Date Revised	Subject Matter Expert	Reason for Revision
February 24, 2003	Wilfried Gohlke	Part numbers cancelled. Replaced by SPL 54-GAA26150K

Related Drawings

Drawing No.	Title	Drawing No.	Title
GBA26150B	Escalator Step Chain		

Related Documents

Document ID	Title
Type & No.	Title

Subject Matter Expert

Name	Department
Markus Hame	Engineering Stadthagen, Germany

About Spare Parts Leaflets...

This document lists the lowest replaceable units (LRUs) for the standard version of the product. The LRUs are chosen by a team of Otis associates representing engineering and manufacturing.

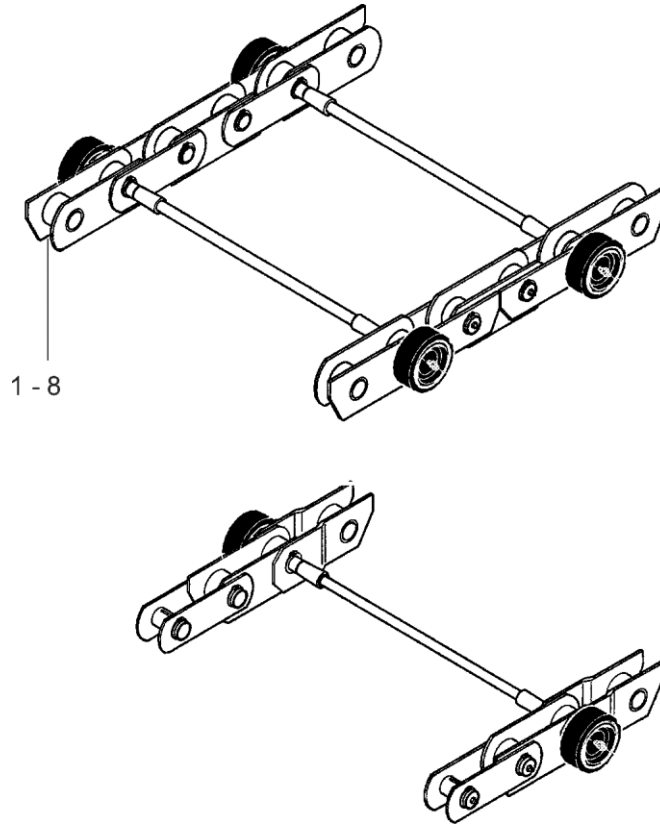
While goal of this document is to make parts identification as easy as possible, the document cannot be all-inclusive. Elevator and escalator contracts classified as "special" or "custom" are not addressed here. For such contracts, please refer to specified information, the contract folder, TIPs, Field Education Articles, Construction Letters, etc. for further information.

If you have any suggestions about this document, please contact the subject matter expert listed on this page.

Escalator HD-B

Step Chain (pin \varnothing 40 mm)

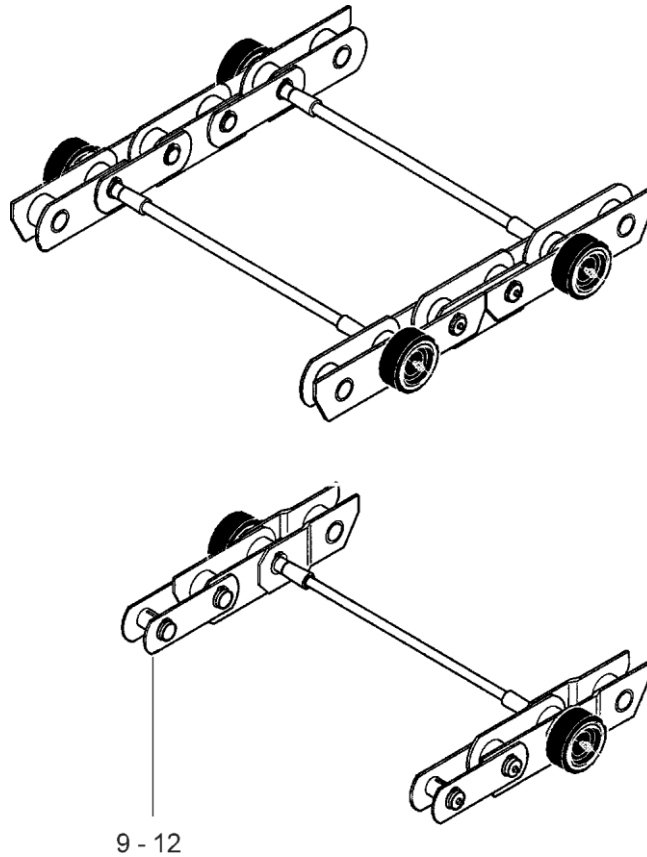
54-GAA26150B



GBA26150B			
REF No.	PART No.	DESCRIPTION	LOCATED
1	GBA26150B301	2-fold Unit 32" / 600 mm	indoor
2	GBA26150B302	2-fold Unit 48"/1000 mm	
3	GBA26150B303	10-fold Unit 32" / 600 mm	
4	GBA26150B304	10-fold Unit 48" / 1000 mm	outdoor
5	9702AK13 GBA26150B305	2-fold Unit 32" / 600 mm	
6	9702AK14 GBA26150B306	2-fold Unit 48" / 1000 mm	
7	9702AK15 GBA26150B307	10-fold Unit 32" / 600 mm	
8	9702AK16 GBA26150B308	10-fold Unit 48" / 1000 mm	

54-GAA26150B

Escalator 520NPE Step Chain (pin \varnothing 30 mm)

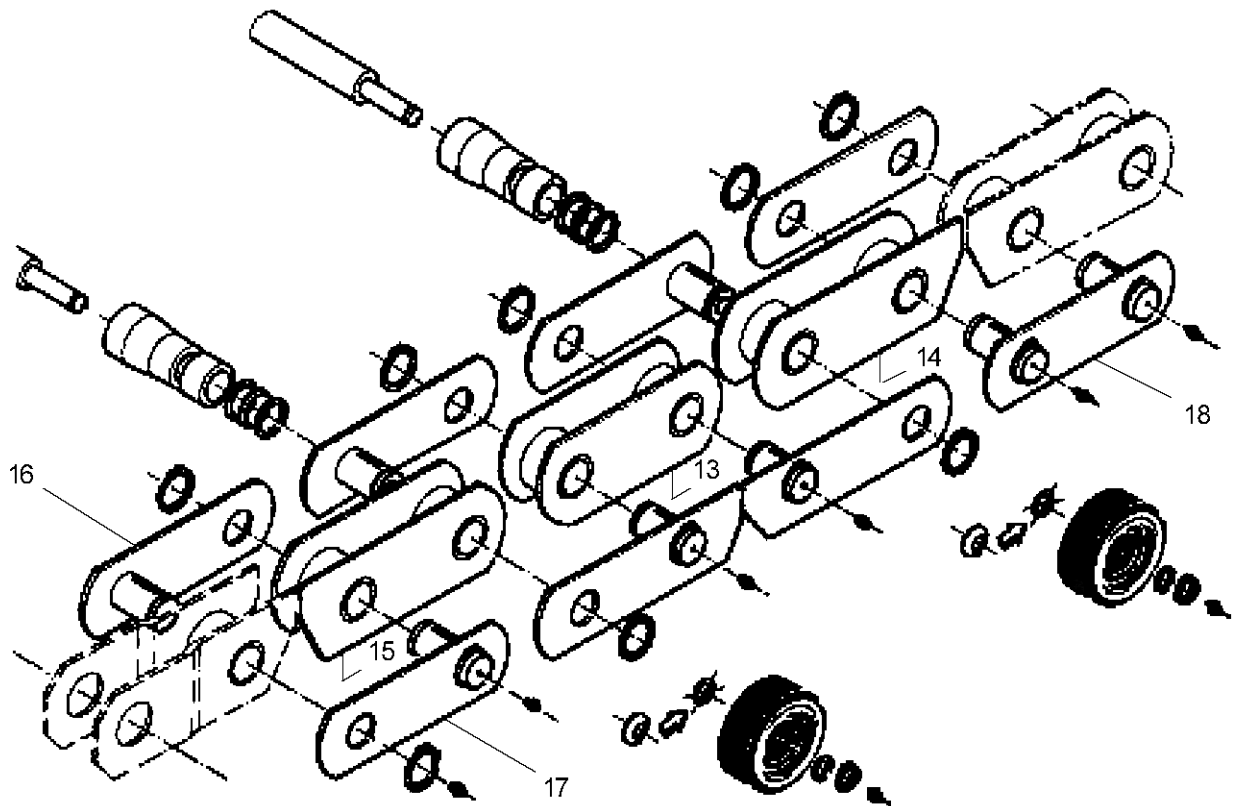


REF No.	GBA26150B PART No.	DESCRIPTION	LOCATED
9	GBA2610B309	Offset link 32" / 600	indoor
10	GBA2610B310	Offset link 48" / 1000	
11	9702AK27 GBA2610B311	Offset link 32" / 600	outdoor
12	9702AK28 GBA26150B312	Offset link 48" / 1000	

Escalator HD-B

Step Chain (pin \varnothing 40 mm)

54-GAA26150B

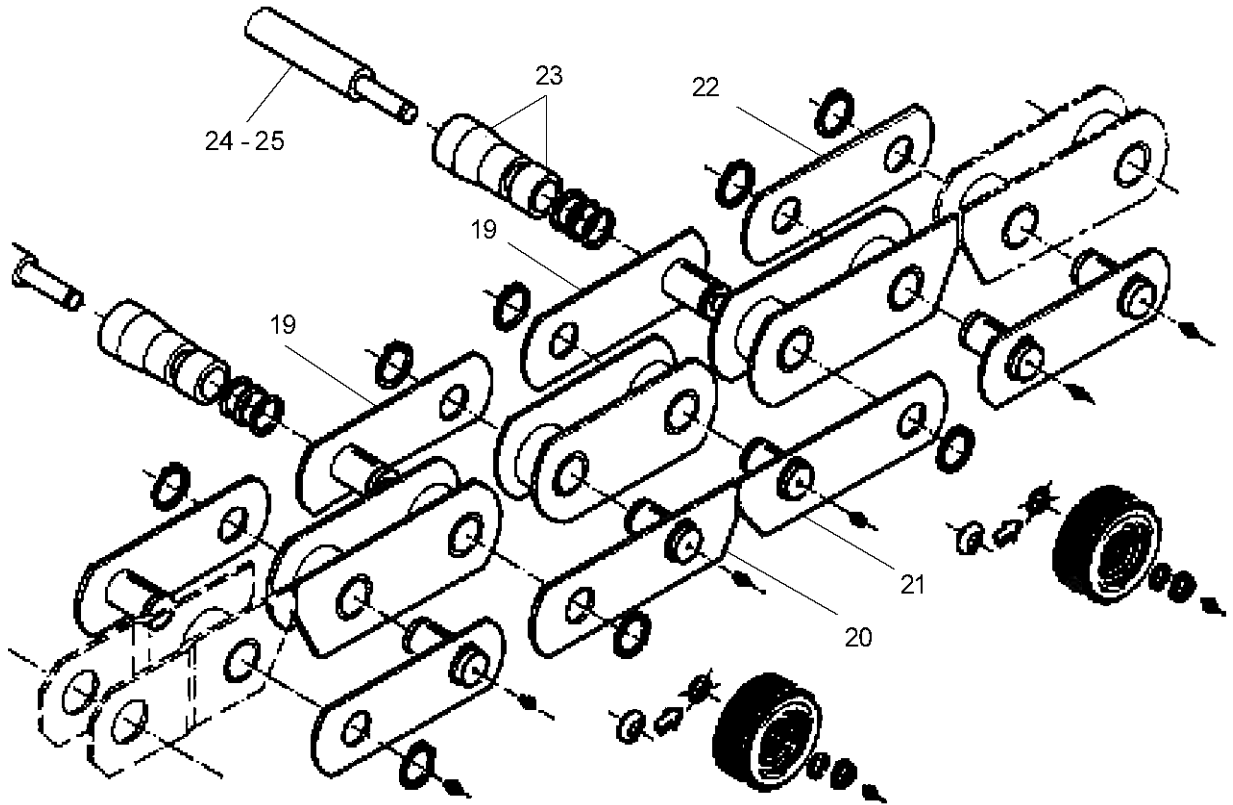


GBA26150B		
REF No.	PART No.	DESCRIPTION
13	GO430AL4 GBA26150B313	Inner link
14	GO430AL3 GBA26150B314	Inner link
15	GO430AL2 GBA26150B315	Inner link
16	GO430AK2 GBA26150B316	Outer link
17	GO430AK5 GBA26150B317	Outer link
18	GO430AK14 GBA26150B318	Outer link

Escalator HD-B

Step Chain (pin \varnothing 40 mm)

54-GAA26150B

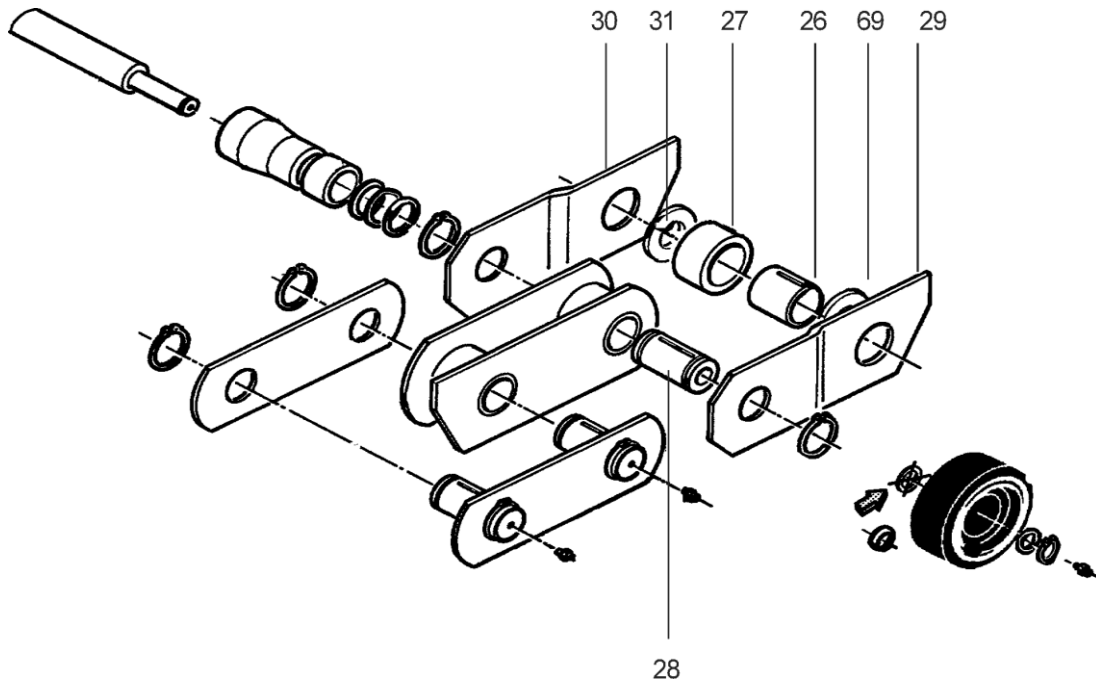


GBA26150B		
REF No.	PART No.	DESCRIPTION
19	GO430AK7 GBA26150B319	Outer link
20	GO430KAK9 GBA26150B320	Outer link
21	GO430AK10 GBA2610B321	Outer link
22	GO430AD2 GAA430ED2	Outer link
23	GX210AL505	Bushing
24	GO502BH3	Axle, 32" / 600 mm
25	GO502BH4	Axle, 48"/1000 mm

Escalator HD-B

Step Chain (pin \varnothing 40 mm)

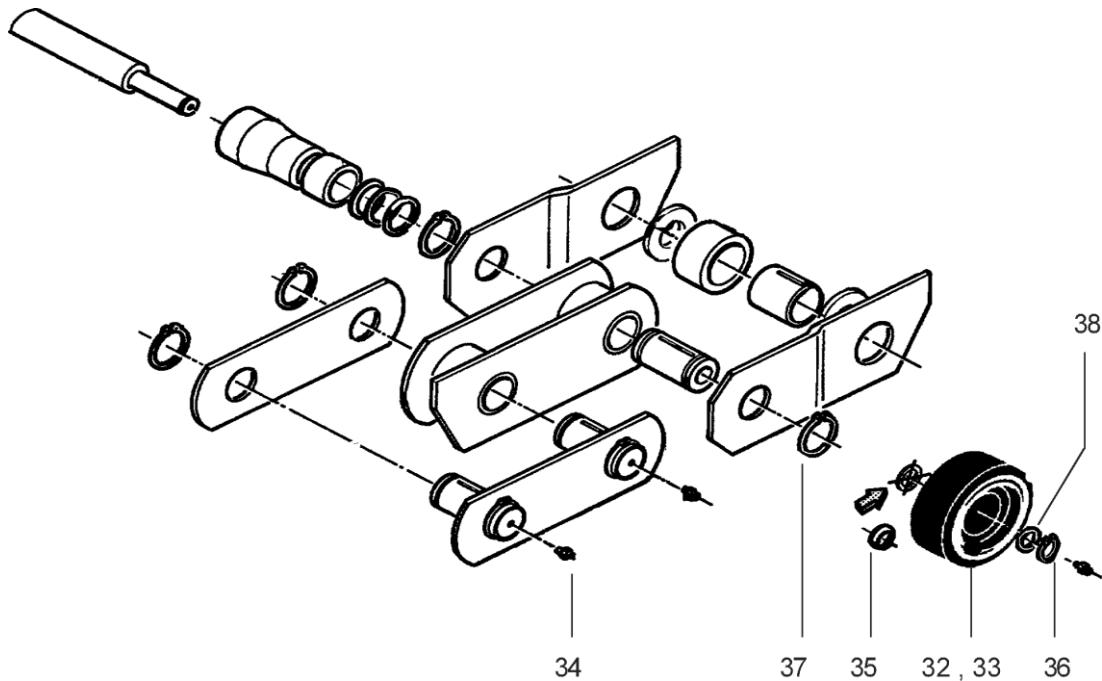
54-GAA26150B



GBA26150B		
REF No.	PART No.	DESCRIPTION
26	GO321DH2	Bushing
27	GO290AF2	Chain roller
28	GO321DJ1	Hollow pin
29	GO430AM1	Off set link
30	GO430AM2	Off set link
31	GAA131AK2	Washer

54-GAA26150B

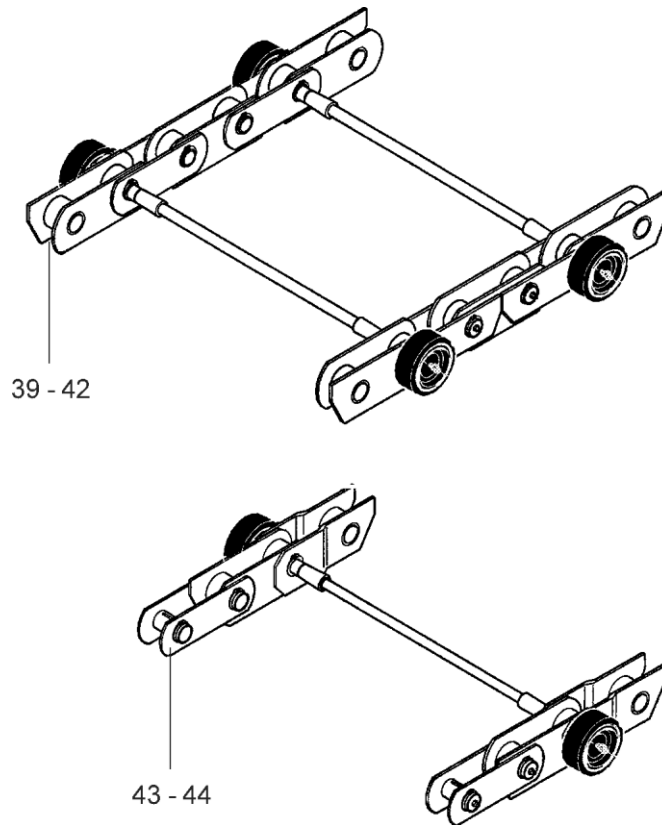
Escalator HD-B Step Chain (pin \varnothing 40 mm)



GBA26150B		
REF No.	PART No.	DESCRIPTION
32	GXFO290AR502	Roller
33	GAA346PS1	Cover
34	---	Con. head lubrication nipple AM6 DIN71412 (87106)
35	---	Cup spring B40 DIN2093 (194704)
36	---	Retaining ring 20x1,2 DIN 471 (147652)
37	---	Retaining ring 40x1,75 DIN 471 (163188)
38	---	Shim ring 20x28x0,25 DIN 988 (194712)

Escalator HD-C Step Chain (pin \varnothing 42 mm)

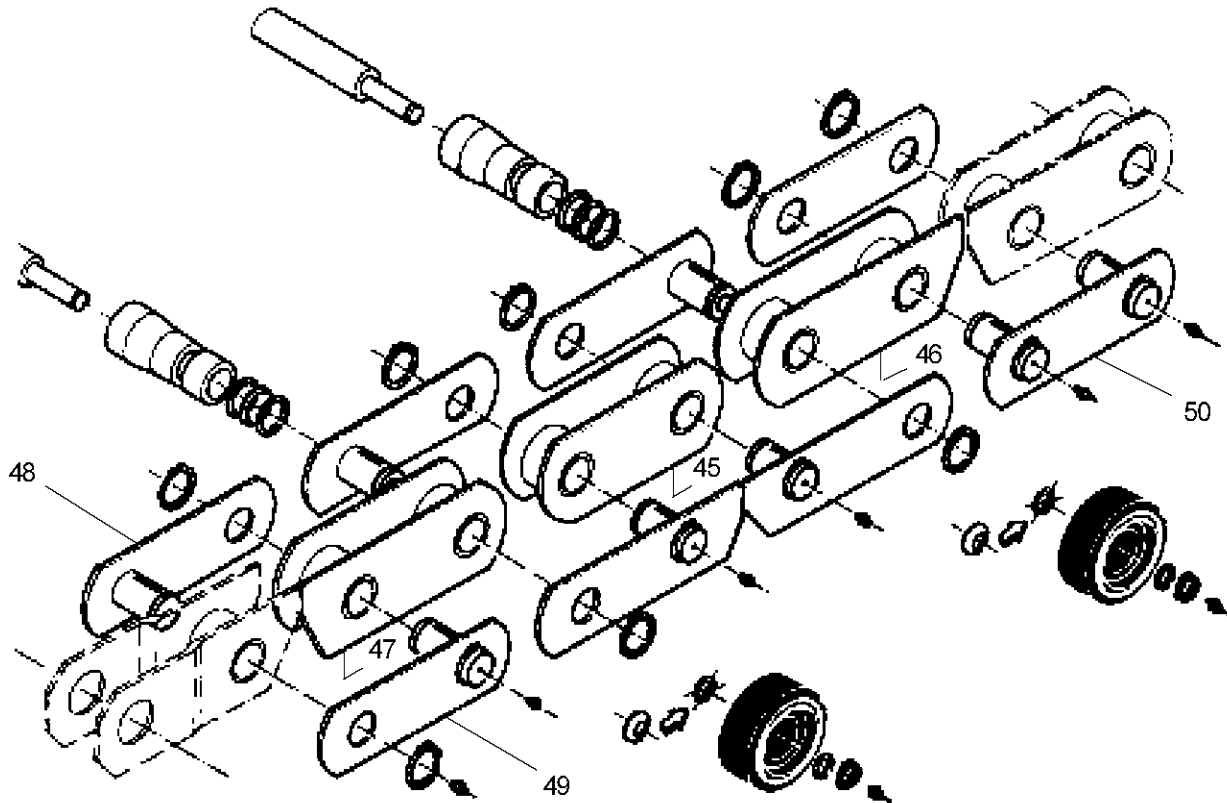
54-GAA26150B



GBA26150B			
REF No.	PART No.	DESCRIPTION	LOCATED
39	GBA26150B402	2-fold Unit 48"/1000 mm	indoor
40	GBA26150B404	10-fold Unit 48" / 1000 mm	
41	9702AK19 GBA26150B406	2-fold Unit 48"/1000 mm	outdoor
42	9702AK20 GBA26150B408	10-fold Unit 48" / 1000 mm	
43	GBA26150B410	Offset link 48"/1000 mm	indoor
44	9702AK30 GBA26150B412	Offset link 48"/1000 mm	outdoor

Escalator HD-C Step Chain (pin \varnothing 42 mm)

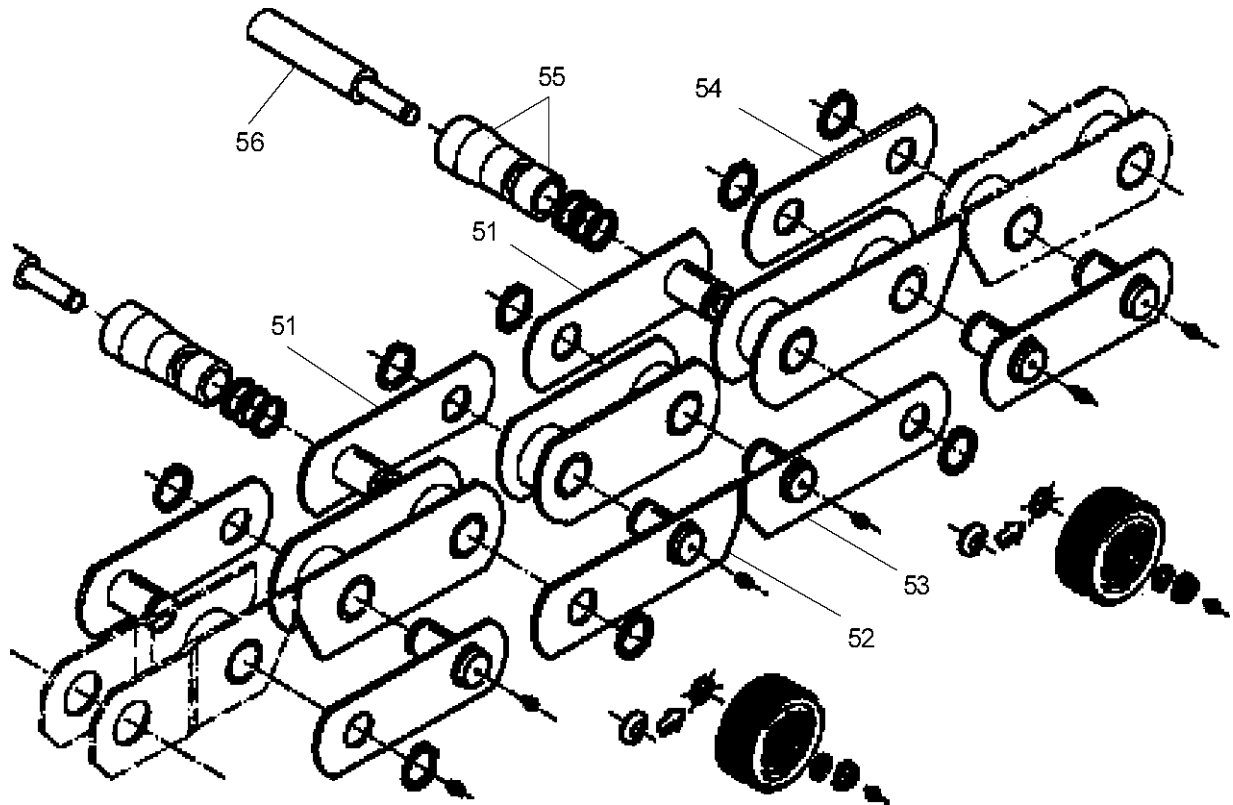
54-GAA26150B



GBA26150B		
REF No.	PART No.	DESCRIPTION
45	GO430AL7 GBA26150B413	Inner link
46	GO430AL6 GBA26150B414	Inner link
47	GO430AL5 GBA26150B415	Inner link
48	GO430AK3 GBA26150B416	Outer link
49	GO430AK6 GBA26150B417	Outer link
50	GO430AK15 GBA26150B418	Outer link

Escalator HD-C Step Chain (pin \varnothing 42 mm)

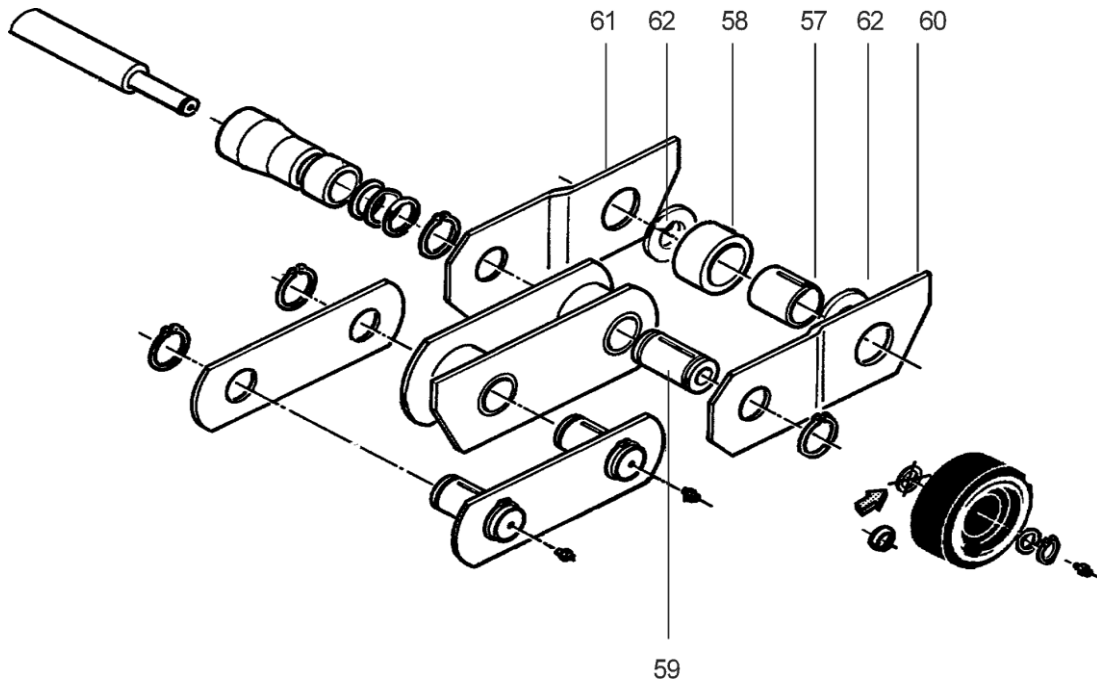
54-GAA26150B



GBA26150B		
REF No.	PART No.	DESCRIPTION
51	GO430AK8 GBA26150B419	Outer link
52	GO430AK12 GBA26150B420	Outer link
53	GO430AK11 GBA26150B421	Outer link
54	GO430AD4 GAA430ED4	Outer link
55	GX210AL500	Bushing
	GX210AL505	Bushing
56	GO502BH5	Axle, 48"/1000 mm

54-GAA26150B

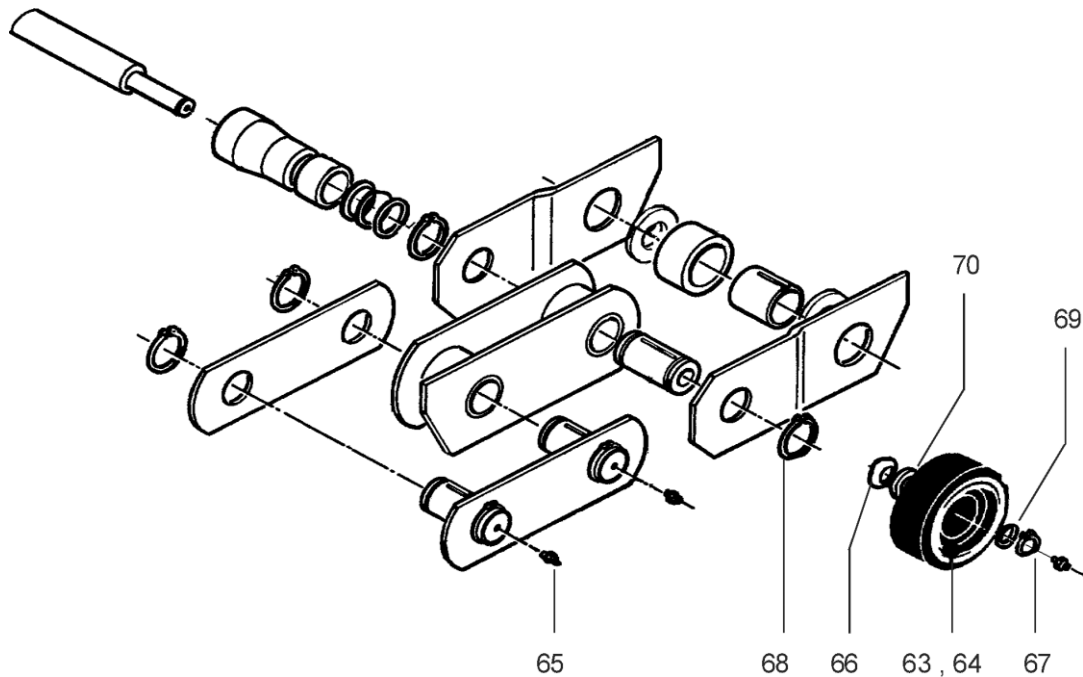
Escalator HD-C Step Chain (pin \varnothing 42 mm)



GBA26150B		
REF No.	PART No.	DESCRIPTION
57	GO321DH3	Bushing
58	GO290AF3	Chain roller
59	GO321DJ2	Hollow pin
60	GO430AM3	Off set link
61	GO430AM4	Off set link
62	GAA131AK3	Washer

Escalator HD-C Step Chain (pin \varnothing 42 mm)

54-GAA26150B



GBA26150B		
REF No.	PART No.	DESCRIPTION
63	GXFO290AR502	Roller
64	GAA346PS1	Cover
65	---	Con. head lubrication nipple AM6 DIN71412 (87106)
66	---	Cup spring B40 DIN2093 (194704)
67	---	Retaining ring 20x1,2 DIN 471 (147652)
68	---	Retaining ring 42x1,75 DIN 471 (163196)
69	---	Shim ring 20x28x0,25 DIN 988 (194712)
70	GO462BM4	Spacer