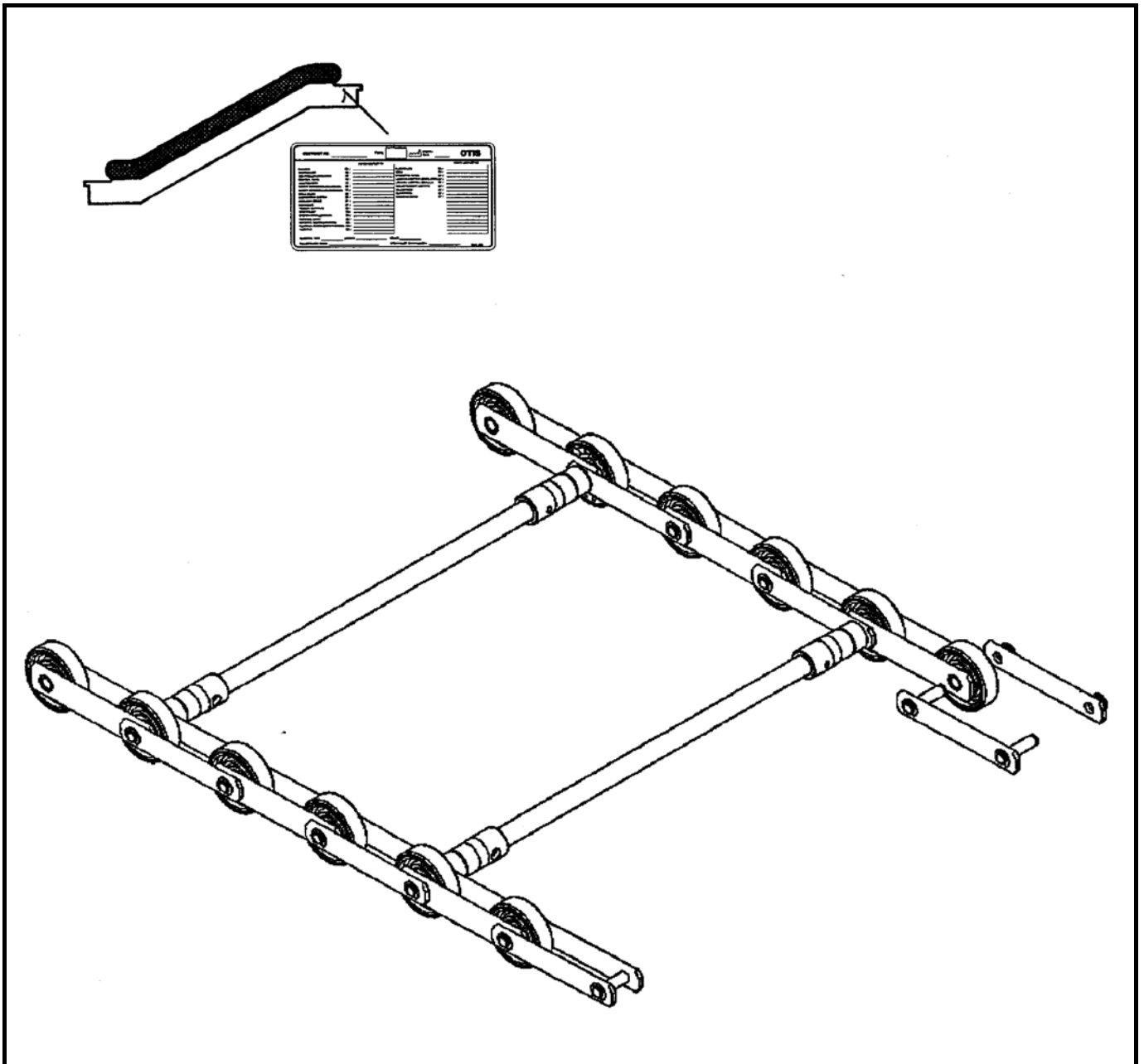


# Parts Leaflet

## ESCALATOR STEP CHAIN 506 NCE, 506, -SL, SL/R

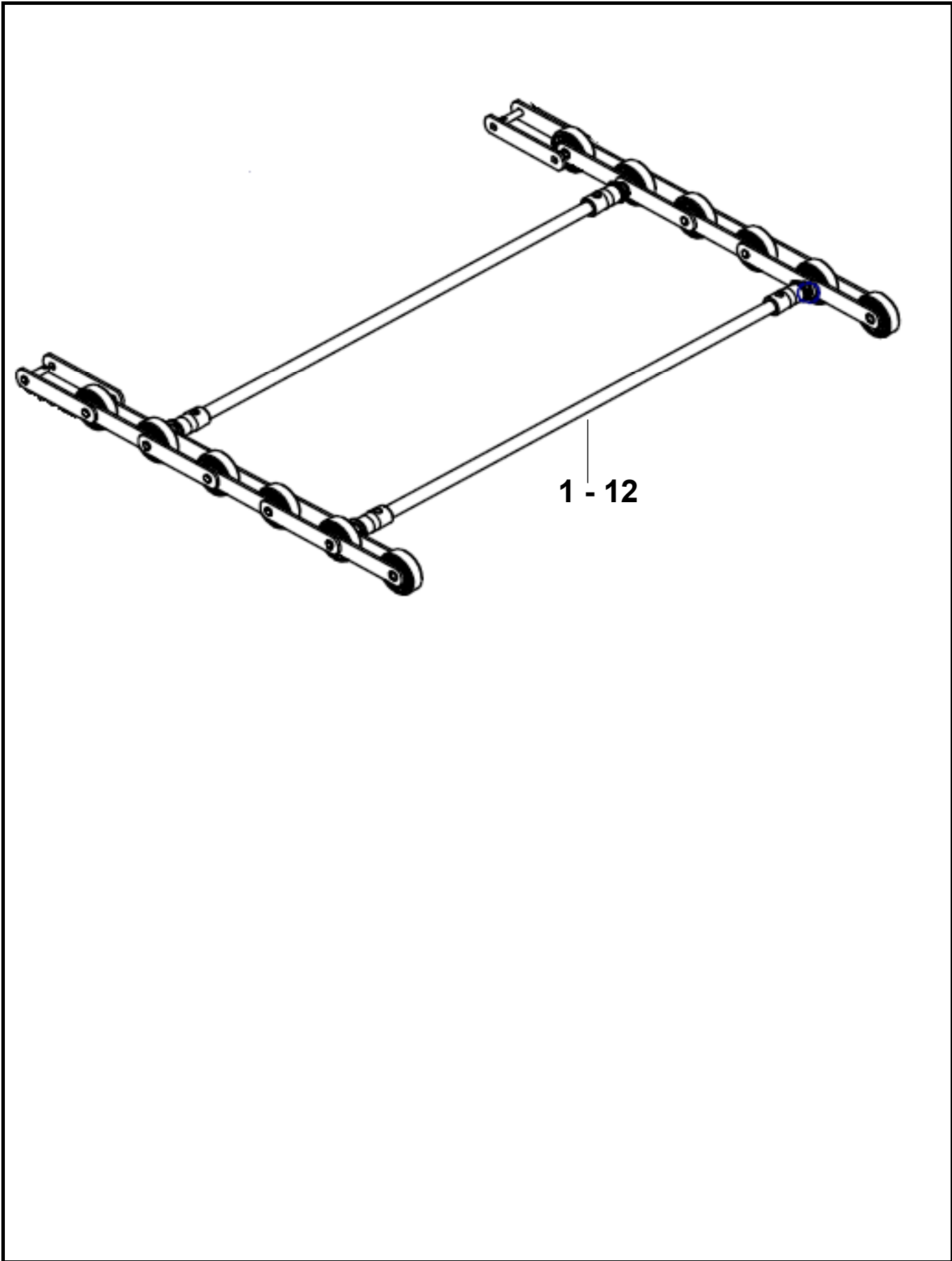
*54	G..26150E
54	G..26150AH
54	9703AA
54	9703DS



# OTIS

**ESCALATOR STEP CHAIN**  
**506 NCE, 506, -SL, SL/R**

**54-G..26150E**  
Nov. 2005 Page : 2/7















# ESCALATOR STEP CHAIN

## 506 NCE, 506, -SL, SL/R

# 54-G..26150E

Nov. 2005

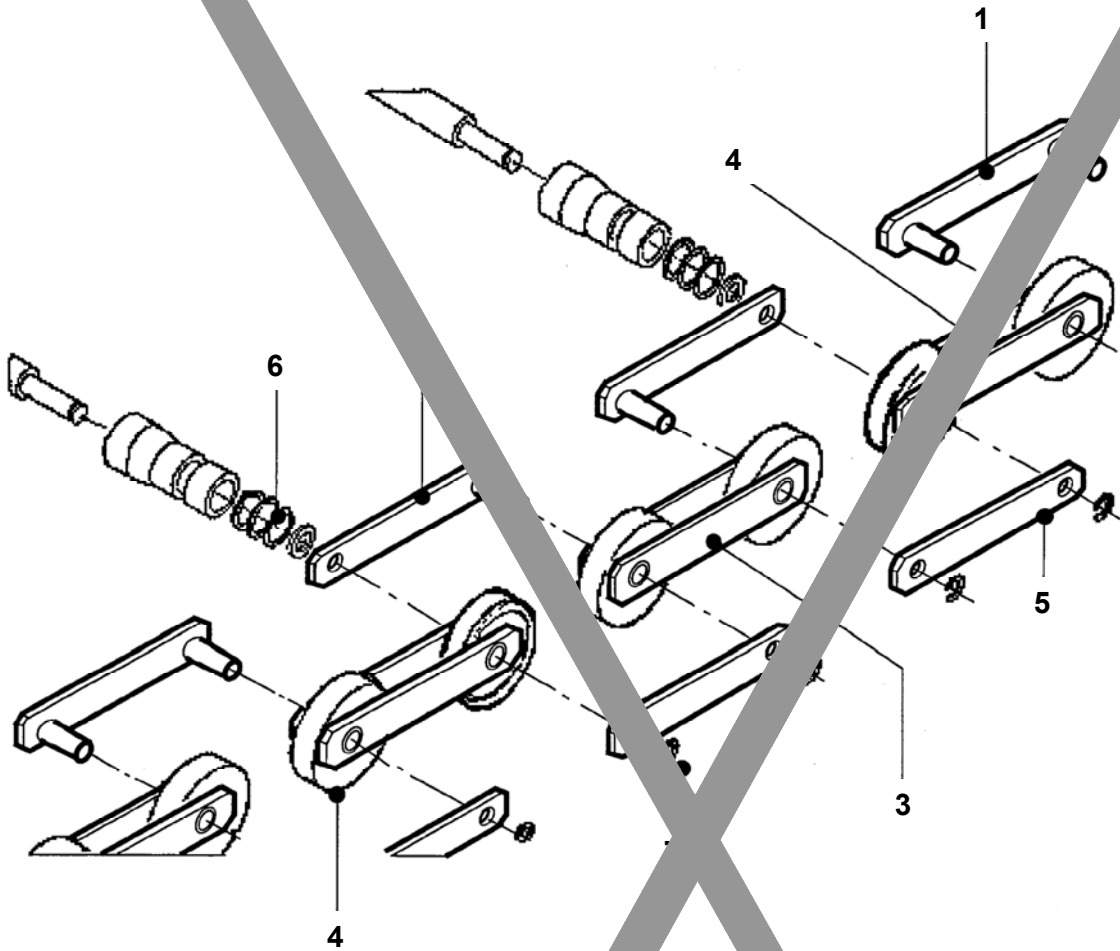
Page : 3/7

9703AA/9703DS GAA/GAB26150E GBA26150AH			
REF. NO.	PART or ML	DESCRIPTION	
1	GAA26150E1 GAB26150E1 GBA26150AH1 	2-FOLD UNIT COMPL.	INDOOR 600
2	GAA26150E2 GAB26150E2 GBA26150AH2 	2-FOLD UNIT COMPL.	INDOOR 800
3	GAA26150E3 GAB26150E3 GBA26150AH3 	2-FOLD UNIT COMPL.	INDOOR 1000
4	GAA26150E4 GAB26150E4 GBA26150AH10 	2-FOLD UNIT COMPL.	OUTDOOR 600
5	GAA26150E5 GAB26150E5 GBA26150AH11 	2-FOLD UNIT COMPL.	OUTDOOR 800
6	GAA26150E6 GAB26150E6 GBA26150AH12 	2-FOLD UNIT COMPL.	OUTDOOR 1000
7	GAA26150E7 GAB26150E7 GBA26150AH4 	10-FOLD UNIT COMPL.	INDOOR 600
8	GAA26150E8 GAB26150E8 GBA26150AH5 	10-FOLD UNIT COMPL.	INDOOR 800
9	GAA26150E9 GAB26150E9 GBA26150AH6 	10-FOLD UNIT COMPL.	INDOOR 1000
10	GAA26150E10 GAB26150E10 GBA26150AH13 	10-FOLD UNIT COMPL.	OUTDOOR 600
11	GAA26150E11 GAB26150E11 GBA26150AH14 	10-FOLD UNIT COMPL.	OUTDOOR 800
12	GAA26150E12 GAB26150E12 GBA26150AH15 	10-FOLD UNIT COMPL.	OUTDOOR 1000

**ESCALATOR STEP CHAIN  
506 NCE, 506, -SL, SL/R**

**54-G..26150E**  
Nov. 2005 Page : 4/7

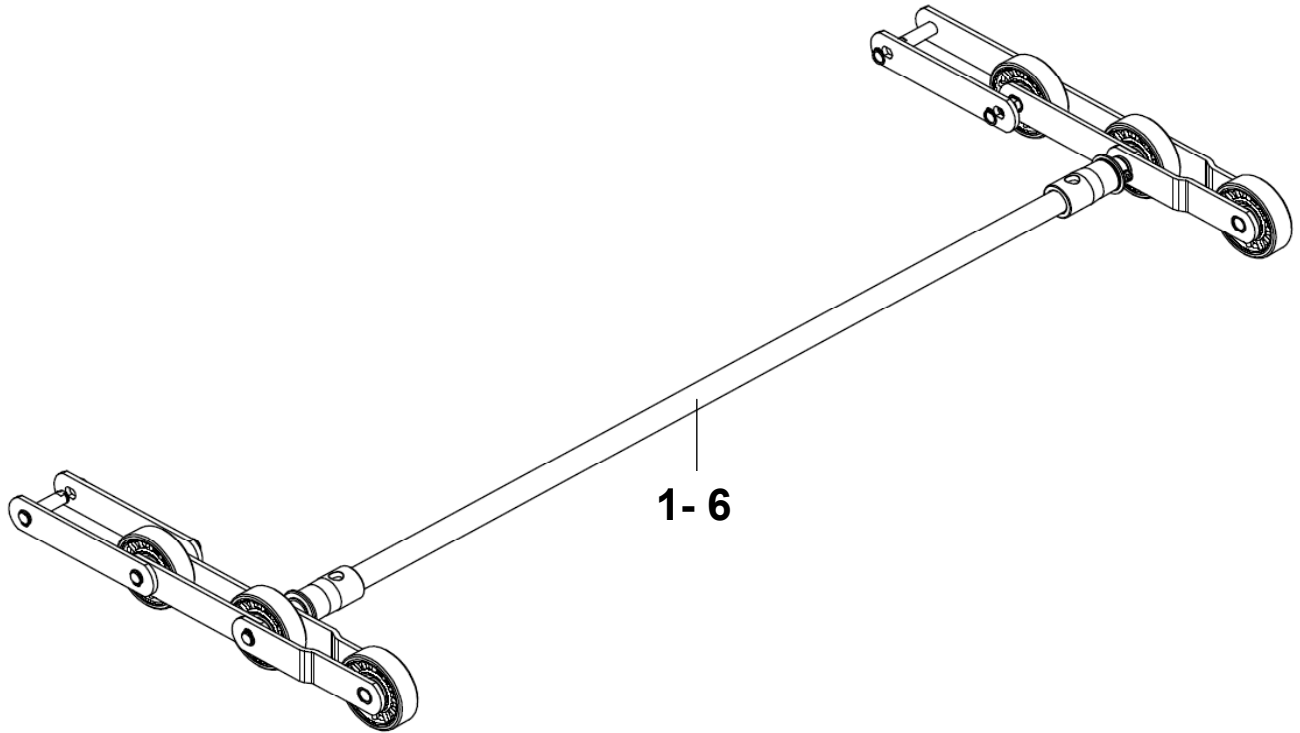
 Pages 2 & 5



9703AA/9703DS GAA/GAB26150E		
REF. NO.	PART or ML	DESCRIPTION
1	GAA26150E22 GAB26150E22	OUTER LINK WITH PINS & RETAINING RINGS
2	GAA26150E21 GAB26150E21	OUTER LINK WITH PIN & RETAINING RING
3	GAA26150E19 GAB26150E19	INNER LINK
4	GAA26150E20 GAB26150E19	INNER LINK
5	GO430AR4	OUTER LINK
6	GAA255MG1	SHIM
7	-	RETAINING RING DIN6799-10 (25445)

**ESCALATOR STEP CHAIN  
506 NCE, 506, -SL, SL/R**

**54-G..26150E**  
Nov. 2005 Page : 5/7



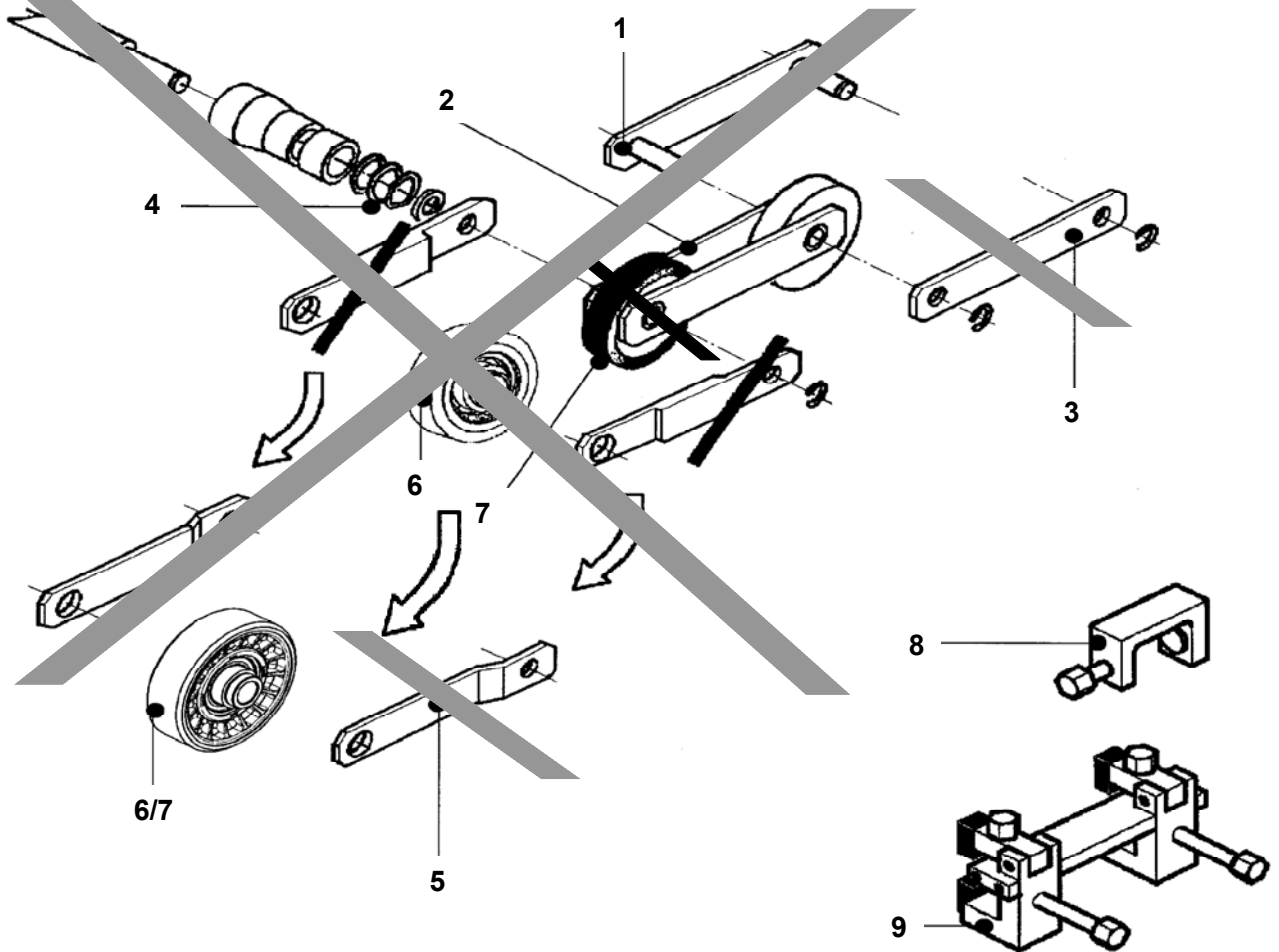
9703AA/9703DS GAA/GAB26150E GBA26150AH			
REF. NO.	PART or ML	DESCRIPTION	
1	GAA26150E13 GAB26150E13 GBA26150AH7	↵↵↵	OFFSET LINK      INDOR 600
2	GAA26150E14 GAB26150E14 GBA26150AH8	↵↵↵	OFFSET LINK      INDOR 800
3	GAA26150E15 GAB26150E15 GBA26150AH9	↵↵↵	OFFSET LINK      INDOR 1000
4	GAA26150E16 GAB26150E16 GBA26150AH16	↵↵↵	OFFSET LINK      OUTDDOR 600
5	GAA26150E17 GAB26150E17 GBA26150AH17	↵↵↵	OFFSET LINK      OUTDDOR 800
6	GAA26150E18 GAB26150E18 GBA26150AH18	↵↵↵	OFFSET LINK      OUTDDOR 1000

# ESCALATOR STEP CHAIN 506 NCE, 506, -SL, SL/R

**54-G..26150E**

Nov. 2005

Page : 6/7



**9703AA/9703DS  
GAA/GAB26150E**

REF. NO.	PART or ML	DESCRIPTION
1	<del>GAA26150E22</del> <del>GAB26150E22</del>	<del>OUTER LINK WITH PINS &amp; RETAINING RINGS</del> Pages 2 & 5
2	<del>GAA26150E20</del> <del>GAB26150E19</del>	<del>INNER LINK</del> Pages 2 & 5
3	GO430AR4	OUTER LINK  Pages 2 & 5
4	<del>GAA255MG1</del>	<del>SHIM</del> Pages 2 & 5
5	GO430AS2 GO430AS3	CONNECTING LINK  Pages 2 & 5
6	GO290AJ1 GAA290CF1	ROLLER  G..26150E
7	GAA290CA2 GAA290CF1	
8	9704CB1	STEP CHAIN MOUTING DEVICE
9	9704CC1	STEP CHAIN DISMANTLING DEVICE

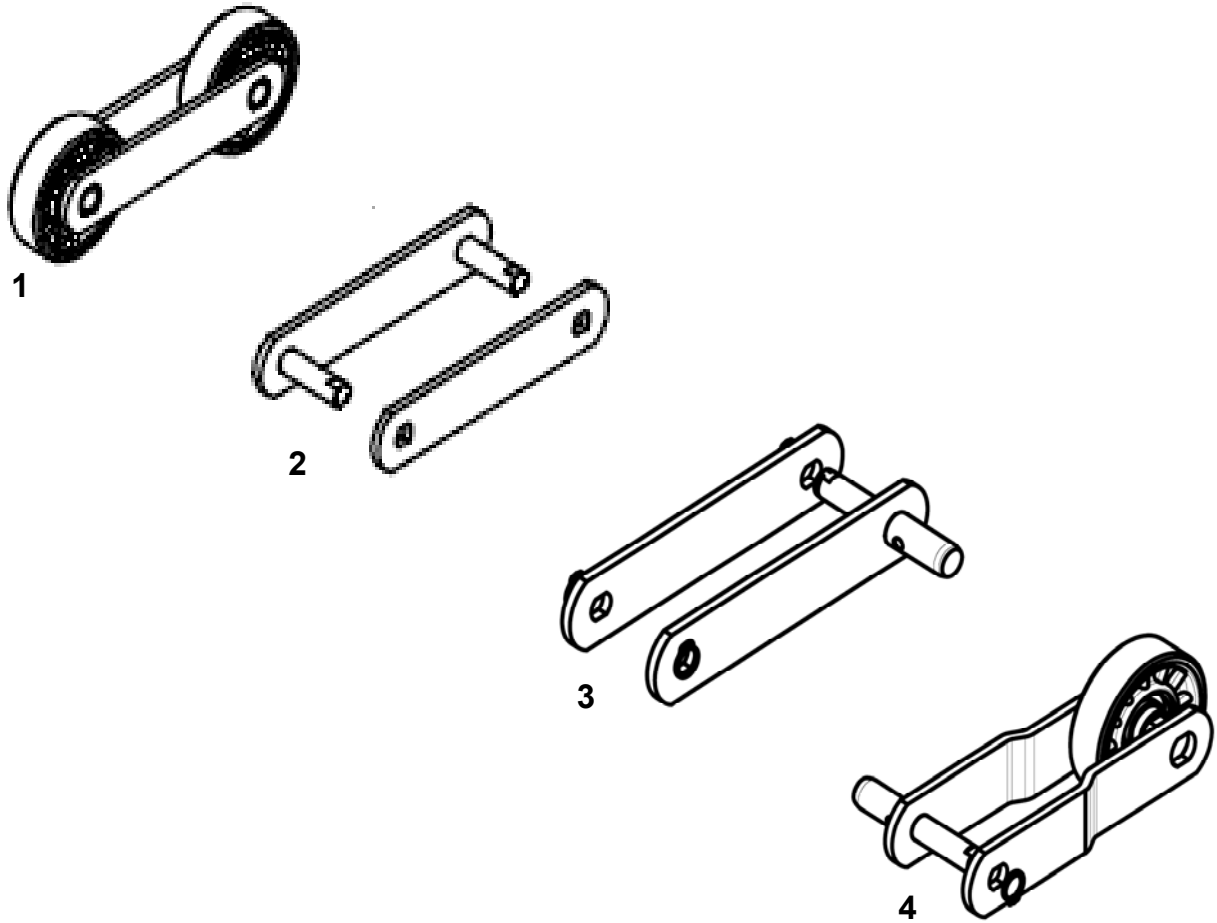
# ESCALATOR STEP CHAIN

## 506 NCE, 506, -SL, SL/R

# 54-G..26150E

Nov. 2005

Page : 7/7



**W** → **G..26150AH**

GBA26150AH		
REF. NO.	PART or ML	DESCRIPTION
1	GBA26150AH19	INNER LINK
2	GBA26150AH20	OUTER LINK WITH PINS & RETAINING RINGS
3	GBA26150AH21	OUTER LINK WITH PIN & RETAINING RING
4	GBA26150AH23	OFF SET LINK