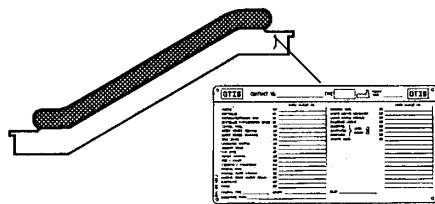


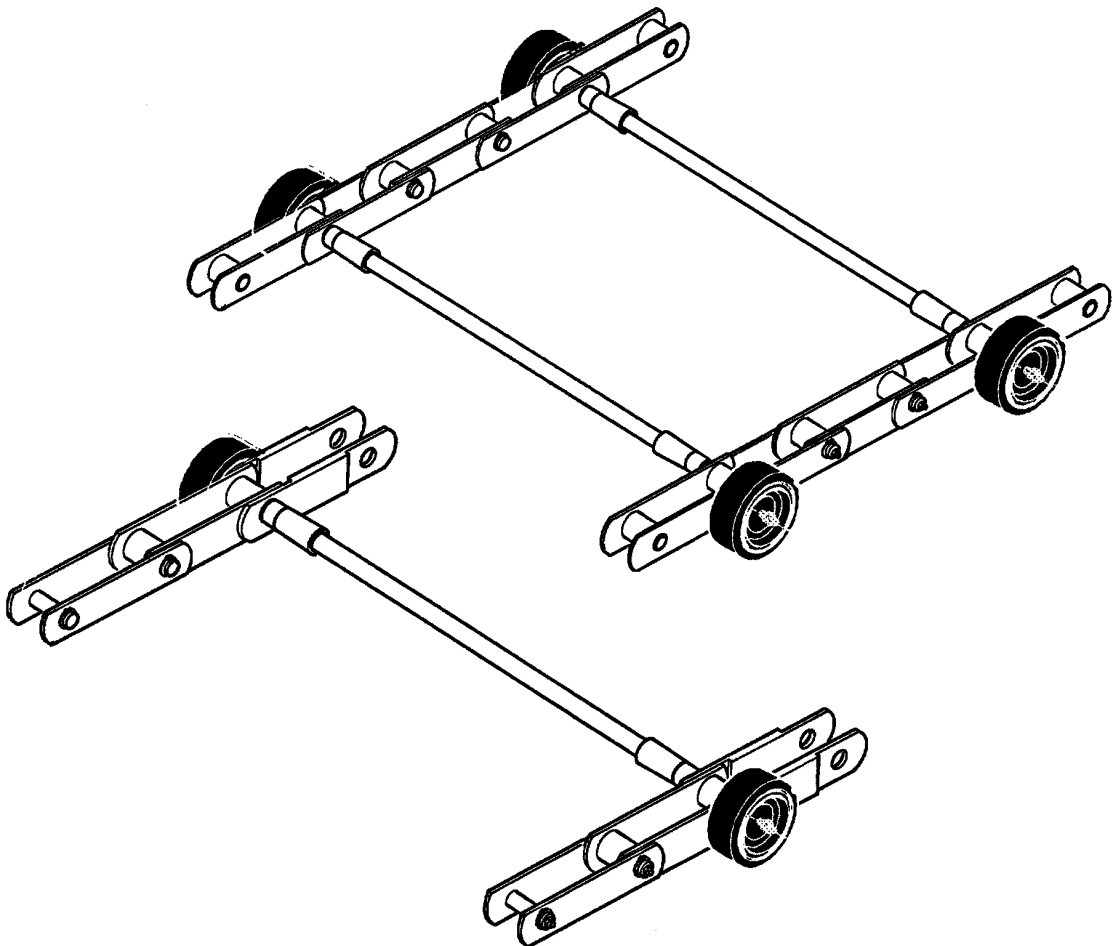
## ESCALATOR HD-A,520NPE STEP CHAIN (PIN-Ø 20mm) OIL-LUBRICATED

★ 54-G.. 26150 G

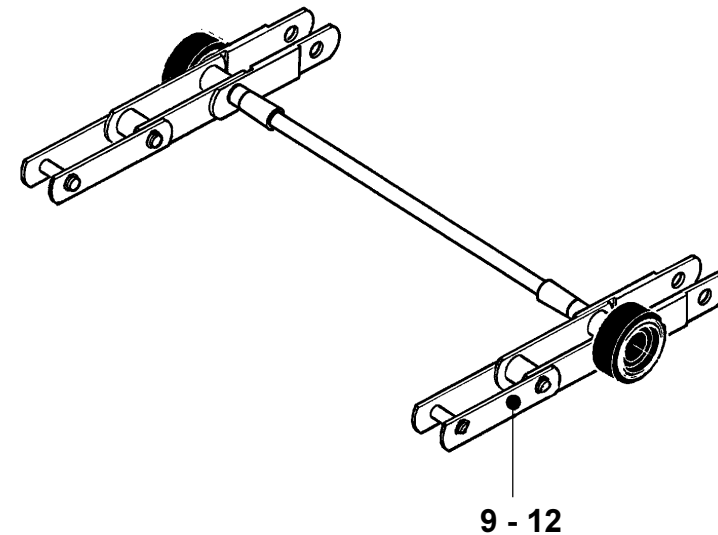
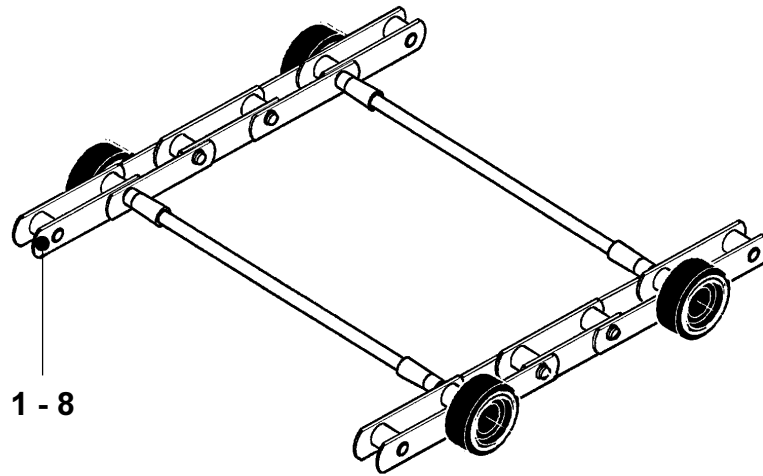


! GREASE - LUBRICATED FOR HD-A

👁 54 - 9702 AK

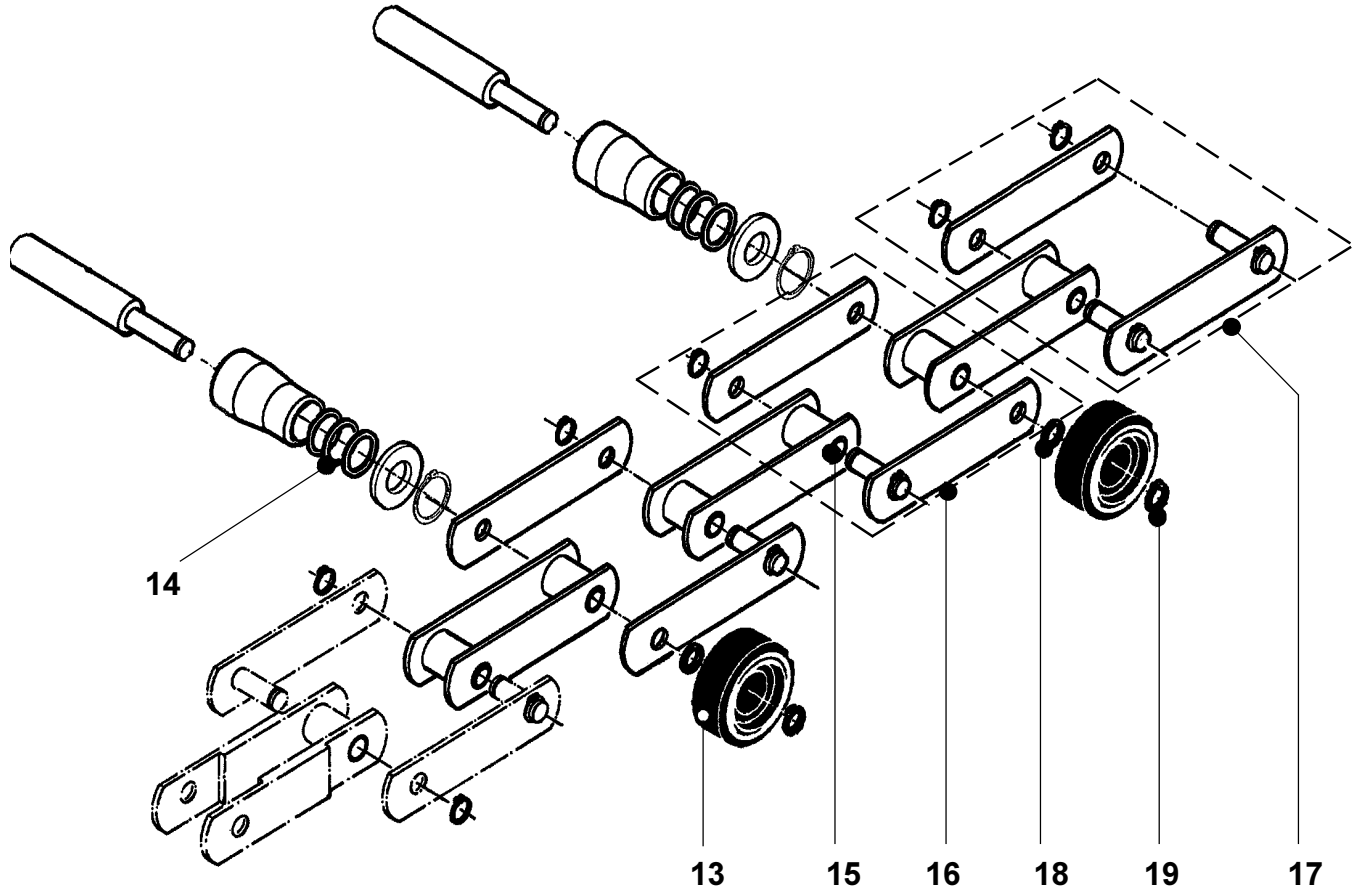


# OTIS



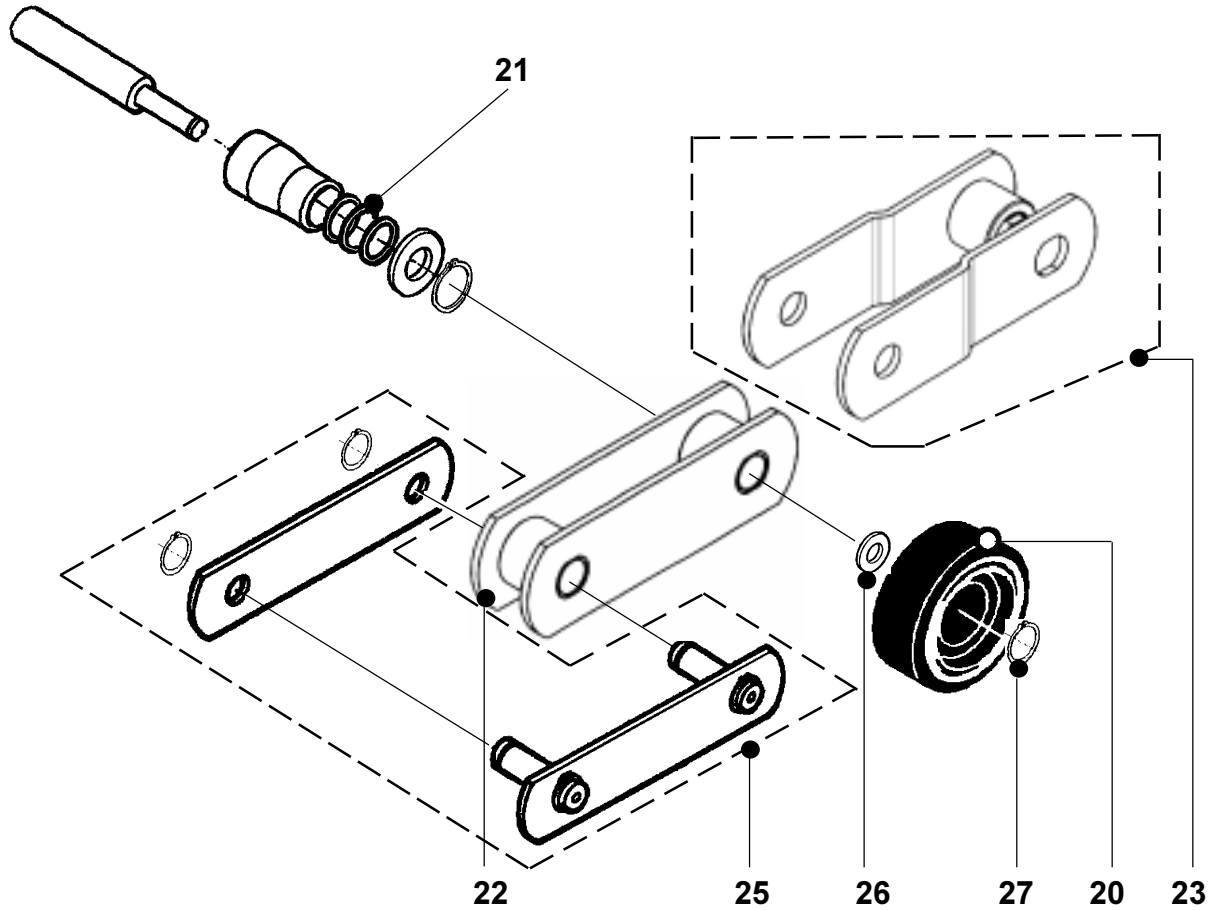
**GAA 26150 G**

REF.NO.	PART OR M.L.	DESCRIPTION
1	---- GAA 26150 G 8 ★	2-fold unit compl. 40" / 800 indoor
2	---- GAA 26150 G 2	10-fold unit compl. 40" / 800 indoor
3	9702 AK 35 ⇨ GAA 26150 G 11 ★	2-fold unit compl. 40" / 800 outdoor
4	9702 AK 37 ⇨ GAA 26150 G 5	10-fold unit compl. 40" / 800 outdoor
5	---- GAA 26150 G 9 ★	2-fold unit compl. 48" / 1000 indoor
6	---- GAA 26150 G 3	10-fold unit compl. 48" / 1000 indoor
7	9702 AK 36 ⇨ GAA 26150 G 12 ★	2-fold unit compl. 48" / 1000 outdoor
8	9702 AK 38 ⇨ GAA 26150 G 6	10-fold unit compl. 48" / 1000 outdoor
9	---- GAA 26150 G 14 ★	Offset link compl. 40" / 800 indoor
10	9702 AK 53 ⇨ GAA 26150 G 17 ★	Offset link compl. 40" / 800 outdoor
11	---- GAA 26150 G 15 ★	Offset link compl. 48" / 1000 indoor
12	9702 AK 54 ⇨ GAA 26150 G 18 ★	Offset link compl. 48" / 1000 outdoor



**GAA 26150 G**

REF.NO.	PART OR M.L.	DESCRIPTION
13	GXFO 290 AR 502	Roller
14	GAA 255 MG 1	Shim
15	GO 430 AL 8 → GAA 26150 G 19	Inner link
16	GO 430 AK 16 → GAA 26150 G 20	Outer link
17	GO 430 AK 19 → GAA 26150 G 21	Outer link
	GO 430 Y 1 →	
18	GAA 462 ED 1	Spacer
19	—	Retaining ring DIN 471 20x1,2 (147652)



**GAA 26150 G**

REF.NO.	PART OR M.L.	DESCRIPTION
20	GXFO 290 AR 502	Roller
21	GAA 255 MG 1	Shim
22	GO 430 AL 8 ⇨ GAA 26150 G 19	Inner link
23	GO 430 AA 1 ⇨ GAA 16150 G 22	Offset link
24	GO 430 Y 1 ⇨	Outer link
25	GO 430 AK 19 ⇨ GAA 26150 G 21	Outer link
26	GAA 462 ED 1	Spacer
27	—	Retaining ring DIN 471 20x1,2 (147652)