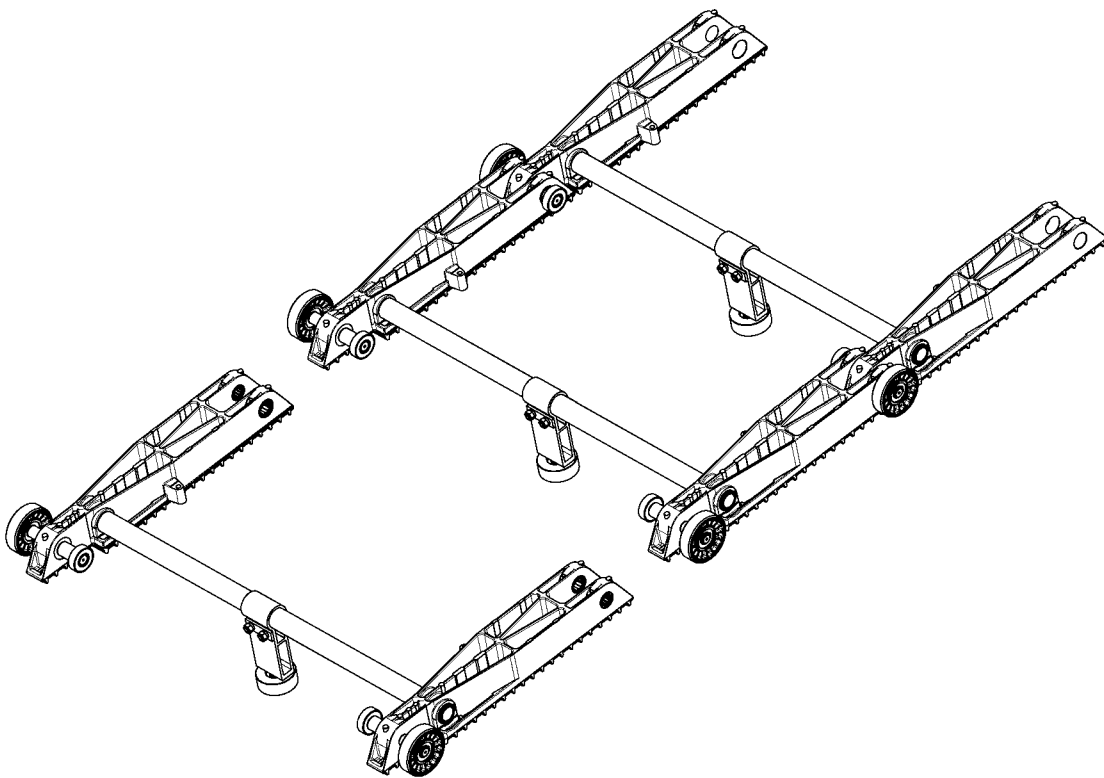


NEXTSTEP™
Step Chain

Spare Parts Leaflet

54-GAA26150X

01/31/2005 / Page 1 of 4



OTIS

Safety First!

ESCALATOR ENGINEERING
Otis Elevator Company
SIT GUANGZHOU

54-GAA26150X

History

Leaflet Description

NEXTSTEP™ Step Chain

Leaflet Revisions

Date Revised	Subject Matter Expert	Reason for Revision
April 07, 2004		Release
June 30, 2004		Revised
Jan. 31, 2005		Some LRUs on page 4 deleted
Nov. 23, 2007		Add link bearing

Related Drawings

Drawing No.	Title	Drawing No.	Title
GAA26150X	Step Chain		

Related Documents

Document ID	Title
BOM GAA26150X	Step Chain

Subject Matter Expert

Name	Department

About Spare Parts Leaflets...

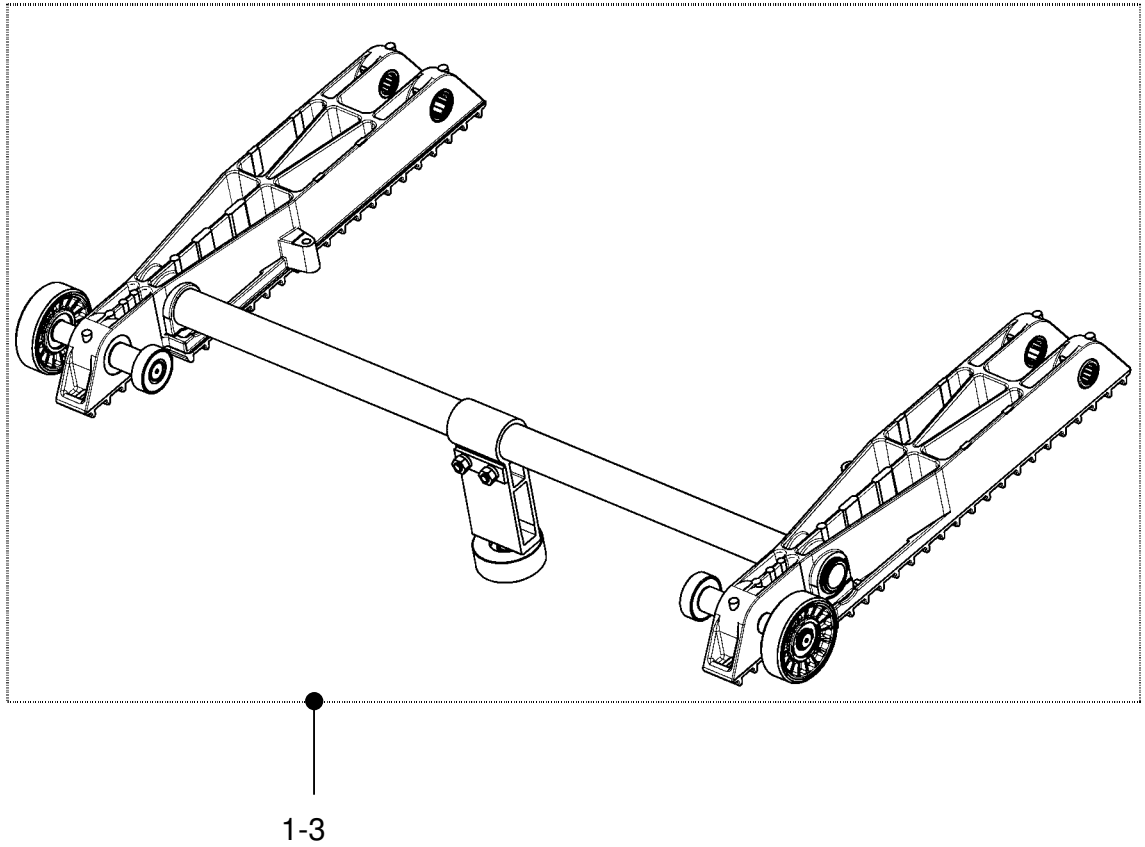
This document lists the lowest replaceable units (LRUs) for the standard version of the product. The LRUs are chosen by a team of Otis associates representing engineering and manufacturing.

While goal of this document is to make parts identification as easy as possible, the document cannot be all-inclusive. Elevator and escalator contracts classified as "special" or "custom" are not addressed here. For such contracts, please refer to specified information, the contract folder, TIPs, Field Education Articles, Construction Letters, etc. for further information.

If you have any suggestions about this document, please contact the subject matter expert listed on this page.

NEXTSTEP™ Step Chain

54-GAA26150X



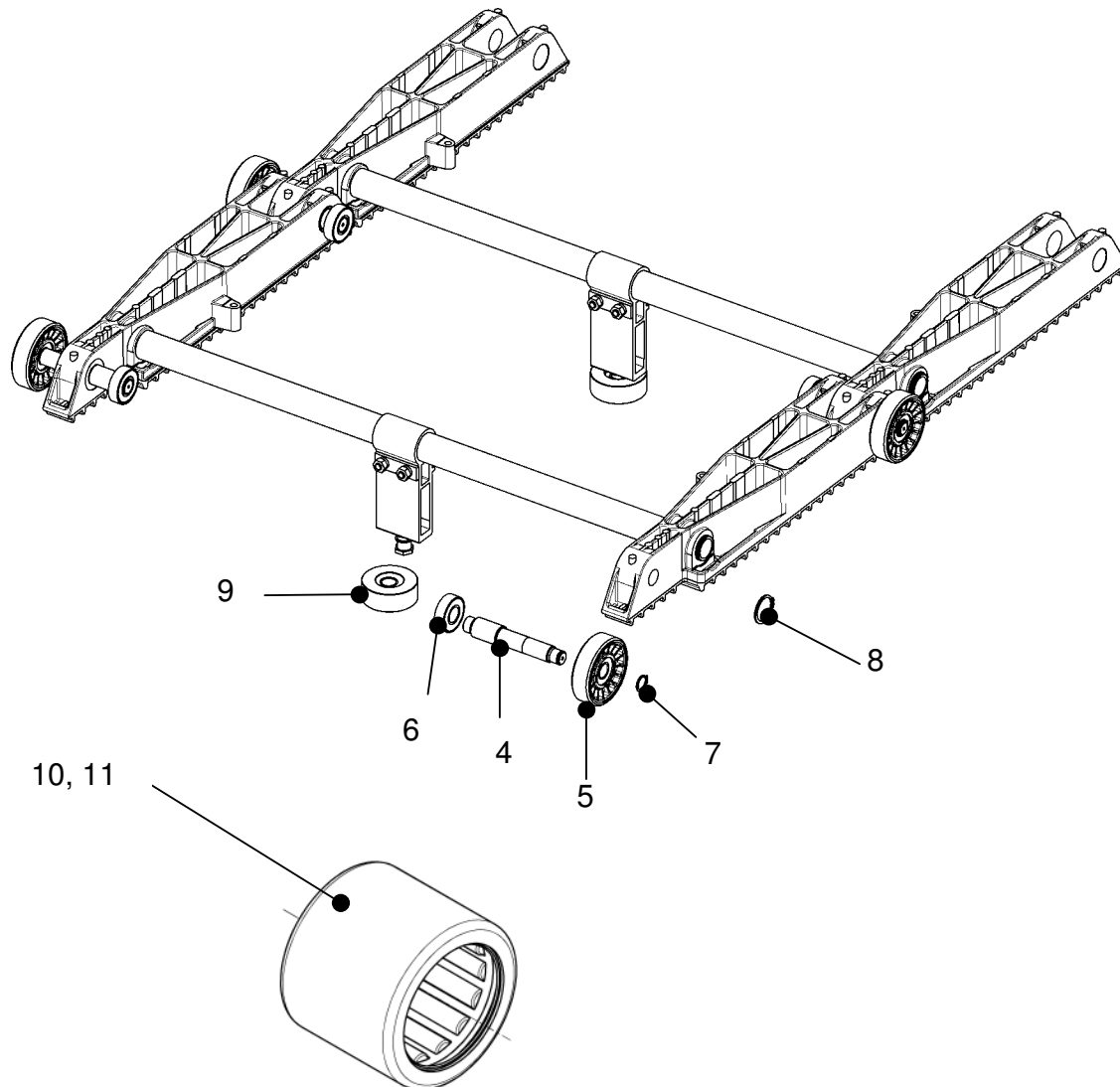
GAA26150X

Ref No.	Part No. OR M.L.	Description	Type
1	GAA26150X1	One fold unit	600
2	GAA26150X2	One fold unit	800
3	GAA26150X3	One fold unit	1000

NEXTSTEP™ Step Chain

54-GAA26150X

Step Chain



GAA26150X		
REF. No.	PART No. OR M.L.	DESCRIPTION
4	GAA81GG1	Pin
5	GAA290DC1	Wheel (Chain Roller)
6	DIN625-6203-2RS	Bearing, ball
7	DIN471-15x1	Retaining ring for roller
8	DIN471-28x1.5	Retaining ring for axle
9	GAA290CX1	Lateral Guidance Roller, Light Blue
10	GAA209S1	Link bearing, Inner
11	GAA209T1	Link bearing, Outer