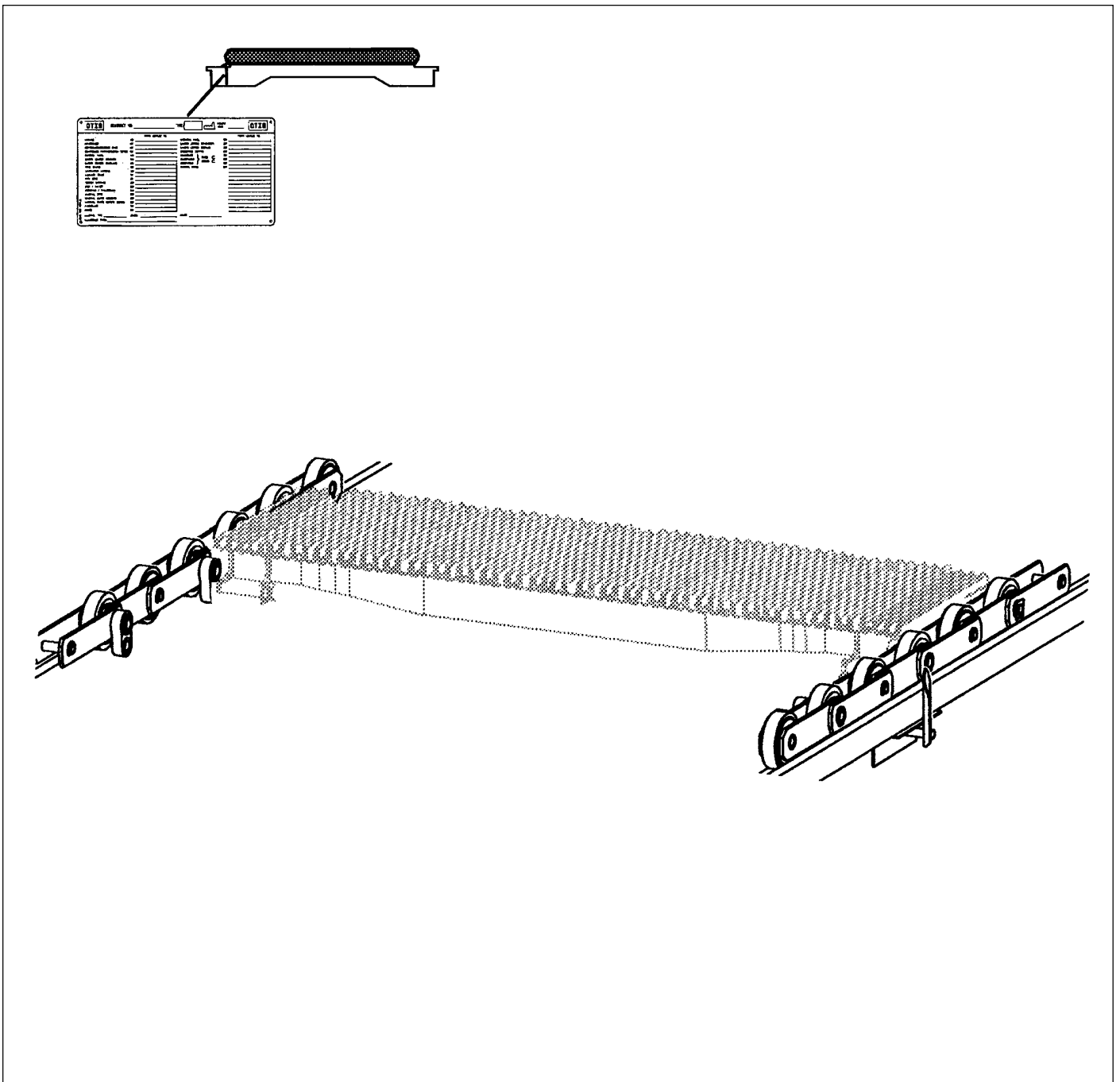


Trav-O-Lator® 606 NCT Pallet Chain

54-G..26350A

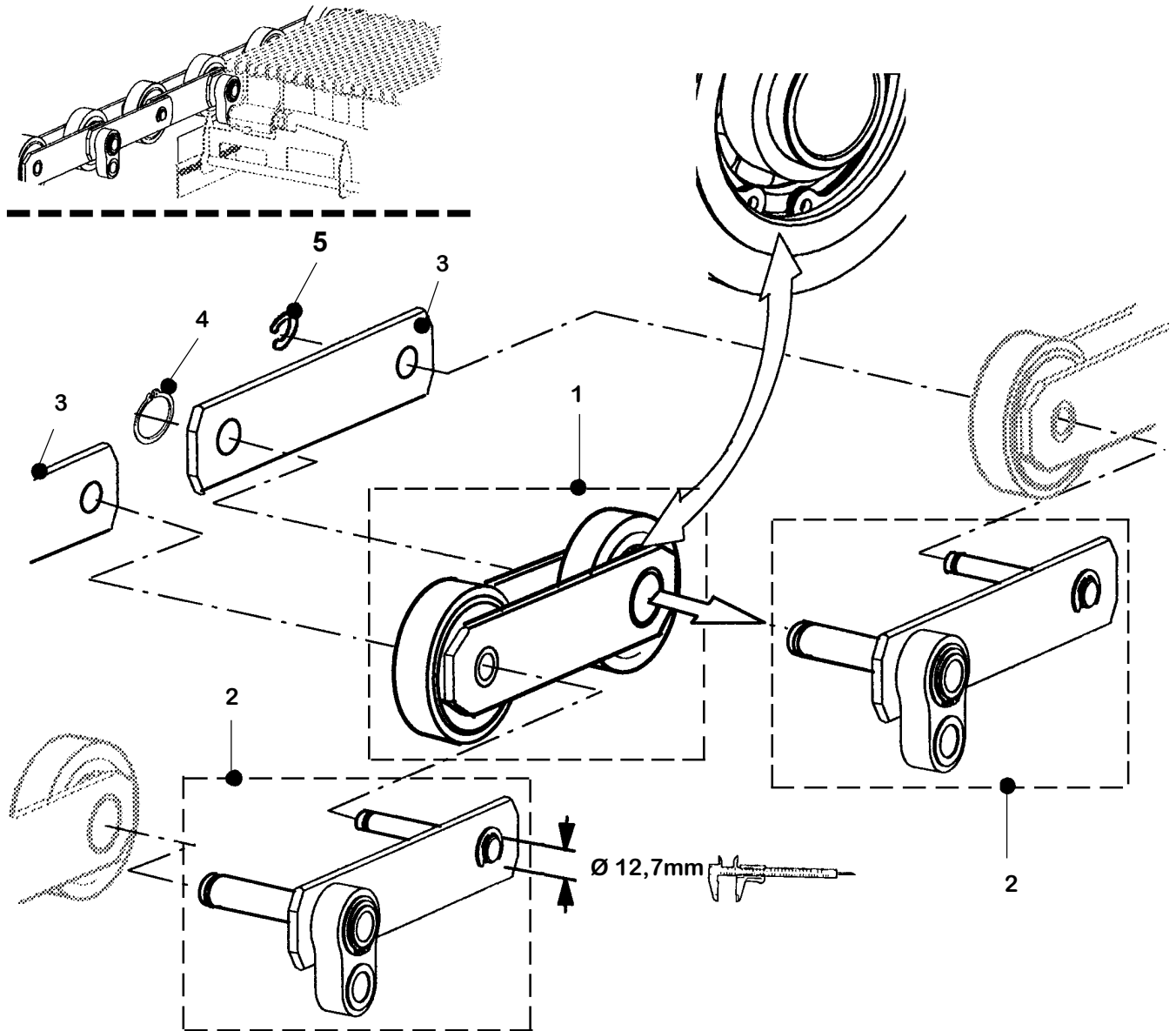


OTIS

Trav-O-Lator® 606 NCT Pallet Chain

54-G..26350A

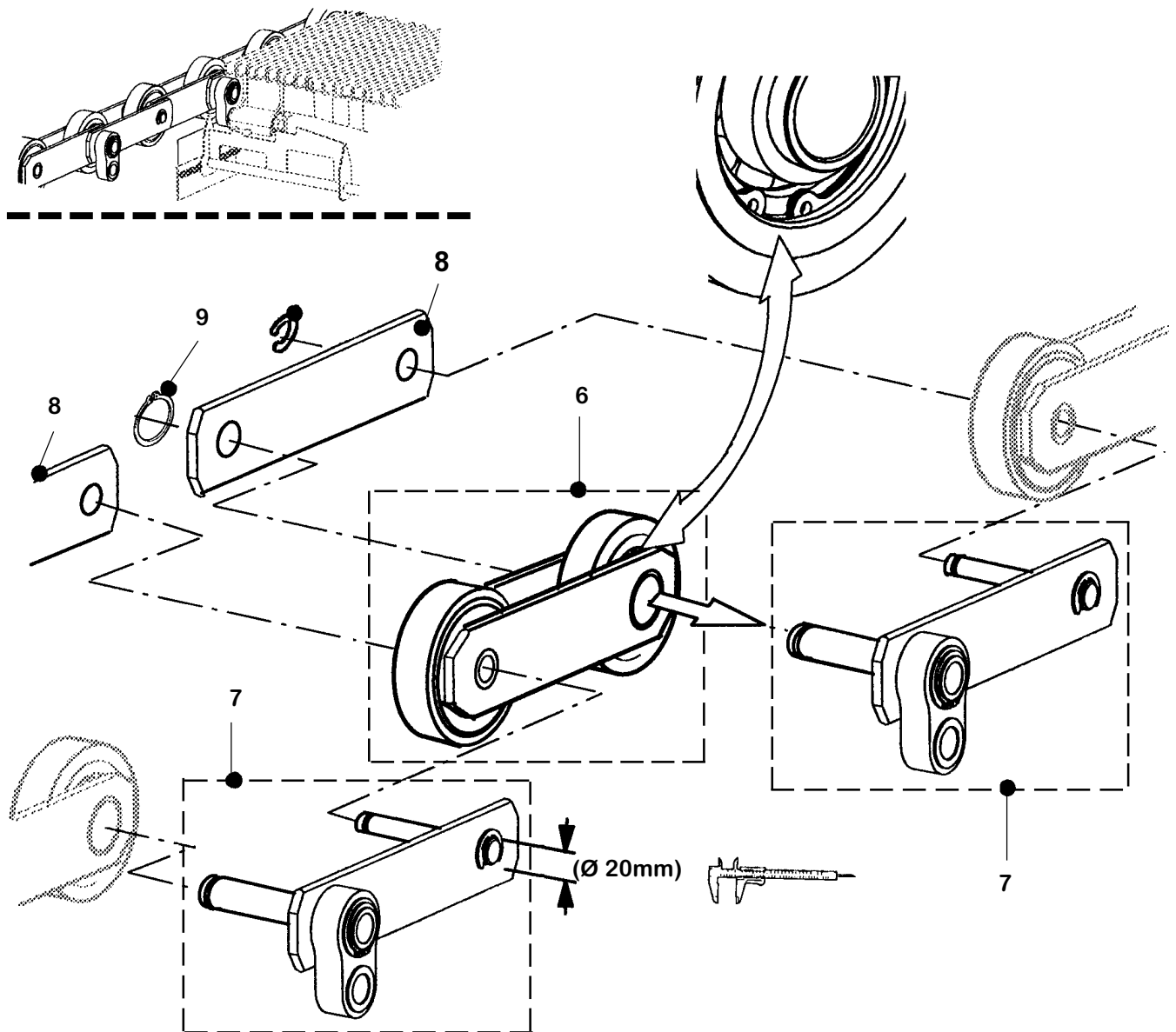
APRIL 1,2002 PAGE: 2



GAB26350A		
REF.NO.	PART OR M.L.	DESCRIPTION
1	GAA26350A11 GAB26350A11	Pallet chain , Inner link (1x)
2	GAA26350A12 GAB26350A12	Pallet chain , Outer link (2x)
3	GAA430DN1	Link (2x)
4	_____	Retaining ring 20 x 1,2 DIN 471 (147652) (2x)
5	_____	Retaining washer 10 DIN 6799 (25445) (2x)

ORDER		

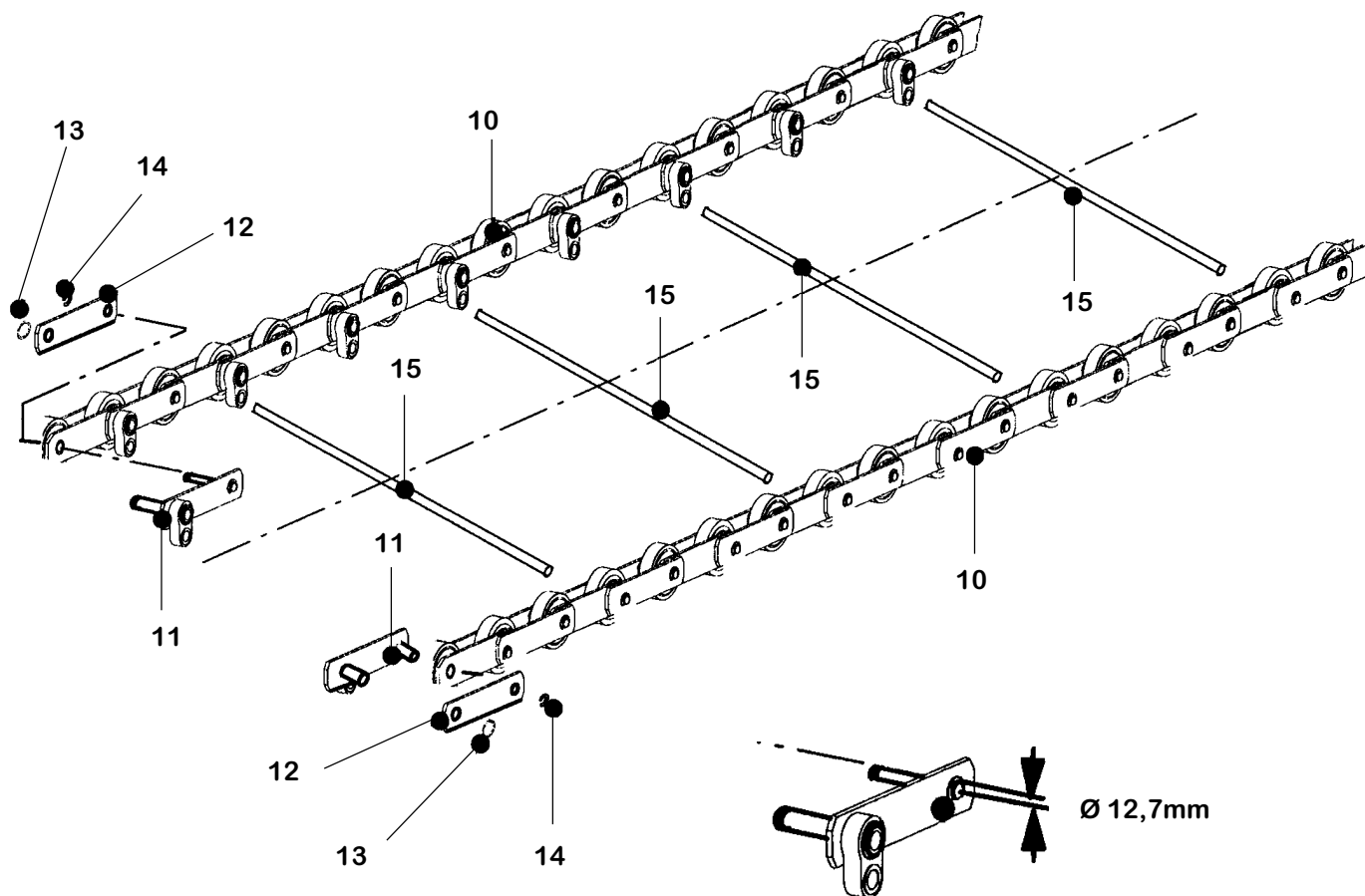
PIN Ø 12,7mm



GAB26350A		
REF.NO.	PART OR M.L.	DESCRIPTION
6	GAA26350A21 GAB26350A21	Pallet chain , Inner link (1x)
7	GAA26350A22 GAB26350A22	Pallet chain , Outer link (2x)
8	GO430DF3	Link (2x)
9	—	Retaining ring 20 x 1,2 DIN 471 (147652) (2x)

ORDER

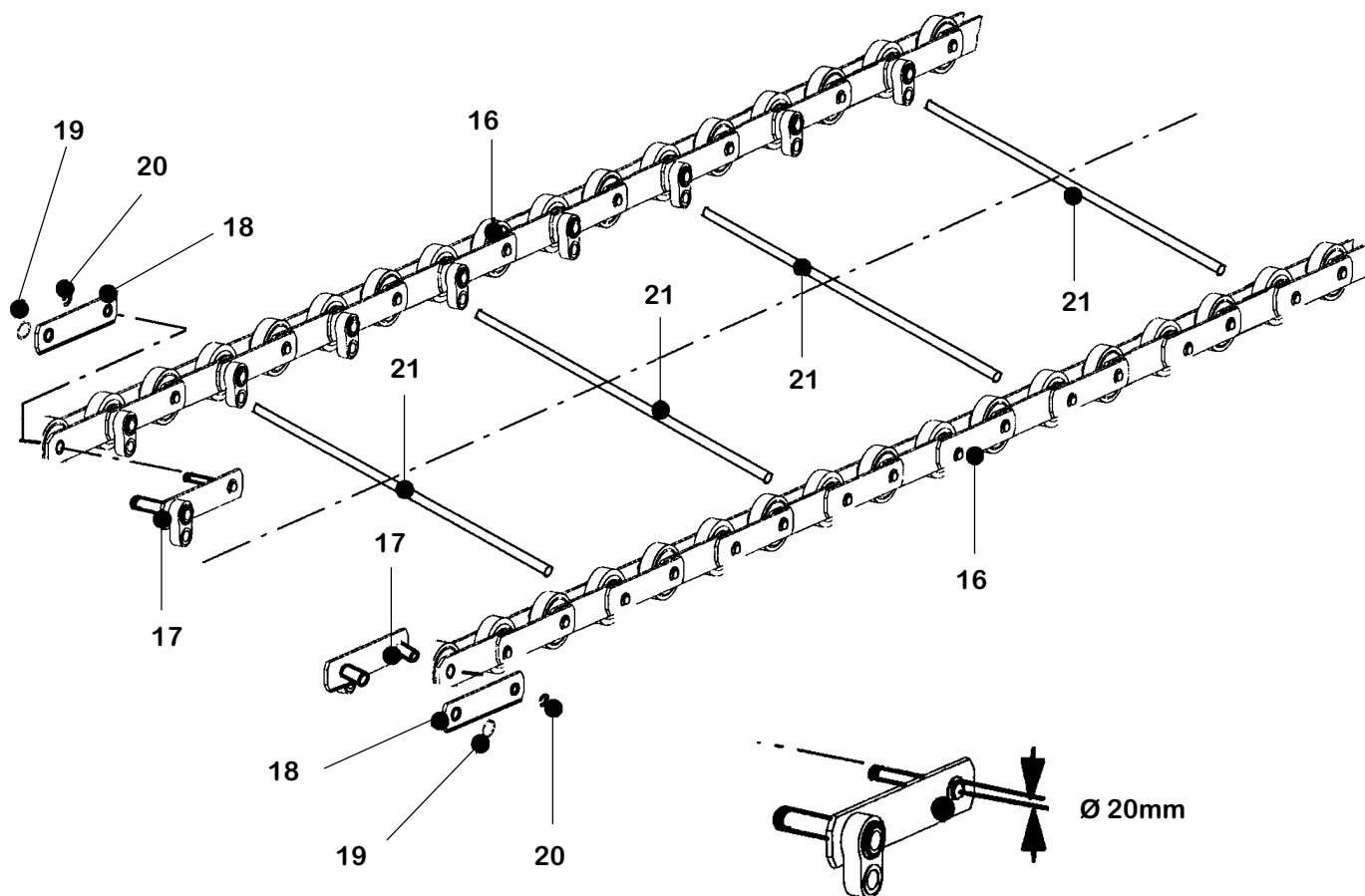
PIN Ø 20mm



GAB26350A		
REF.NO.	PART OR M.L.	DESCRIPTION
10	GAA26350A115 GAB26350A115 ★	Pallet chain , 15-fold unit
11	GAA26350A12 GAA26350A12	Pallet chain , Outer link
12	GAA430DN1	Link
13	—	Retaining ring 20 x 1,2 DIN 471 (147652)
14	—	Retaining washer 10 DIN 6799 (25445)
15	—	Axle , WZ -SW 644

ORDER	

} PIN Ø12,7mm



GAB26350A		
REF.NO.	PART OR M.L.	DESCRIPTION
16	GAA26350A215 GAB26350A215 ★	Pallet chain , 15-fold unit
17	GAA26350A22 GAB26350A22	Pallet chain , Outer link
18	GO430DF3	Link
19	—	Retaining ring 20 x 1,2 DIN 471 (147652)
20	—	Retaining washer 10 DIN 6799 (25445)
21	—	Axle , WZ -SW 644

ORDER	

} PIN Ø20mm