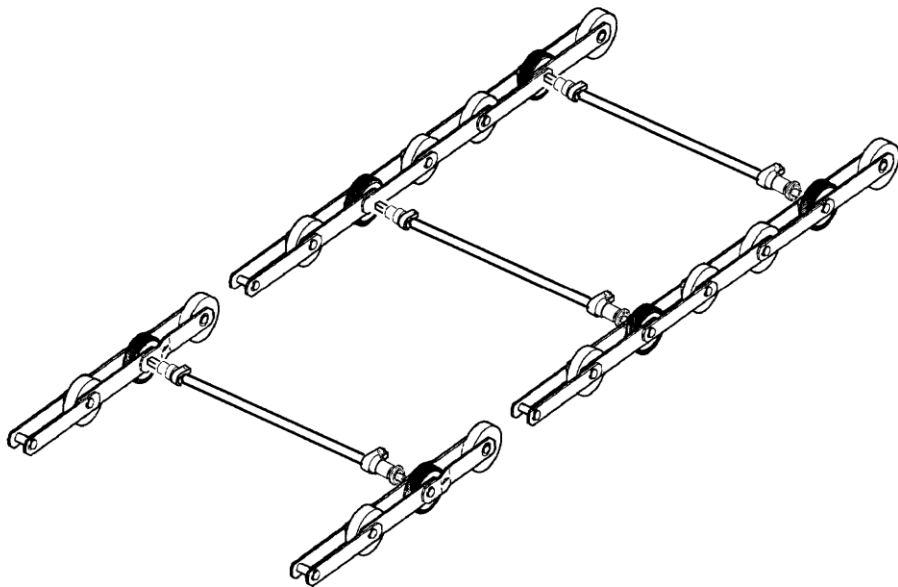
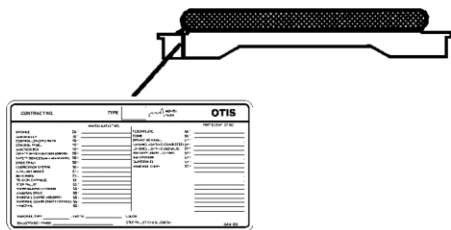


Trav-O-Lator® 610NPT Pallet Chain

Spare Parts Leaflet
54-GAA26350C

04/01/2003 / Page 1 of 25



OTIS

Safety First!

ENGINEERING
Otis Escalator Systems
Stadthagen Germany

Leaflet Description

Pallet chain arrangement for low maintenance; roller-076,2 mm; pin-020mm.

Leaflet Revisions

Date Revised	Subject Matter Expert	Reason for Revision
March 19, 2003	Wilfried Gohlke	Part Number added

Related Drawings

Drawing No.	Title	Drawing No.	Title
GAA26350C	Trav-O-Lator® Pallet Chain		

Related Documents

Document ID	Title
---	---

Subject Matter Expert

Name	Department
Markus Hame	Engineering Stadthagen, Germany

About Spare Parts Leaflets...

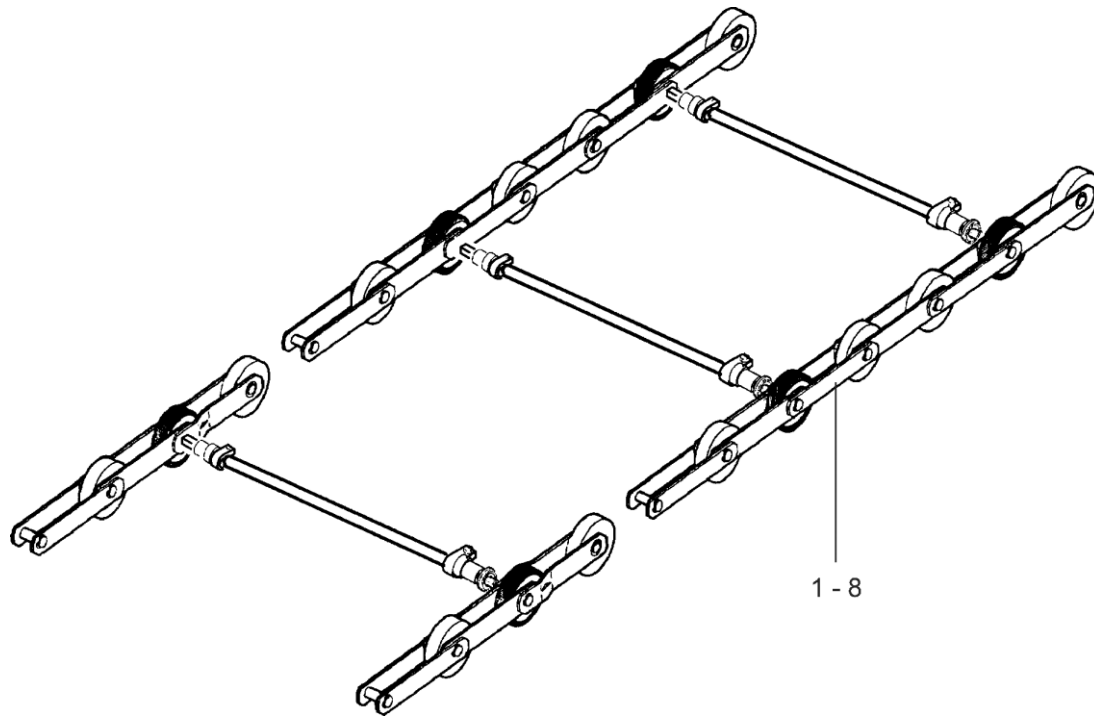
This document lists the lowest replaceable units (LRUs) for the standard version of the product. The LRUs are chosen by a team of Otis associates representing engineering and manufacturing.

While goal of this document is to make parts identification as easy as possible, the document cannot be all-inclusive. Elevator and escalator contracts classified as "special" or "custom" are not addressed here. For such contracts, please refer to specified information, the contract folder, TIPs, Field Education Articles, Construction Letters, etc. for further information.

If you have any suggestions about this document, please contact the subject matter expert listed on this page.

Trav-O-Lator 610NPT Pallet Chain, Bolt-015 mm

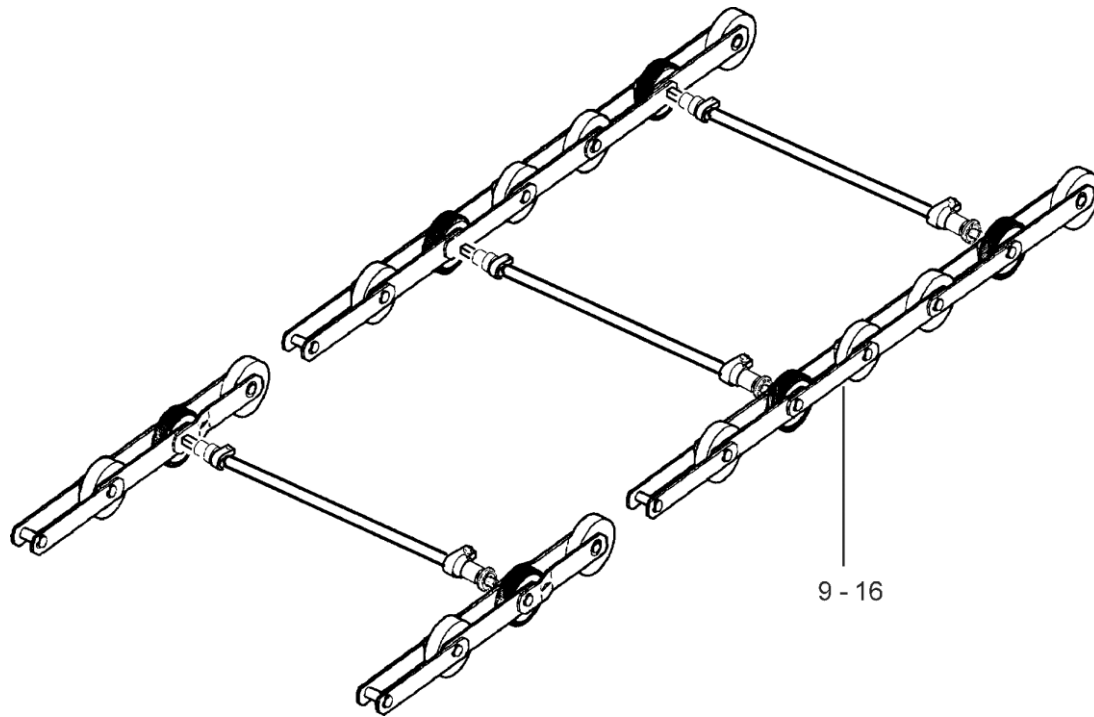
54-GAA26350C



GAA26350C			
REF No.	PART No.	DESCRIPTION	LOCATED
1	GAA26350C1	2-fold Unit 800	indoor
2	GAA26350C2	2-fold Unit 1000	
3	GAA26350C3	2-fold Unit 1200	
4	GAA26350C4	2-fold Unit 1400	
5	GAA26350C5	2-fold Unit 800	outdoor
6	GAA26350C6	2-fold Unit 1000	
7	GAA26350C7	2-fold Unit 1200	
8	GAA26350C8	2-fold Unit 1400	

54-GAA26350C

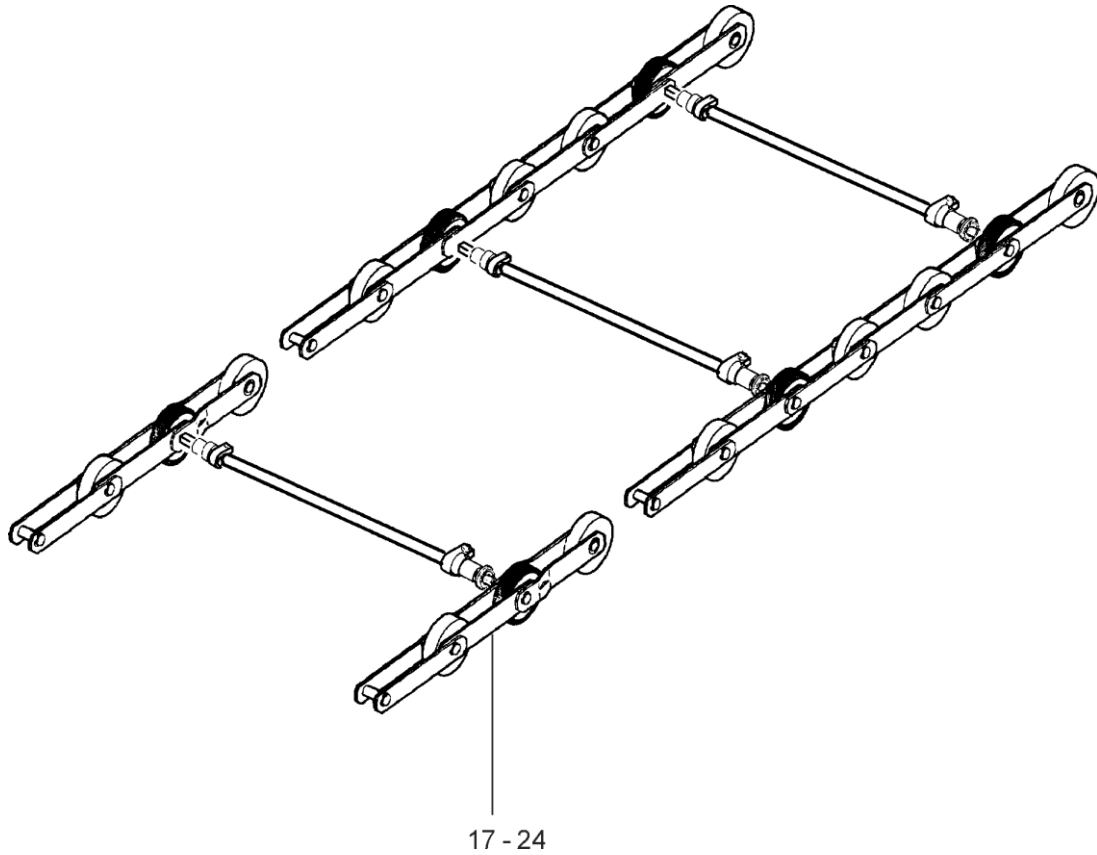
Trav-O-Lator 610NPT Pallet Chain, Bolt-015 mm



REF No.	GAA26350C PART No.	DESCRIPTION	LOCATED
9	GAA26350C9	10-fold Unit 800	indoor
10	GAA26350C10	10-fold Unit 1000	
11	GAA26350C11	10-fold Unit 1200	
12	GAA26350C12	10-fold Unit 1400	
13	GAA26350C13	10-fold Unit 800	outdoor
14	GAA26350C14	10-fold Unit 1000	
15	GAA26350C15	10-fold Unit 1200	
16	GAA26350C16	10-fold Unit 1400	

Trav-O-Lator 610NPT Pallet Chain, Bolt-015 mm

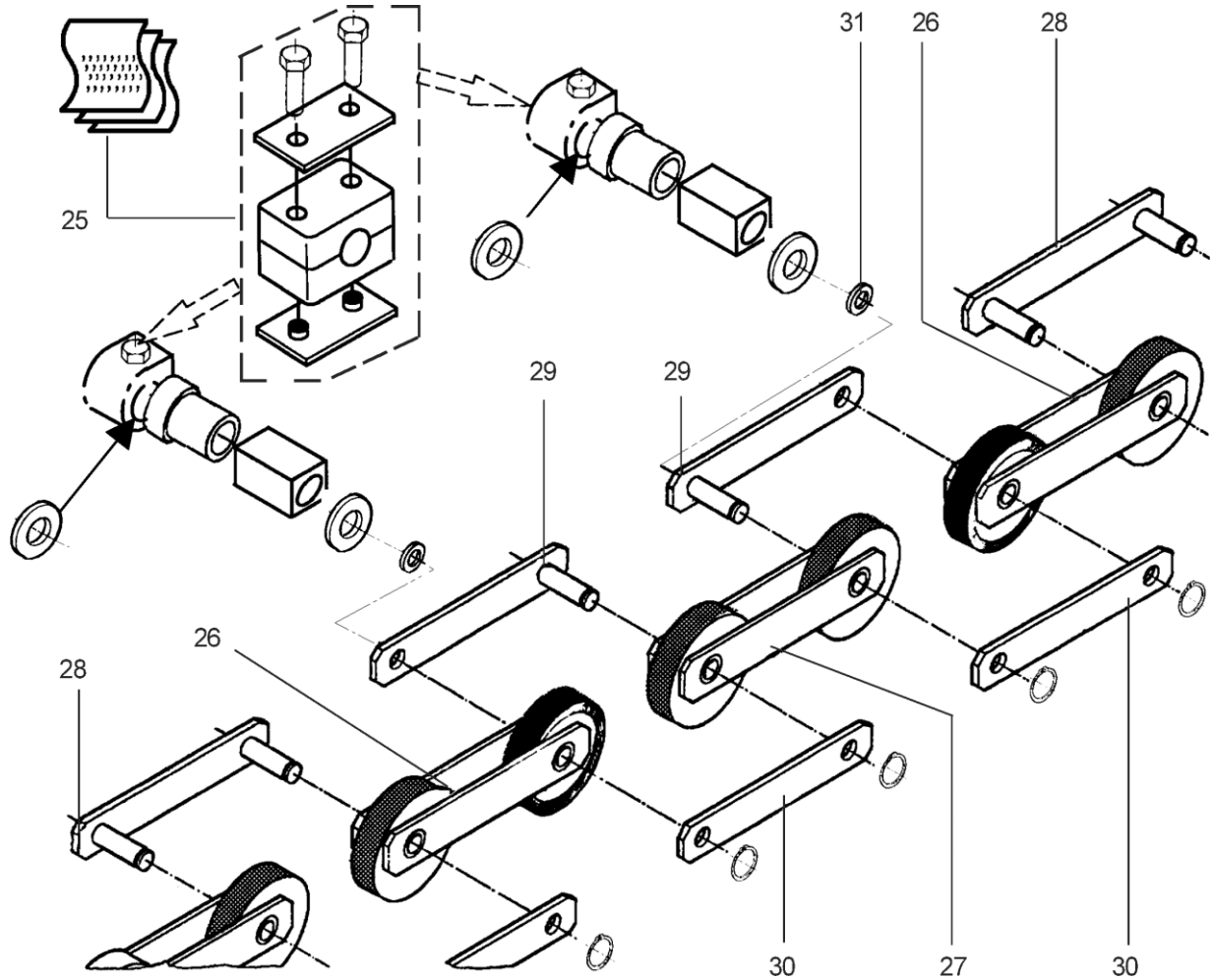
54-GAA26350C



GAA26350C			
REF No.	PART No.	DESCRIPTION	LOCATED
17	GAA26350C65	Offset link 800	indoor
18	GAA26350C66	Offset link 1000	
19	GAA26350C67	Offset link 1200	
20	GAA26350C68	Offset link 1400	
21	GAA26350C69	Offset link 800	outdoor
22	GAA26350C70	Offset link 1000	
23	GAA26350C71	Offset link 1200	
24	GAA26350C72	Offset link 1400	

54-GAA26350C

**Trav-O-Lator 610NPT
Pallet Chain, Bolt-015 mm**

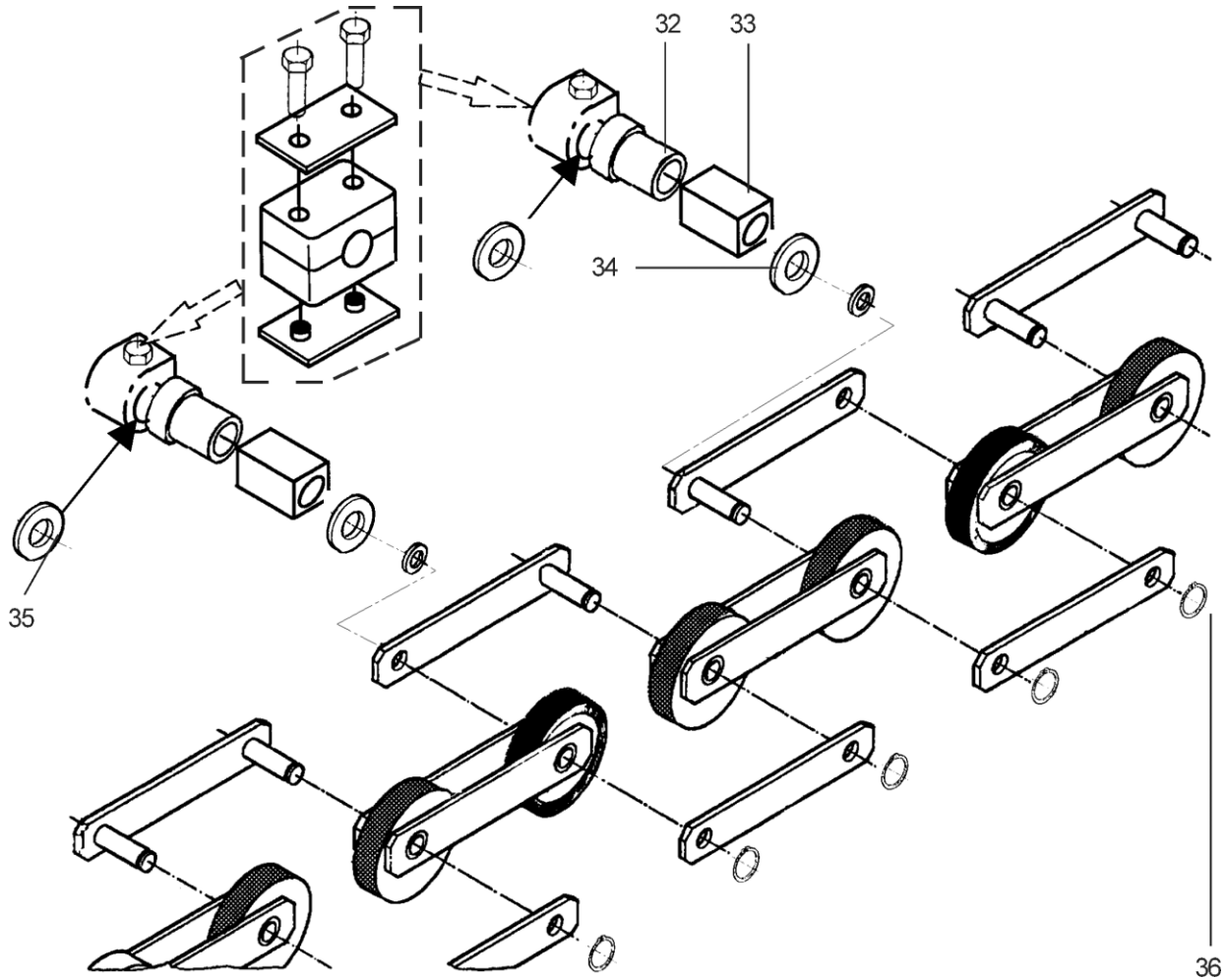


GAA26350C		
REF No.	PART No.	DESCRIPTION
25	GAA339GV1	Clamp
	GAA26CGH	Instruction
26	GO9704BG1	Inner link w/ rollers
27	GO9704BF1	Inner link w/ rollers
28	GO9704BH1	Outer link w/ 2 pins
29	GO9704BH2	Outer link w/ 1 pin
30	GO430DF1	Outer link
31	GO462CH1	Spacer

Trav-O-Lator 610NPT

Pallet Chain, Bolt-015 mm

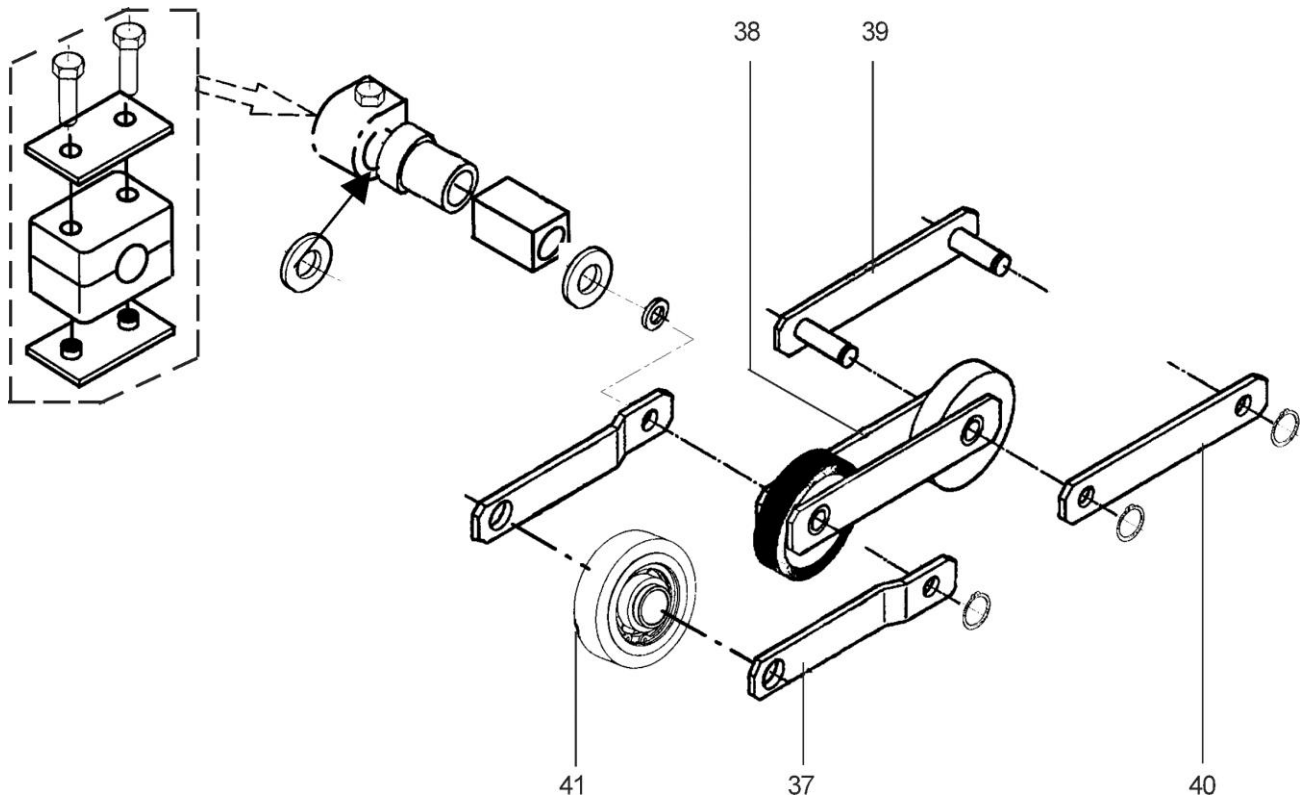
54-GAA26350C



GAA26350C		
REF No.	PART No.	DESCRIPTION
32	GAA21AL1 GO210AG1	Plain bearing bush
33	GO210R1 GO210AH1	Sliding block
34	GAA127GR1	Washer
35	---	Washer, ISO7089 (DIN125)A23 (118158)
36	---	Retaining ring, DIN471 15x1 (17228)

54-GAA26350C

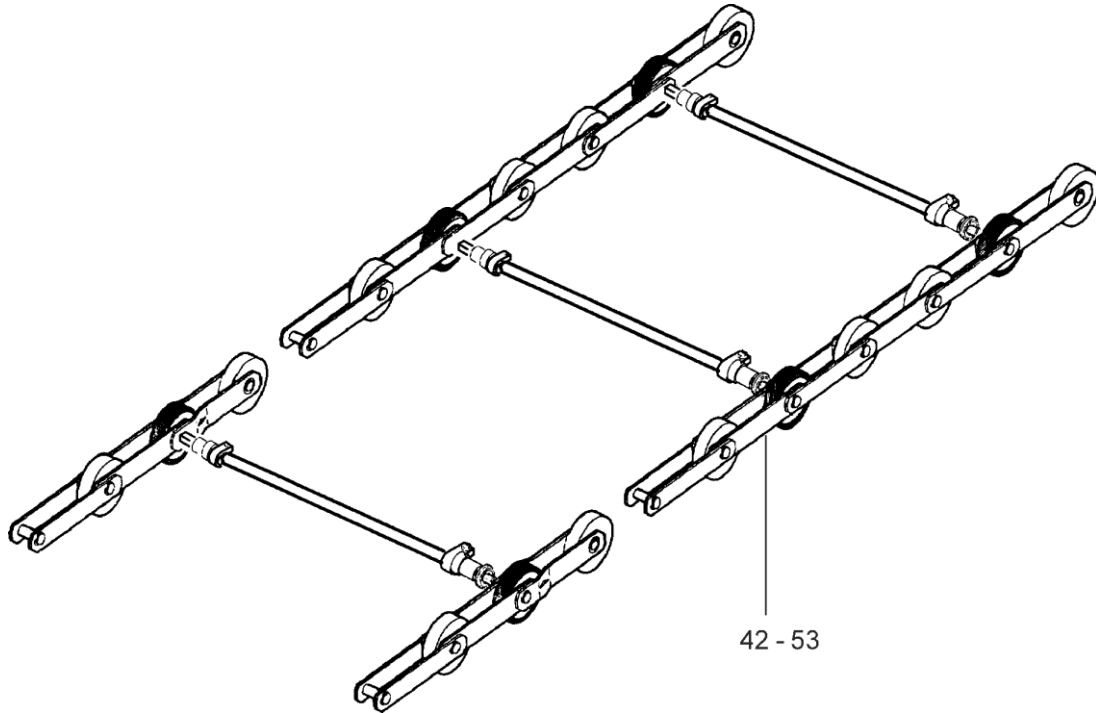
Trav-O-Lator 610NPT Pallet Chain, Bolt-015 mm



GAA26350C		
REF No.	PART No.	DESCRIPTION
37	GO430DF7	Connecting link
38	GO9704BG1	Inner link w/ rollers
39	GO9704BH1	Outer link w/ 2 pins
40	GO430DF1	Outer link
41	GO290AJ8	Roller

Trav-O-Lator 610NPT Pallet Chain, Bolt-020 mm

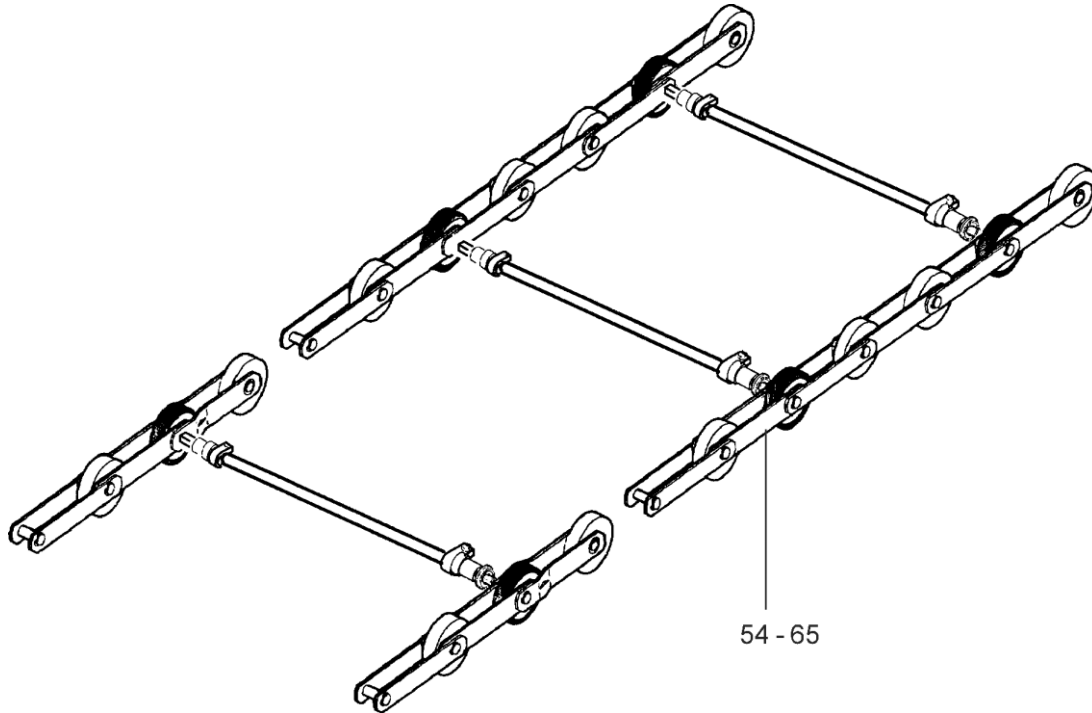
54-GAA26350C



GAA26350C			
REF No.	PART No.	DESCRIPTION	LOCATED
42	GAA26350C17	2-fold Unit 800	indoor
43	GAA26350C18	2-fold Unit 1000	
44	GAA26350C19	2-fold Unit 1200	
45	GAA26350C20	2-fold Unit 1400	
46	GAA26350C21	2-fold Unit 1500	
47	GAA26350C22	2-fold Unit 1600	
48	GAA26350C23	2-fold Unit 800	
49	GAA26350C24	2-fold Unit 1000	
50	GAA26350C25	2-fold Unit 1200	
51	GAA26350C26	2-fold Unit 1400	
52	GAA26350C27	2-fold Unit 1500	
53	GAA26350C28	2-fold Unit 1600	

Trav-O-Lator 610NPT Pallet Chain, Bolt-020 mm

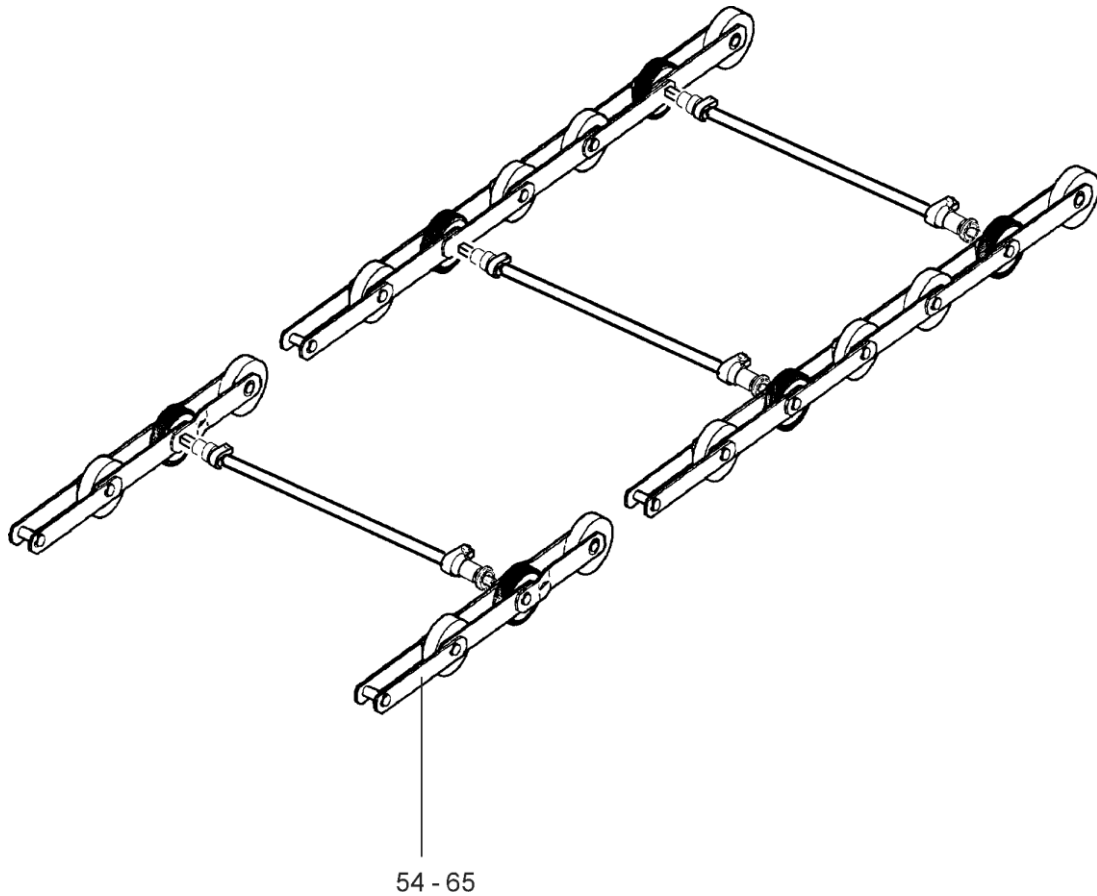
54-GAA26350C



GAA26350C			
REF No.	PART No.	DESCRIPTION	LOCATED
54	GAA26350C29	10-fold Unit 800	indoor
55	GAA26350C30	10-fold Unit 1000	
56	GAA26350C31	10-fold Unit 1200	
57	GAA26350C32	10-fold Unit 1400	
58	GAA26350C33	10-fold Unit 1500	
59	GAA26350C34	10-fold Unit 1600	
60	GAA26350C35	10-fold Unit 800	outdoor
61	GAA26350C36	10-fold Unit 1000	
62	GAA26350C37	10-fold Unit 1200	
63	GAA26350C38	10-fold Unit 1400	
64	GAA26350C39	10-fold Unit 1500	
65	GAA26350C40	10-fold Unit 1600	

Trav-O-Lator 610NPT Pallet Chain, Bolt-020 mm

54-GAA26350C

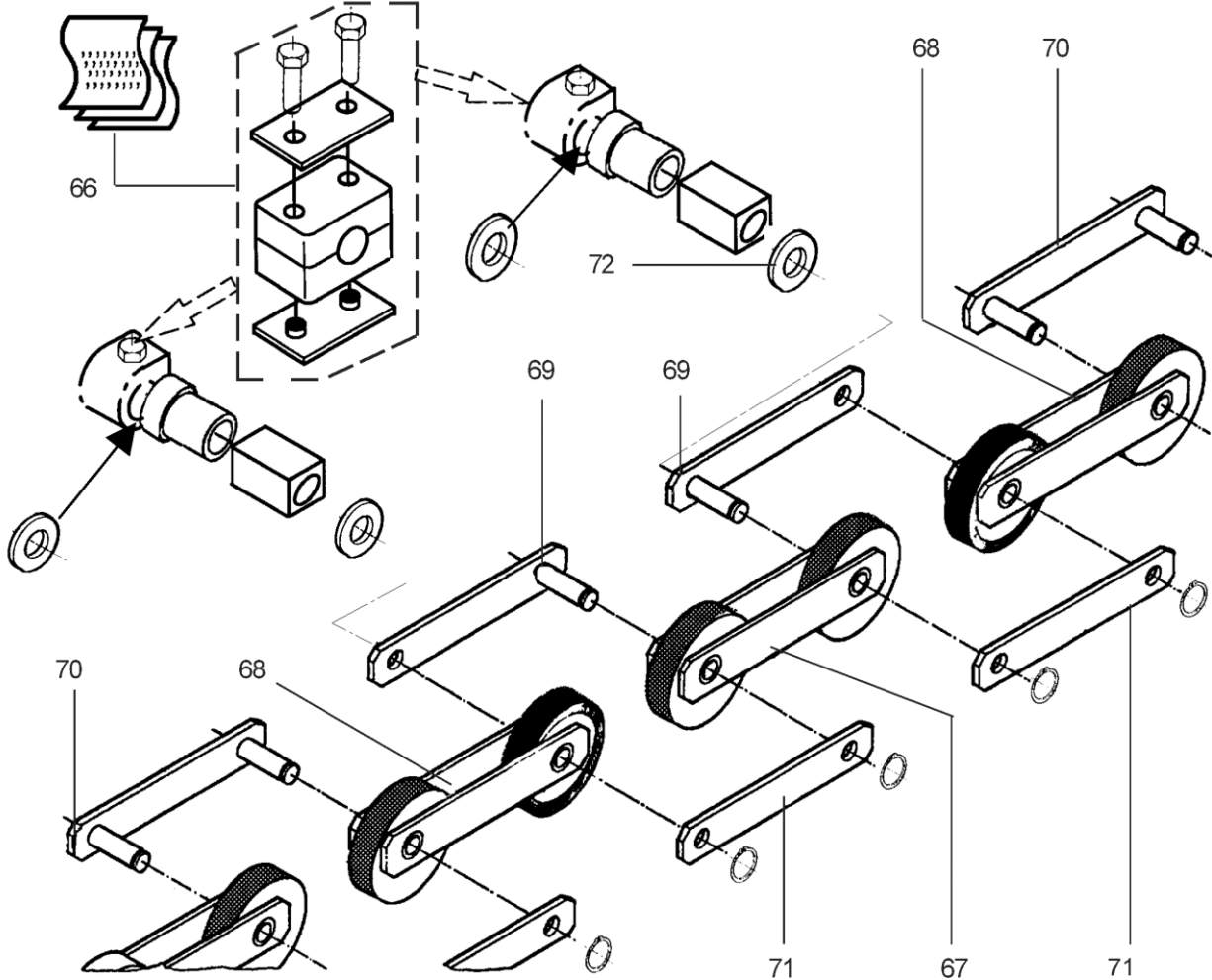


GAA26350C			
REF No.	PART No.	DESCRIPTION	LOCATED
54	GAA26350C73	Offset link 800	indoor
55	GAA26350C74	Offset link 1000	
56	GAA26350C75	Offset link 1200	
57	GAA26350C76	Offset link 1400	
58	GAA26350C77	Offset link 1500	
59	GAA26350C78	Offset link 1600	
60	GAA26350C79	Offset link 800	outdoor
61	GAA26350C80	Offset link 1000	
62	GAA26350C81	Offset link 1200	
63	GAA26350C82	Offset link 1400	
64	GAA26350C83	Offset link 1500	
65	GAA26350C84	Offset link 1600	

54-GAA26350C

**Trav-O-Lator 610NPT
Pallet Chain, Bolt-020 mm**

NOTE: Type 800-1000

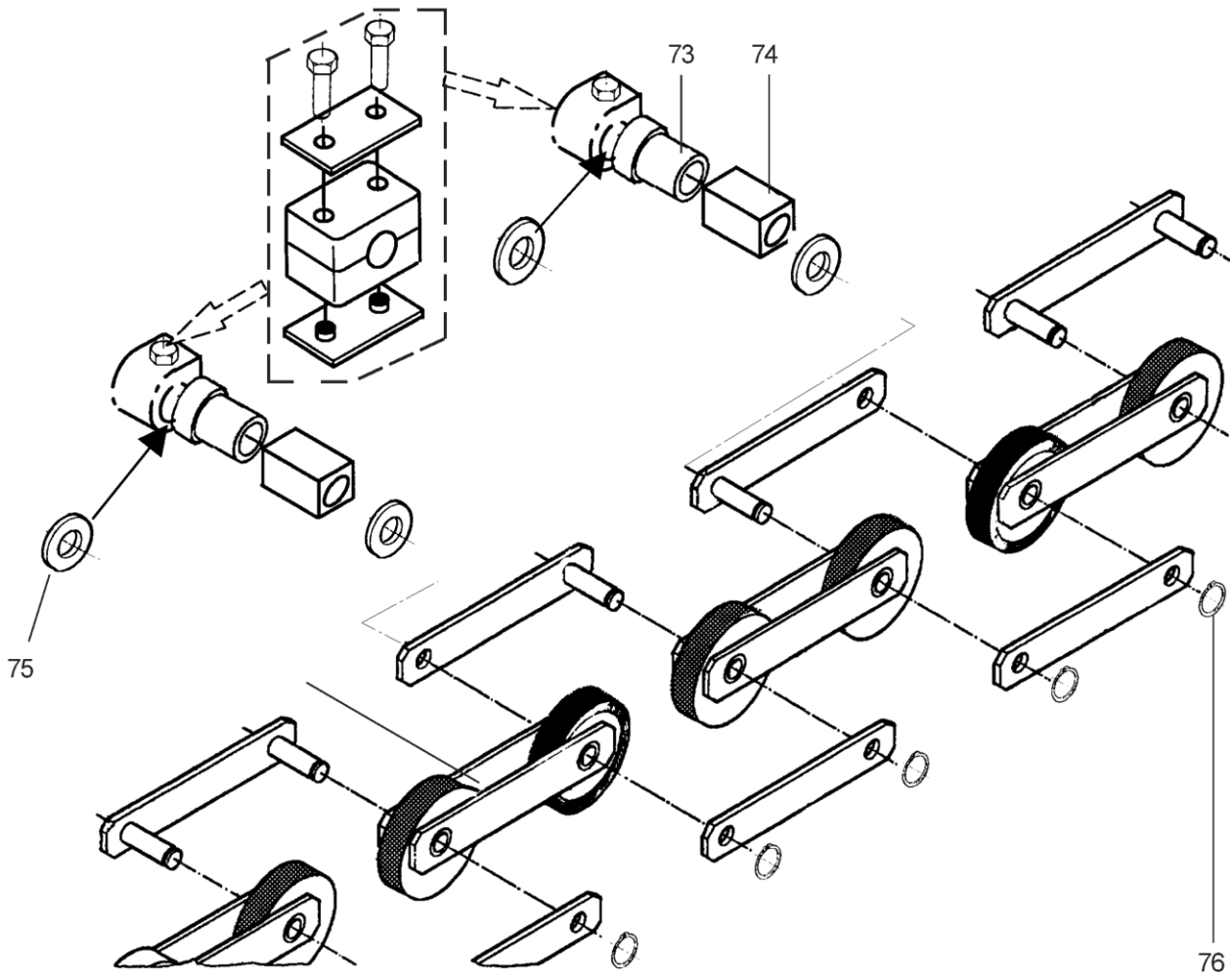


GAA26350C		
REF No.	PART No.	DESCRIPTION
66	GAA339GV1	Clamp
	GAA26CGH	Instruction
67	GO9704BF2	Inner link w/ rollers
68	GOA9704BG2	Inner link w/ rollers
69	GO9704BH6	Outer link w/ 1 pin
70	GO9704BH5	Outer link w/ 2 pins
71	GO430DF3	Outer link
72	GAA127GR1	Washer

Trav-O-Lator 610NPT Pallet Chain, Bolt-020 mm

54-GAA26350C

NOTE: Type 800-1000

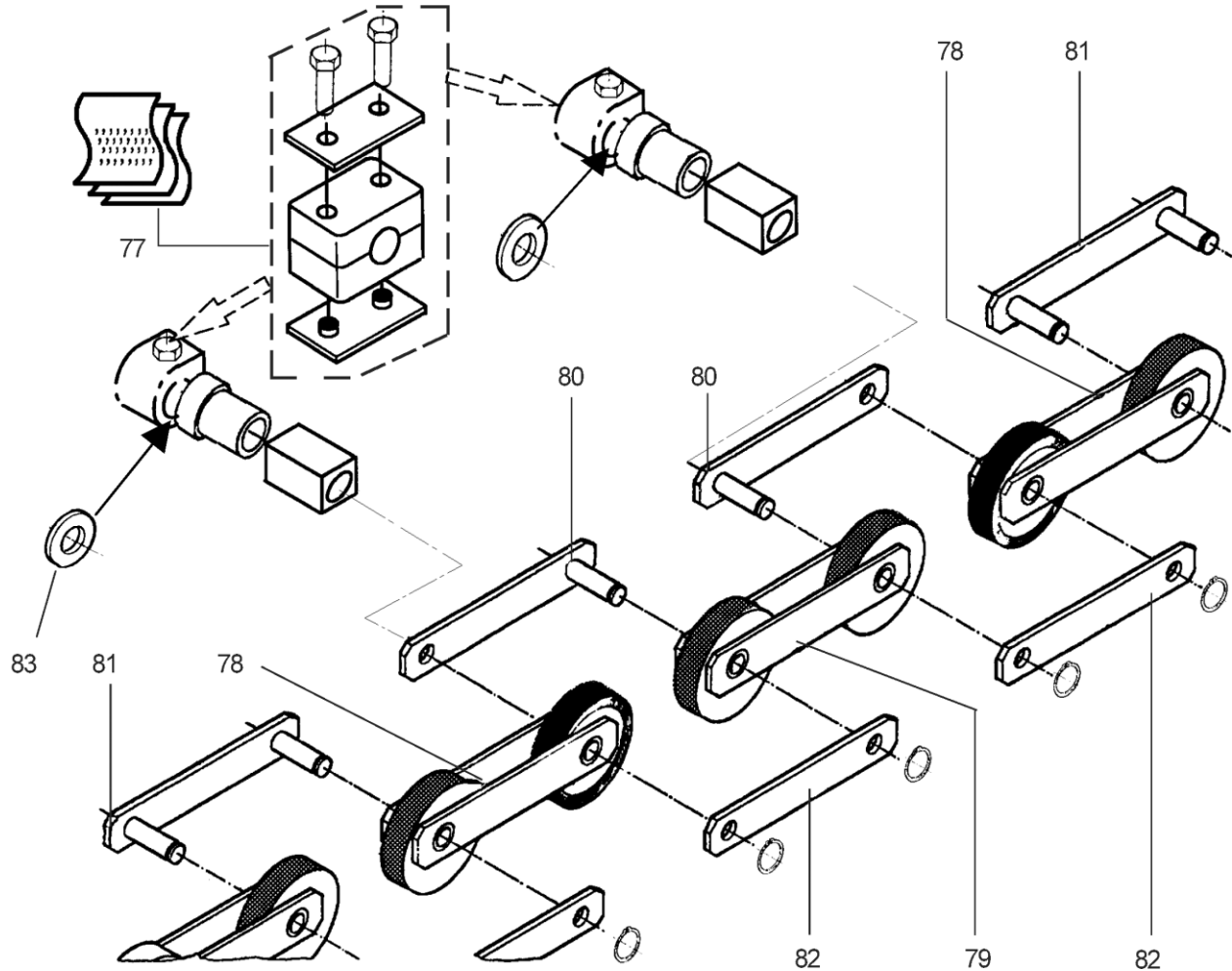


GAA26350C		
REF No.	PART No.	DESCRIPTION
73	GAA210AL4	Plain bearing bush
	GO210AG1	
74	GO210R4	Sliding block
	GO210AH1	
75	---	Washer, ISO7089 (DIN125) A23 (118158)
76	---	Retaining ring, DIN471 20x1,2 (147652)

Trav-O-Lator 610NPT Pallet Chain, Bolt-020 mm

54-GAA26350C

NOTE: Type 1200-1600

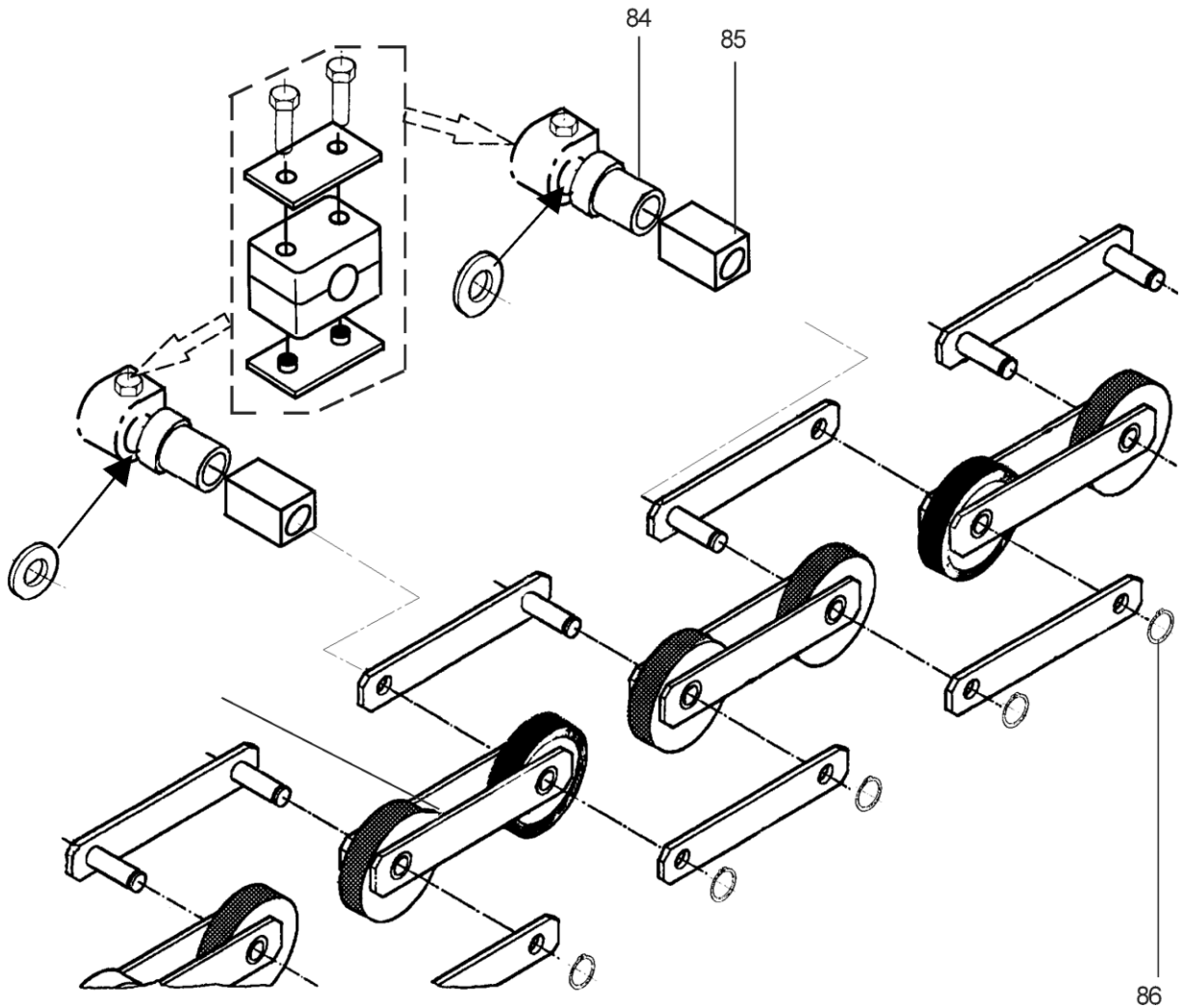


GAA26350C		
REF No.	PART No.	DESCRIPTION
77	GAA339GV2	Clamp
	GAA26CGH	Instruction
78	GOA9704BG2	Inner link w/ rollers
79	GO9704BF2	Inner link w/ rollers
80	GO9704BH6	Outer link w/ 1 pin
81	GO9704BH5	Outer link w/ 2 pins
82	GO430DF3	Outer link
83	GAA127FR1	Washer

Trav-O-Lator 610NPT Pallet Chain, Bolt-020 mm

54-GAA26350C

NOTE: Type 1200-1600

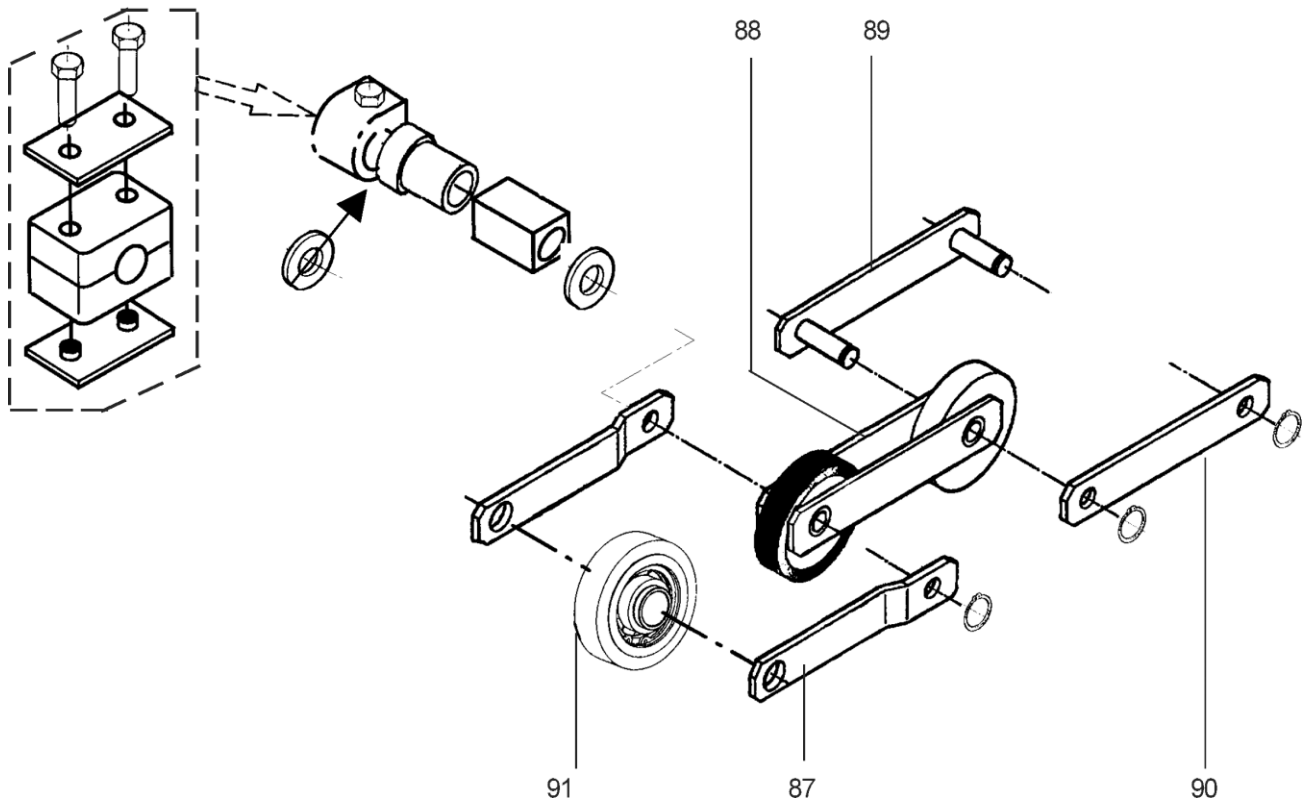


GAA26350C		
REF No.	PART No.	DESCRIPTION
84	GAA210AJ1	Plain bearing bush
85	GAA210AK1	Sliding block
86	---	Retaining ring, DIN471 20x1,2 (147652)

54-GAA26350C

Trav-O-Lator 610NPT Pallet Chain, Bolt-020 mm

NOTE: Type 800-1000

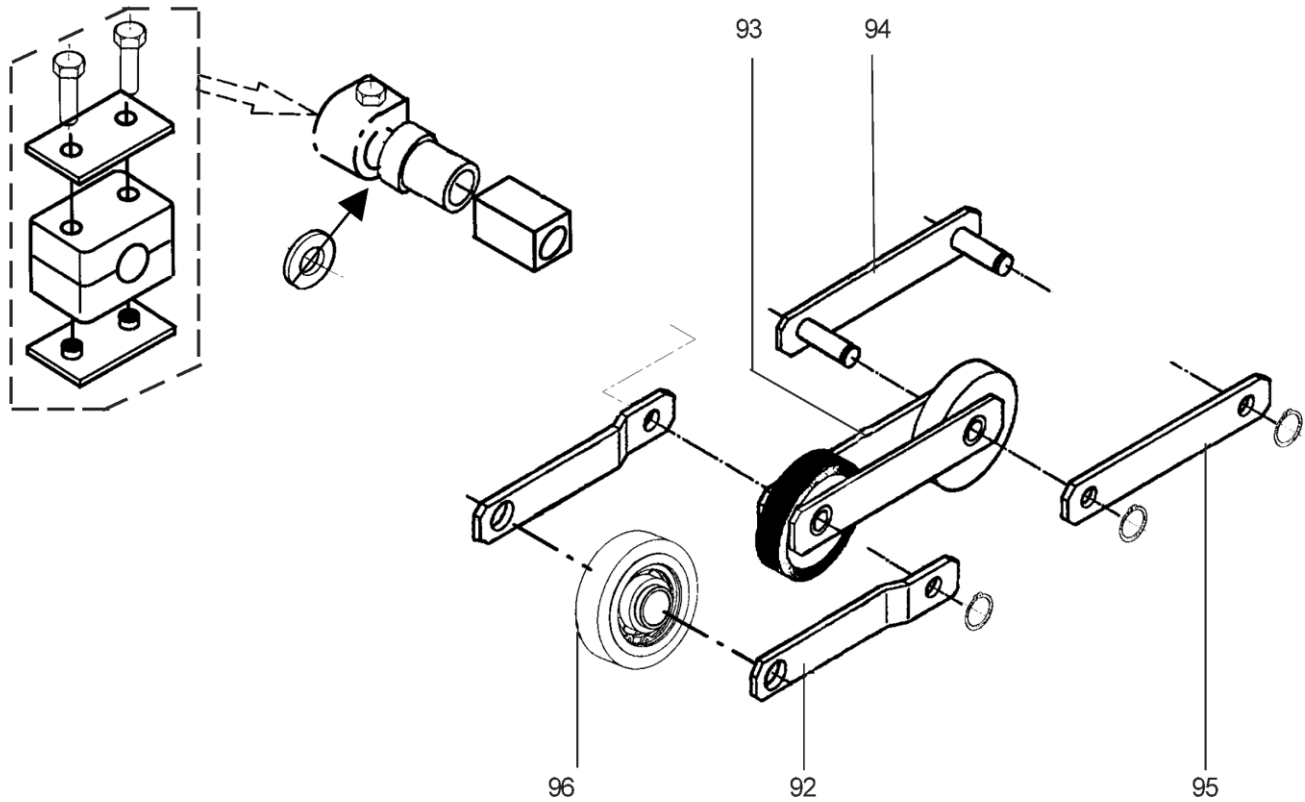


GAA26350C		
REF No.	PART No.	DESCRIPTION
87	GO430DF8	Connecting link
88	GOA9704BG2	Inner link w/ rollers
89	GO9704BH5	Outer link w/ 2 pins
90	GO430DF3	Outer link
91	GO290AJ3	Roller

Trav-O-Lator 610NPT Pallet Chain, Bolt-020 mm

54-GAA26350C

NOTE: Type 1200-1600

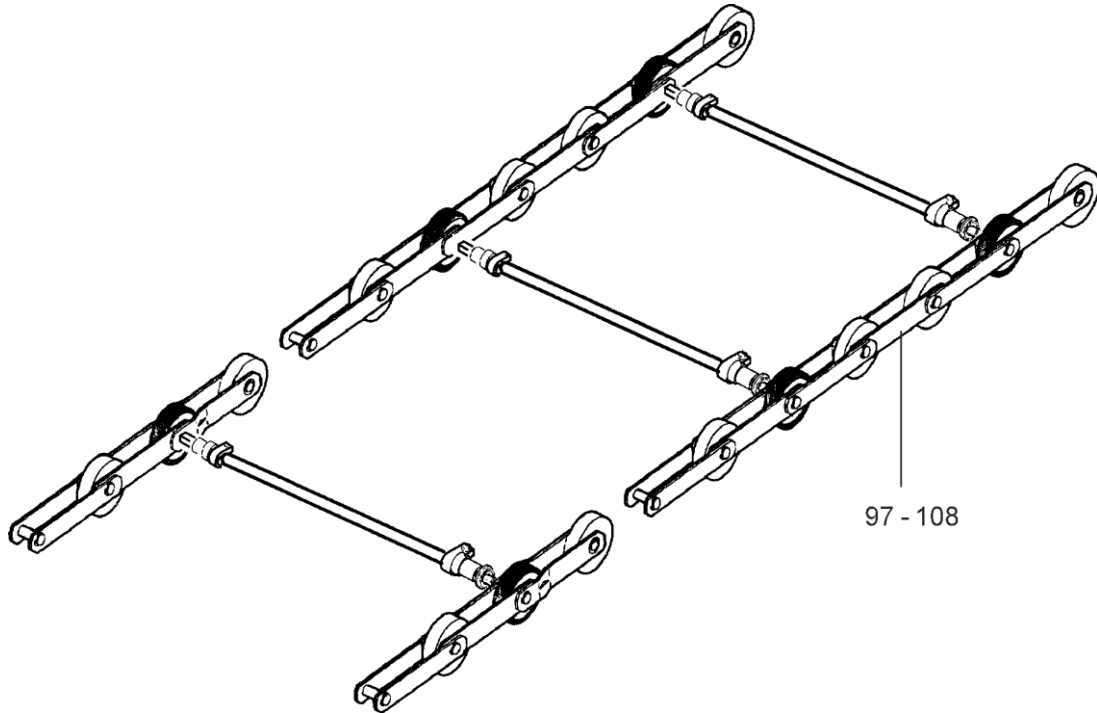


GAA26350C		
REF No.	PART No.	DESCRIPTION
92	GO430DF8	Connecting link
93	GOA9704BG2	Inner link w/ rollers
94	GO9704BH5	Outer link w/ 2 pins
95	GO430DF3	Outer link
96	GO290AJ3	Roller

Trav-O-Lator 610NPT

Pallet Chain, Bolt-025 mm

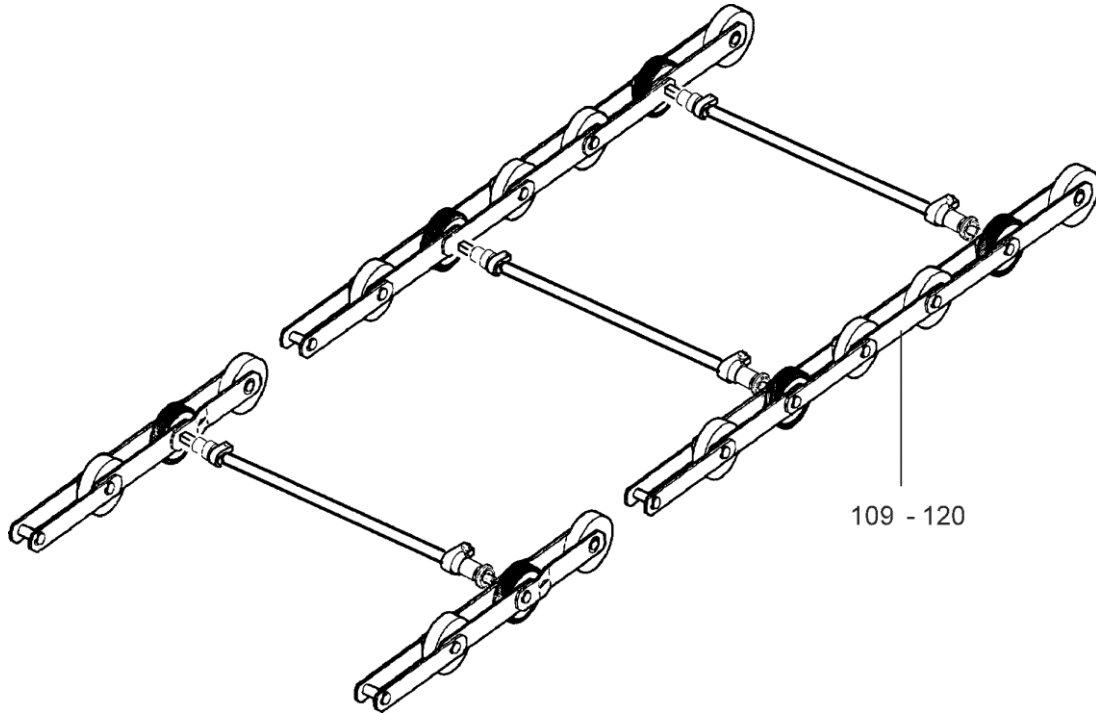
54-GAA26350C



GAA26350C			
REF No.	PART No.	DESCRIPTION	LOCATED
97	GAA26350C41	2-fold Unit 800	indoor
98	GAA26350C42	2-fold Unit 1000	
99	GAA26350C43	2-fold Unit 1200	
100	GAA26350C44	2-fold Unit 1400	
101	GAA26350C45	2-fold Unit 1500	
102	GAA26350C46	2-fold Unit 1600	
103	GAA26350C47	2-fold Unit 800	outdoor
104	GAA26350C48	2-fold Unit 1000	
105	GAA26350C49	2-fold Unit 1200	
106	GAA26350C50	2-fold Unit 1400	
107	GAA26350C51	2-fold Unit 1500	
108	GAA26350C52	2-fold Unit 1600	

Trav-O-Lator 610NPT Pallet Chain, Bolt-025 mm

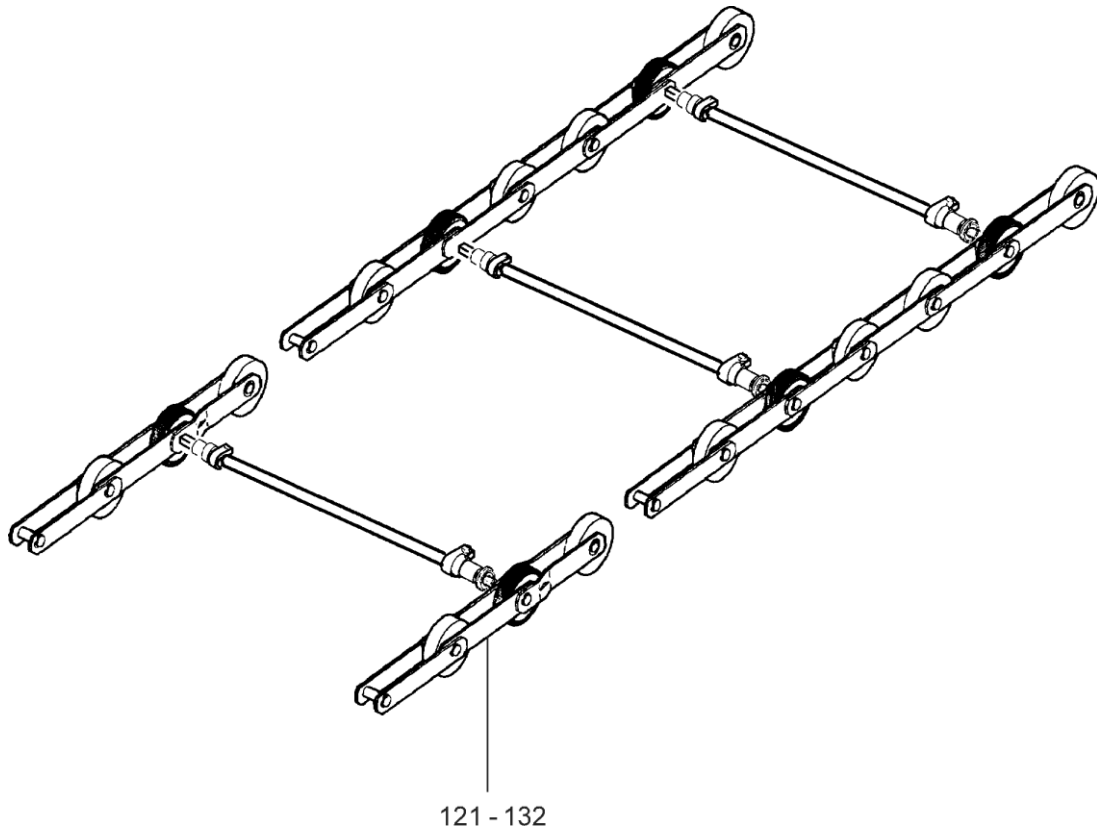
54-GAA26350C



GAA26350C			
REF No.	PART No.	DESCRIPTION	LOCATED
109	GAA26350C53	10-fold Unit 800	Indoor
110	GAA26350C54	10-fold Unit 1000	
111	GAA26350C55	10-fold Unit 1200	
112	GAA26350C56	10-fold Unit 1400	
113	GAA26350C57	10-fold Unit 1500	
114	GAA26350C58	10-fold Unit 1600	
115	GAA26350C59	10-fold Unit 800	Outdoor
116	GAA26350C60	10-fold Unit 1000	
117	GAA26350C61	10-fold Unit 1200	
118	GAA26350C62	10-fold Unit 1400	
119	GAA26350C63	10-fold Unit 1500	
120	GAA26350C64	10-fold Unit 1600	

54-GAA26350C

**Trav-O-Lator 610NPT
Pallet Chain, Bolt-025 mm**

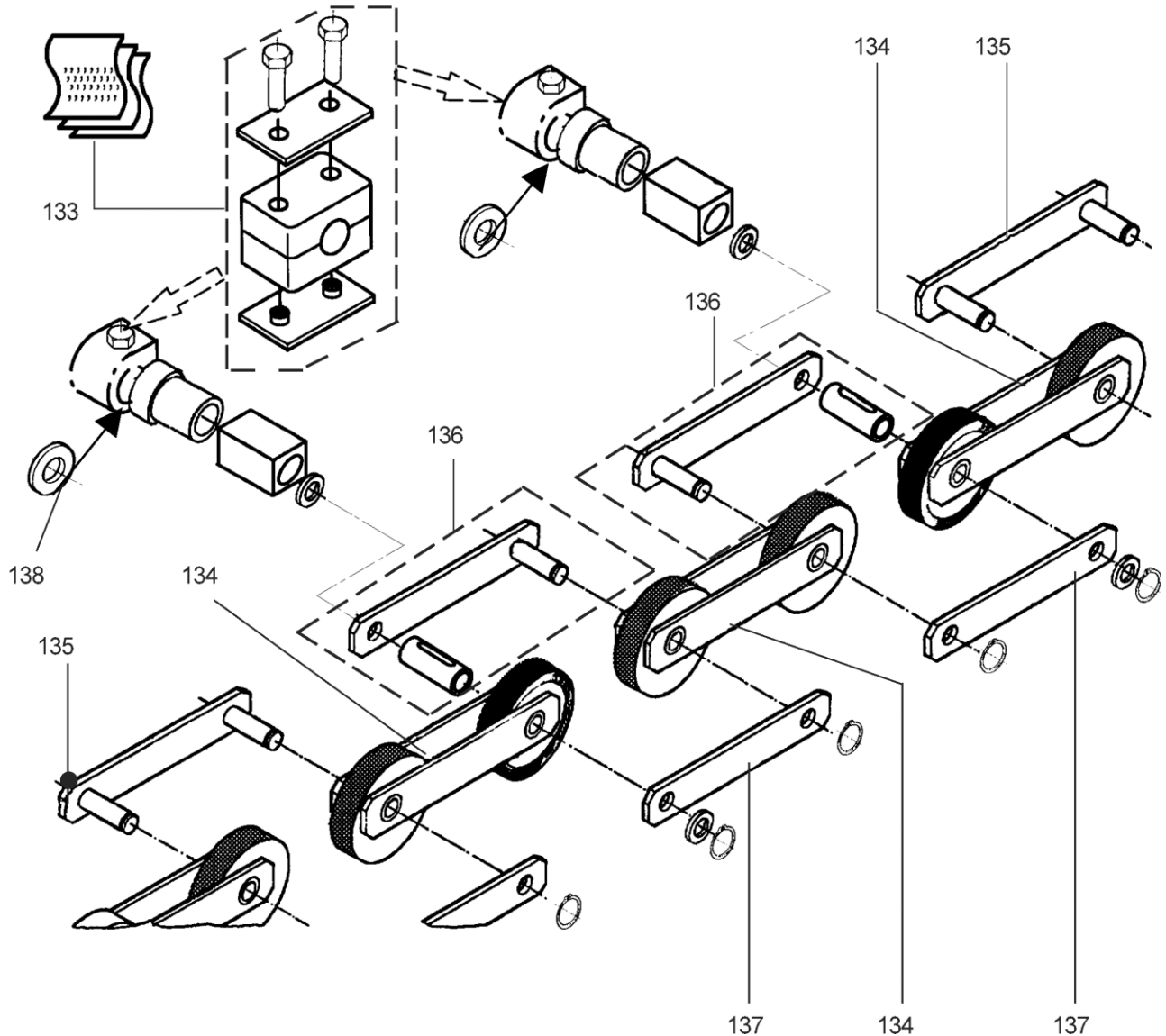


GAA26350C			
REF No.	PART No.	DESCRIPTION	LOCATED
121	GAA26350C85	Offset link 800	indoor
122	GAA26350C86	Offset link 1000	
123	GAA26350C87	Offset link 1200	
124	GAA26350C88	Offset link 1400	
125	GAA26350C89	Offset link 1500	
126	GAA26350C90	Offset link 1600	
127	GAA26350C91	Offset link 800	outdoor
128	GAA26350C92	Offset link 1000	
129	GAA26350C93	Offset link 1200	
130	GAA26350C94	Offset link 1400	
131	GAA26350C95	Offset link 1500	
132	GAA26350C96	Offset link 1600	

Trav-O-Lator 610NPT Pallet Chain, Bolt-025 mm

54-GAA26350C

NOTE: Type 800-1000

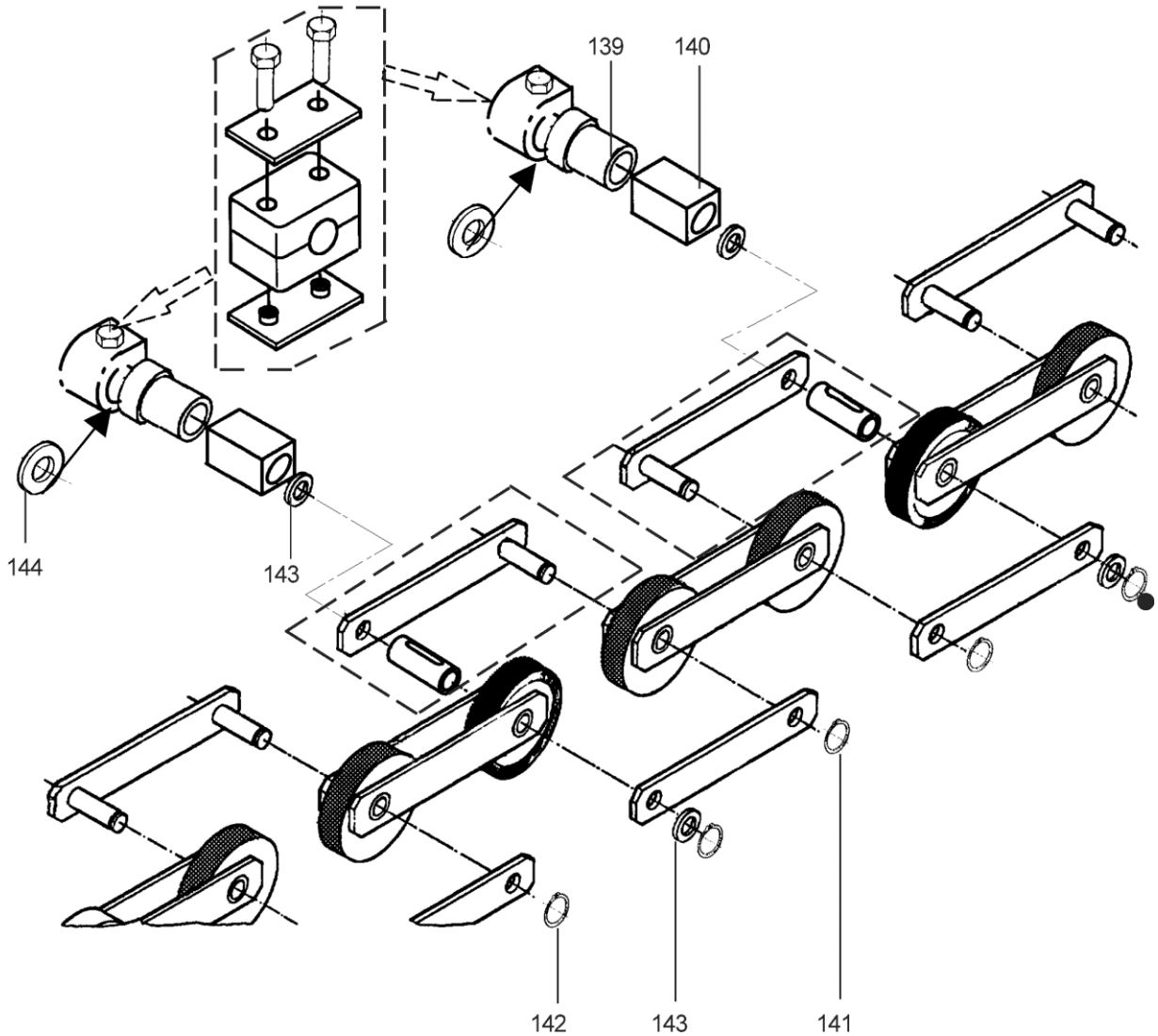


REF No.	PART No.	DESCRIPTION
133	GAA339GV1	Clamp
	GAA26CGH	Instruction
134	GOA9704BP1	Inner link w/ rollers
135	GO9704BH9	Outer link w/ 2 pins
136	GO9704BM1	Outer link w/ 1 pin & bushing
137	GO430DF5	Outer link
138	---	Washer, ISO7089 (DIN125) A23 (118158)

Trav-O-Lator 610NPT Pallet Chain, Bolt-025 mm

54-GAA26350C

NOTE: Type 800-1000

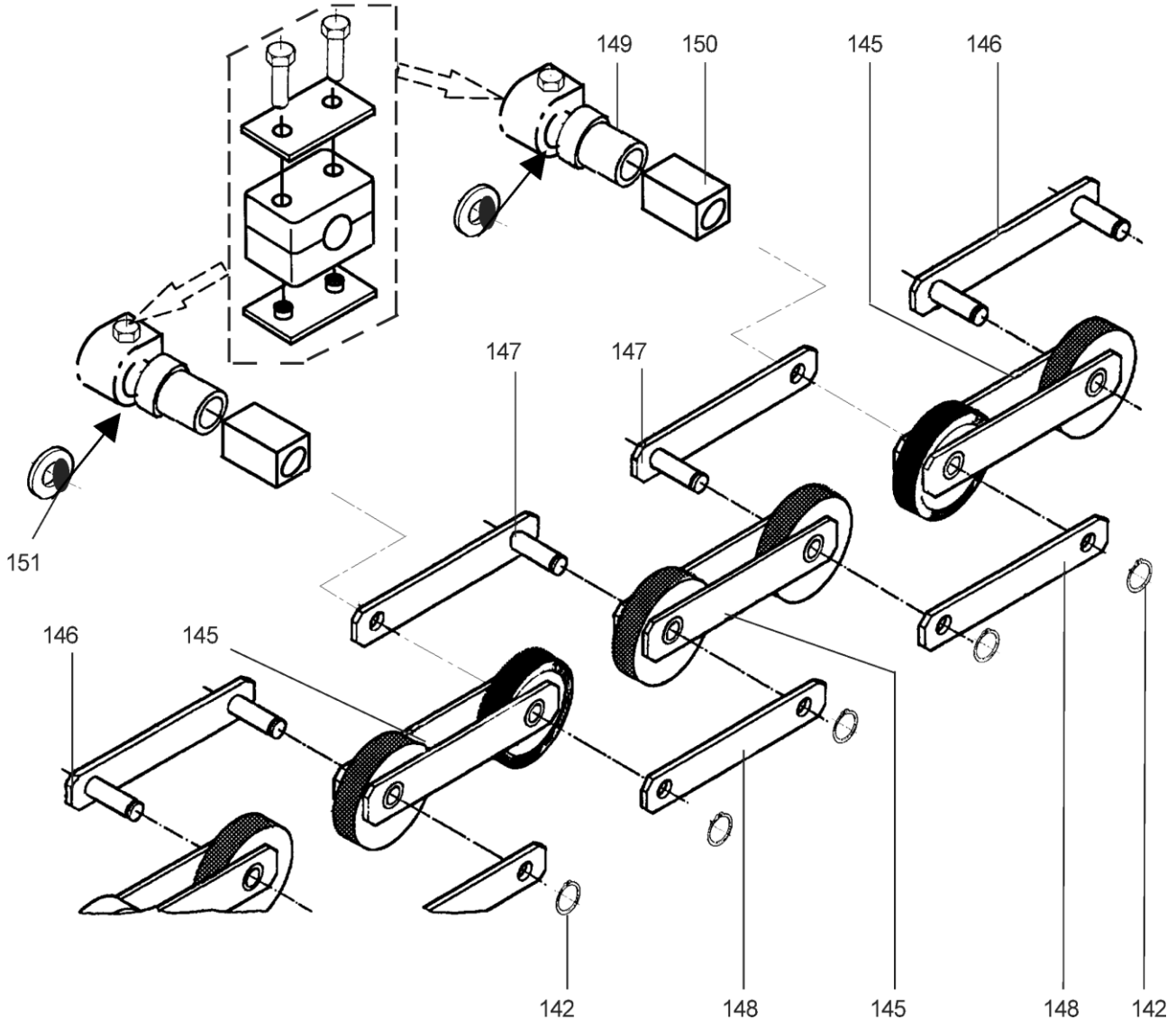


GAA26350C		
REF No.	PART No.	DESCRIPTION
139	GAA21AL1	Plain bearing bush
	GO210AG1	
140	GO210R1	Sliding block
	GO210AH1	
141	---	Retaining ring, DIN471 20x1,2 (147652)
142	---	Retaining ring, DIN471 25x1,2 (163154)
143	---	Supporting ring, DIN988 S20x28x2 (174607)
144	---	Washer, ISO7089 (DIN125) A23 (118158)

Trav-O-Lator 610NPT Pallet Chain, Bolt-025 mm

54-GAA26350C

NOTE: Type 1200-1600

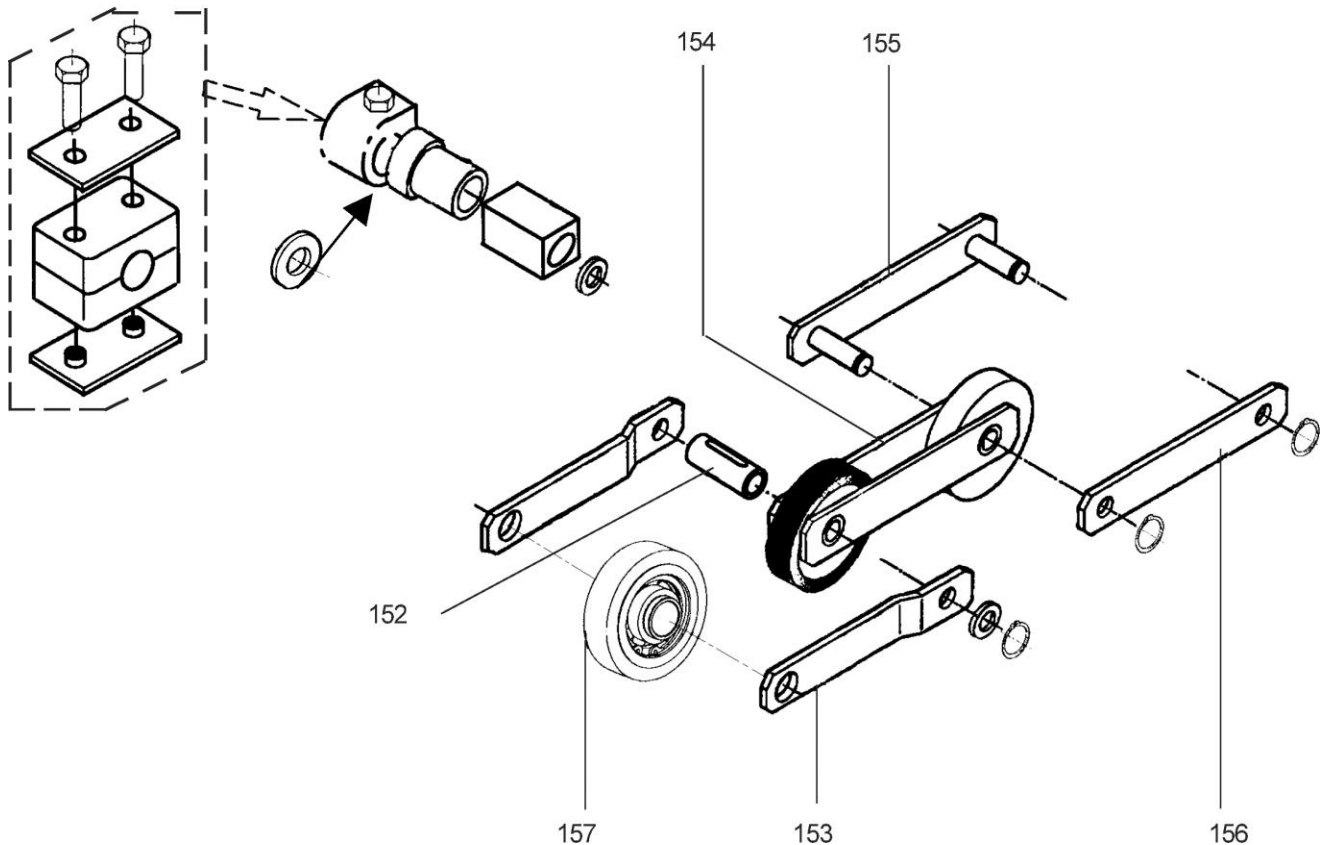


GAA26350C		
REF No.	PART No.	DESCRIPTION
145	GOA9704BP1	Inner link w/ rollers
146	GO9704BH9	Outer link w/ 2 ins
147	GO9704BH15	Outer link w/ 1 in
148	GO430DF5	Outer link
149	GAA210AJ1	Plain bearing bush
150	GAA210AK1	Slide block
151	GAA127FR1	Washer

54-GAA26350C

Trav-O-Lator 610NPT Pallet Chain, Bolt-025 mm

NOTE: Type 800-1000

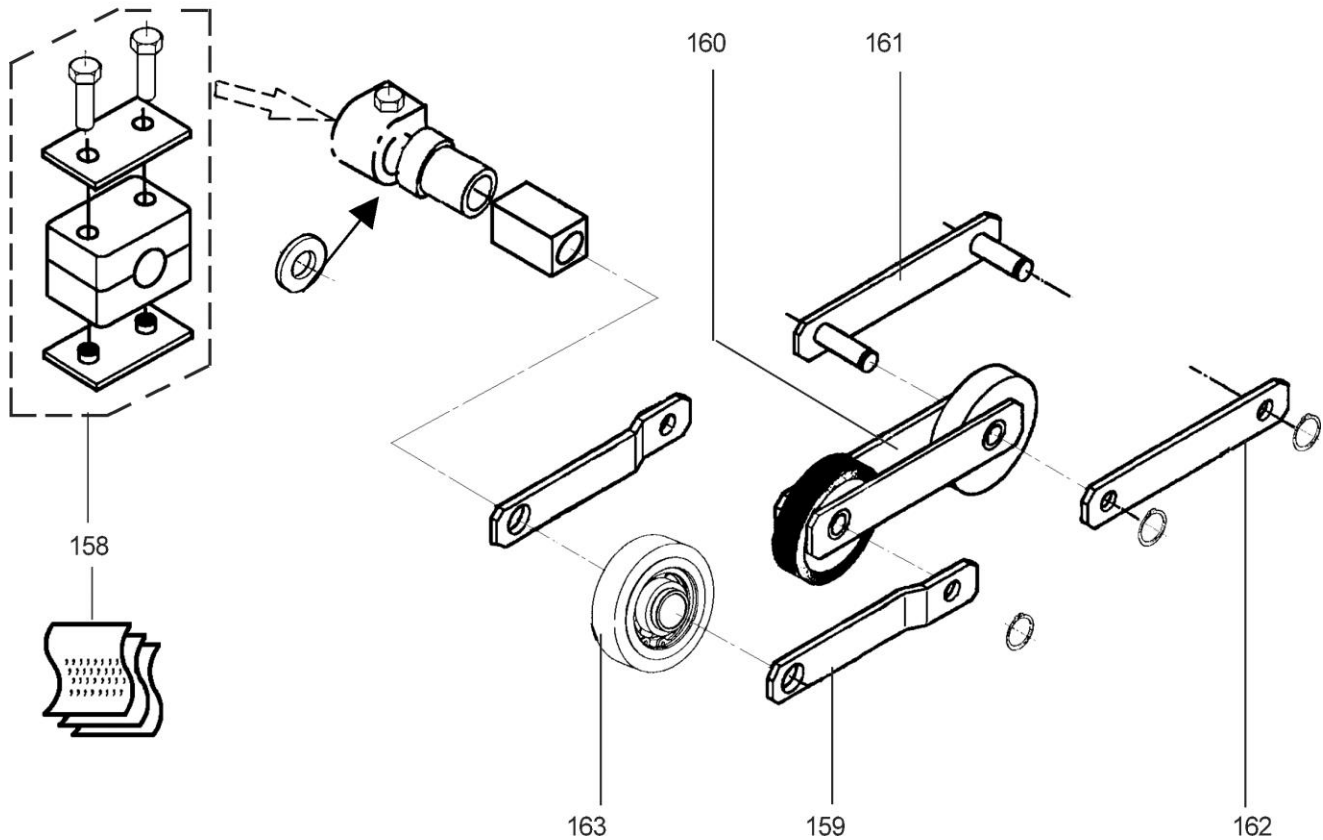


GAA26350C		
REF No.	PART No.	DESCRIPTION
152	GO321 ES2	Bushing , only for type 800-1000
153	GO430DF9	Connecting link
154	GOA9704BP1	Inner link w/ rollers
155	GO9704BH9	Outer link w/ 2 pins
156	GO430DF5	Outer link
157	GAA290CB3	Roller

Trav-O-Lator 610NPT Pallet Chain, Bolt-025 mm

54-GAA26350C

NOTE: Type 1200-1600



GAA26350C		
REF No.	PART No.	DESCRIPTION
158	GAA339GV2	Clamp
	GAA26CGH	Instruction
159	GO430DF9	Connecting link
160	GOA9704BP1	Inner link w/ rollers
161	GO9704BH9	Outer link w/ 2 pins
162	GO430DF5	Outer link
163	GAA290CB3	Roller