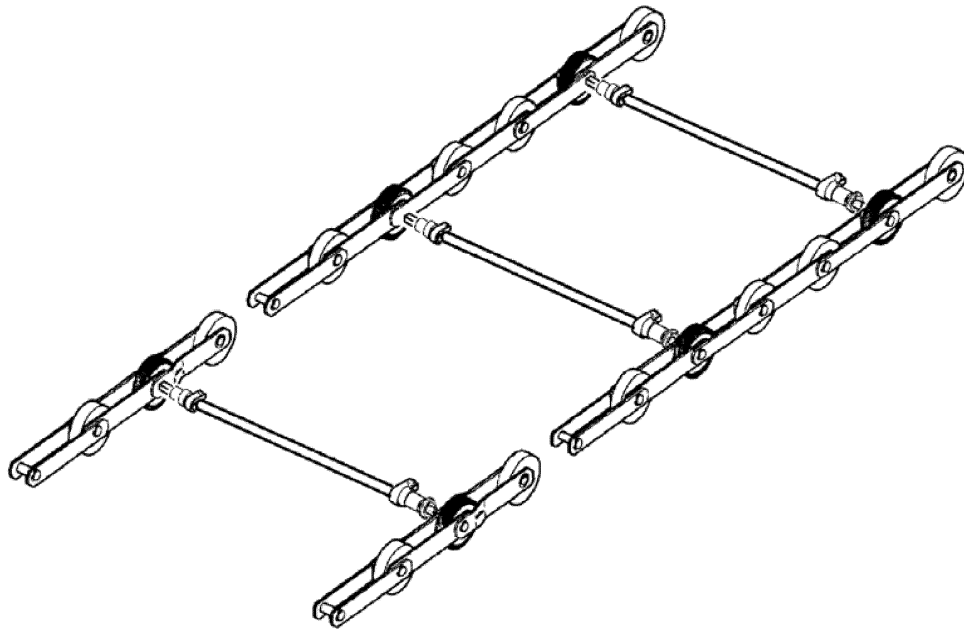
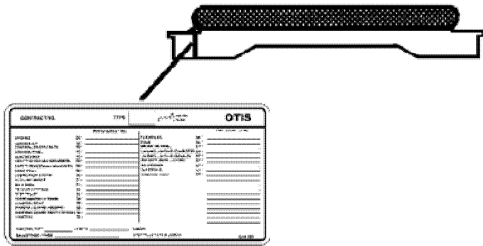


**Trav-O-Lator® 610NPT  
Pallet Chain, Bolt  
∅12.7 mm**

**Spare Parts Leaflet**

**54-GAA26350D**

**April 8, 2009 / Page 1 of 6**



**OTIS**

**Safety First!**

**SERVICE ENGINEERING  
Otis Elevator Company  
Bloomfield, Connecticut USA**

**Leaflet Description**

This leaflet is the ETO SPL 54-G..26350D and details the lowest replaceable units (LRUs) for 610 NPT Trav-o-lator® pallet chain.

**Leaflet Revisions**

<b>Date Revised</b>	<b>Subject Matter Expert</b>	<b>Reason for Revision</b>
April 8, 2009	Tom Charney	NSAA release of ETO SPL 54-G..26350D

**Related Drawings**

<b>Drawing No.</b>	<b>Title</b>	<b>Drawing No.</b>	<b>Title</b>
GAA26350D	Pallet Chain	GBA26350D	Pallet Chain
GAA26350N	Pallet Chain	GBA26350N	Pallet Chain

**Related Documents**

<b>Document ID</b>	<b>Title</b>
ETO SPL 54-G..26350D	Trav-o-lator® 610 NPT Pallet Chain, Bolt 12.7 mm

**Subject Matter Expert**

<b>Name</b>	<b>Department</b>
Tom Charney	OSC Service Engineering

**About Spare Parts Leaflets...**

This document lists the lowest replaceable units (LRUs) for the standard version of the product. The LRUs are chosen by a team of Otis associates representing engineering and manufacturing.

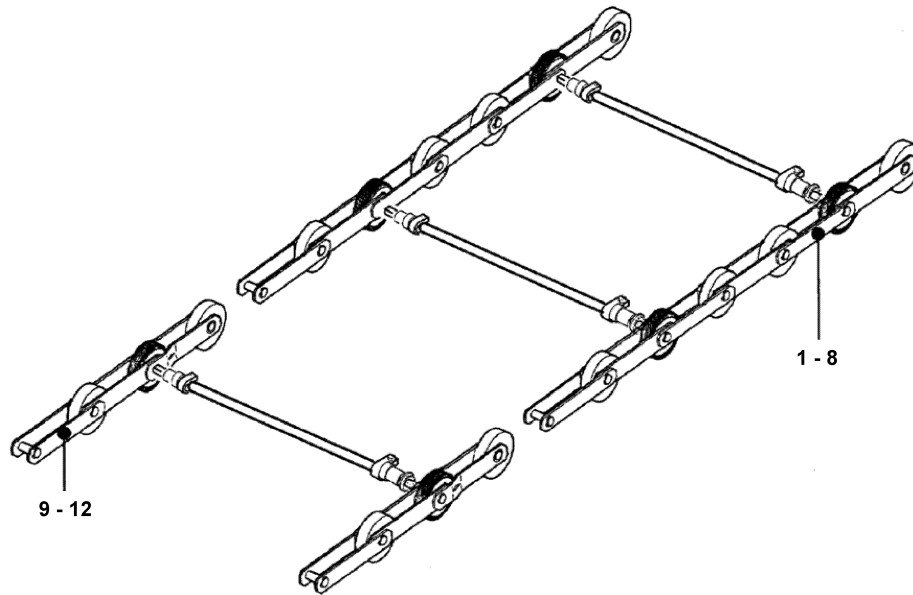
While goal of this document is to make parts identification as easy as possible, the document cannot be all-inclusive. Elevator and escalator contracts classified as “special” or “custom” are not addressed here. For such contracts, please refer to specified information, the contract folder, TIPs, Field Education Articles, Construction Letters, etc. for further information.

If you have any suggestions about this document, please contact the subject matter expert listed on this page.

# Trav-O-Lator 610NPT

## Pallet Chain, Bolt $\varnothing$ 12.7 mm

**54-GAA26350D**



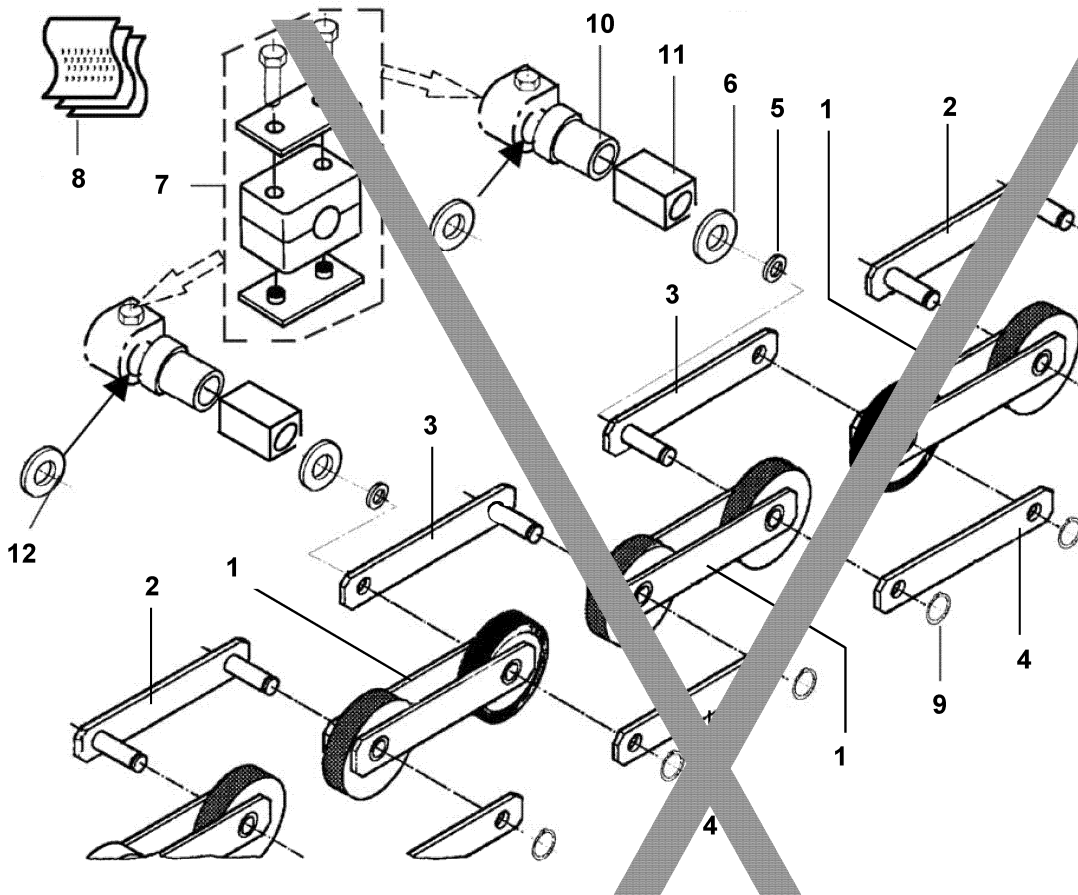
**GAA26350D**  
**GBA26350N**

REF. NO.	PART or ML	DESCRIPTION
1	GAA26350D1 GBA26350N2	2-Fold Unit Indoor 800
2	GAA26350D2 GBA26350N3	2-Fold Unit Indoor 1000
3	GAA26350D3 GBA26350N11	2-Fold Unit Outdoor 800
4	GAA26350D4 GBA26350N12	2-Fold Unit Outdoor 1000
5	GAA26350D5 GBA26350N5	10-Fold Unit Indoor 800
6	GAA26350D6 GBA26350N6	10-Fold Unit Indoor 1000
7	GAA26350D7 GBA26350N14	10-Fold Unit Outdoor 800
8	GAA26350D8 GBA26350N15	10-Fold Unit Outdoor 1000
9	GAA26350D9 GBA26350N8	Offset Link Indoor 800
10	GAA26350D10 GBA26350N9	Offset Link Indoor 1000
11	GAA26350D11 GBA26350N17	Offset Link Outdoor 800
12	GAA26350D12 GBA26350N18	Offset Link Outdoor 1000

**54-GAA26350D**

**Trav-O-Lator 610NPT  
Pallet Chain, Bolt  $\varnothing$ 12.7 mm**

 Page 2

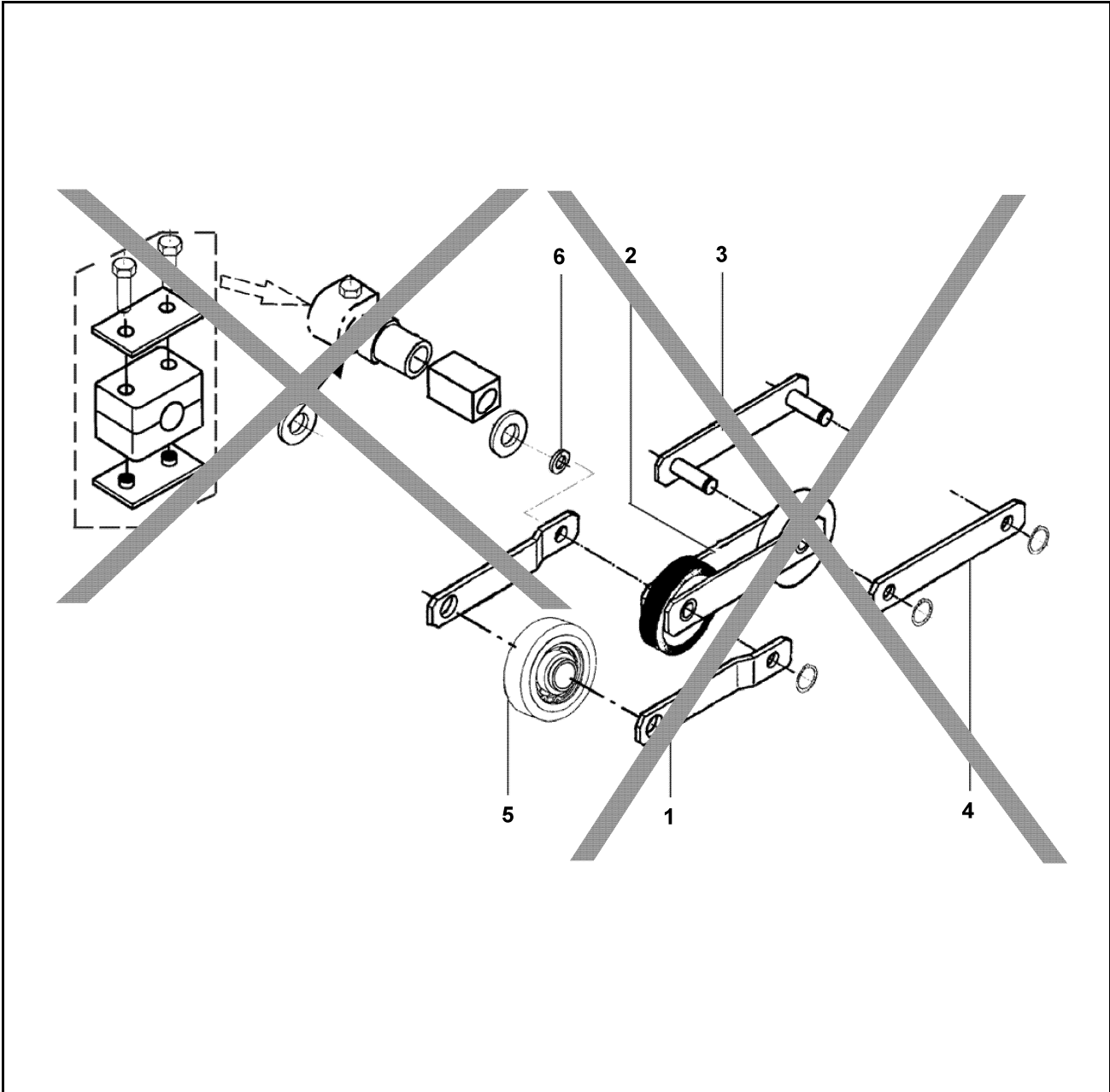






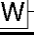

**GAA26350D**

REF. No.	PART or ML	DESCRIPTION
1	GAA26350D15	Inner Link With Rollers
2	GAA26350D13	Outer Link With 2 Pins
3	GAA26350D14	Outer Link With 1 Pin
4	GO430AH1	Outer Link
5	462AH1	Spacer
6	GAA127GR1	Washer
7	GAA339GV1	Clamp
8	GAA26CGH	Instruction
9	---	Retaining Ring DIN471 15x1 (17228)
10	GO210AG1	Slide Bushing
11	GO210AH1	Sliding Block
12	WASHER	ISO7089 (DIN125) A23 (118158)

# Trav-O-Lator 610NPT Pallet Chain, Bolt $\varnothing$ 12.7 mm

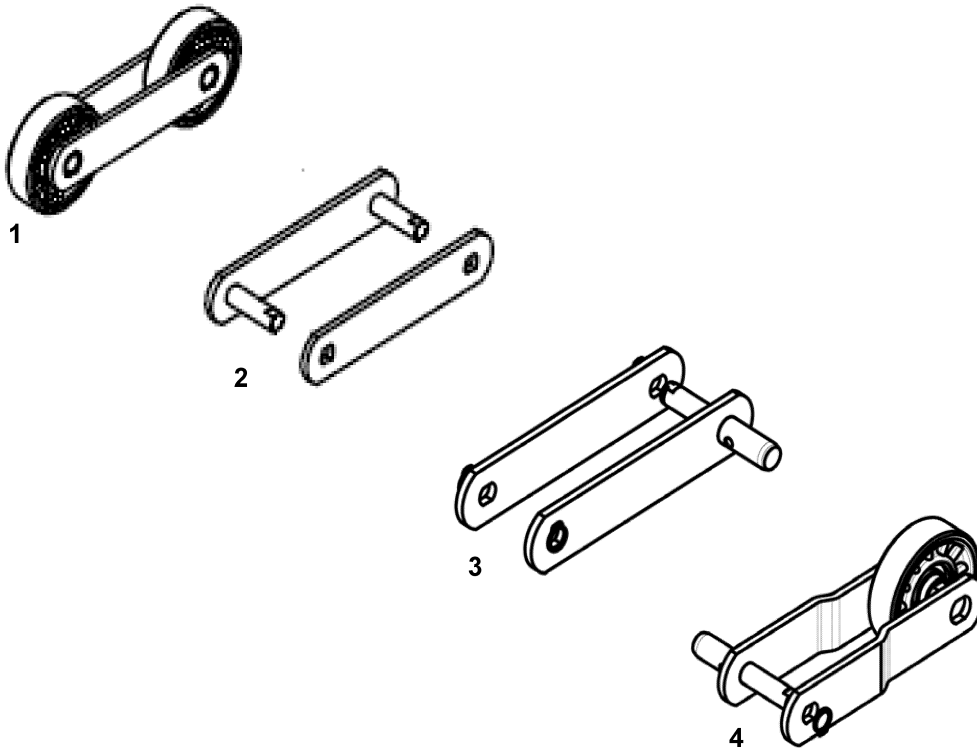
**54-GAA26350D**



<b>GAA26350D</b>		
<b>REF. NO.</b>	<b>PART or ML</b>	<b>DESCRIPTION</b>
4	430BC1	Connecting Link  Page 3
2	GAA26350D15	Inner Link With Rollers  Page 3
3	GAA26350D13	Outer Link With 2 Pins  Page 3
4	GO430AH4	Outer Link  Page 3
5	GAA290CF4	Roller  G..26350D
6	462BX1	Spacer  Page 3

**54-GAA26350D**

# Trav-O-Lator 610NPT Pallet Chain, Bolt $\varnothing$ 12.7 mm



**W** → **G..26350N**

<b>GBA26350N</b>		
<b>REF. NO.</b>	<b>PART or ML</b>	<b>DESCRIPTION</b>
1	GBA26350N19	Inner Link Complete
2	GBA26350N20	Outer Link Complete
3	GBA26350N21	Outer Link Axle
4	GBA26350N23	Off Set Link