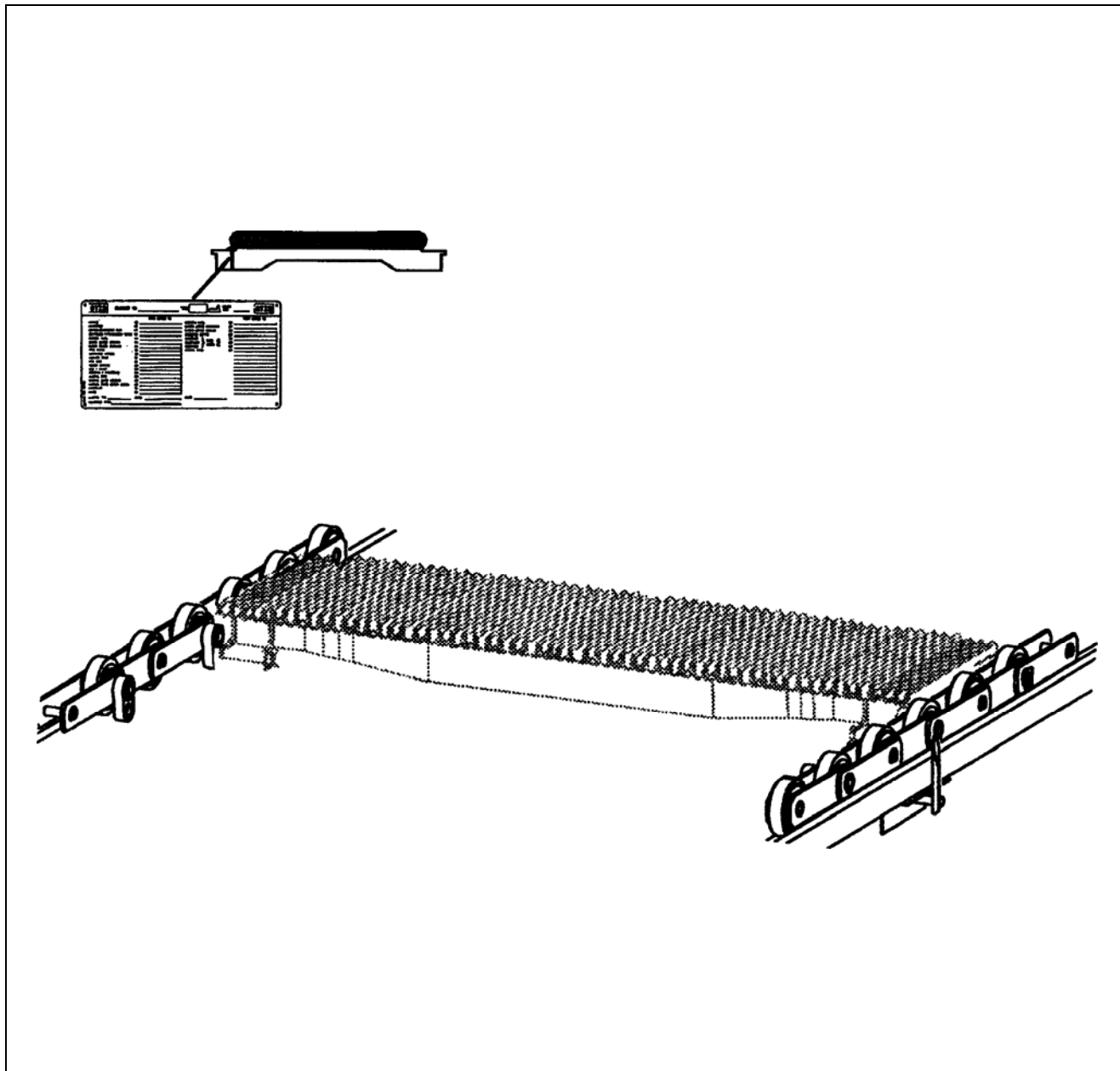


Trav-O-Lator 606 NCT  
Pallet Chain

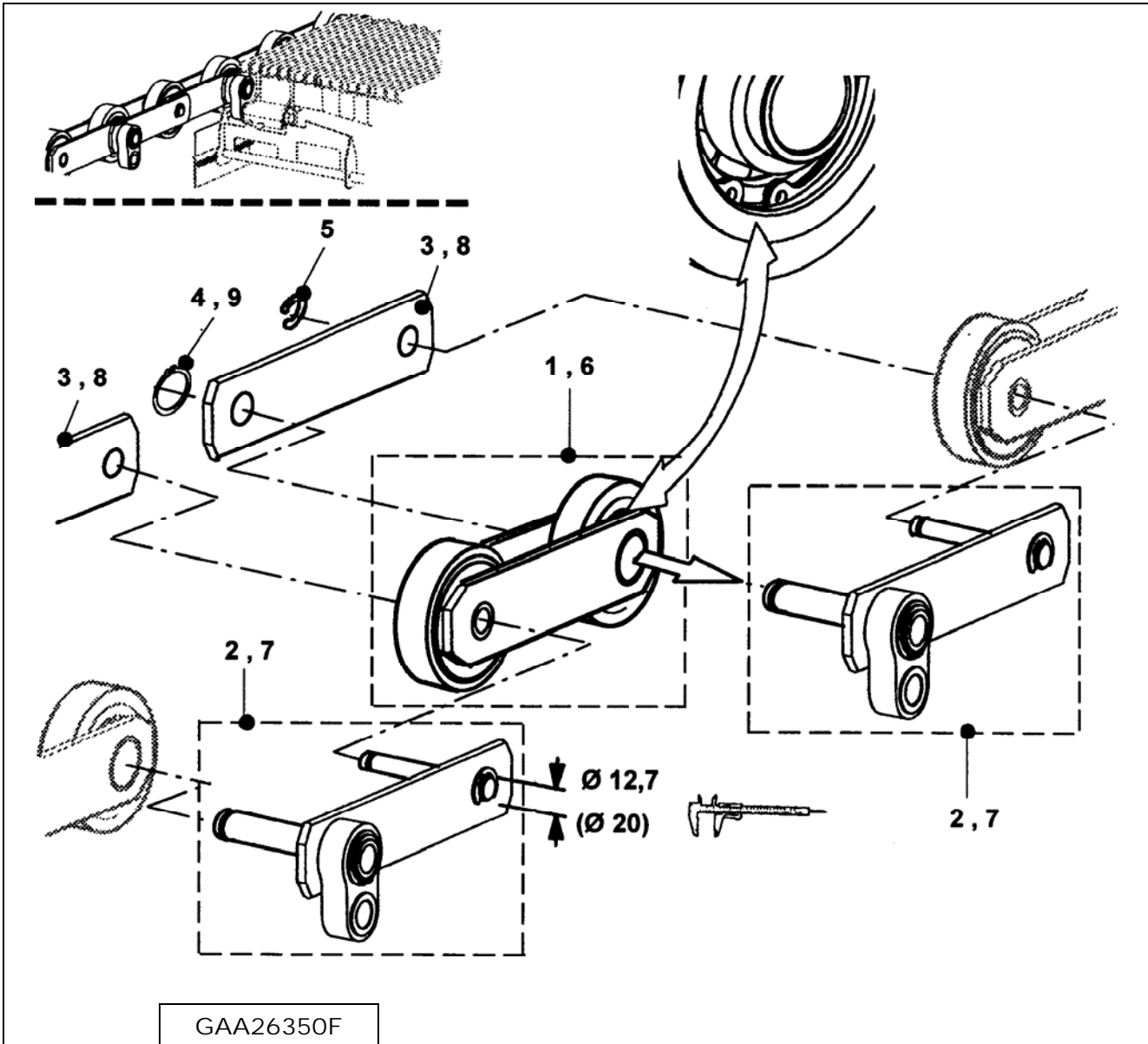
Spare Parts Leaflet

54-G..26350F

November 1999 / Page 1 of 4



**OTIS**



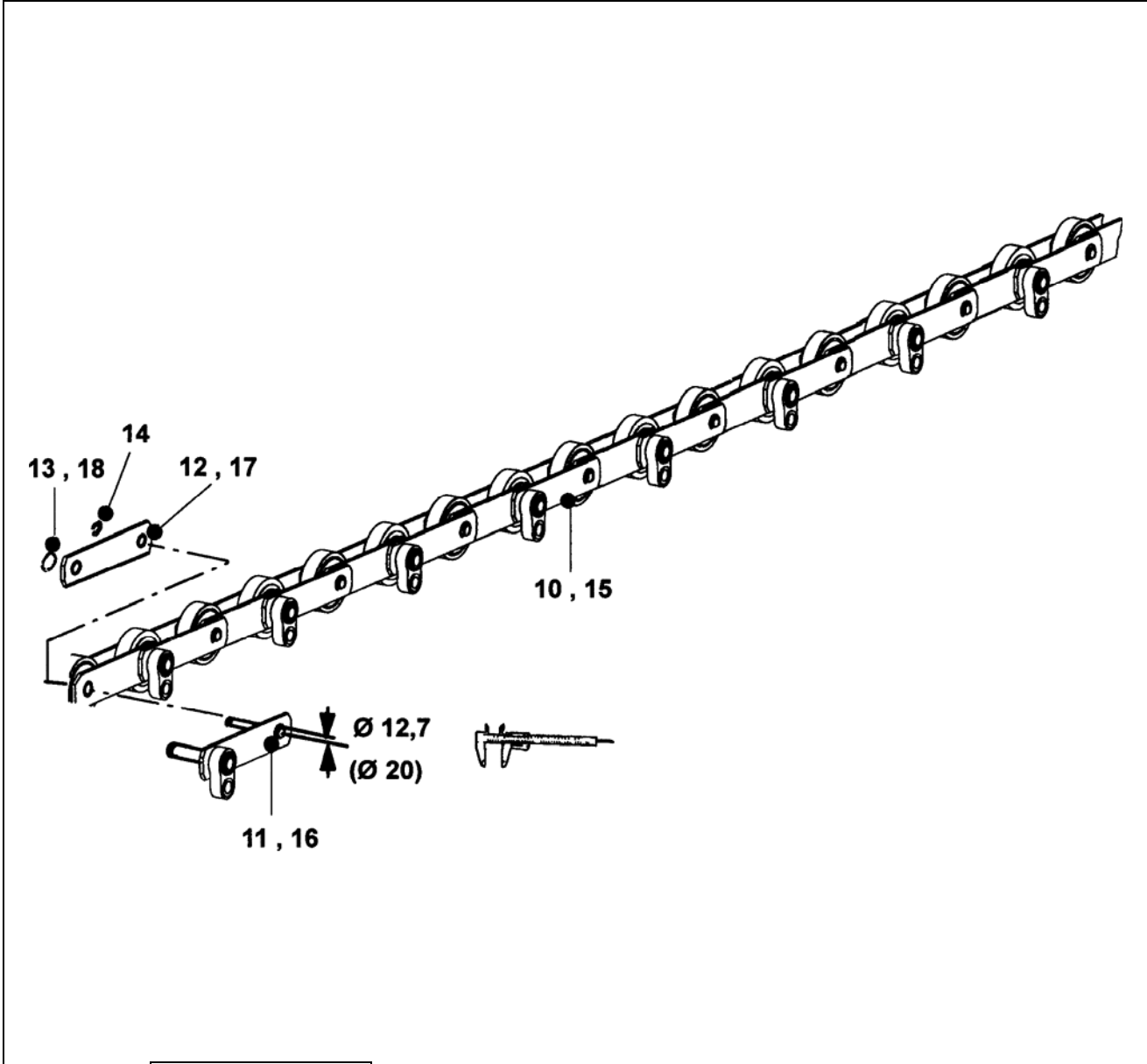
GAA26350F			
REF. No.	PART No.	DESCRIPTION	
1	GAA26350F11	Pallet Chain, Inner Link (1x)	
2	GAA26350F12	Pallet Chain, Outer Link (2x)	
3	GAA430DN1	Link (2x)	
4	---	Retaining Ring 20x1.2 DIN471 (147652) (2x)	
5	---	Retaining Washer 10 DIN6799 (25445) (2x)	
6	GAA26350F21	Pallet Chain, Inner Link (1x)	
7	GAA26350F22	Pallet Chain, Outer Link (2x)	
8	GAA430DF3	Link (2x)	
9	---	Retaining Ring 20x1.2 DIN471 (147652) (2x)	

**ORDER**

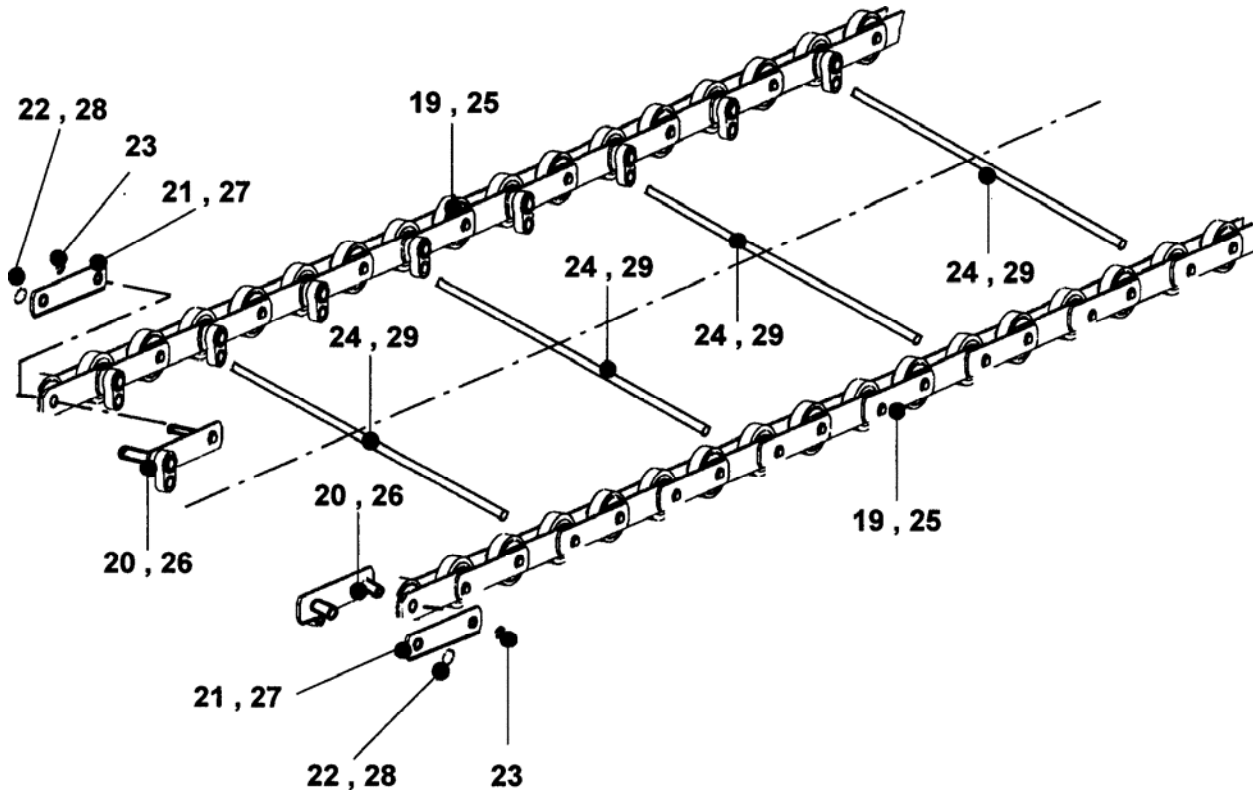

**PIN Ø 12,7**

**ORDER**


**PIN Ø 20**



REF. No.	PART No.	DESCRIPTION											
	GAA26350F												
10	GAA26350F115	Pallet Chain, 15-Fold Unit	<table border="1"> <tr><td colspan="2">ORDER</td></tr> <tr><td> </td><td> </td></tr> <tr><td> </td><td> </td></tr> <tr><td> </td><td> </td></tr> <tr><td> </td><td> </td></tr> </table> <p><b>PIN Ø 12,7</b></p>	ORDER									
ORDER													
11	GAA26350F12	Pallet Chain, Outer Link											
12	GAA430DN1	Link											
13	---	Retaining Ring 20x1.2 DIN471 (147652)											
14	---	Retaining Washer 10 DIN6799 (25445)											
15	GAA26350F215	Pallet Chain, 15-Fold Unit	<table border="1"> <tr><td colspan="2">ORDER</td></tr> <tr><td> </td><td> </td></tr> <tr><td> </td><td> </td></tr> <tr><td> </td><td> </td></tr> </table> <p><b>PIN Ø 20</b></p>	ORDER									
ORDER													
16	GAA26350F22	Pallet Chain, Outer Link											
17	GAA430DF3	Link											
18	---	Retaining Ring 20x1.2 DIN471 (147652)											



REF. No.	PART No.	DESCRIPTION																
	GAA26350F																	
19	GAA26350F115	Pallet Chain, 15-Fold Unit	<table border="1"> <tr><td colspan="3">ORDER</td></tr> <tr><td> </td><td> </td><td> </td></tr> <tr><td> </td><td> </td><td> </td></tr> <tr><td> </td><td> </td><td> </td></tr> <tr><td> </td><td> </td><td> </td></tr> </table> <p><b>PIN Ø 12,7</b></p>	ORDER														
ORDER																		
20	GAA26350F12	Pallet Chain, Outer Link																
21	GAA430DN1	Link																
22	---	Retaining Ring 20x1.2 DIN471 (147652)																
23	---	Retaining Washer 10 DIN6799 (25445)																
24	---	Axle, WZ-SW 644	<table border="1"> <tr><td colspan="3">ORDER</td></tr> <tr><td> </td><td> </td><td> </td></tr> <tr><td> </td><td> </td><td> </td></tr> <tr><td> </td><td> </td><td> </td></tr> <tr><td> </td><td> </td><td> </td></tr> </table> <p><b>PIN Ø 20</b></p>	ORDER														
ORDER																		
25	GAA26350F215	Pallet Chain, 15-Fold Unit																
26	GAA26350F22	Pallet Chain, Outer Link																
27	GAA430DF3	Link																
28	---	Retaining Ring 20x1.2 DIN471 (147652)																
29	---	Axle, WZ-SW 644																