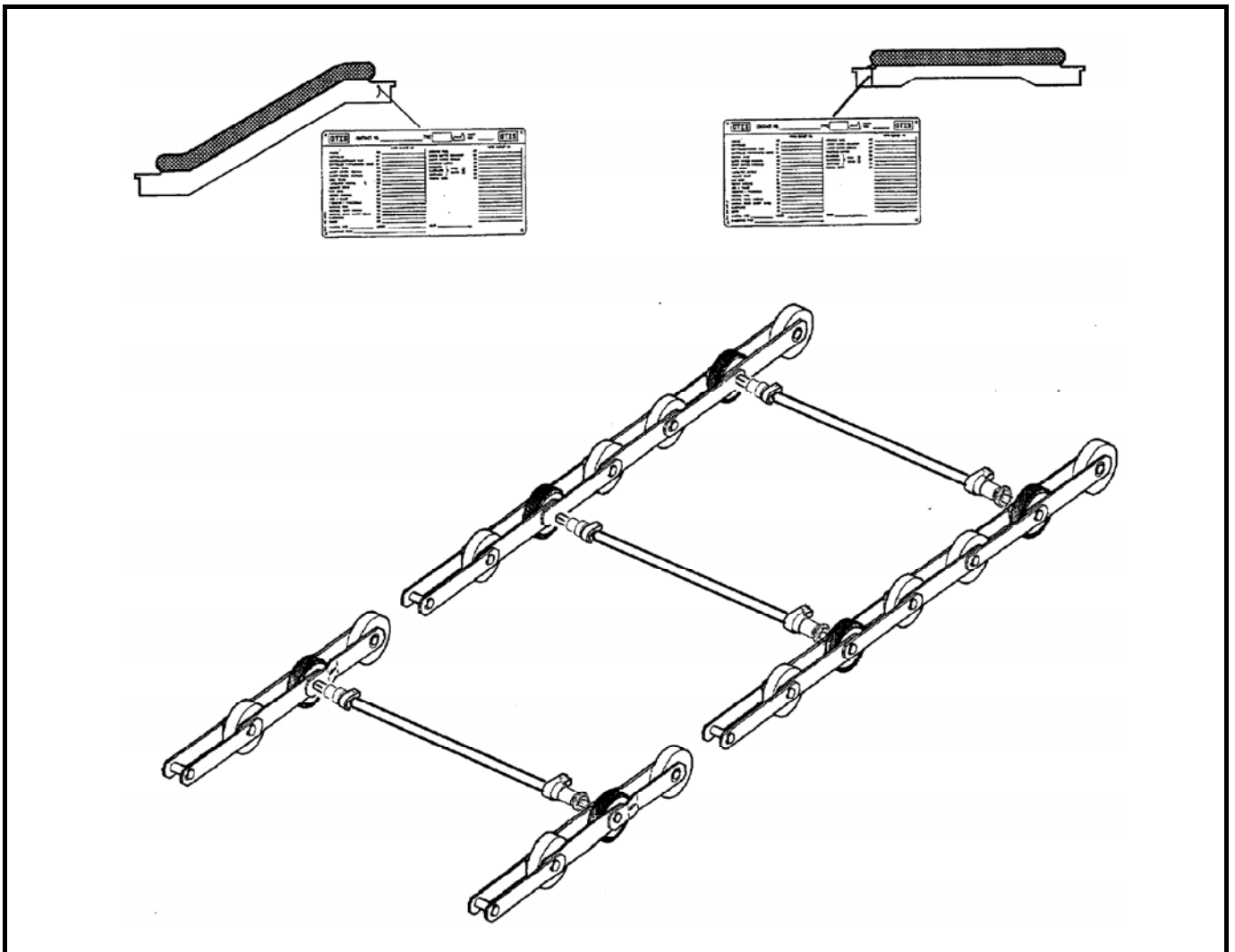


Parts Leaflet

510 ESCALATOR STEP CHAIN, 610 Trav-O-Lator PALLET CHAIN

*54	GO9704AK
54	G..26350Q/R/S
54	G..26150AC
54	G..26150AD
54	G..26150AE
54	G..26150AJ
54	G..26150AK
54	G..26150AL



OTIS

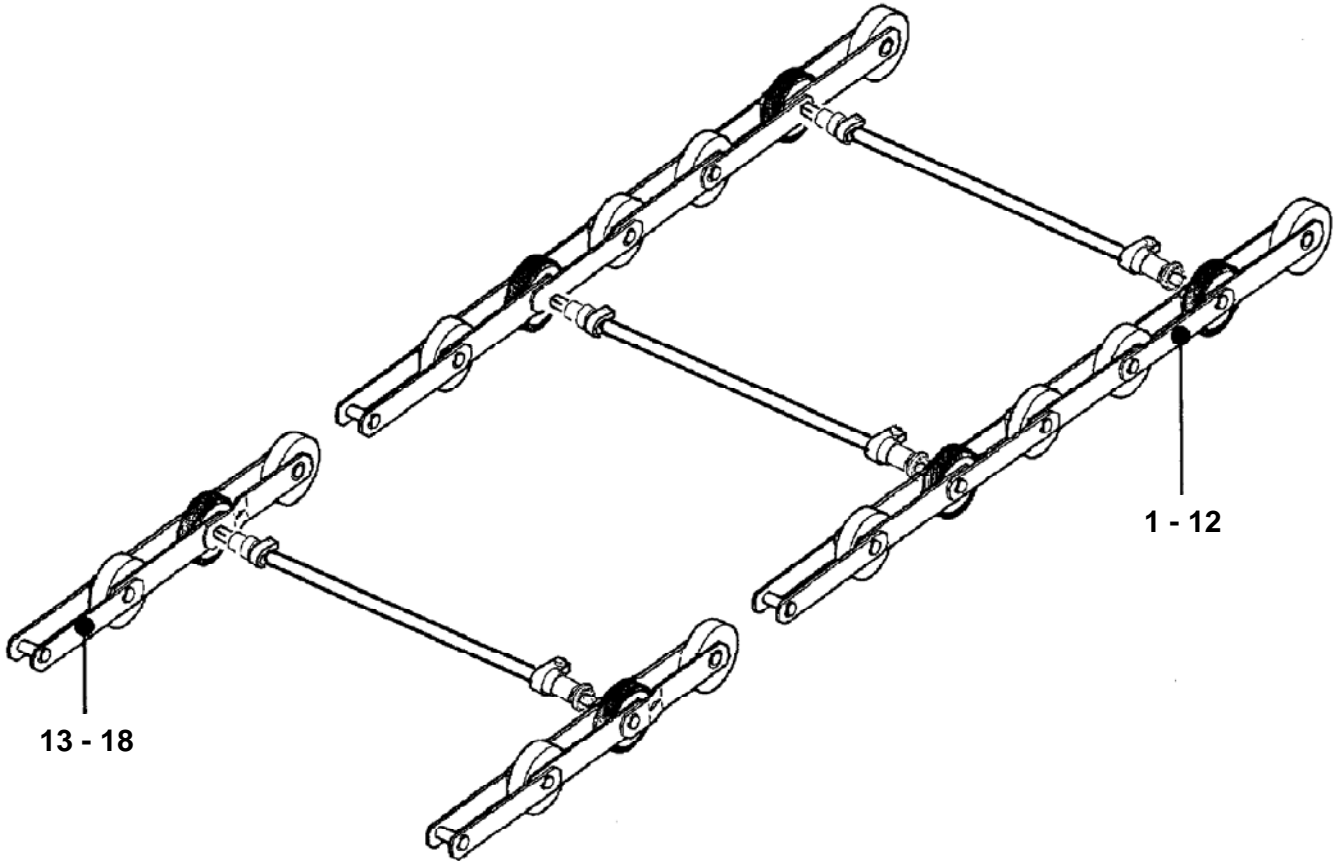
ESCALATOR STEP CHAIN 510
Trav-O-Lator PALLET CHAIN 610

54-GO9704AK

Nov. 2005

Page : 2/34

510 / OIL LUBRICATED - BOLT Ø 15mm



ESCALATOR STEP CHAIN 510

Trav-O-Lator PALLET CHAIN 610











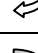
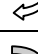
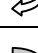





54-GO9704AK

Nov. 2005

Page : 3/34

510 / OIL LUBRICATED - BOLT Ø 15mm

VINTAGE G.01

REF. NO.	PART or ML	DESCRIPTION	
1	GO9704AK1 GBA26150AJ1 	2-FOLD UNIT 32" / 600	INDOOR
2	GO9704AK2 GBA26150AJ2 	2-FOLD UNIT 40" / 800	
3	GO9704AK4 GBA26150AJ3 	2-FOLD UNIT 48" / 1000	
4	GO9704AK9 GBA26150AJ4 	10-FOLD UNIT 32" / 600	
5	GO9704AK10 GBA26150AJ5 	10-FOLD UNIT 40" / 800	
6	GO9704AK12 GBA26150AJ6 	10-FOLD UNIT 48" / 1000	
7	GO9704AK5 GBA26150AJ10 	2-FOLD UNIT 32" / 600	OUTDOOR
8	GO9704AK6 GBA26150AJ11 	2-FOLD UNIT 40" / 800	
9	GO9704AK8 GBA26150AJ12 	2-FOLD UNIT 48" / 1000	
10	GO9704AK13 GBA26150AJ13 	10-FOLD UNIT 32" / 600	
11	GO9704AK14 GBA26150AJ14 	10-FOLD UNIT 40" / 800	
12	GO9704AK16 GBA26150AJ15 	10-FOLD UNIT 48" / 1000	
13	GO9704AK33 GBA26150AJ7 	OFFSET LINK 32" / 600	INDOOR
14	GO9704AK34 GBA26150AJ8 	OFFSET LINK 40" / 800	
15	GO9704AK36 GBA26150AJ9 	OFFSET LINK 48" / 1000	
16	GO9704AK37 GBA26150AJ16 	OFFSET LINK 32" / 600	OUTDOOR
17	GO9704AK38 GBA26150AJ17 	OFFSET LINK 40" / 800	
18	GO9704AK40 GBA26150AJ18 	OFFSET LINK 48" / 1000	

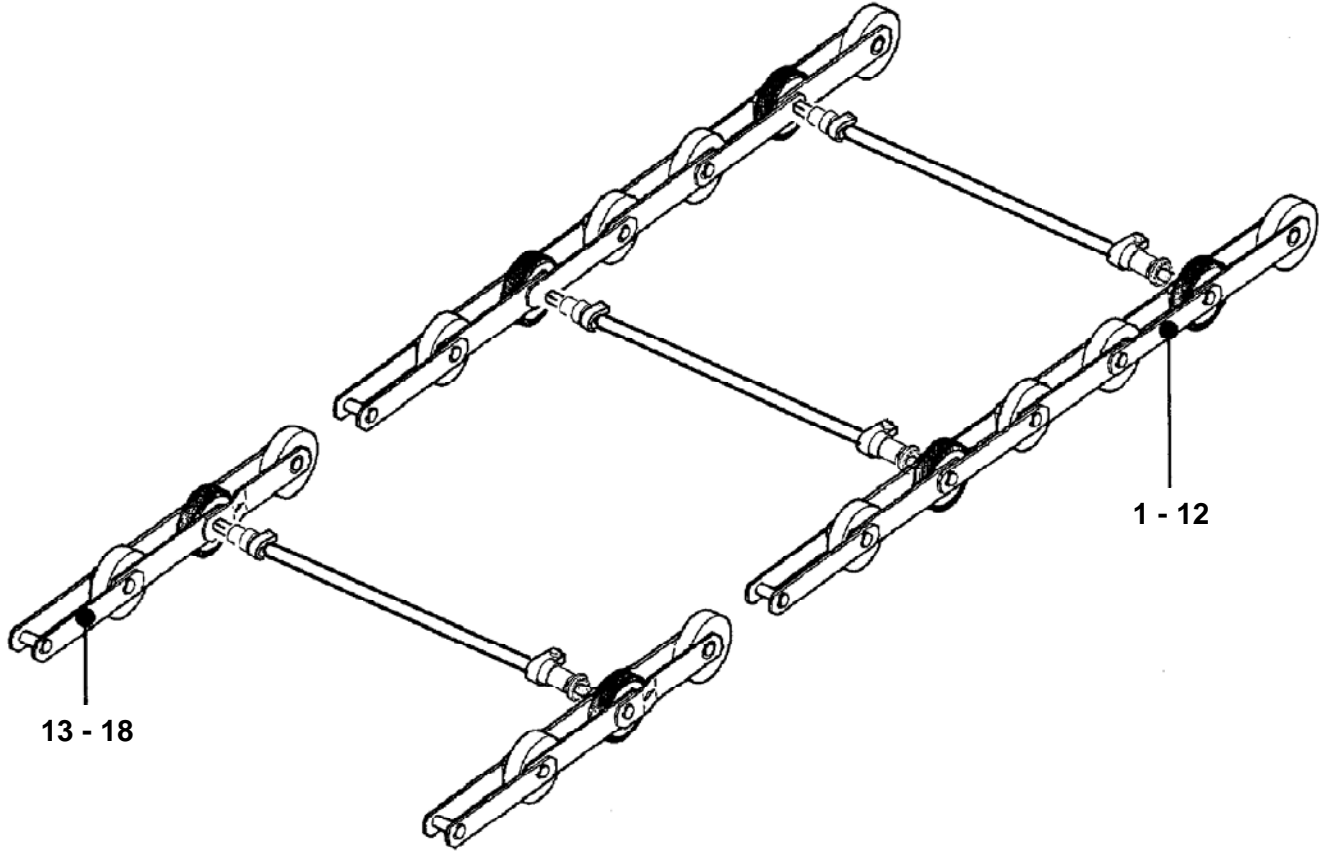
ESCALATOR STEP CHAIN 510
Trav-O-Lator PALLET CHAIN 610

54-GO9704AK

Nov. 2005

Page : 4/34

610 / OIL LUBRICATED - BOLT Ø 15mm



ESCALATOR STEP CHAIN 510


















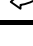
Trav-O-Lator PALLET CHAIN 610

54-GO9704AK

Nov. 2005

Page : 5/34

610 / OIL LUBRICATED - BOLT Ø 15mm

VINTAGE G.01			
REF. NO.	PART or ML	DESCRIPTION	
1	GO9704AK201 GBA26350Q1 	2-FOLD UNIT 32" / 600	INDOOR
2	GO9704AK202 GBA26350Q2 	2-FOLD UNIT 40" / 800	
3	GO9704AK204 GBA26350Q3 	2-FOLD UNIT 48" / 1000	
4	GO9704AK209 GBA26350Q4 	10-FOLD UNIT 32" / 600	
5	GO9704AK210 GBA26350Q5 	10-FOLD UNIT 40" / 800	
6	GO9704AK212 GBA26350Q6 	10-FOLD UNIT 48" / 1000	
7	GO9704AK205 GBA26350Q10 	2-FOLD UNIT 32" / 600	OUTDOOR
8	GO9704AK206 GBA26350Q11 	2-FOLD UNIT 40" / 800	
9	GO9704AK208 GBA26350Q12 	2-FOLD UNIT 48" / 1000	
10	GO9704AK213 GBA26350Q13 	10-FOLD UNIT 32" / 600	
11	GO9704AK214 GBA26350Q14 	10-FOLD UNIT 40" / 800	
12	GO9704AK216 GBA26350Q15 	10-FOLD UNIT 48" / 1000	
13	GO9704AK233 GBA26350Q7 	OFFSET LINK 32" / 600	INDOOR
14	GO9704AK234 GBA26350Q8 	OFFSET LINK 40" / 800	
15	GO9704AK236 GBA26350Q9 	OFFSET LINK 48" / 1000	
16	GO9704AK237 GBA26350Q16 	OFFSET LINK 32" / 600	OUTDOOR
17	GO9704AK238 GBA26350Q17 	OFFSET LINK 40" / 800	
18	GO9704AK240 GBA26350Q18 	OFFSET LINK 48" / 1000	

**ESCALATOR STEP CHAIN 510
Trav-O-Lator PALLET CHAIN 610**

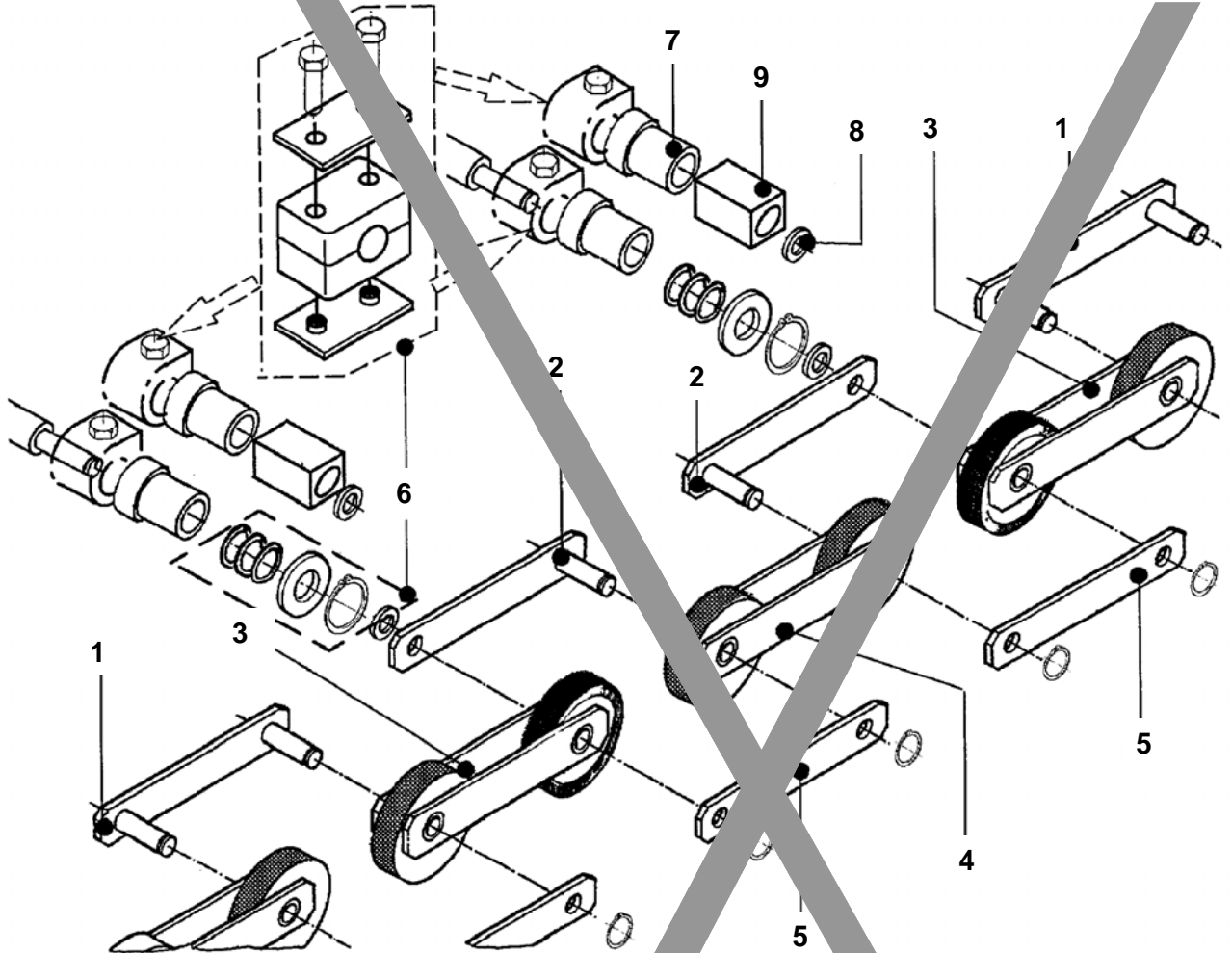
54-GO9704AK



Nov. 2005

Page : 6/34

 Pages 2&4

510 / 610 / OIL LUBRICATED - BOLT Ø 15mm



VINTAGE G.01			
REF. NO.	PART or ML	DESCRIPTION	
1	GO9704BH1	OUTER LINK WITH PINS & RETAINING RING	510 / 610
2	GO9704BH2	OUTER LINK WITH PIN & RETAINING RING	
3	GO9704BG1 GOA9704BG1 	INNER LINK WITH ROLLERS	
4	GO9704BF1	INNER LINK WITH ROLLERS	
5	GO430DF1	OUTER LINK	
6	GO2215B69	HARDWARE	
7	GO210P1 GO210AG1 	BUSHING	610
8	GO462CH1	WASHER	
9	GO210R1	BUSHING	

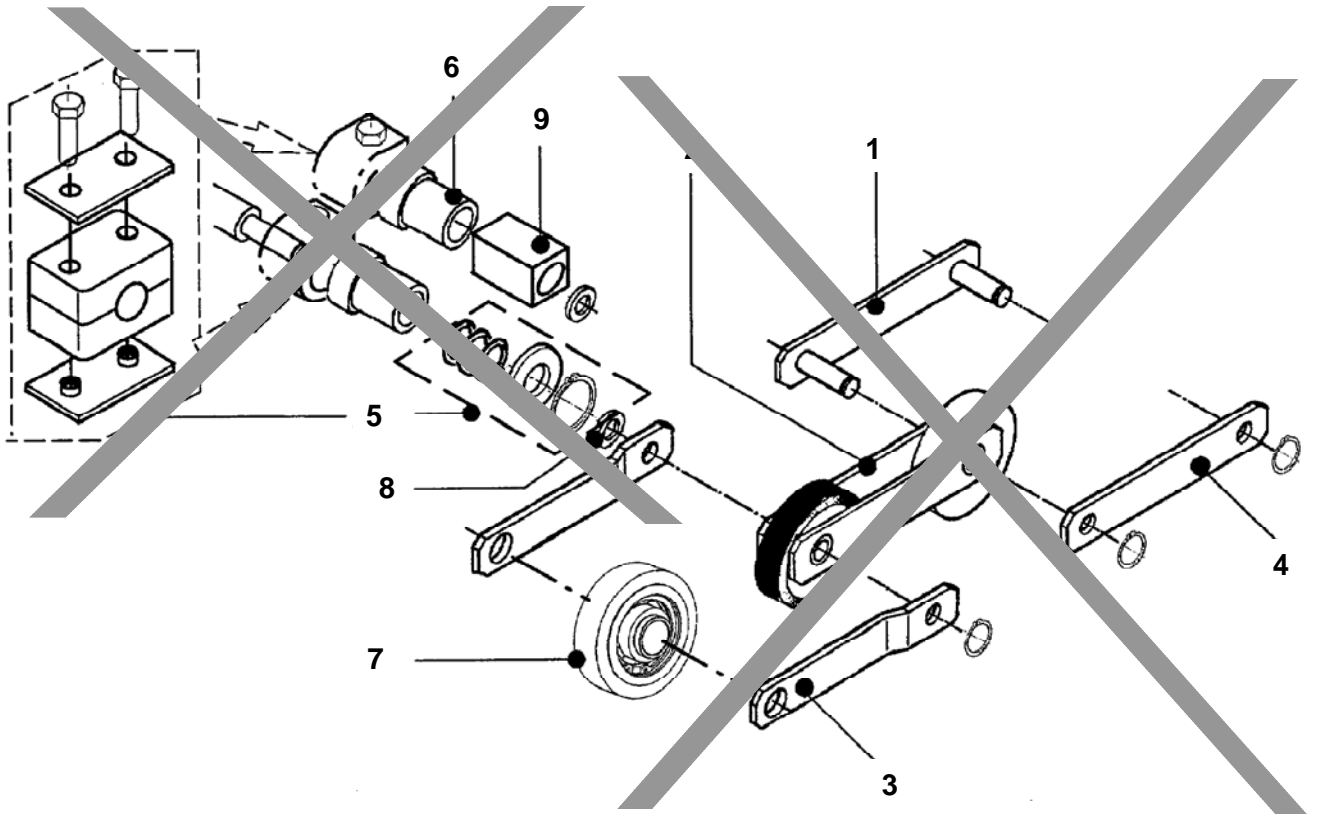
**ESCALATOR STEP CHAIN 510
Trav-O-Lator PALLET CHAIN 610**

54-GO9704AK










Nov. 2005

Page : 7/34

510 / 610 / OIL LUBRICATED - BOLT Ø 15mm



VINTAGE G.01

REF. NO.	PART or ML	DESCRIPTION
4	GO9704BH4	OUTER LINK WITH PINS & RETAINING RINGS  Pages 2&4
2	GO9704BG4 GOA9704BG4 ↻	INNER LINK WITH ROLLERS  Pages 2&4
3	GO430DF7	CONNECTING LINK  Pages 2&4
4	GO430DF4	OUTER LINK  Pages 2&4
5	GO2215B60	HARDWARE  Pages 2&4
6	GO210R4 GO210AG4 ↻	BUSHING  Pages 2&4
7	GO290AJ8	ROLLER  G..9704AK
8	GO462CH4	WASHER  Pages 2&4
9	GO210R4	BUSHING  Pages 2&4

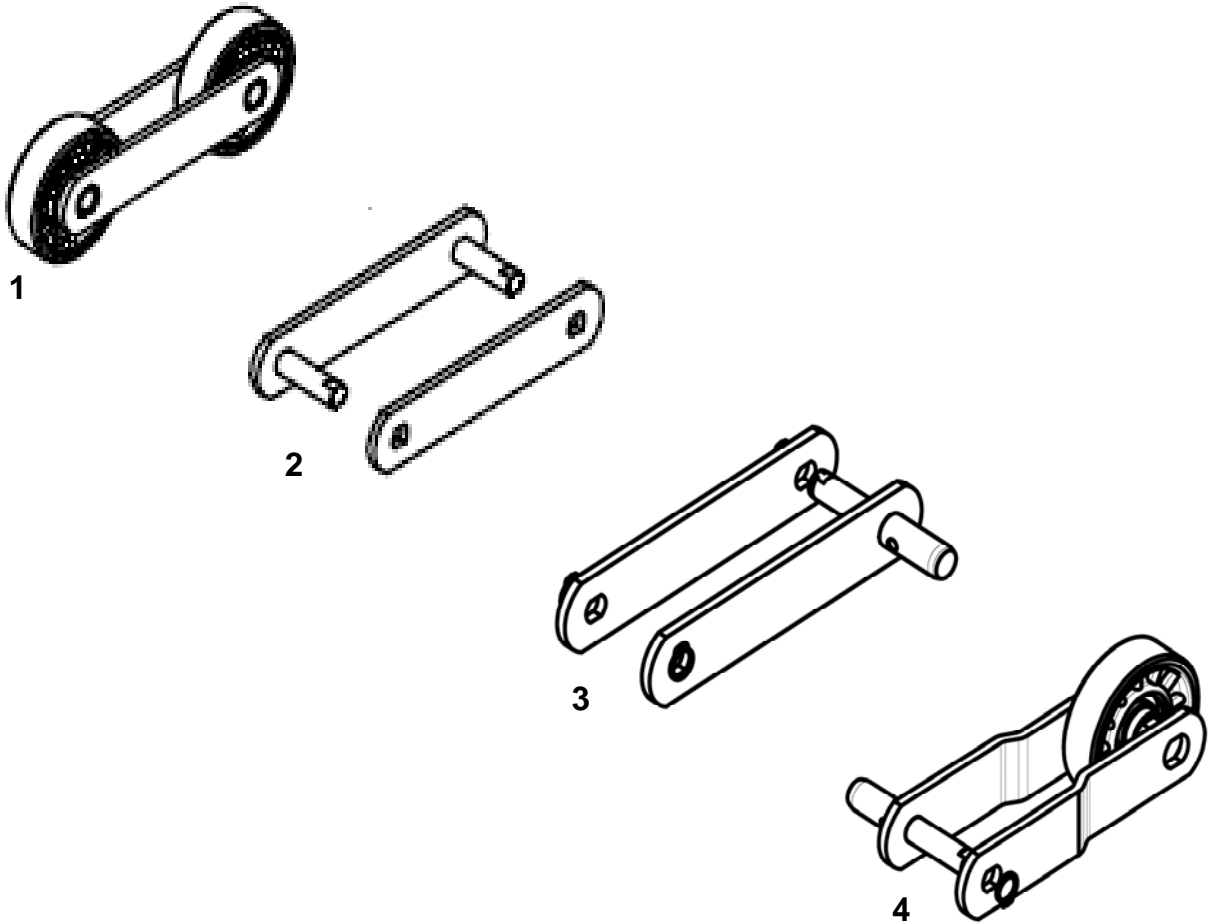
ESCALATOR STEP CHAIN 510
Trav-O-Lator PALLET CHAIN 610

54-GO9704AK

Nov. 2005

Page : 8/34

510 / 610 / OIL LUBRICATED - BOLT Ø 15mm



W → G..26150AJ/G..26350Q

VINTAGE G.01		
REF. NO.	PART or ML	DESCRIPTION
1	GBA26150AC19	INNER LINK COMPLETE
2	GBA26150AC20	OUTER LINK COMPLETE
3	GBA26150AC21	OUTER LINK AXLE
4	GBA26150AC22	OFF SET LINK

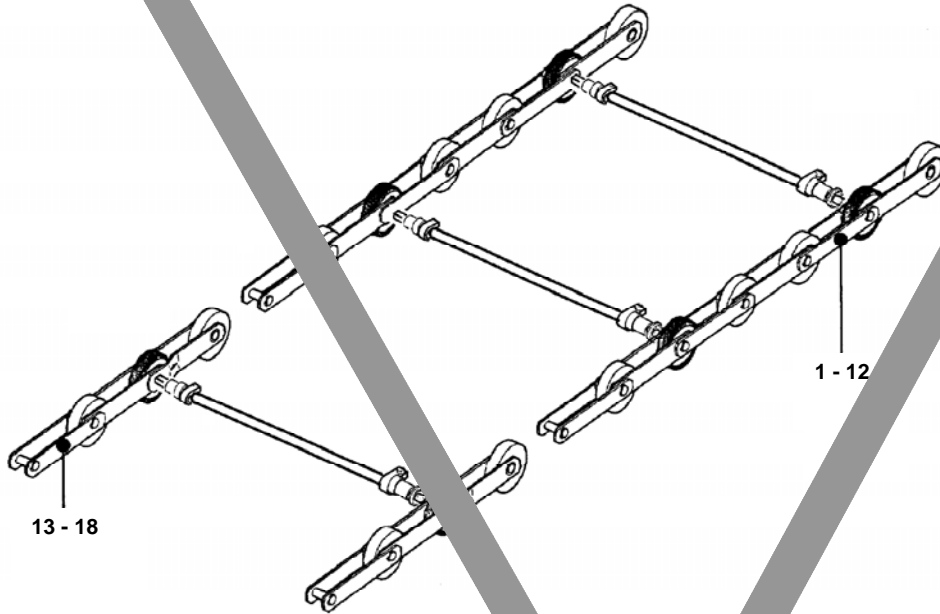
ESCALATOR STEP CHAIN 510
Trav-O-Lator PALLET CHAIN 610

54-GO9704AK

Nov. 2005

Page : 9/34

510 / GREASE LUBRICATED - BOLT Ø 15mm

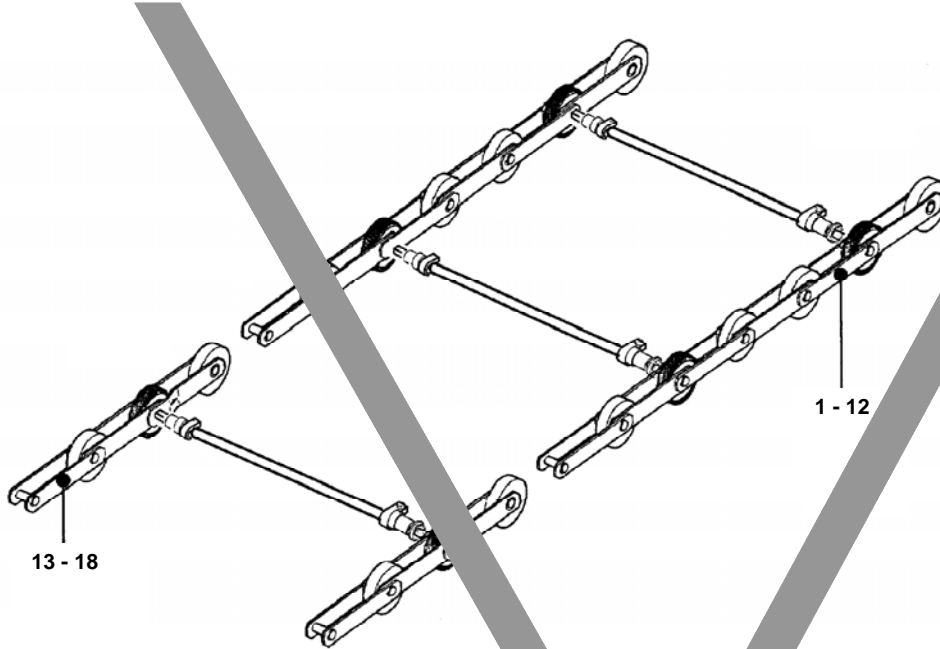


VINTAGE G.01		
REF. NO.	PART or ML	DESCRIPTION
1	GO9704AK17	2-FOLD UNIT 32" / 600
2	GO9704AK18	2-FOLD UNIT 40" / 800
3	GO9704AK20	2-FOLD UNIT 48" / 1000
4	GO9704AK25	10-FOLD UNIT 32" / 600
5	GO9704AK26	10-FOLD UNIT 40" / 800
6	GO9704AK28	10-FOLD UNIT 48" / 1000
7	GO9704AK21	2-FOLD UNIT 32" / 600
8	GO9704AK22	2-FOLD UNIT 40" / 800
9	GO9704AK24	2-FOLD UNIT 48" / 1000
10	GO9704AK29	10-FOLD UNIT 32" / 600
11	GO9704AK30	10-FOLD UNIT 40" / 800
12	GO9704AK32	10-FOLD UNIT 48" / 1000
13	GO9704AK41	OFFSET LINK 32" / 600
14	GO9704AK42	OFFSET LINK 40" / 800
15	GO9704AK44	OFFSET LINK 48" / 1000
16	GO9704AK45	OFFSET LINK 32" / 600
17	GO9704AK46	OFFSET LINK 40" / 800
18	GO9704AK48	OFFSET LINK 48" / 1000

ESCALATOR STEP CHAIN 510
Trav-O-Lator PALLET CHAIN 610

54-GO9704AK
 Nov. 2005 Page : 10/34

610 / GREASE LUBRICATED - BOLT Ø 15mm



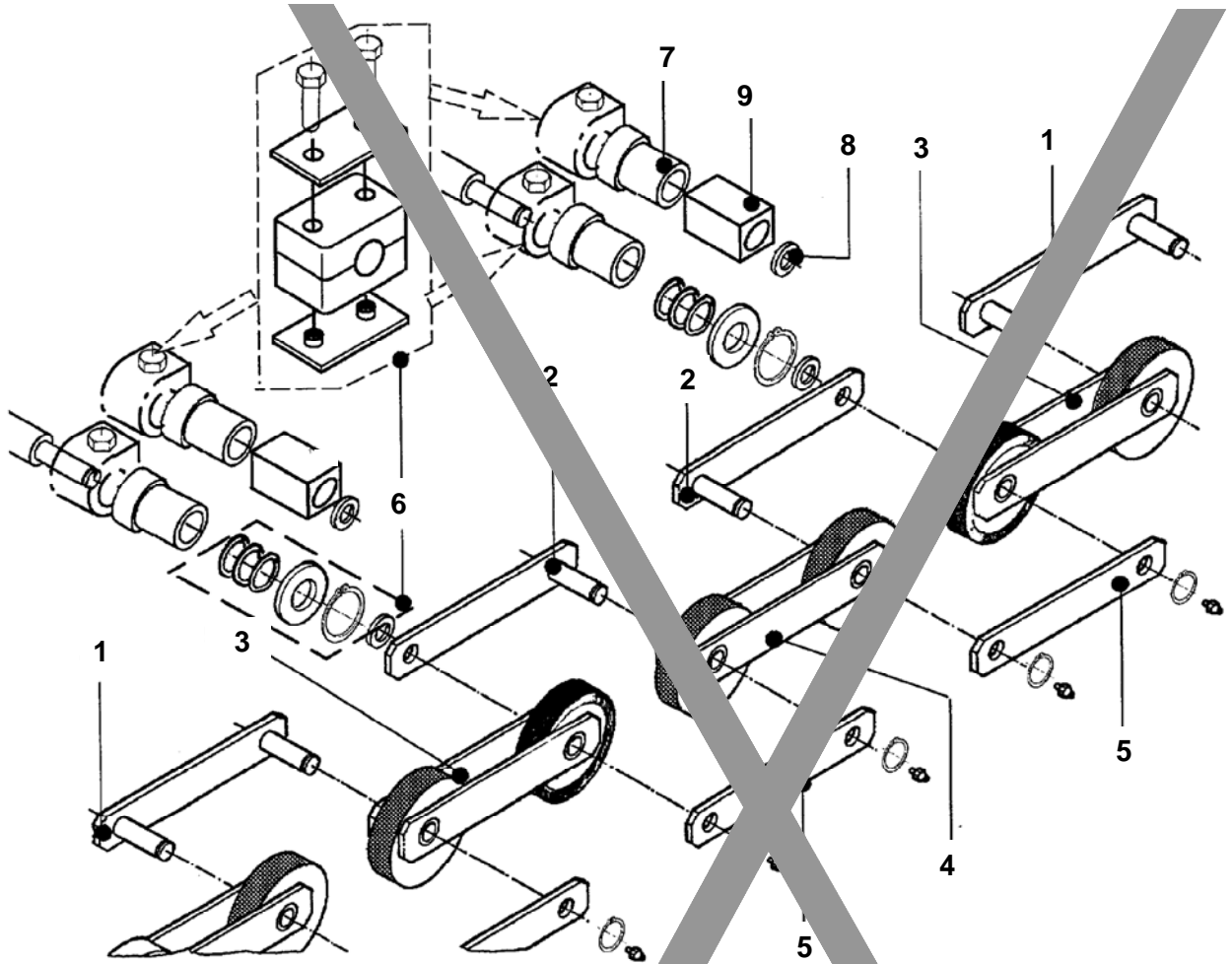
VINTAGE G.01		
REF. NO.	PART or ML	DESCRIPTION
1	GO9704AK217	2-FOLD UNIT 32" / 600
2	GO9704AK218	2-FOLD UNIT 40" / 800
3	GO9704AK220	2-FOLD UNIT 48" / 1000
4	GO9704AK225	10-FOLD UNIT 32" / 600
5	GO9704AK226	10-FOLD UNIT 40" / 800
6	GO9704AK228	10-FOLD UNIT 48" / 1000
7	GO9704AK221	2-FOLD UNIT 32" / 600
8	GO9704AK222	2-FOLD UNIT 40" / 800
9	GO9704AK224	2-FOLD UNIT 48" / 1000
10	GO9704AK229	10-FOLD UNIT 32" / 600
11	GO9704AK230	10-FOLD UNIT 40" / 800
12	GO9704AK232	10-FOLD UNIT 48" / 1000
13	GO9704AK241	OFFSET LINK 32" / 600
14	GO9704AK242	OFFSET LINK 40" / 800
15	GO9704AK244	OFFSET LINK 48" / 1000
16	GO9704AK245	OFFSET LINK 32" / 600
17	GO9704AK246	OFFSET LINK 40" / 800
18	GO9704AK248	OFFSET LINK 48" / 1000

**ESCALATOR STEP CHAIN 510
Trav-O-Lator PALLET CHAIN 610**

54-GO9704AK

Nov. 2005 Page : 11/34

510 / 610 / GREASE LUBRICATED - BOLT Ø 15mm



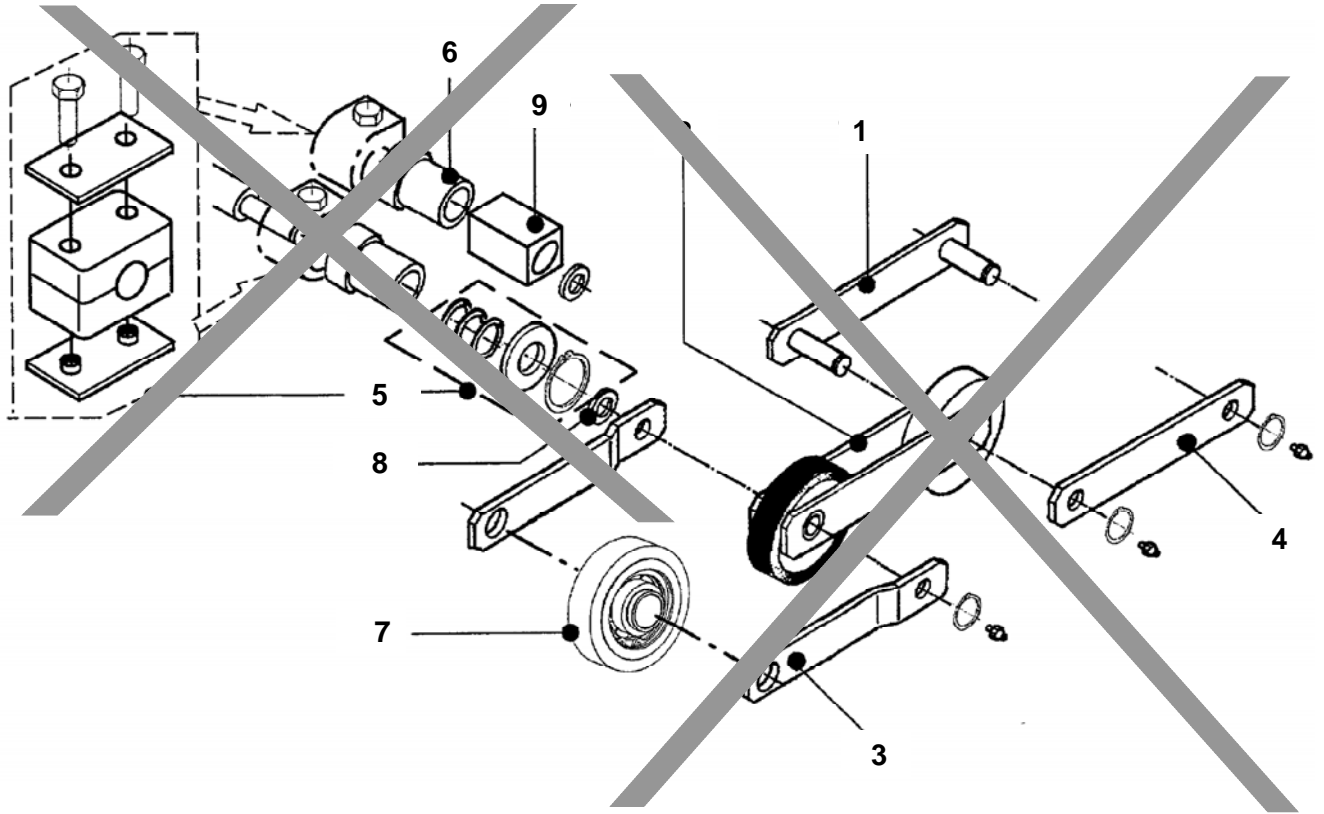
VINTAGE G.01		DESCRIPTION	
REF. NO.	PART or ML		
1	GO9704BH3	OUTER LINK WITH PINS & RETAINING RINGS	0 / 610
2	GO9704BH4	OUTER LINK WITH PIN & RETAINING RING	
3	GO9704BG1 GOA9704BG1 ↻	INNER LINK WITH ROLLERS	
4	GO9704BF1	INNER LINK WITH ROLLERS	
5	GO430DF1	INNER LINK	
6	GO2215B69	HARDWARE	
7	GO210P1 GO210AG1 ↻	BUSHING	
8	GO462CH1	WASHER	
9	GO210R1	BUSHING	

**ESCALATOR STEP CHAIN 510
Trav-O-Lator PALLET CHAIN 610**

54-GO9704AK

Nov. 2005 Page : 12/34

510 / 610 / GREASE LUBRICATED - BOLT Ø 15mm



VINTAGE G.01		DESCRIPTION	
REF. NO.	PART or ML	DESCRIPTION	
4	GO9704BH3	OUTER LINK WITH PINS & RETAINING RINGS	510 / 610
2	GO9704BG4 GOA9704BG4 ↻	INNER LINK WITH ROLLERS	
3	GO430DF7	CONNECTING LINK	
4	GO430DF4	OUTER LINK	
5	GO2245B60	HARDWARE	
6	GO240P4 GO240AG4 ↻	BUSHING	
7	GO290AJ8	ROLLER G..9704AK	
8	GO462CH4	WASHER	
9	GO240R4	BUSHING	

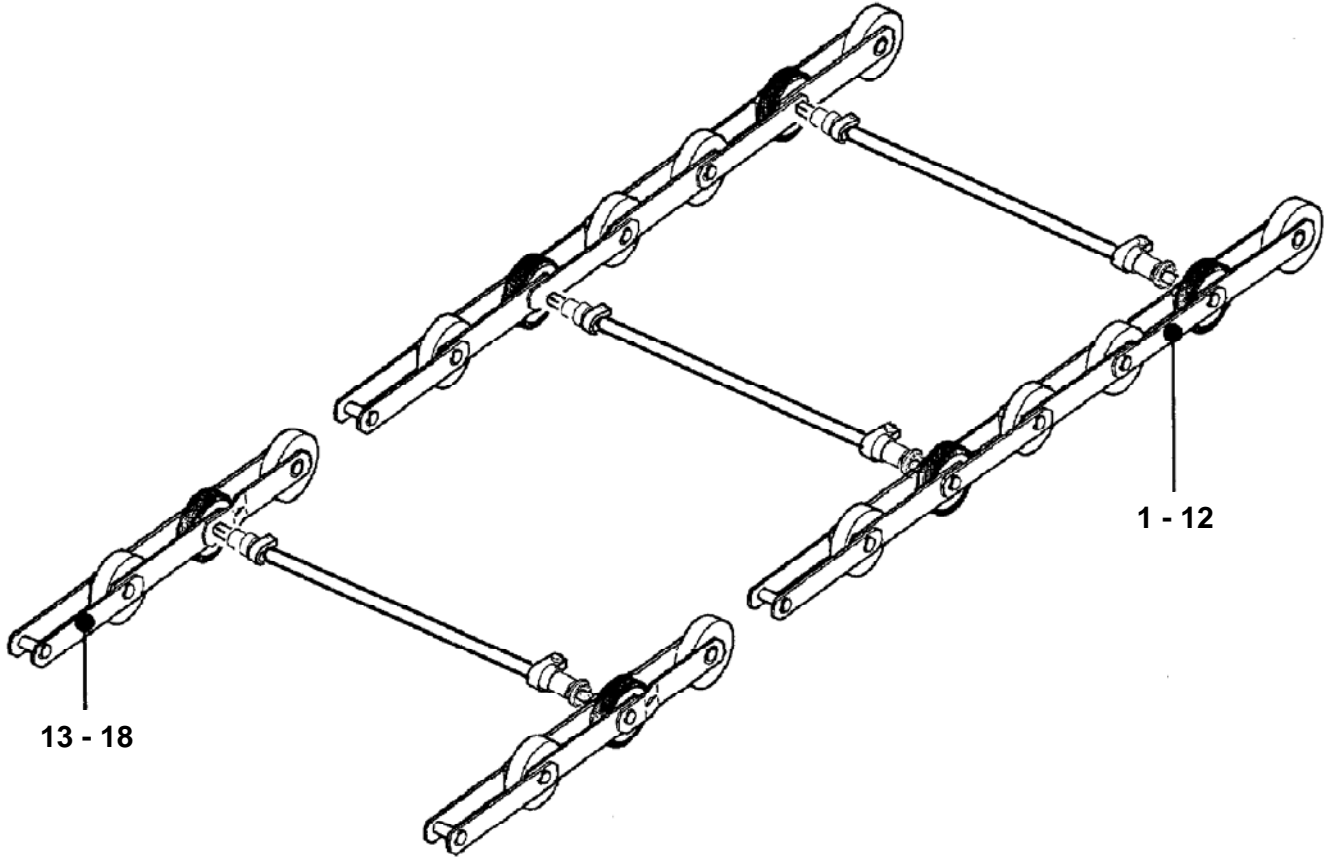
ESCALATOR STEP CHAIN 510
Trav-O-Lator PALLET CHAIN 610

54-GO9704AK

Nov. 2005

Page : 13/34

510 / OIL LUBRICATED - BOLT Ø 20mm



ESCALATOR STEP CHAIN 510

Trav-O-Lator PALLET CHAIN 610

54-GO9704AK

Nov. 2005

Page : 14/34

510 / OIL LUBRICATED - BOLT Ø 20mm

VINTAGE G.01

REF. NO.	PART or ML	DESCRIPTION	
1	GO9704AK49 GBA26150AK1	2-FOLD UNIT 32" / 600	INDOOR
2	GO9704AK50 GBA26150AK2	2-FOLD UNIT 40" / 800	
3	GO9704AK52 GBA26150AK3	2-FOLD UNIT 48" / 1000	
4	GO9704AK57 GBA26150AK4	10-FOLD UNIT 32" / 600	
5	GO9704AK58 GBA26150AK5	10-FOLD UNIT 40" / 800	
6	GO9704AK60 GBA26150AK6	10-FOLD UNIT 48" / 1000	
7	GO9704AK53 GBA26150AK10	2-FOLD UNIT 32" / 600	OUTDOOR
8	GO9704AK54 GBA26150AK11	2-FOLD UNIT 40" / 800	
9	GO9704AK56 GBA26150AK12	2-FOLD UNIT 48" / 1000	
10	GO9704AK61 GBA26150AK13	10-FOLD UNIT 32" / 600	
11	GO9704AK62 GBA26150AK14	10-FOLD UNIT 40" / 800	
12	GO9704AK64 GBA26150AK15	10-FOLD UNIT 48" / 1000	
25	GO9704AK81 GBA26150AK7	OFFSET LINK 32" / 600	INDOOR
26	GO9704AK82 GBA26150AK8	OFFSET LINK 40" / 800	
27	GO9704AK84 GBA26150AK9	OFFSET LINK 48" / 1000	
28	GO9704AK85 GBA26150AK16	OFFSET LINK 32" / 600	OUTDOOR
29	GO9704AK86 GBA26150AK17	OFFSET LINK 40" / 800	
30	GO9704AK88 GBA26150AK18	OFFSET LINK 48" / 1000	

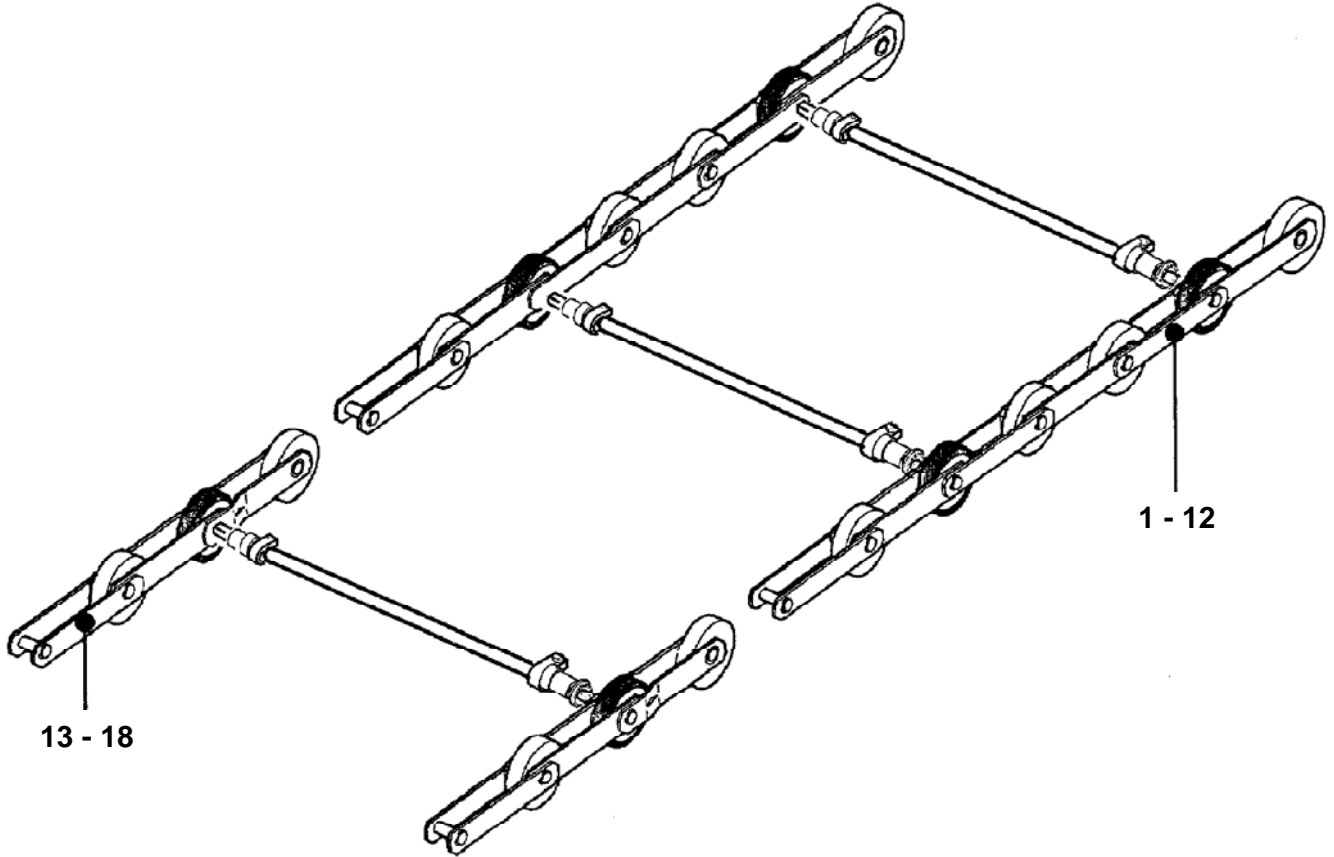
ESCALATOR STEP CHAIN 510
Trav-O-Lator PALLET CHAIN 610

54-GO9704AK

Nov. 2005

Page : 15/34

610 / OIL LUBRICATED - BOLT Ø 20mm



ESCALATOR STEP CHAIN 510









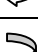
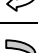
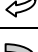







Trav-O-Lator PALLET CHAIN 610

54-GO9704AK

Nov. 2005

Page : 16/34

610 / OIL LUBRICATED - BOLT Ø 20mm

VINTAGE G.01			
REF. NO.	PART or ML	DESCRIPTION	
13	GO9704AK249 GBA26350R1		2-FOLD UNIT 32" / 600
14	GO9704AK250 GBA26350R2		2-FOLD UNIT 40" / 800
15	GO9704AK252 GBA26350R3		2-FOLD UNIT 48" / 1000
16	GO9704AK257 GBA26350R4		10-FOLD UNIT 32" / 600
17	GO9704AK258 GBA26350R5		10-FOLD UNIT 40" / 800
18	GO9704AK260 GBA26350R6		10-FOLD UNIT 48" / 1000
19	GO9704AK253 GBA26350R10		2-FOLD UNIT 32" / 600
20	GO9704AK254 GBA26350R11		2-FOLD UNIT 40" / 800
21	GO9704AK256 GBA26350R12		2-FOLD UNIT 48" / 1000
22	GO9704AK261 GBA26350R13		10-FOLD UNIT 32" / 600
23	GO9704AK262 GBA26350R14		10-FOLD UNIT 40" / 800
24	GO9704AK264 GBA26350R15		10-FOLD UNIT 48" / 1000
31	GO9704AK281 GBA26350R7		OFFSET LINK 32" / 600
32	GO9704AK282 GBA26350R8		OFFSET LINK 40" / 800
33	GO9704AK284 GBA26350R9		OFFSET LINK 48" / 1000
34	GO9704AK285 GBA26350R16		OFFSET LINK 32" / 600
35	GO9704AK286 GBA26350R17		OFFSET LINK 40" / 800
36	GO9704AK288 GBA26350R18		OFFSET LINK 48" / 1000

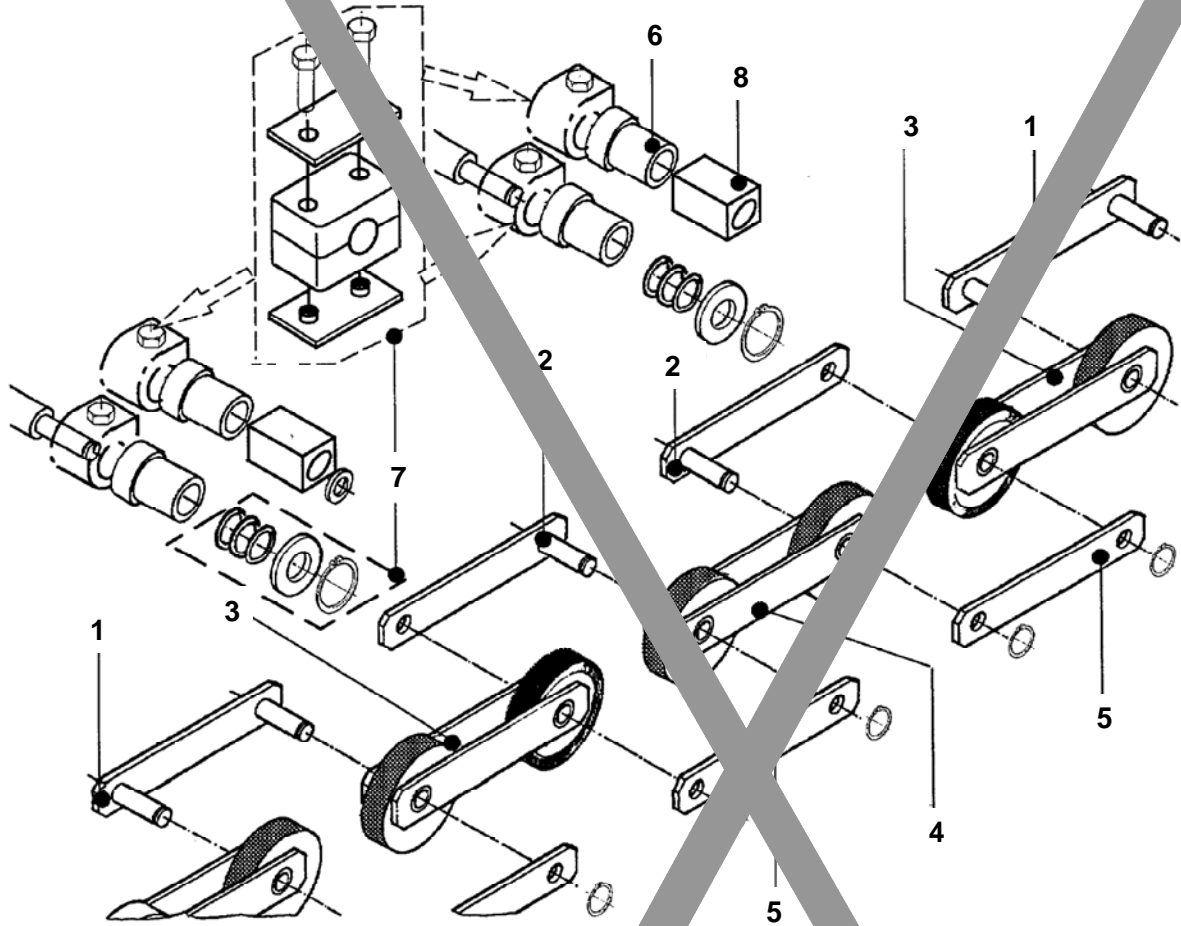
ESCALATOR STEP CHAIN 510
Trav-O-Lator PALLET CHAIN 610



54-GO9704AK

Nov. 2005 Page : 17/34

 Page 13&15

510 / 610 / OIL LUBRICATED - BOLT Ø 20mm



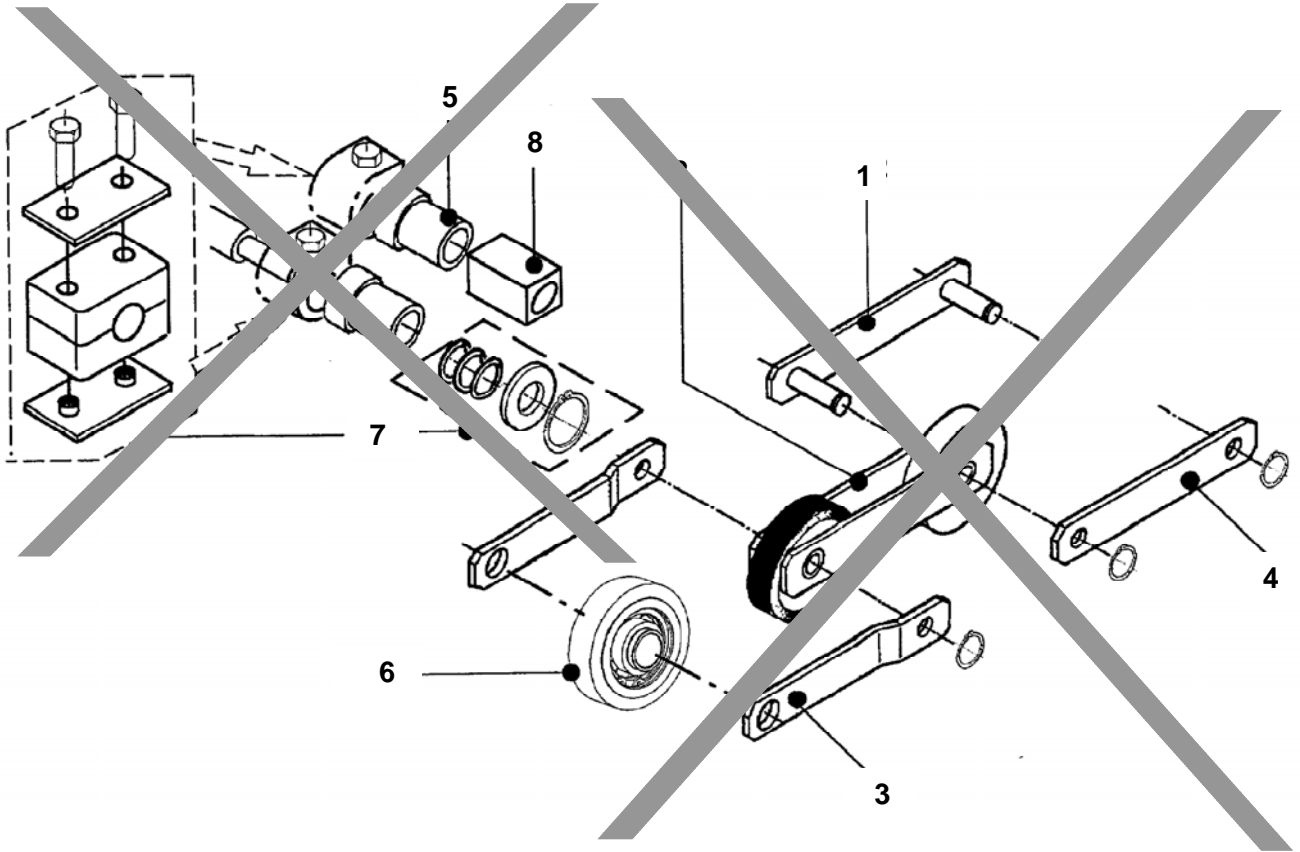
VINTAGE G.01			
REF. NO.	PART or ML	DESCRIPTION	
1	GO9704BH5	OUTER LINK WITH PINS & RETAINING RINGS	
2	GO9704BH6	OUTER LINK WITH PIN & RETAINING RING	
3	GO9704BG2 GOA9704BG2 	INNER LINK WITH ROLLERS	
4	GO9704BF2	INNER LINK WITH ROLLERS	510 / 610
5	GO430DF3	OUTER LINK	
6	GO210P1 GO210AG1 	BUSHING	
7	GO2215B69	HARDWARE	
8	GO210R1	BUSHING	610

**ESCALATOR STEP CHAIN 510
Trav-O-Lator PALLET CHAIN 610**

54-GO9704AK

Nov. 2005 Page : 18/34

510 / 610 / OIL LUBRICATED - BOLT Ø 20mm



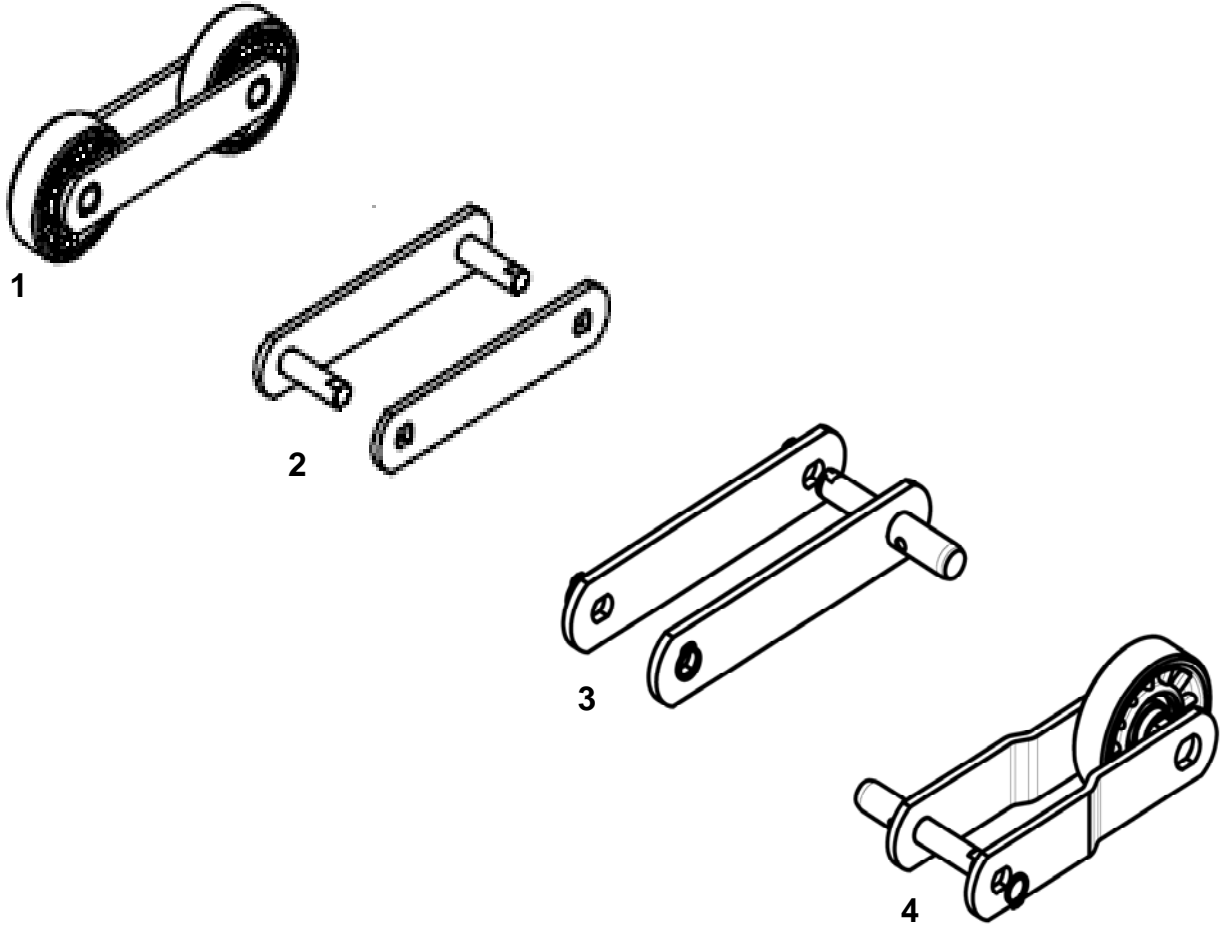
VINTAGE G.01		
REF. NO.	PART or ML	DESCRIPTION
4	GO9704BH5	OUTER LINK WITH PINS & RETAINING RINGS Pages 13&15
2	GO9704BG2 GOA9704BG2 ↻	INNER LINK WITH ROLLERS Pages 13&15
3	GO430DF8	CONNECTING LINK Pages 13&15
4	GO430DF3	OUTER LINK Pages 13&15
5	GO210P1 GO210AG4 ↻	BUSHING Pages 13&15
6	GO290AJ3	ROLLER G..9704AK
7	GO2245B60	HARDWARE Pages 13&15
8	GO210R1	BUSHING Pages 13&15

**ESCALATOR STEP CHAIN 510
Trav-O-Lator PALLET CHAIN 610**

54-GO9704AK

Nov. 2005 Page : 19/34

510 / 610 / OIL LUBRICATED - BOLT Ø 20mm



W → G..26150AK/G..26350R

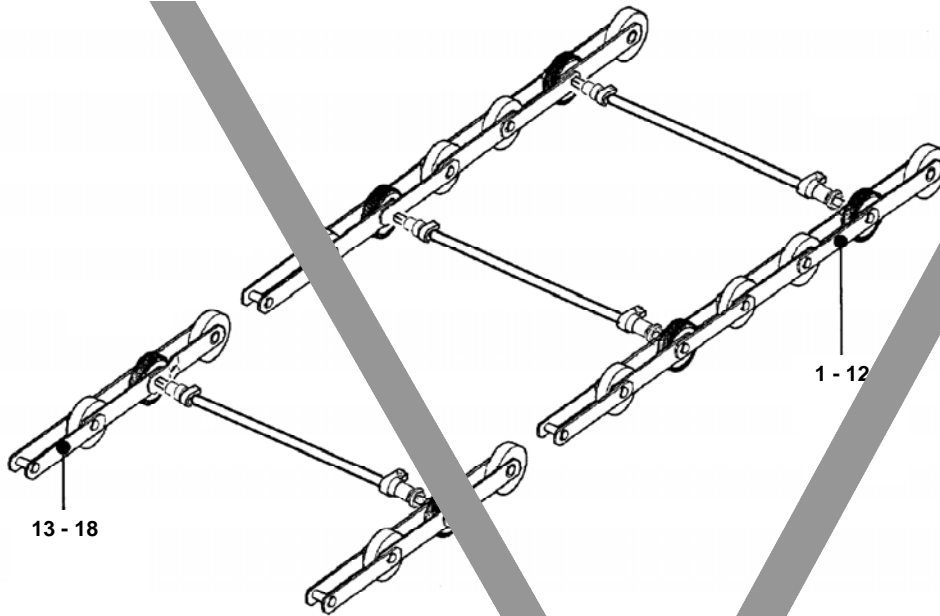
VINTAGE G.01		
REF. NO.	PART or ML	DESCRIPTION
1	GBA26150AD19	INNER LINK COMPLETE
2	GBA26150AD20	OUTER LINK COMPLETE
3	GBA26150AD21	OUTER LINK AXLE
4	GBA26150AD23	OFF SET LINK

ESCALATOR STEP CHAIN 510
Trav-O-Lator PALLET CHAIN 610

54-GO9704AK

Nov. 2005 Page : 20/34

510 / GREASE LUBRICATED - BOLT Ø 20mm

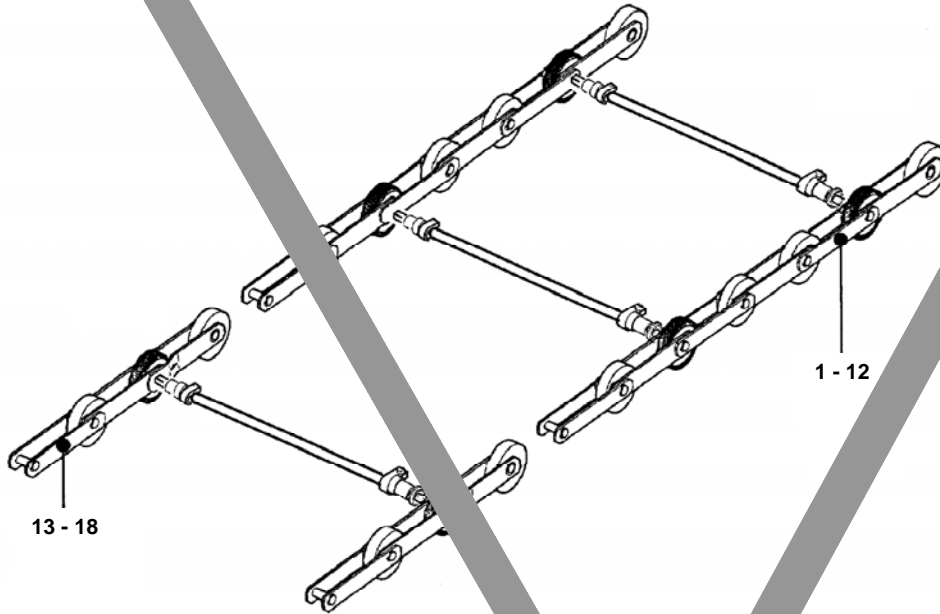


VINTAGE G.01		
REF. NO.	PART or ML	DESCRIPTION
1	GO9704AK65	2-FOLD UNIT 32" / 600
2	GO9704AK66	2-FOLD UNIT 40" / 800
3	GO9704AK68	2-FOLD UNIT 48" / 1000
4	GO9704AK73	10-FOLD UNIT 32" / 600
5	GO9704AK74	10-FOLD UNIT 40" / 800
6	GO9704AK76	10-FOLD UNIT 48" / 1000
7	GO9704AK69	2-FOLD UNIT 32" / 600
8	GO9704AK70	2-FOLD UNIT 40" / 800
9	GO9704AK72	2-FOLD UNIT 48" / 1000
10	GO9704AK77	10-FOLD UNIT 32" / 600
11	GO9704AK78	10-FOLD UNIT 40" / 800
12	GO9704AK80	10-FOLD UNIT 48" / 1000
13	GO9704AK89	OFFSET LINK 32" / 600
14	GO9704AK90	OFFSET LINK 40" / 800
15	GO9704AK92	OFFSET LINK 48" / 1000
16	GO9704AK93	OFFSET LINK 32" / 600
17	GO9704AK94	OFFSET LINK 40" / 800
18	GO9704AK96	OFFSET LINK 48" / 1000

ESCALATOR STEP CHAIN 510
Trav-O-Lator PALLET CHAIN 610

54-GO9704AK
 Nov. 2005 Page : 21/34

610 / GREASE LUBRICATED - BOLT Ø 20mm



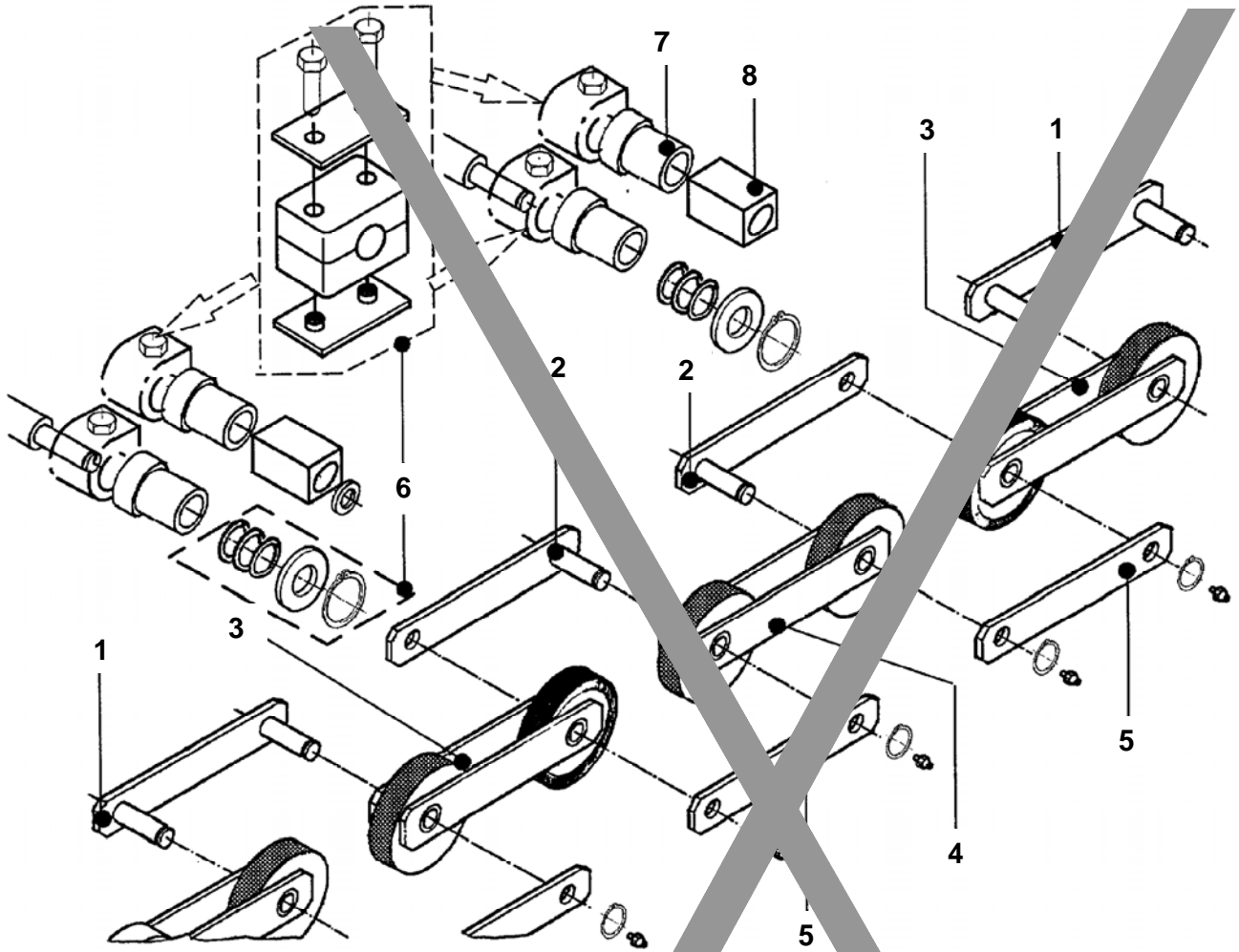
VINTAGE G.01			
REF. NO.	PART or ML	DESCRIPTION	
13	GO9704AK265	2-FOLD UNIT 32" / 600	INDOOR
14	GO9704AK266	2-FOLD UNIT 40" / 800	
15	GO9704AK268	2-FOLD UNIT 48" / 1000	
16	GO9704AK273	10-FOLD UNIT 32" / 600	
17	GO9704AK274	10-FOLD UNIT 40" / 800	
18	GO9704AK276	10-FOLD UNIT 48" / 1000	
19	GO9704AK269	2-FOLD UNIT 32" / 600	OUTDOOR
20	GO9704AK270	2-FOLD UNIT 40" / 800	
21	GO9704AK272	2-FOLD UNIT 48" / 1000	
22	GO9704AK277	10-FOLD UNIT 32" / 600	
23	GO9704AK278	10-FOLD UNIT 40" / 800	
24	GO9704AK280	10-FOLD UNIT 48" / 1000	
31	GO9704AK289	OFFSET LINK 32" / 600	INDOOR
32	GO9704AK290	OFFSET LINK 40" / 800	
33	GO9704AK292	OFFSET LINK 48" / 1000	
34	GO9704AK293	OFFSET LINK 32" / 600	OUTDOOR
35	GO9704AK294	OFFSET LINK 40" / 800	
36	GO9704AK296	OFFSET LINK 48" / 1000	

**ESCALATOR STEP CHAIN 510
Trav-O-Lator PALLET CHAIN 610**

54-GO9704AK

Nov. 2005 Page : 22/34

510 / 610 / GREASE LUBRICATED - BOLT Ø 20mm



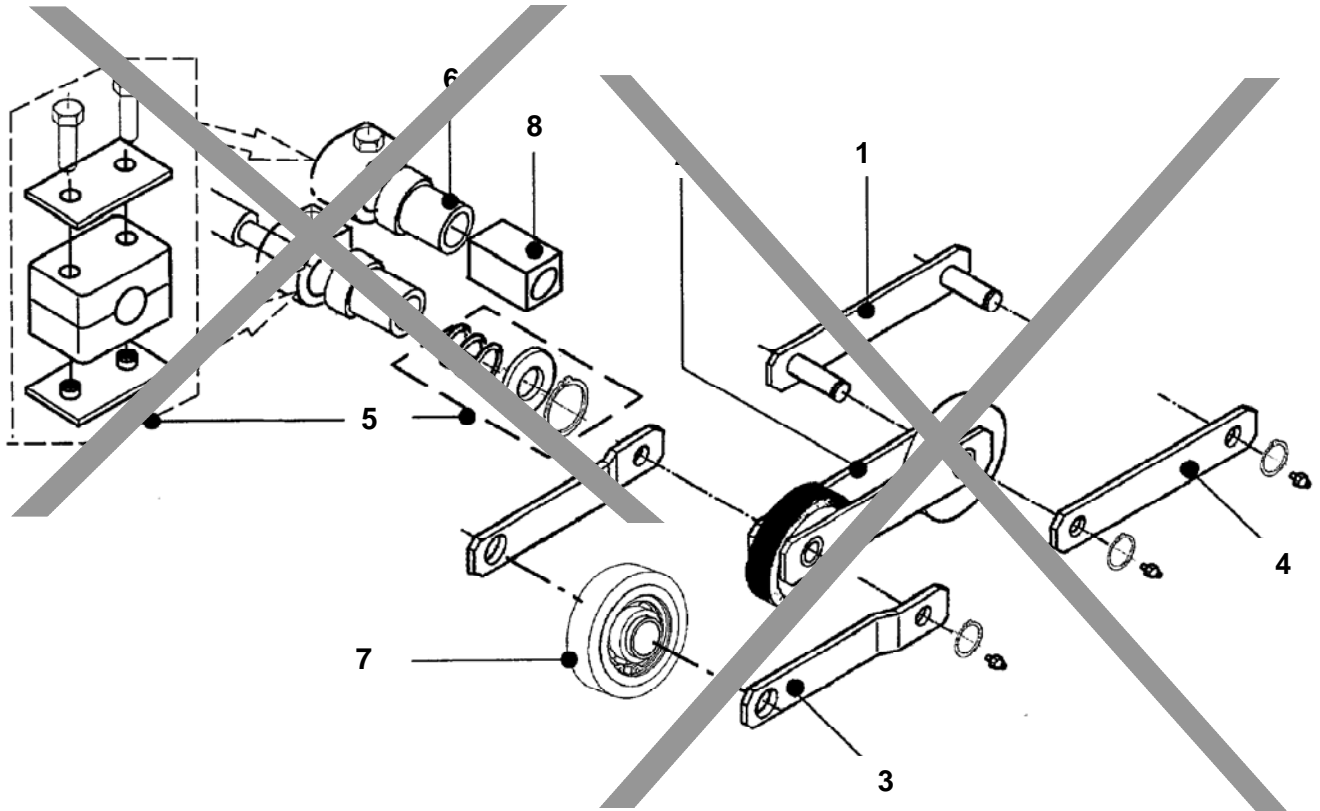
VINTAGE G.01			
REF. NO.	PART or ML	DESCRIPTION	
1	GO9704BH7	OUTER LINK WITH PINS & RETAINING RINGS	
2	GO9704BH8	OUTER LINK WITH PIN & RETAINING RING	
3	GO9704BG2 GOA9704BG2 ↻	INNER LINK WITH ROLLERS	
4	GO9704BF2	INNER LINK WITH ROLLERS	510 / 610
5	GO430DF3	OUTER LINK	
6	GO2215B69	HARDWARE	
7	GO210P1 GO210AG1 ↻	BUSHING	
8	GO210R1	BUSHING	610


**ESCALATOR STEP CHAIN 510
Trav-O-Lator PALLET CHAIN 610**

54-GO9704AK

Nov. 2005 Page : 23/34

510 / 610 / GREASE LUBRICATED - BOLT Ø 20mm



VINTAGE G.01		DESCRIPTION	
REF. NO.	PART or ML	DESCRIPTION	
4	GO9704BH7	OUTER LINK WITH PINS & RETAINING RINGS	510 / 610
2	GO9704BG2 GOA9704BG2 ↷	INNER LINK WITH ROLLERS	
3	GO430DF8	CONNECTING LINK	
4	GO430DF3	OUTER LINK	
5	GO2215B69	HARDWARE	
6	GO210P4 GO210AG4 ↷	BUSHING	
7	GO290AJ3	ROLLER  G..9704AK	610
8	GO210R4	BUSHING	

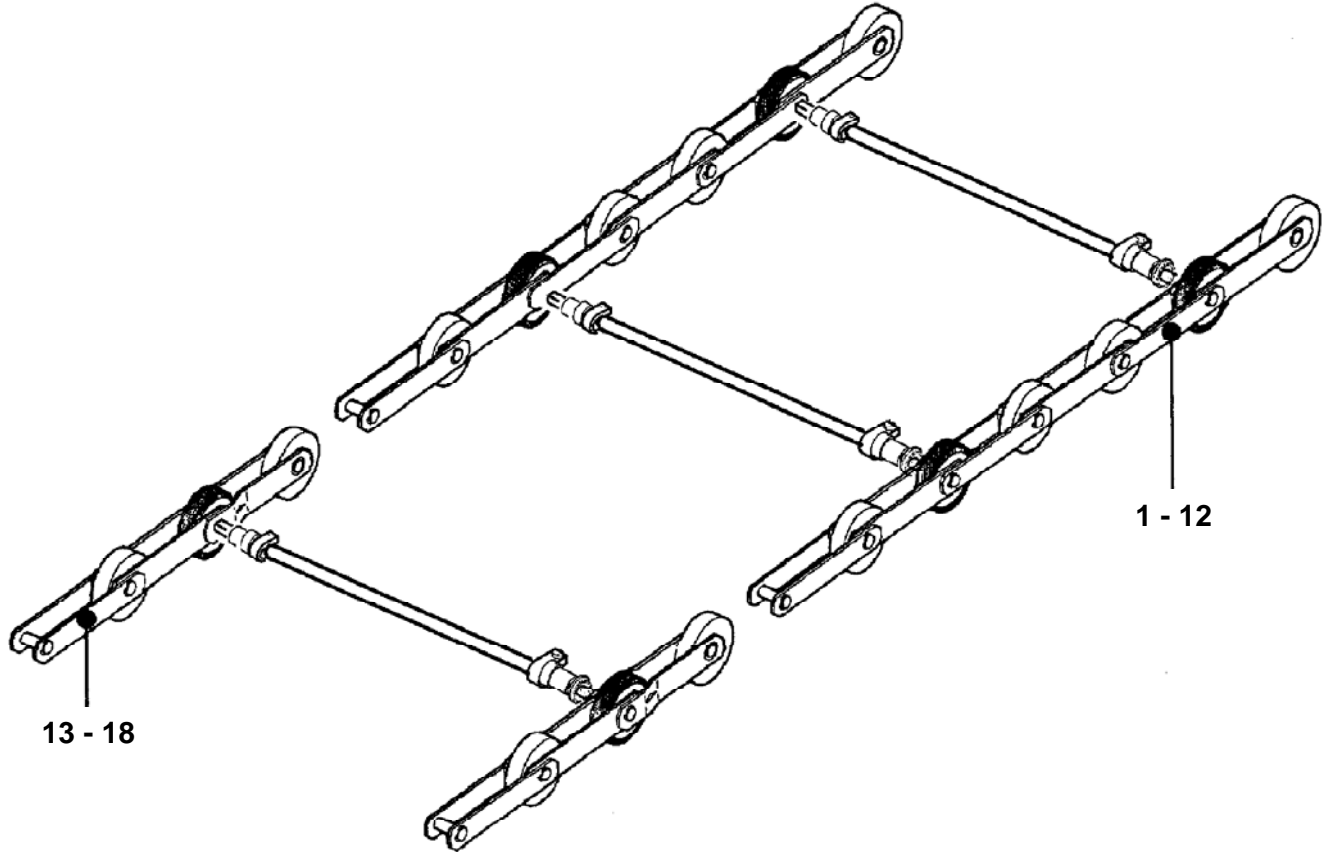
ESCALATOR STEP CHAIN 510
Trav-O-Lator PALLET CHAIN 610

54-GO9704AK

Nov. 2005

Page : 24/34

510 / OIL LUBRICATED - BOLT Ø 25mm



ESCALATOR STEP CHAIN 510

Trav-O-Lator PALLET CHAIN 610

54-GO9704AK

Nov. 2005

Page : 25/34

510 / OIL LUBRICATED - BOLT Ø 25mm

VINTAGE G.01

REF. NO.	PART or ML	DESCRIPTION	
1	GO9704AK97 GBA26150AL1	2-FOLD UNIT 32" / 600	INDOOR
2	GO9704AK98 GBA26150AL2	2-FOLD UNIT 40" / 800	
3	GO9704AK100 GBA26150AL3	2-FOLD UNIT 48" / 1000	
4	GO9704AK105 GBA26150AL4	10-FOLD UNIT 32" / 600	
5	GO9704AK106 GBA26150AL5	10-FOLD UNIT 40" / 800	
6	GO9704AK108 GBA26150AL6	10-FOLD UNIT 48" / 1000	
7	GO9704AK101 GBA26150AL10	2-FOLD UNIT 32" / 600	OUTDOOR
8	GO9704AK102 GBA26150AL11	2-FOLD UNIT 40" / 800	
9	GO9704AK104 GBA26150AL12	2-FOLD UNIT 48" / 1000	
10	GO9704AK109 GBA26150AL13	10-FOLD UNIT 32" / 600	
11	GO9704AK110 GBA26150AL14	10-FOLD UNIT 40" / 800	
12	GO9704AK112 GBA26150AL15	10-FOLD UNIT 48" / 1000	
13	GO9704AK129 GBA26150AL7	OFFSET LINK 32" / 600	INDOOR
14	GO9704AK130 GBA26150AL8	OFFSET LINK 40" / 800	
15	GO9704AK132 GBA26150AL9	OFFSET LINK 48" / 1000	
16	GO9704AK133 GBA26150AL16	OFFSET LINK 32" / 600	OUTDOOR
17	GO9704AK134 GBA26150AL17	OFFSET LINK 40" / 800	
18	GO9704AK136 GBA26150AL18	OFFSET LINK 48" / 1000	

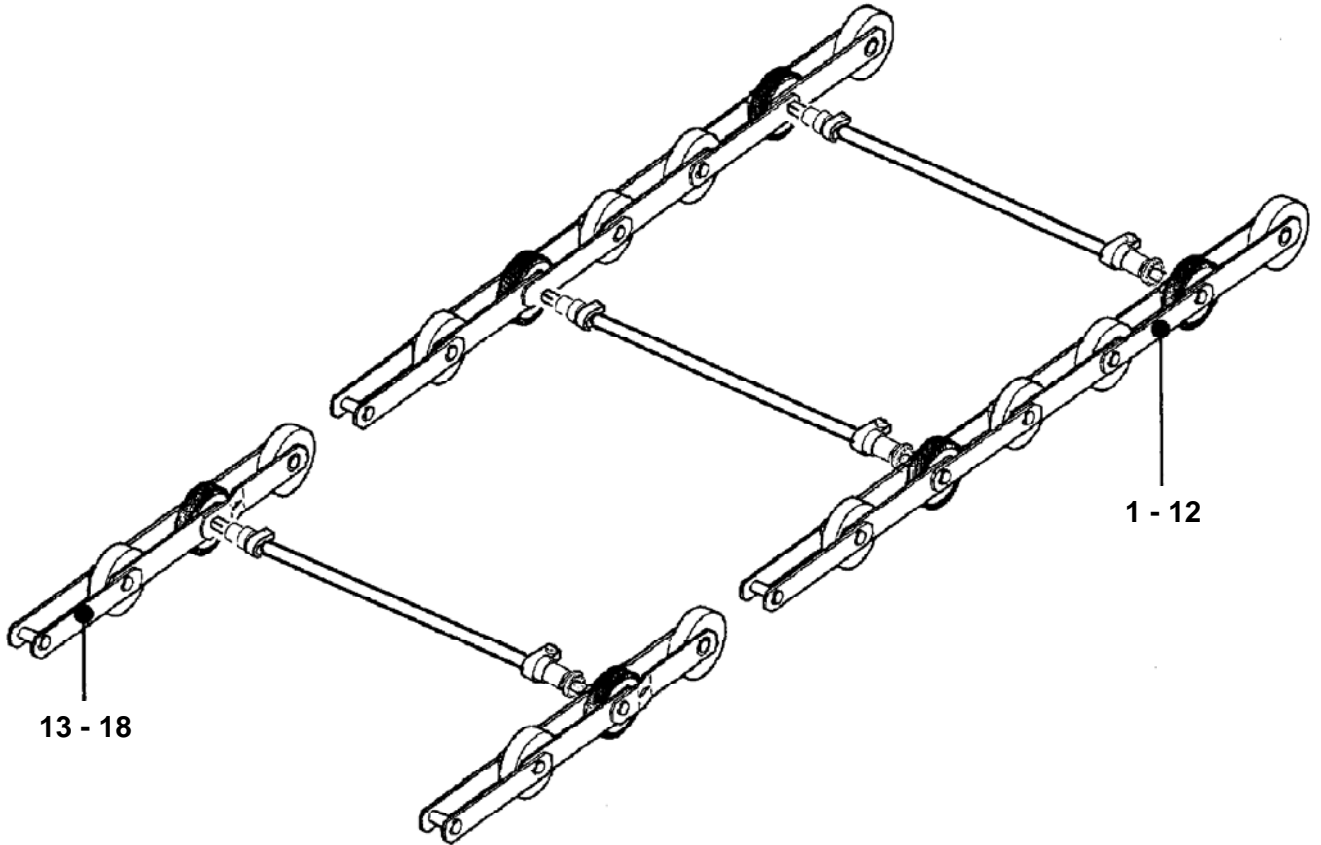
ESCALATOR STEP CHAIN 510
Trav-O-Lator PALLET CHAIN 610

54-GO9704AK

Nov. 2005

Page : 26/34

610 / OIL LUBRICATED - BOLT Ø 25mm



ESCALATOR STEP CHAIN 510

Trav-O-Lator PALLET CHAIN 610












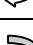






54-GO9704AK

Nov. 2005

Page : 27/34

610 / OIL LUBRICATED - BOLT Ø 25mm

VINTAGE G.01

REF. NO.	PART or ML	DESCRIPTION	
1	GO9704AK297 GBA26350S1 	2-FOLD UNIT 32" / 600	INDOOR
2	GO9704AK298 GBA26350S2 	2-FOLD UNIT 40" / 800	
3	GO9704AK300 GBA26350S3 	2-FOLD UNIT 48" / 1000	
4	GO9704AK305 GBA26350S4 	10-FOLD UNIT 32" / 600	
5	GO9704AK306 GBA26350S5 	10-FOLD UNIT 40" / 800	
6	GO9704AK308 GBA26350S6 	10-FOLD UNIT 48" / 1000	
7	GO9704AK301 GBA26350S10 	2-FOLD UNIT 32" / 600	OUTDOOR
8	GO9704AK302 GBA26350S11 	2-FOLD UNIT 40" / 800	
9	GO9704AK304 GBA26350S12 	2-FOLD UNIT 48" / 1000	
10	GO9704AK309 GBA26350S13 	10-FOLD UNIT 32" / 600	
11	GO9704AK310 GBA26350S14 	10-FOLD UNIT 40" / 800	
12	GO9704AK312 GBA26350S15 	10-FOLD UNIT 48" / 1000	
13	GO9704AK329 GBA26350S7 	OFFSET LINK 32" / 600	INDOOR
14	GO9704AK330 GBA26350S8 	OFFSET LINK 40" / 800	
15	GO9704AK332 GBA26350S9 	OFFSET LINK 48" / 1000	
16	GO9704AK333 GBA26350S16 	OFFSET LINK 32" / 600	OUTDOOR
17	GO9704AK334 GBA26350S17 	OFFSET LINK 40" / 800	
18	GO9704AK336 GBA26350S18 	OFFSET LINK 48" / 1000	

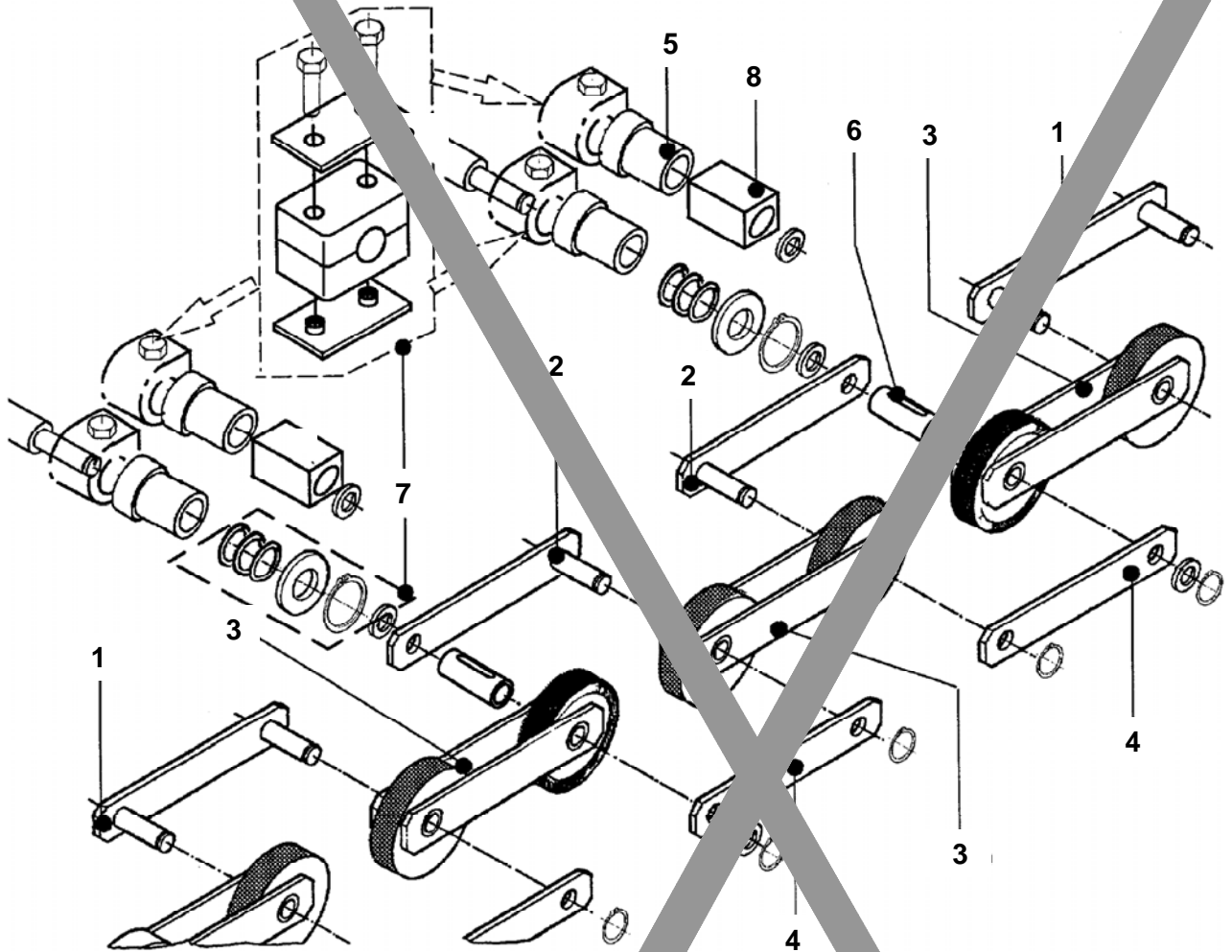
**ESCALATOR STEP CHAIN 510
Trav-O-Lator PALLET CHAIN 610**

54-GO9704AK

Nov. 2005 Page : 28/34

 Pages 24&26

510 / 610 / OIL LUBRICATED - BOLT Ø 25mm

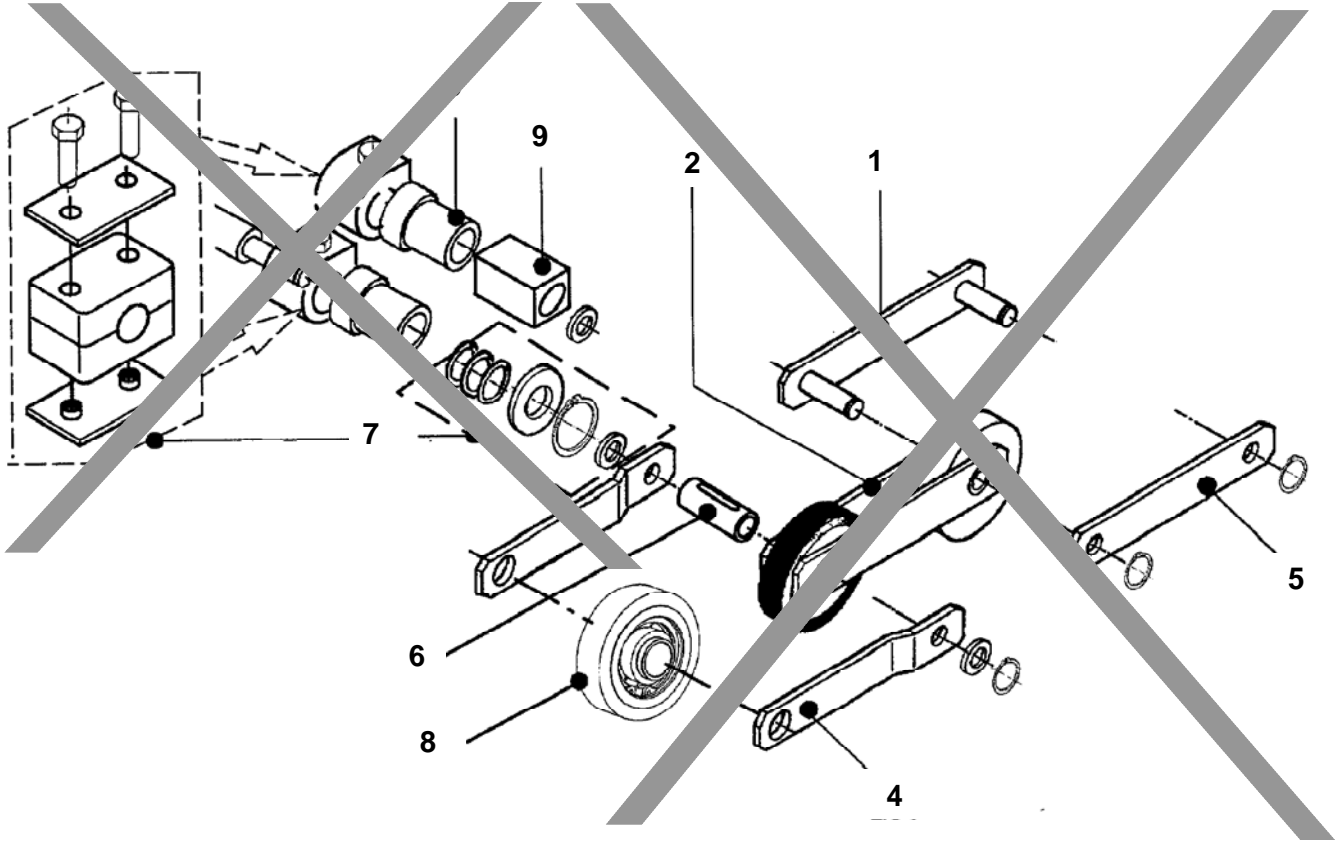













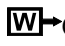


VINTAGE G.01			
REF. NO.	PART or ML	DESCRIPTION	
1	GO9704BH9	OUTER LINK WITH PINS & RETAINING RINGS	510 / 610
2	GO9704BM1	OUTER LINK WITH PIN & RETAINING RING	
3	GO9704BP1 GOA9704BP1 ↻	INNER LINK WITH ROLLERS	
4	GO430DF5	OUTER LINK	
5	GO210P1 ↻ GO210AG1 ↻	BUSHING	
6	GO321ES1 ↻ GO321ES2 ↻	BUSHING	
7	GO2215B69	HARDWARE	
8	GO210R1	BUSHING	

ESCALATOR STEP CHAIN 510
Trav-O-Lator PALLET CHAIN 610

54-GO9704AK
 Nov. 2005 Page : 29/34

510 / 610 / OIL LUBRICATED - BOLT Ø 25mm



VINTAGE G.01		
REF. NO.	PART or ML	DESCRIPTION
1	GO9704BH0	OUTER LINK WITH PINS & RETAINING RINGS  Pages 24&26
2	GO9704BP4 GOA9704BP4 	INNER LINK WITH ROLLERS  Pages 24&26
3	GO240P4 GO240AG4 	BUSHING  Pages 24&26
4	GO430DF9	CONNECTING LINK  Pages 24&26
5	GO430DF5	OUTER LINK  Pages 24&26
6	GO324ES4 GO324ES2 	BUSHING  Pages 24&26
7	GO2245B69	HARDWARE  Pages 24&26
8	GO290AD5 GAA290CB3 	ROLLER   G..9704AK
9	GO240R4	BUSHING  Pages 24&26

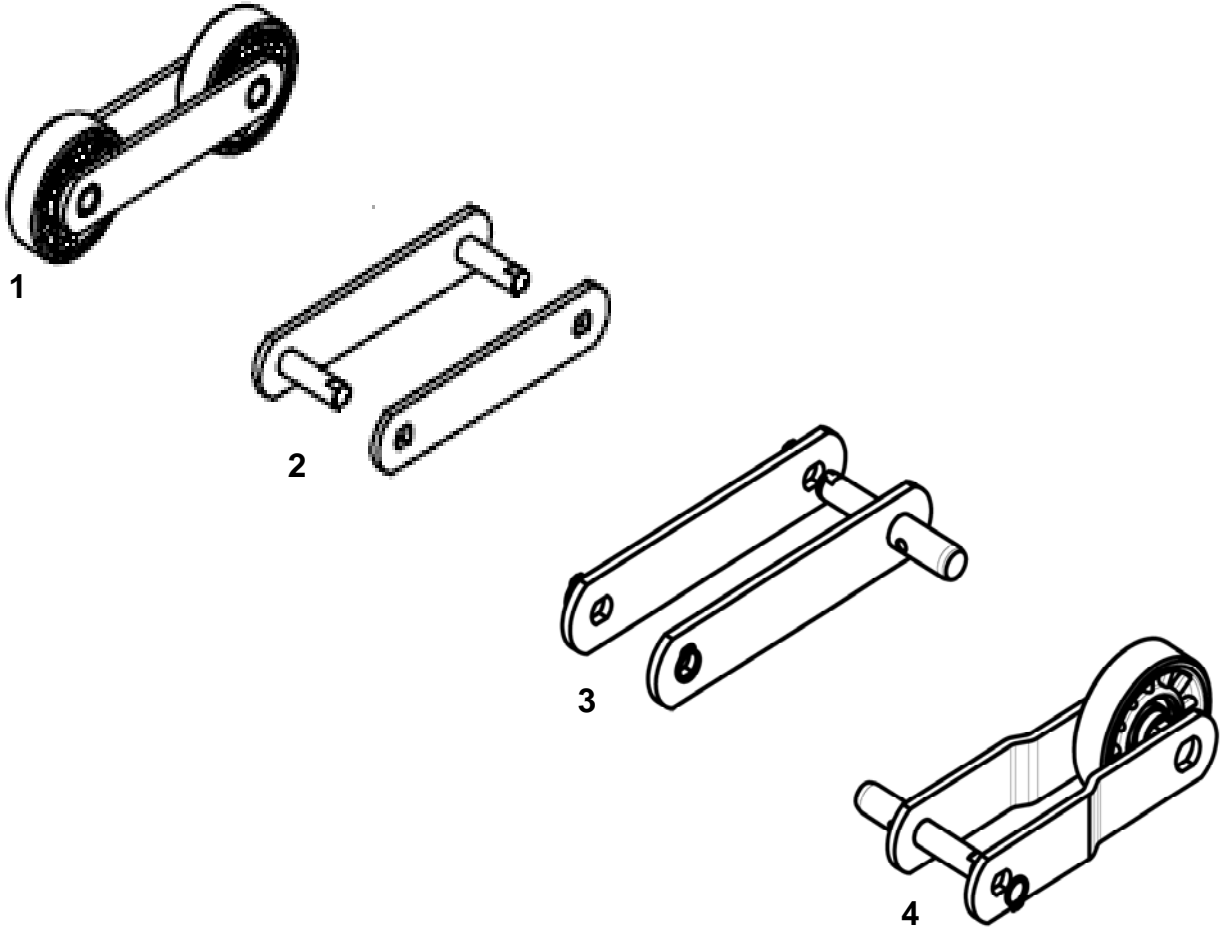
ESCALATOR STEP CHAIN 510
Trav-O-Lator PALLET CHAIN 610

54-GO9704AK

Nov. 2005

Page : 30/34

510 / 610 / OIL LUBRICATED - BOLT Ø 25mm



W → G..26150AL/G..26350S

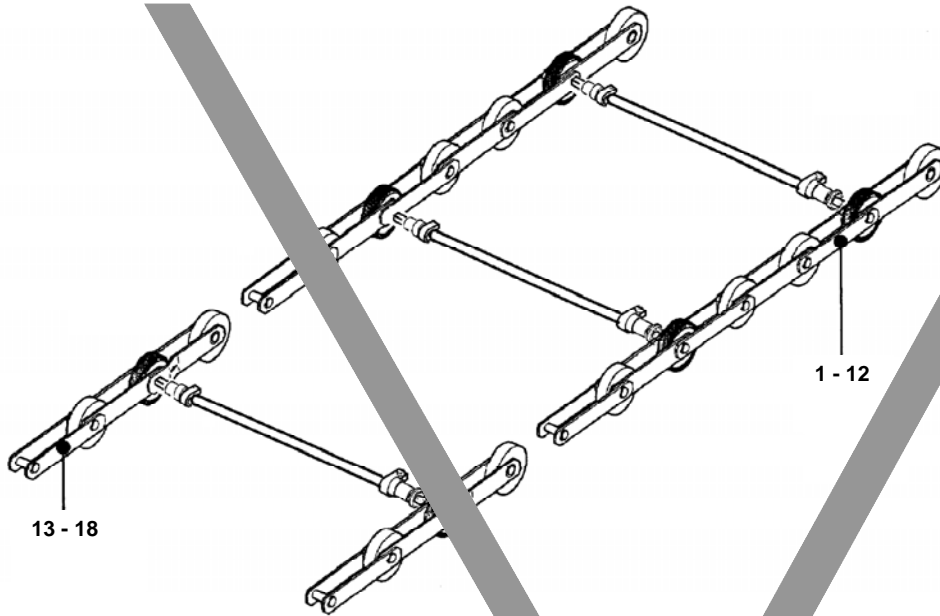
VINTAGE G.01		
REF. NO.	PART or ML	DESCRIPTION
1	GBA26150AE19	INNER LINK COMPLETE
2	GBA26150AE20	OUTER LINK COMPLETE
3	GBA26150AE21	OUTER LINK AXLE
4	GBA26150AE23	OFF SET LINK

**ESCALATOR STEP CHAIN 510
Trav-O-Lator PALLET CHAIN 610**

54-GO9704AK

Nov. 2005 Page : 31/34

510 / GREASE LUBRICATED - BOLT Ø 25mm



VINTAGE G.01		
REF. NO.	PART or ML	DESCRIPTION
1	GO9704AK113	2-FOLD UNIT 32" / 600
2	GO9704AK114	2-FOLD UNIT 40" / 800
3	GO9704AK116	2-FOLD UNIT 48" / 1000
4	GO9704AK121	10-FOLD UNIT 32" / 600
5	GO9704AK122	10-FOLD UNIT 40" / 800
6	GO9704AK124	10-FOLD UNIT 48" / 1000
7	GO9704AK117	2-FOLD UNIT 32" / 600
8	GO9704AK118	2-FOLD UNIT 40" / 800
9	GO9704AK120	2-FOLD UNIT 48" / 1000
10	GO9704AK125	10-FOLD UNIT 32" / 600
11	GO9704AK126	10-FOLD UNIT 40" / 800
12	GO9704AK128	10-FOLD UNIT 48" / 1000
13	GO9704AK137	OFFSET LINK 32" / 600
14	GO9704AK138	OFFSET LINK 40" / 800
15	GO9704AK140	OFFSET LINK 48" / 1000
16	GO9704AK141	OFFSET LINK 32" / 600
17	GO9704AK142	OFFSET LINK 40" / 800
18	GO9704AK144	OFFSET LINK 48" / 1000

510 INDOOR

510 OUTDOOR

510 INDOOR

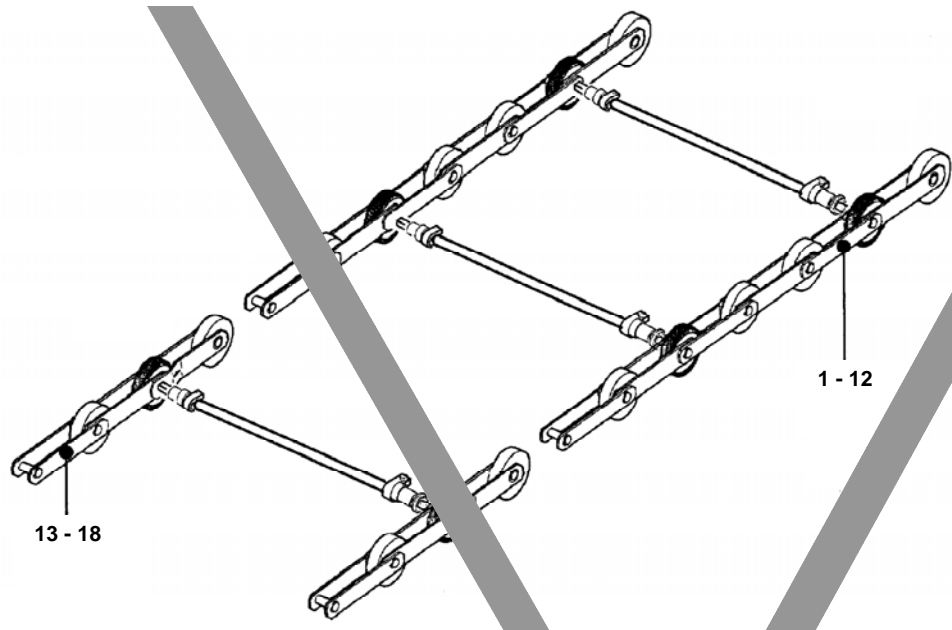
510 OUTDOOR

ESCALATOR STEP CHAIN 510
Trav-O-Lator PALLET CHAIN 610

54-GO9704AK

Nov. 2005 Page : 32/34

610 / GREASE LUBRICATED - BOLT Ø 25mm



VINTAGE G.01		
REF. NO.	PART or ML	DESCRIPTION
13	GO9704AK313	2-FOLD UNIT 32" / 600
14	GO9704AK314	2-FOLD UNIT 40" / 800
15	GO9704AK316	2-FOLD UNIT 48" / 1000
16	GO9704AK321	10-FOLD UNIT 32" / 600
17	GO9704AK322	10-FOLD UNIT 40" / 800
18	GO9704AK324	10-FOLD UNIT 48" / 1000
19	GO9704AK317	2-FOLD UNIT 32" / 600
20	GO9704AK318	2-FOLD UNIT 40" / 800
21	GO9704AK320	2-FOLD UNIT 48" / 1000
22	GO9704AK325	10-FOLD UNIT 32" / 600
23	GO9704AK326	10-FOLD UNIT 40" / 800
24	GO9704AK328	10-FOLD UNIT 48" / 1000
31	GO9704AK337	OFFSET LINK 32" / 600
32	GO9704AK338	OFFSET LINK 40" / 800
33	GO9704AK340	OFFSET LINK 48" / 1000
34	GO9704AK341	OFFSET LINK 32" / 600
35	GO9704AK342	OFFSET LINK 40" / 800
36	GO9704AK344	OFFSET LINK 48" / 1000

610 INDOOR

610 OUTDOOR

610 INDOOR

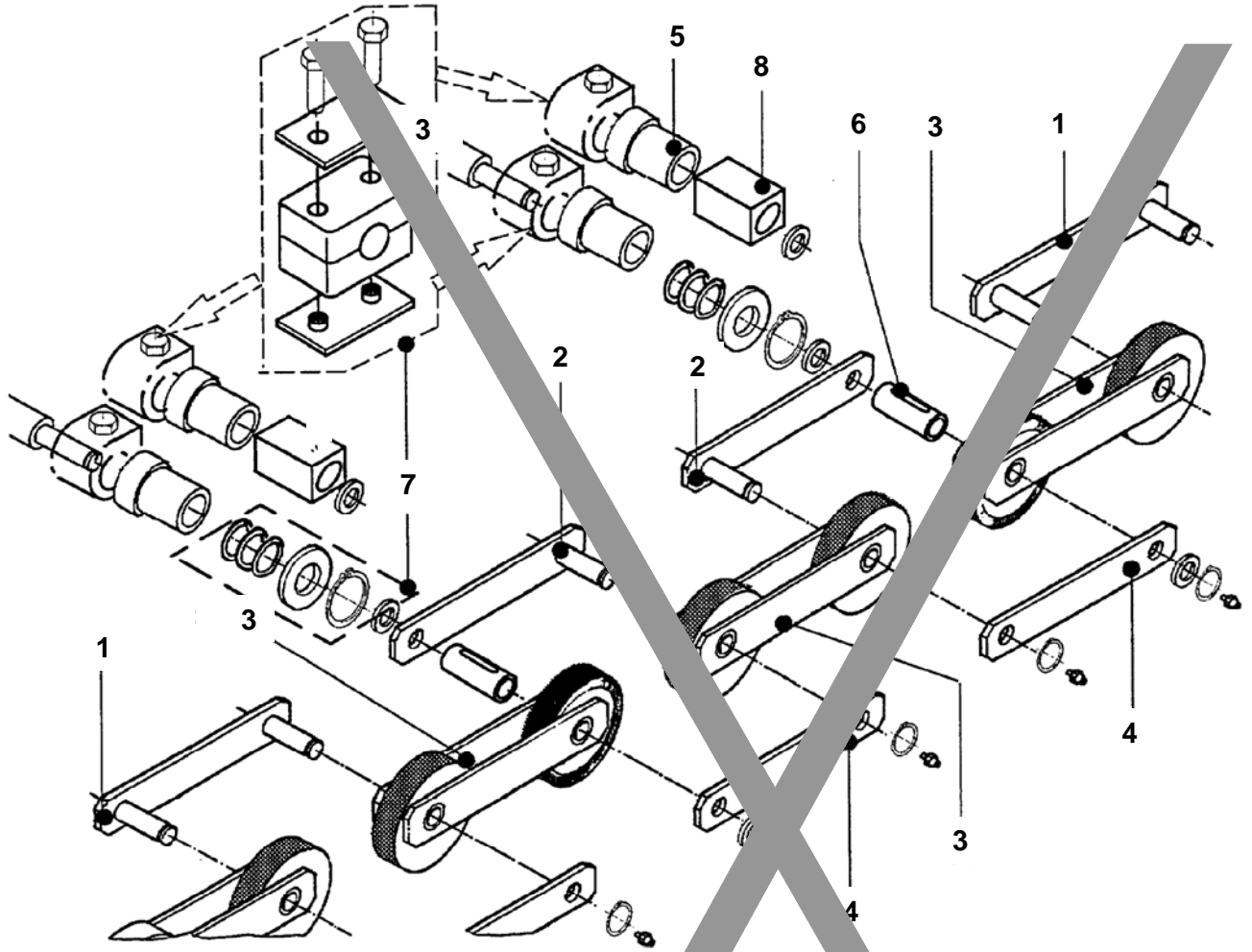
610 OUTDOOR

**ESCALATOR STEP CHAIN 510
Trav-O-Lator PALLET CHAIN 610**

54-GO9704AK

Nov. 2005 Page : 33/34

510 / 610 / GREASE LUBRICATED - BOLT Ø 25mm



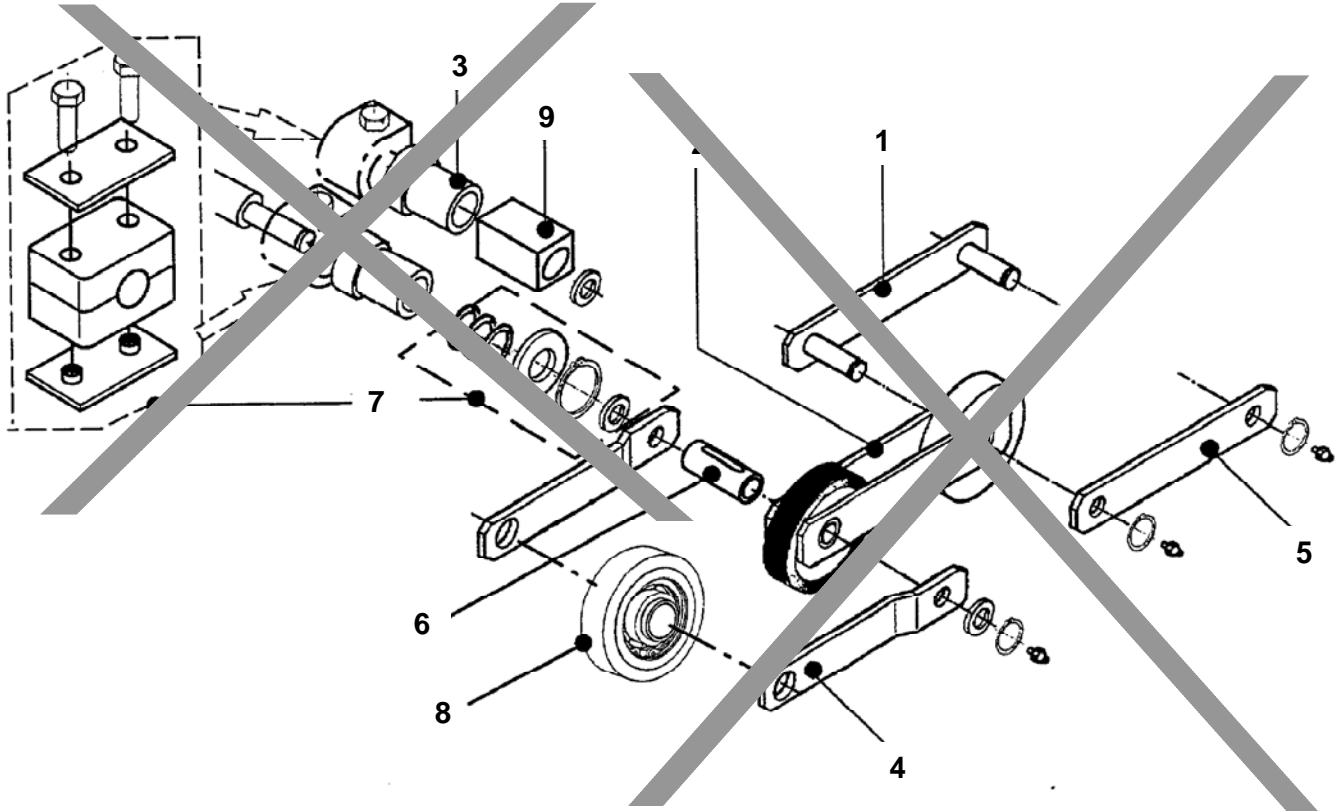
VINTAGE G.01			
REF. NO.	PART or ML	DESCRIPTION	
1	GO9704BH10	OUTER LINK WITH PINS & RETAINING RINGS	
2	GO9704BM2	OUTER LINK WITH PIN & RETAINING RING	
3	GO9704BP1 GOA9704BP1	INNER LINK WITH ROLLERS	
4	GO430DF5	OUTER LINK	510 / 610
5	GO210P1 GO210AG1	BUSHING	
6	GO321ES1 GO321ES2	BUSHING	
7	GO2215B69	HARDWARE	
8	GO210R1	BUSHING	610


**ESCALATOR STEP CHAIN 510
Trav-O-Lator PALLET CHAIN 610**

54-GO9704AK

Nov. 2005 Page : 34/34

510 / 610 / GREASE LUBRICATED - BOLT Ø 25mm



VINTAGE G.01			
REF. NO.	PART or ML	DESCRIPTION	
1	GO9704BH10	OUTER LINK WITH PINS & RETAINING RINGS	510 / 610
2	GO9704BP4 GOA9704BP4 ↻	INNER LINK WITH ROLLERS	
3	GO210P4 ↻ GO210AG4 ↻	BUSHING	
4	GO430DF9	CONNECTING LINK	
5	GO430DF5	OUTER LINK	
6	GO320ES4 ↻ GO320ES2 ↻	BUSHING	
7	GO2215B60	HARDWARE	
8	GO290AD5 ↻ GAA290CB3 ↻	ROLLER  G..9704AK	
9	GO210R4	BUSHING	