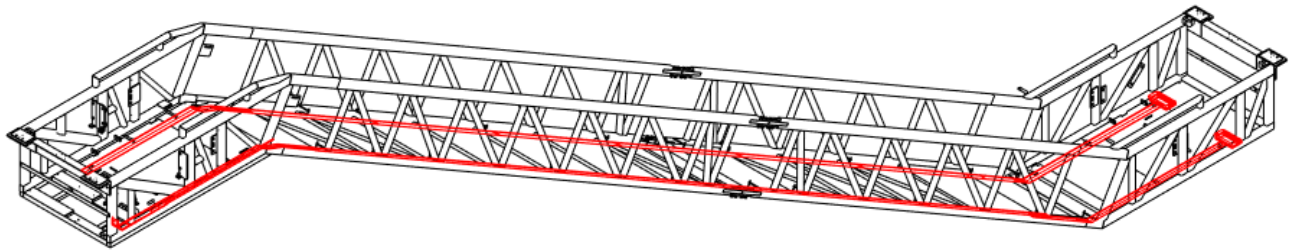


ESCALATOR OIL COLLECTION

Spare Parts Leaflet

54 - HE0007B

12/12/2019 / Page 1 of 6



Unpublished Work—© Otis Elevator Co.;

OTIS

Safety First!

ESCALATOR ENGINEERING
Otis Elevator Company
OTIS ENGINEERING CHINA
ESCALATOR

**ESCALATOR
54 - HE0007B**

History

Leaflet Description

Oil Collection

Leaflet Revisions

Date Revised	Subject Matter Expert	Reason for Revision
May 26, 2019	Zheng Xinjin	New SPL (CN NO.: CNT1900819)
DEC12,2019	Cai Yongchao	Add ansi configuration

Related Drawings

Drawing No.	Title	Drawing No.	Title
HAA437M	OIL COLLECTION PAN	XAA285BG	COVER
HAA508F	UPPER LANDING OIL PAN	HAA308BX	OIL TANK
HAA508G	LOWER LANDING OIL PAN	XAA386DE	PLATE
HAA508D	RESERVOIR	XAA90A	SPRING
Document ID	Title		
HE0007B	ODS - OIL COLLECTION		

Subject Matter Expert

Name	Department
Zheng Xinjin	SIT

About Spare Parts Leaflets...

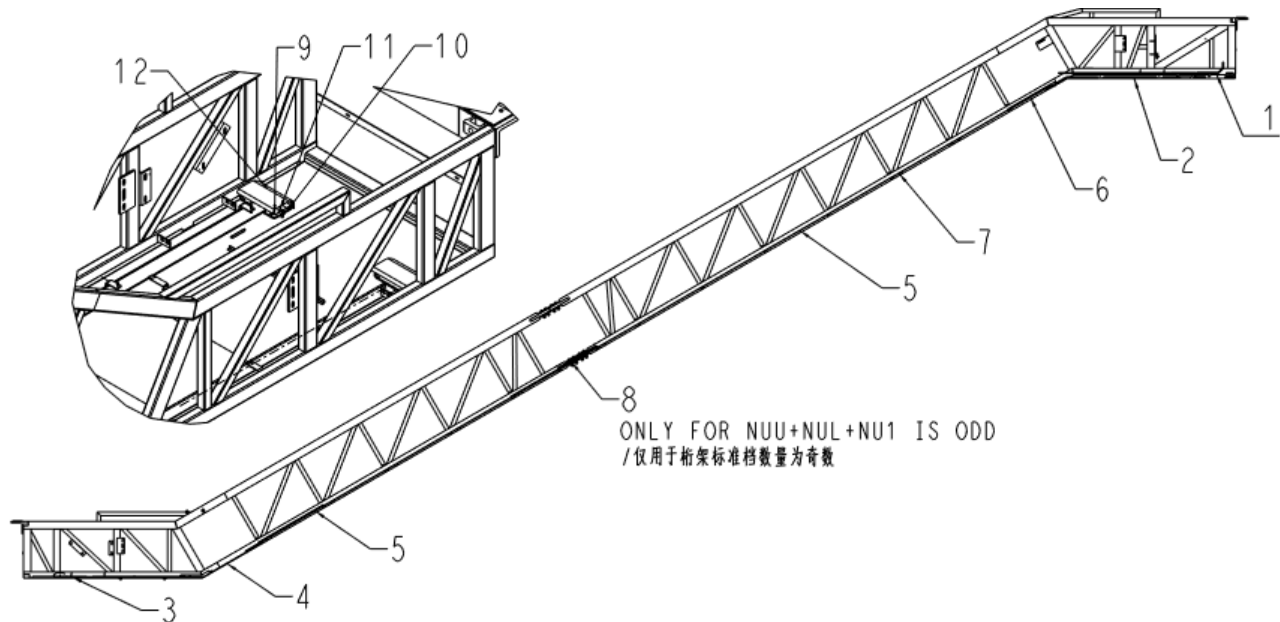
This document lists the lowest replaceable units (LRUs) for the standard version of the product. The LRUs are chosen by a team of Otis associates representing engineering and manufacturing.

While goal of this document is to make parts identification as easy as possible, the document cannot be all-inclusive. Elevator and escalator contracts classified as "special" or "custom" are not addressed here. For such contracts, please refer to specified information, the contract folder, TIPs, Field Education Articles, Construction Letters, etc. for further information.

If you have any suggestions about this document, please contact the subject matter expert listed on this page.

ESCALATOR OIL COLLECTION

Spare Parts Leaflet
54 - HE0007B

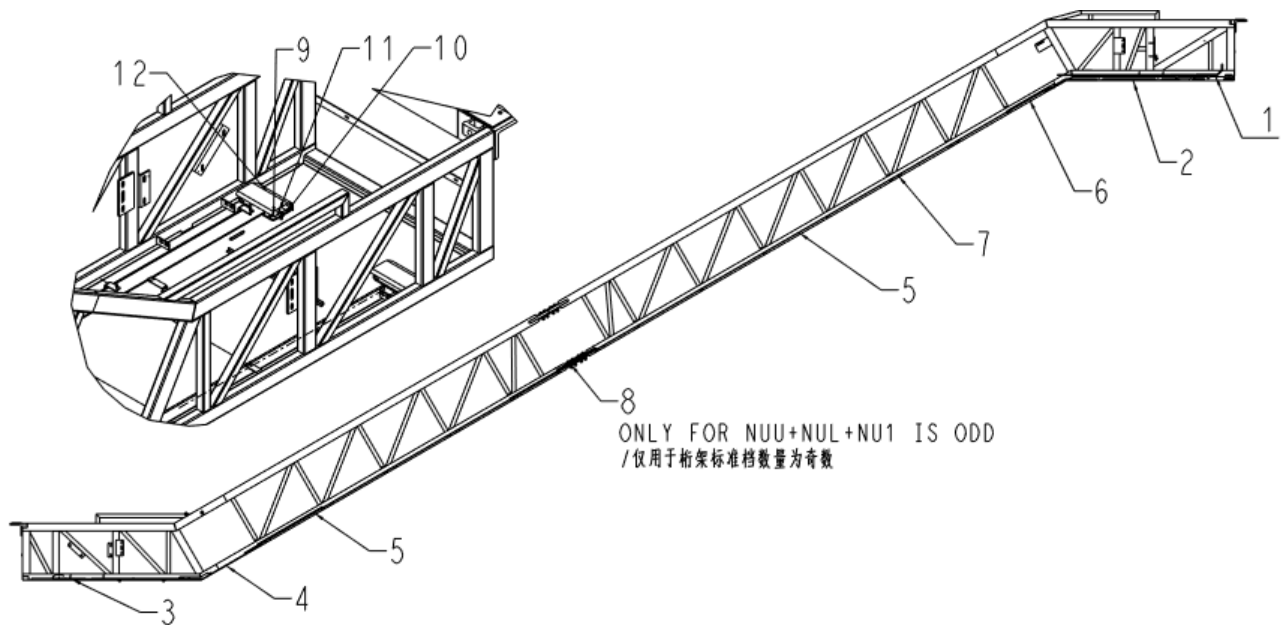


ONLY FOR NUU+NUL+NU1 IS ODD
/ 仅用于桁架标准档数量为奇数

REF. No.	PART No.	DESCRIPTION
1	HAA437M3	OIL COLLECTION PAN , 3 flat step
	HAA437M4	OIL COLLECTION PAN , 2 flat step

ESCALATOR OIL COLLECTION

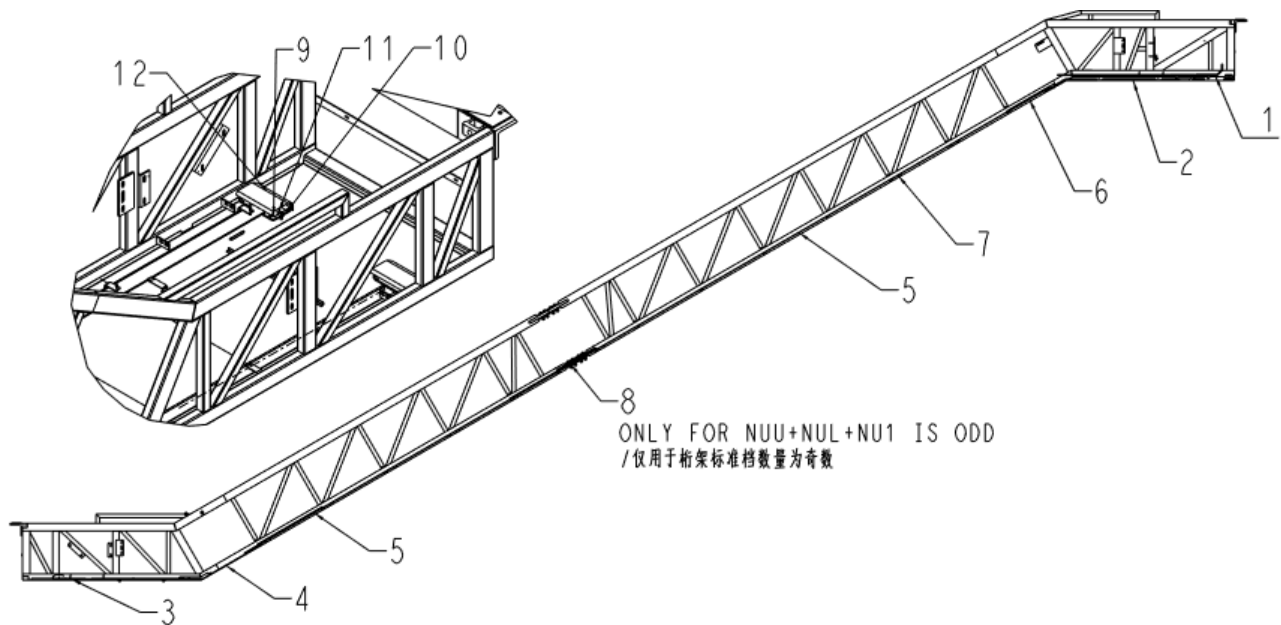
Spare Parts Leaflet 54 - HE0007B



HE0007B					
REF. No.	PART No.	MACHINE TYPE	MACHINE POWER	INCL I	DESCRIPTION
2	HAA508F20	EC2_7	all	30	UPPER LANDING OIL PAN, 2 flat step
	HAA508F21	EC2_7	all	30	UPPER LANDING OIL PAN, 3 flat step
	HAA508F22	EC2_7	all	35	UPPER LANDING OIL PAN, 2 flat step
	HAA508F23	EC2_7	all	35	UPPER LANDING OIL PAN, 3 flat step
	HAA508F29	EC2_7	all	30	UPPER LANDING OIL PAN, 2 flat step ONLY FOR ANSI & ANSI_NY
	HAA508F20	EMC-W1	7.5,7.51,9	30	UPPER LANDING OIL PAN, 2 flat step
	HAA508F21	EMC-W1	7.5,7.51,9	30	UPPER LANDING OIL PAN, 3 flat step
	HAA508F22	EMC-W1	7.5,7.51,9	35	UPPER LANDING OIL PAN, 2 flat step
	HAA508F23	EMC-W1	7.5,7.51,9	35	UPPER LANDING OIL PAN, 3 flat step
	HAA508F29	EMC-W1	7.5,7.51,9	30	UPPER LANDING OIL PAN, 2 flat step ONLY FOR ANSI & ANSI_NY
	HAA508F24	EMC-W1	9.5,11,13,15	30	UPPER LANDING OIL PAN, 2 flat step
	HAA508F25	EMC-W1	9.5,11,13,15	30	UPPER LANDING OIL PAN, 3 flat step
	HAA508F26	EMC-W1	9.5,11,13,15	35	UPPER LANDING OIL PAN, 2 flat step
	HAA508F27	EMC-W1	9.5,11,13,15	35	UPPER LANDING OIL PAN, 3 flat step
HAA508F28	EMC-W1	9.5,11,13,15	30	UPPER LANDING OIL PAN, 2 flat step ONLY FOR ANSI & ANSI_NY	

ESCALATOR OIL COLLECTION

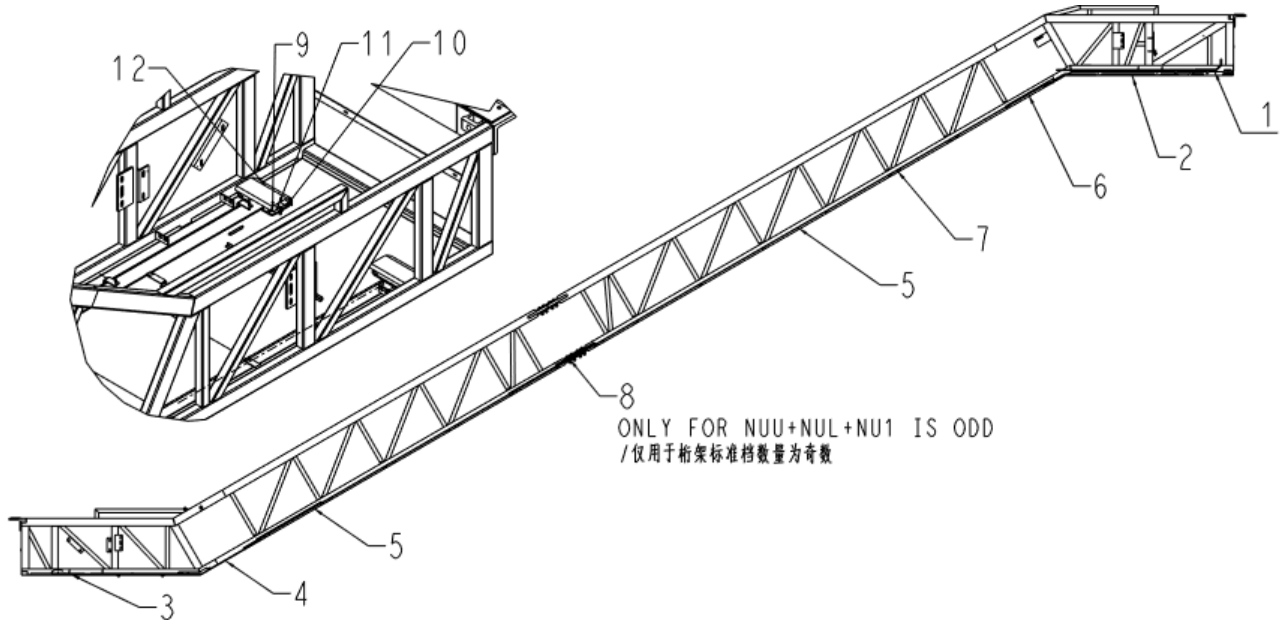
Spare Parts Leaflet 54 - HE0007B



HE0007B			
REF. No.	PART No.	INCLI	DESCRIPTION
3	HAA508G9	30	LOWER LANDING OIL PAN, 2 flat step
	HAA508G10	30	LOWER LANDING OIL PAN, 3 flat step
	HAA508G11	35	LOWER LANDING OIL PAN, 2 flat step
	HAA508G12	35	LOWER LANDING OIL PAN, 3 flat step
	HAA508G13	30	LOWER LANDING OIL PAN, 2 flat step ONLY FOR ANSI & ANSI_NY

ESCALATOR OIL COLLECTION

Spare Parts Leaflet 54 - HE0007B



HE0007B		
REF. No.	PART No.	DESCRIPTION
4	HAA508D14	RESERVOIR
5	HAA508D15	RESERVOIR
6	HAA508D17	RESERVOIR
7	HAA508D997	RESERVOIR
8	HAA508D16	RESERVOIR
9	HAA308BX1	OIL TANK
10	XAA90A1	SPRING
11	XAA386DE1	PLATE, INDOOR
	XAA386DE2	PLATE, OUTDOOR
12	XAA285BG1	COVER, INDOOR
	XAA285BG2	COVER, OUTDOOR